



US00D414746S

United States Patent [19] Rao

[11] **Patent Number: Des. 414,746**

[45] **Date of Patent: ** Oct. 5, 1999**

[54] **MINIATURE ROTARY ELECTRIC SWITCH**

[75] Inventor: **Chepur P. Rao**, North Kingstown, R.I.

[73] Assignee: **Tower Manufacturing Corporation**, Providence, R.I.

[**] Term: **14 Years**

[21] Appl. No.: **29/095,394**

[22] Filed: **Oct. 22, 1998**

[51] **LOC (6) Cl.** **13-03**

[52] **U.S. Cl.** **D13/158**

[58] **Field of Search** D13/158, 171,
D13/174, 184; 200/6 R, 11 R, 284, 293,
303, 544

[56] **References Cited**

U.S. PATENT DOCUMENTS

D. 199,026	9/1964	Rasor	D13/158
D. 387,331	12/1997	Wong	D13/158
2,813,158	11/1957	Hutt	200/284
4,016,387	4/1977	Aberer	200/303
4,665,464	5/1987	Vermeulen	361/293
5,072,078	12/1991	Rao et al.	200/11 R
5,728,982	3/1998	Rao et al.	200/6 R
5,750,947	5/1998	Rao et al.	200/6 R

OTHER PUBLICATIONS

tower Manufacturing Corporation, 3900 Series Rotary Switches Catalog Published before the filing date of this Application.

Tower Manufacturing Corporation, 3000 Series Rotary Snap Switches Catalog; Published before the filing date of this Application.

1 Sheet of Drawings of a Prior Art Switch Published before the file date of this Application.

Primary Examiner—Adir Aronovich

Attorney, Agent, or Firm—Kriegsman & Kriegsman

[57] **CLAIM**

The ornamental design for a miniature rotary electric switch, as shown and described.

DESCRIPTION

FIG. 1 is a perspective view taken from the top, rear and left side of a miniature rotary electric switch showing my new design;

FIG. 2 is a top plan view thereof;

FIG. 3 is a bottom plan view thereof;

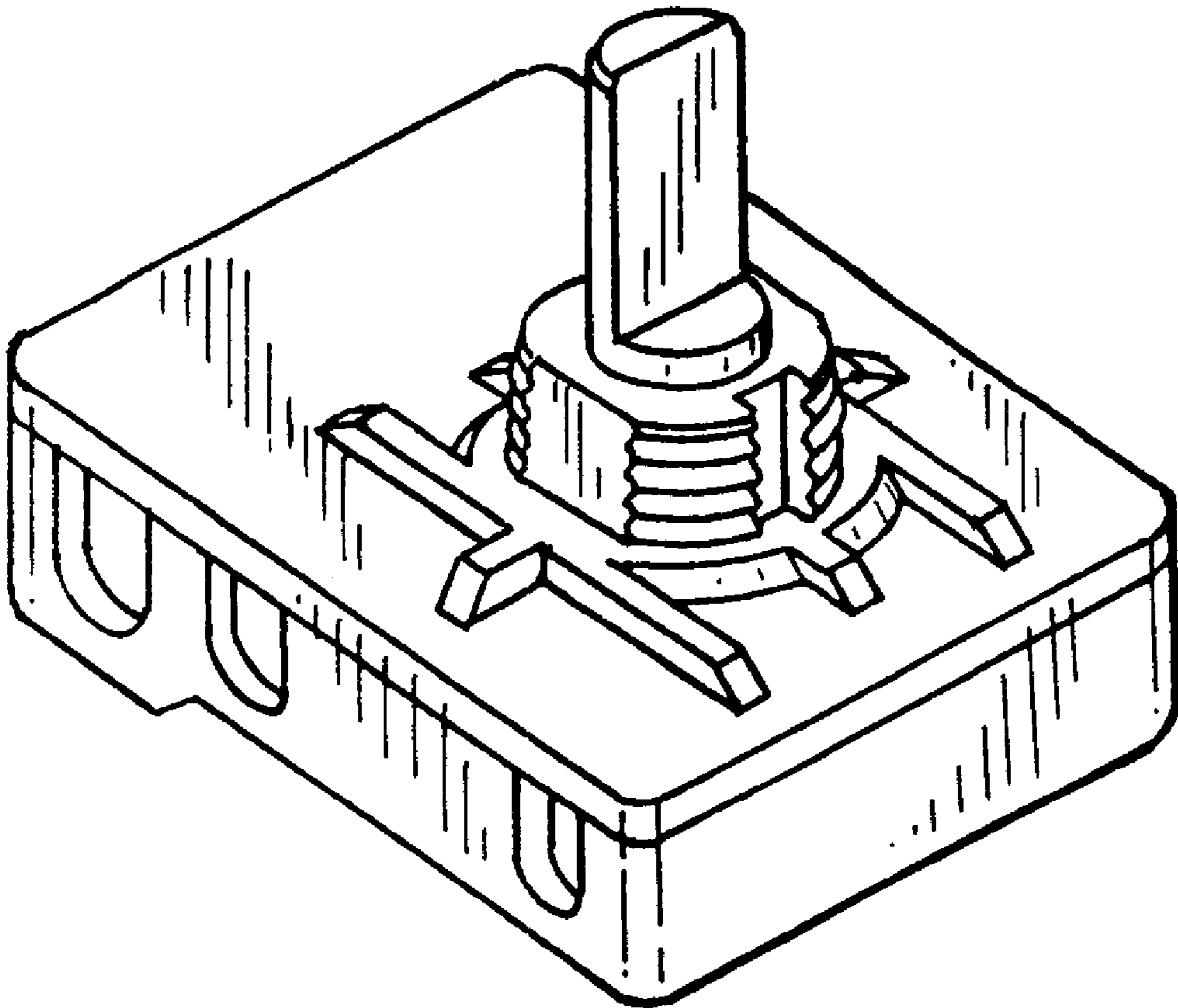
FIG. 4 is a rear elevational view thereof;

FIG. 5 is a right side view thereof;

FIG. 6 is a front elevational view thereof; and,

FIG. 7 is a left side view thereof.

1 Claim, 1 Drawing Sheet



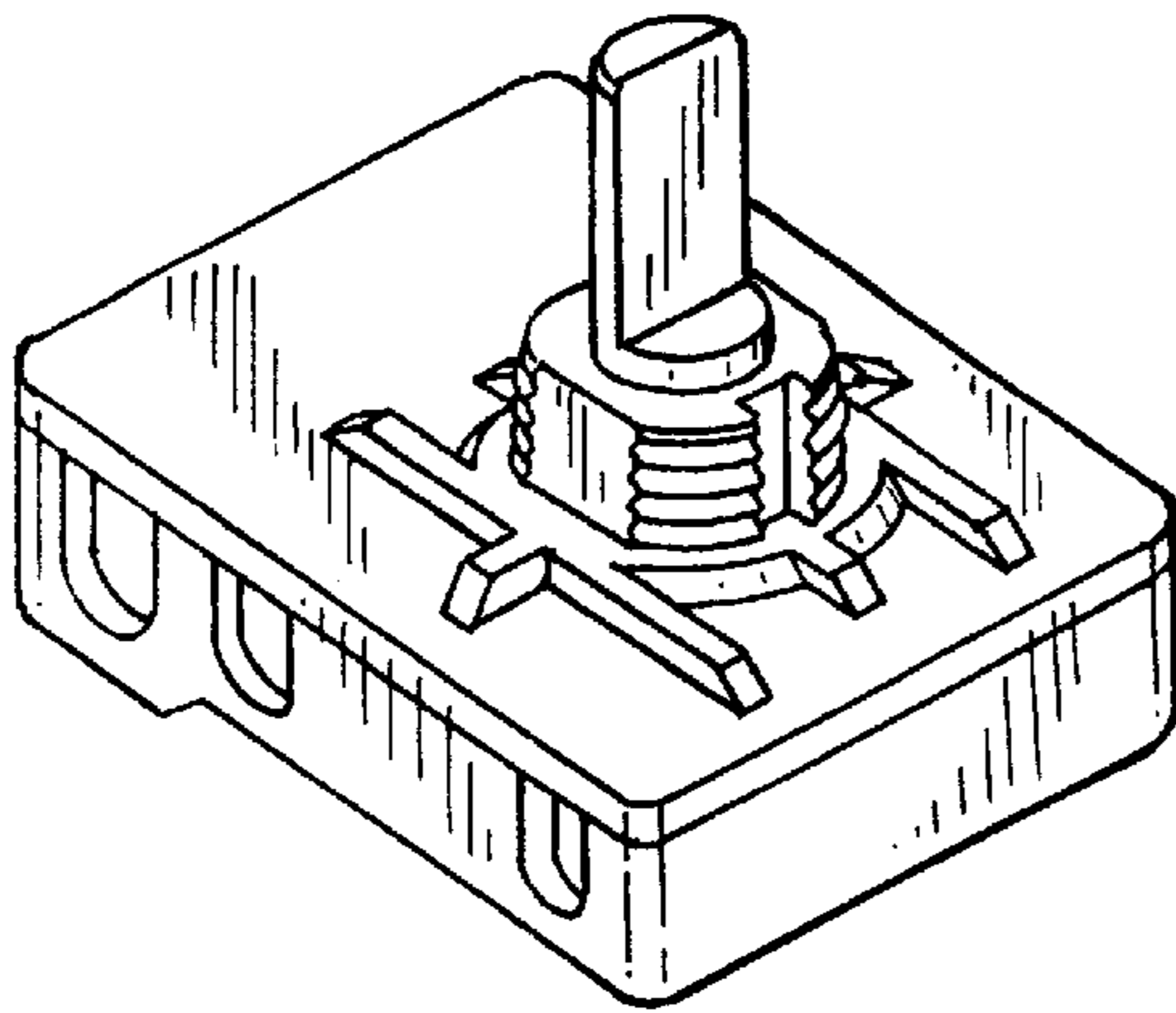


FIG. 1

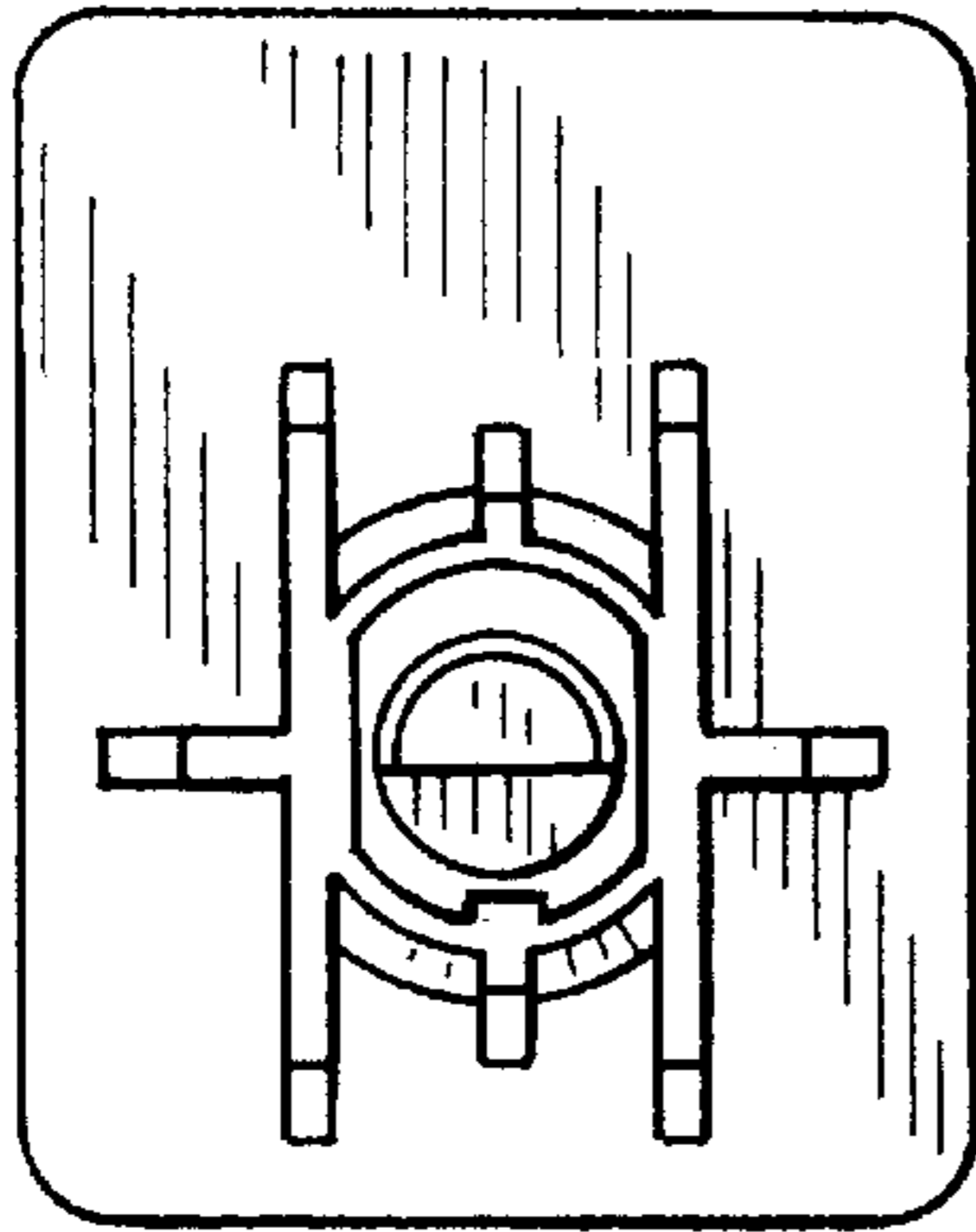


FIG. 2

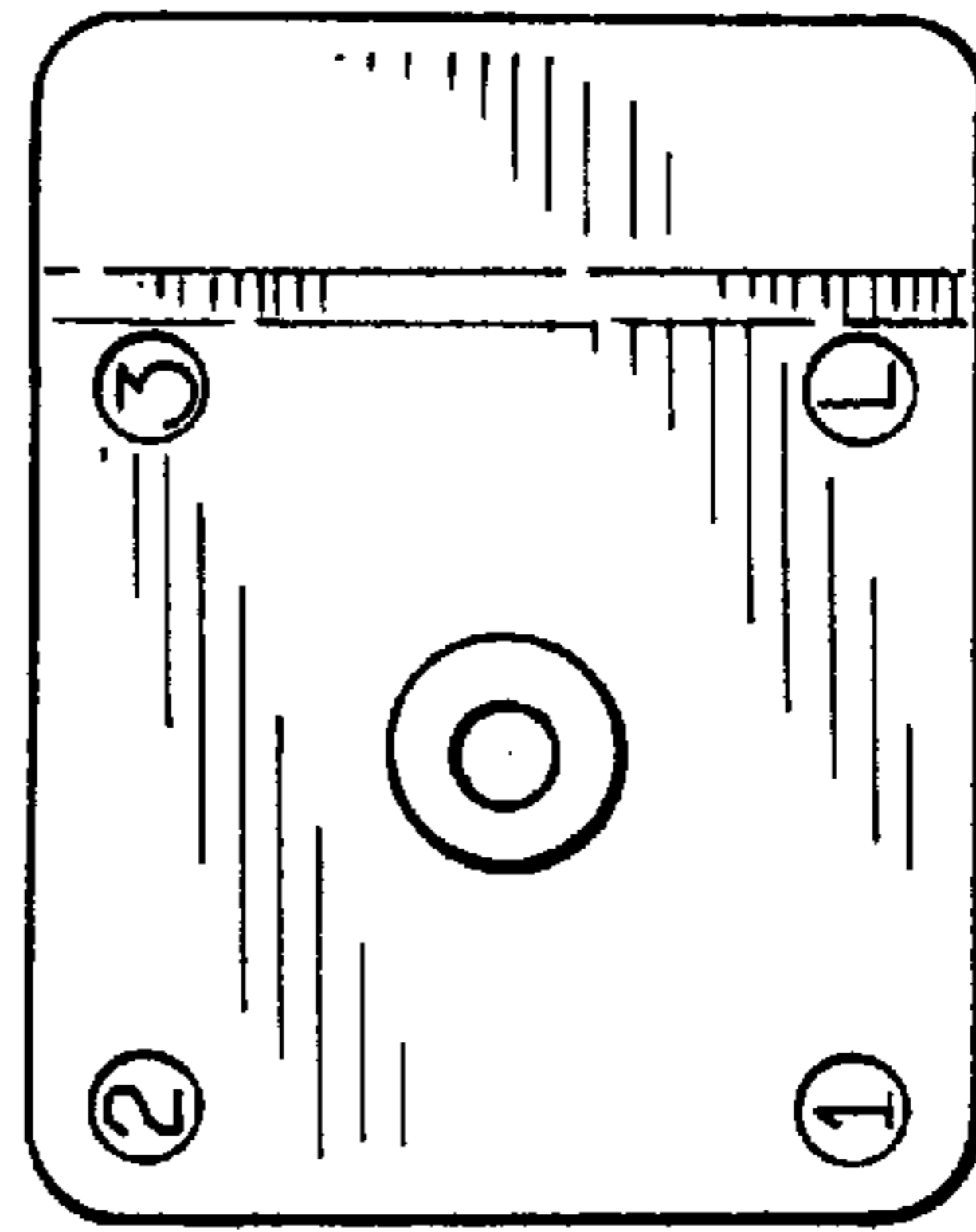


FIG. 3

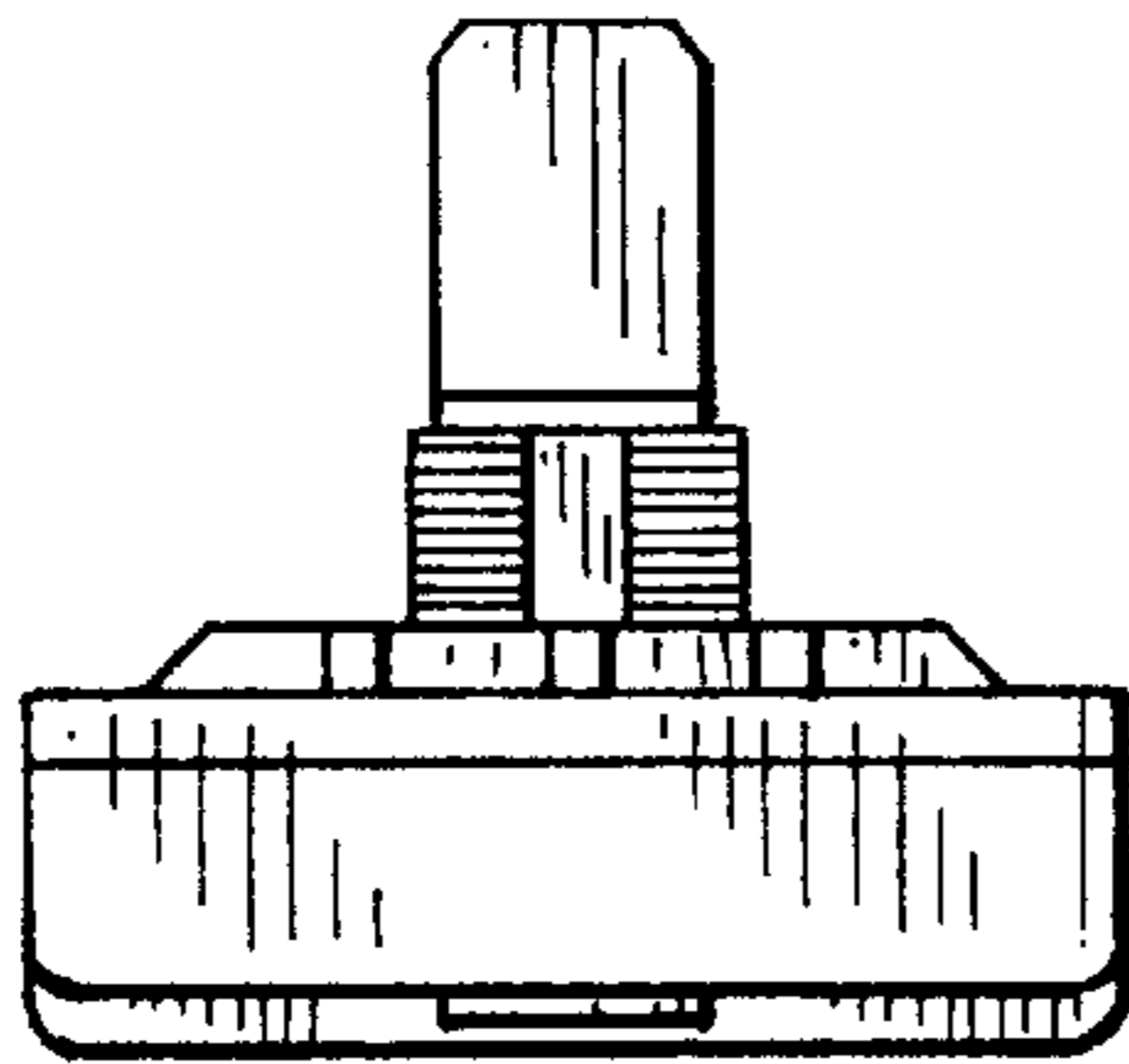


FIG. 4

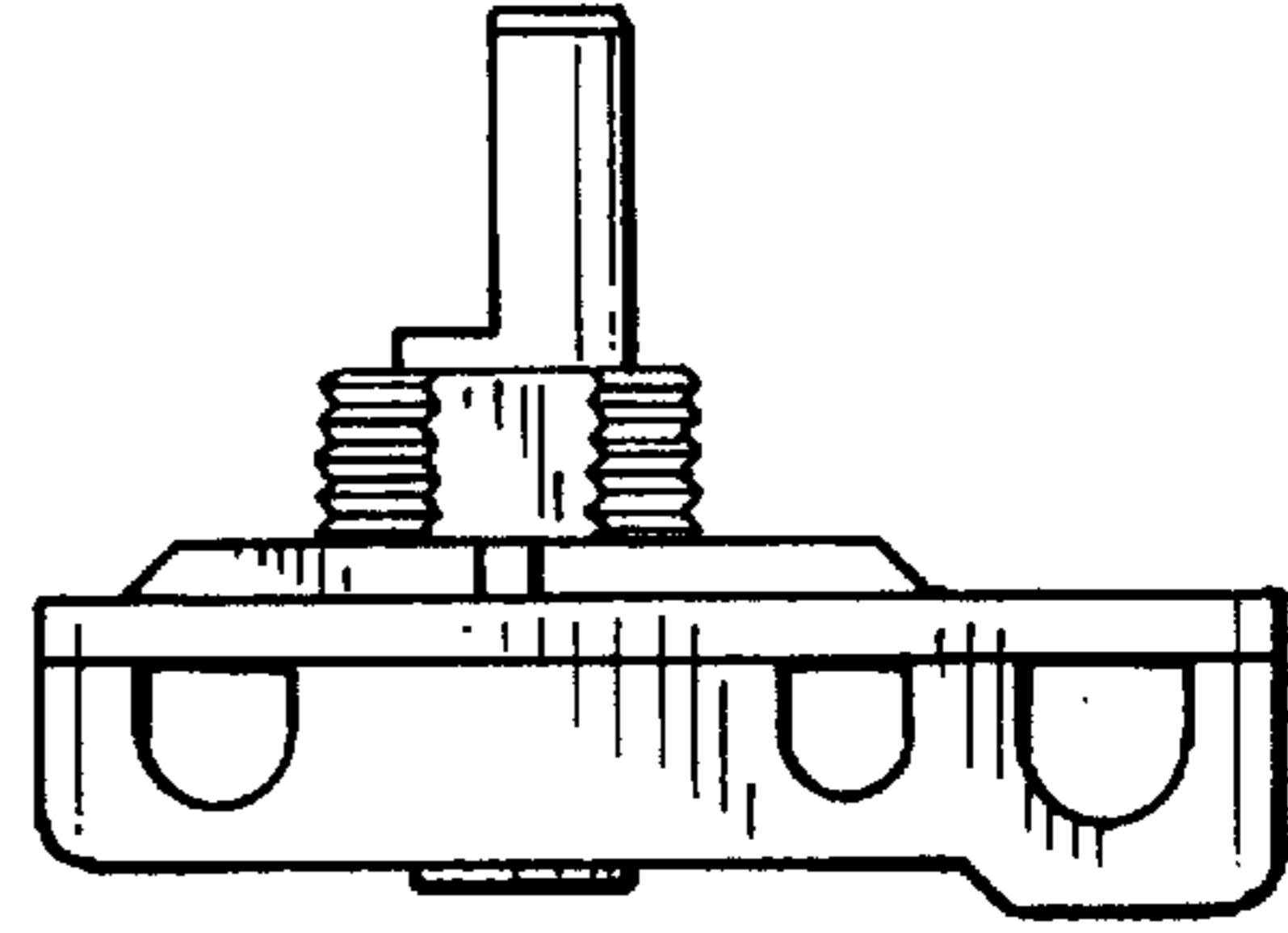


FIG. 5

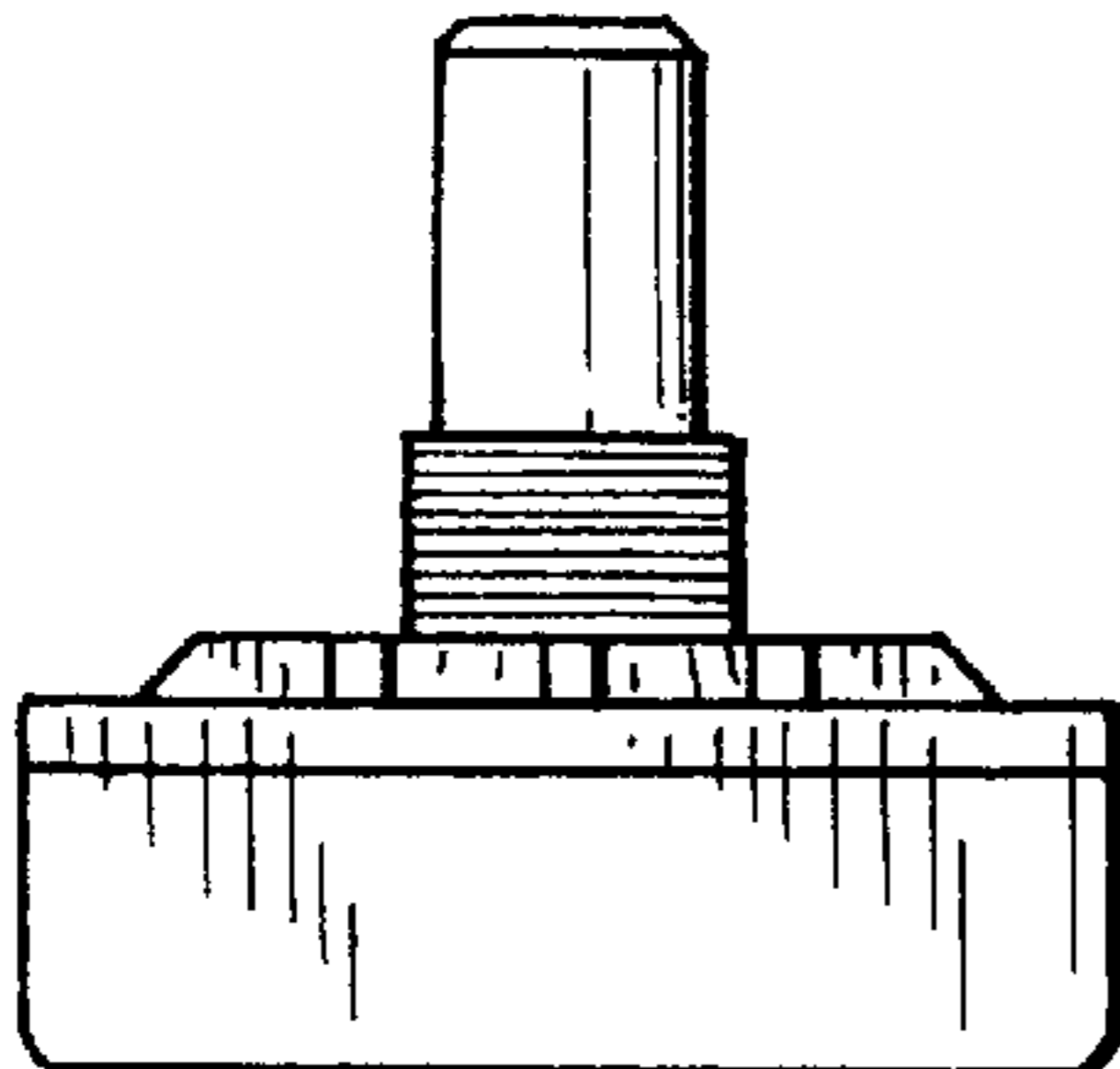


FIG. 6

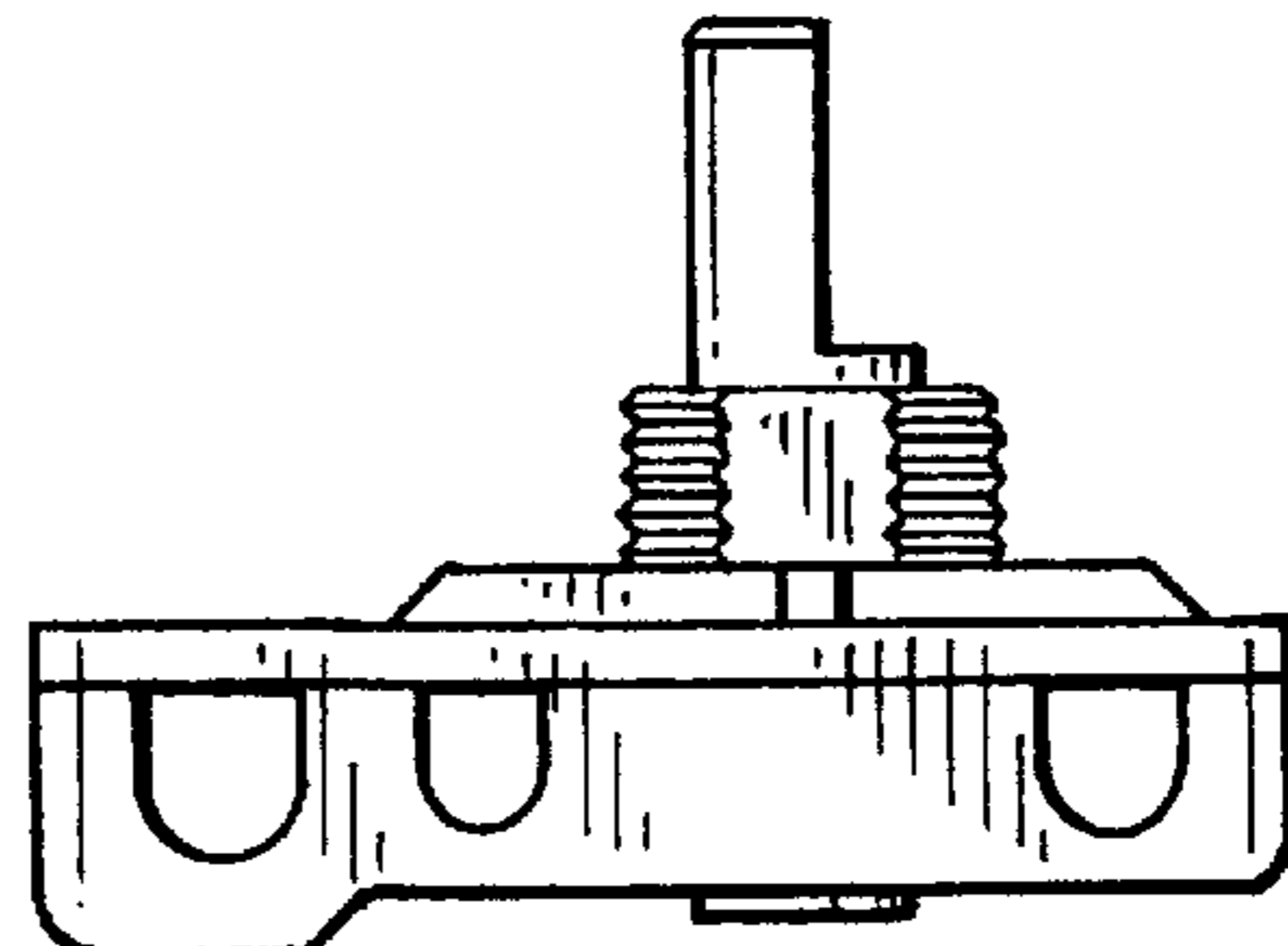


FIG. 7