



US00D414744S

United States Patent [19]
Surinak

[11] **Patent Number: Des. 414,744**
[45] **Date of Patent: ** Oct. 5, 1999**

[54] **GROUNDING CLAMP**

[76] Inventor: **John J. Surinak**, 2 Earling Ct.,
Oconomowoc, Wis. 53066

[**] Term: **14 Years**

[21] Appl. No.: **29/093,983**

[22] Filed: **Sep. 23, 1998**

[51] **LOC (6) Cl.** **13-03**

[52] **U.S. Cl.** **D13/149**

[58] **Field of Search** D13/133, 149;
439/92, 100, 803, 814; 174/6

[56] **References Cited**

U.S. PATENT DOCUMENTS

4,828,504	5/1989	Franks, Jr.	439/92
4,884,976	12/1989	Franks, Jr.	439/92
4,993,960	2/1991	Franks, Jr.	439/92

Primary Examiner—Joel Sincavage
Attorney, Agent, or Firm—Andrus, Scealess, Starke &
Sawall

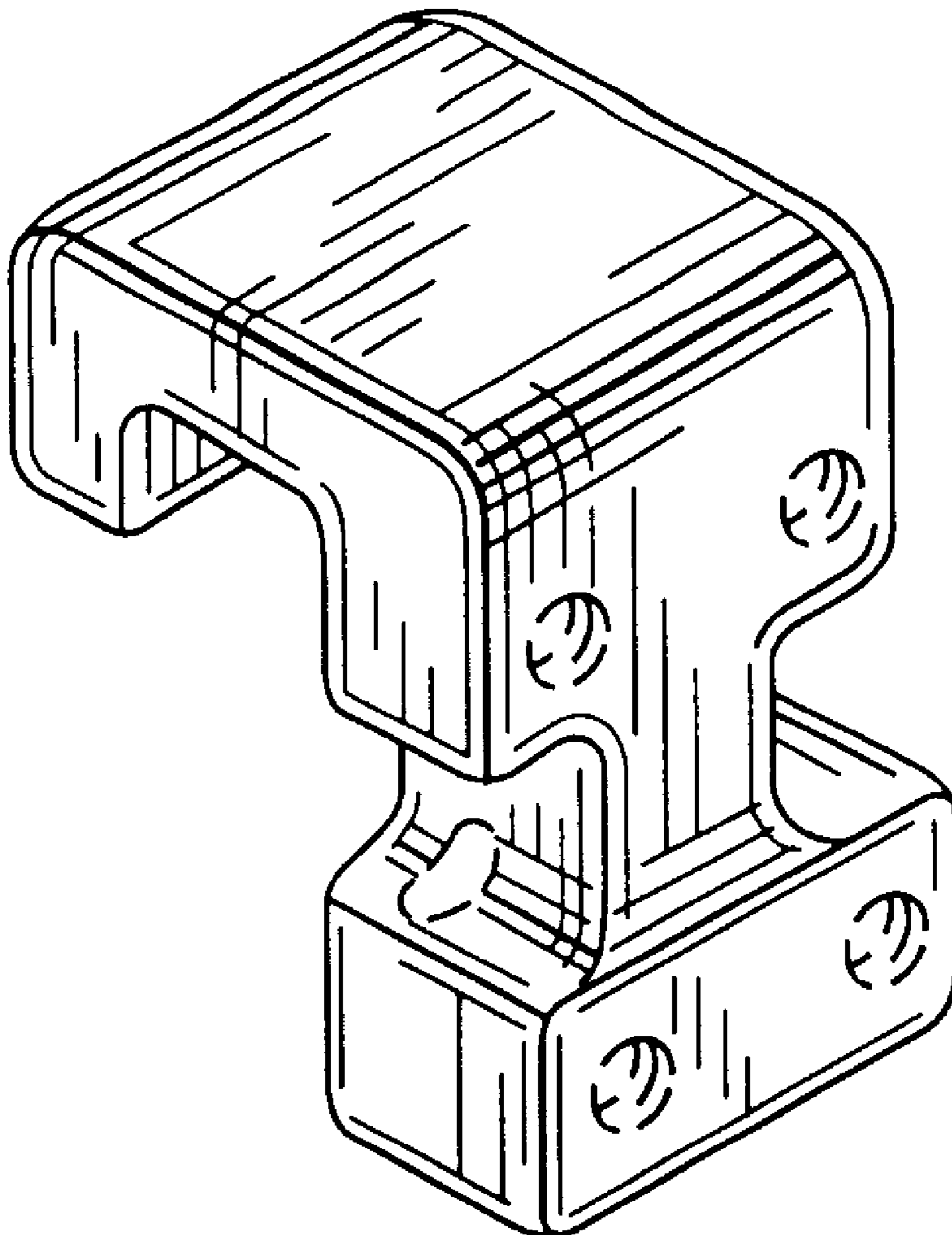
[57] **CLAIM**

The ornamental design for a grounding clamp, as shown and described.

DESCRIPTION

FIG. 1 is a perspective view of a grounding clamp showing my new design;
FIG. 2 is a front elevational view of the grounding clamp shown in FIG. 1;
FIG. 3 is a view of the grounding clamp taken from the right side of FIG. 1;
FIG. 4 is a rear view of the grounding clamp shown in FIG. 1;
FIG. 5 is a top view of the grounding clamp shown in FIG. 1; and,
FIG. 6 is a bottom view of the grounding clamp shown in FIG. 1.
The screws and circular openings on the clamp are shown in broken lines to indicate they form no part of the claimed design.

1 Claim, 1 Drawing Sheet



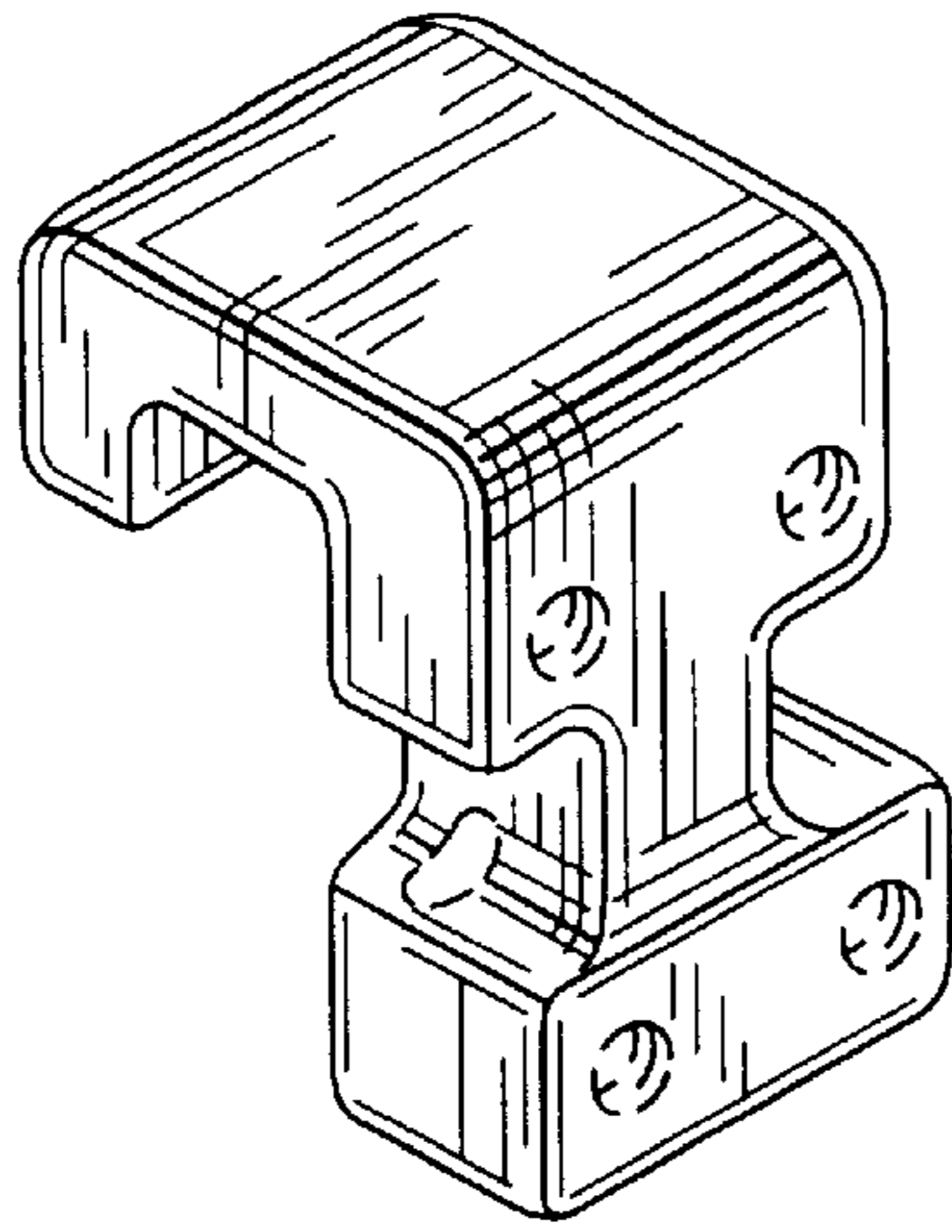


FIG. 1

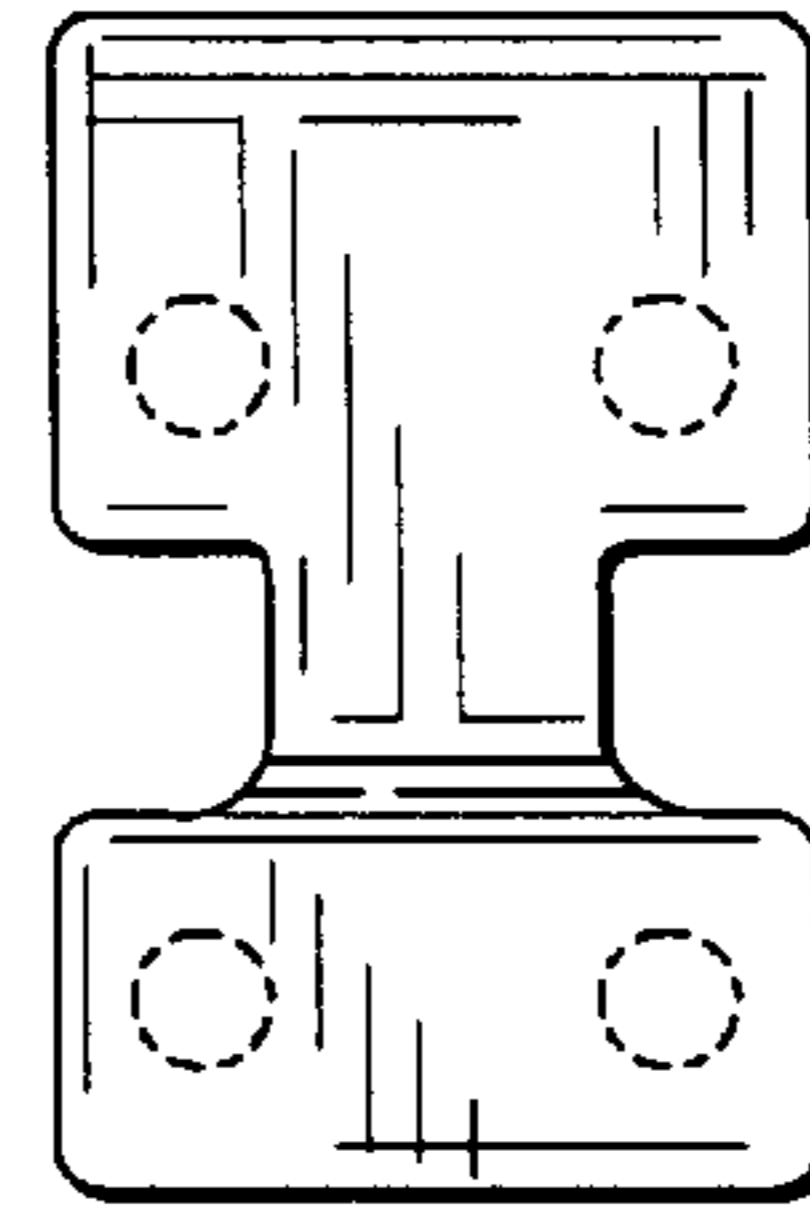


FIG. 2

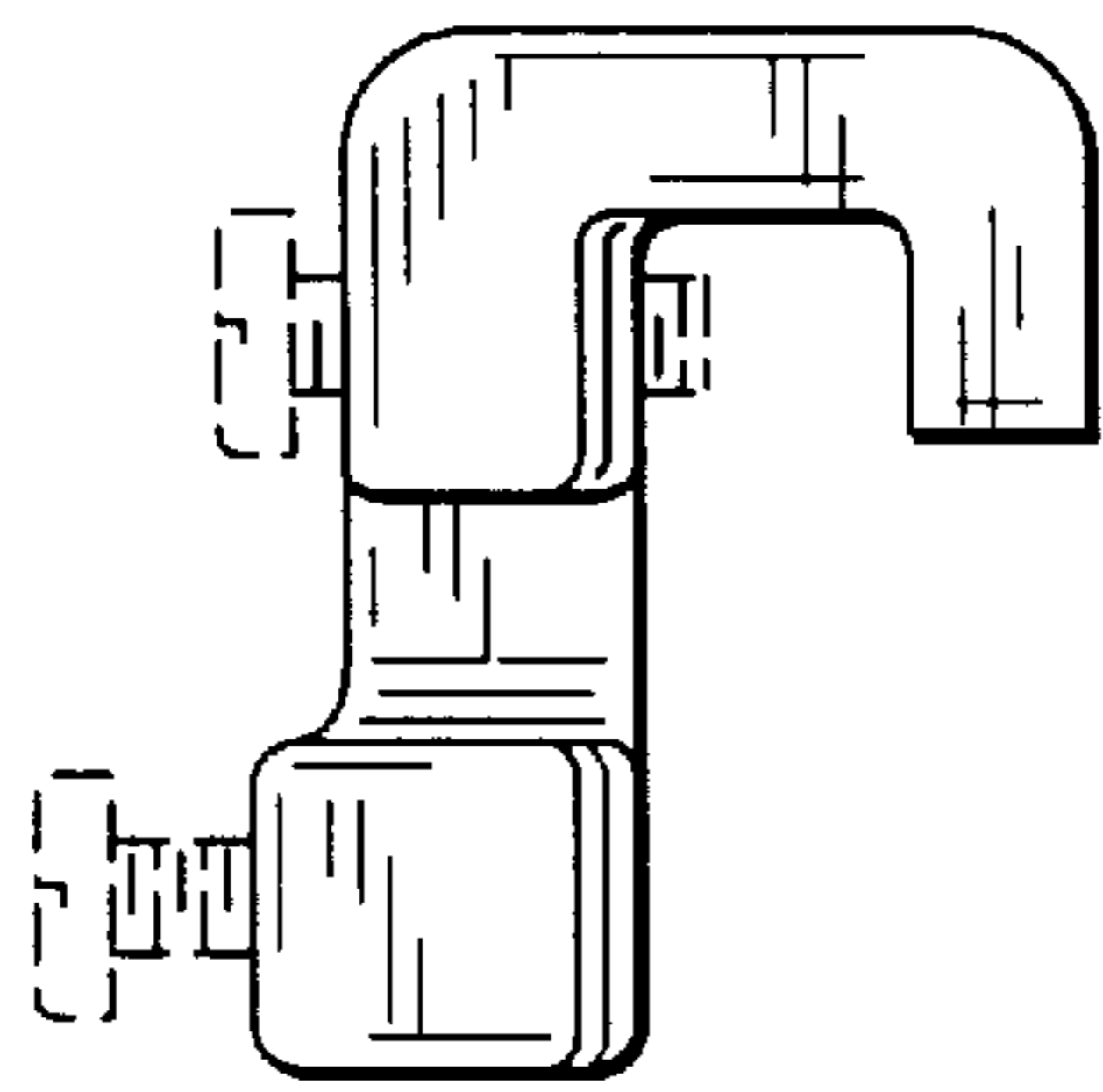


FIG. 3

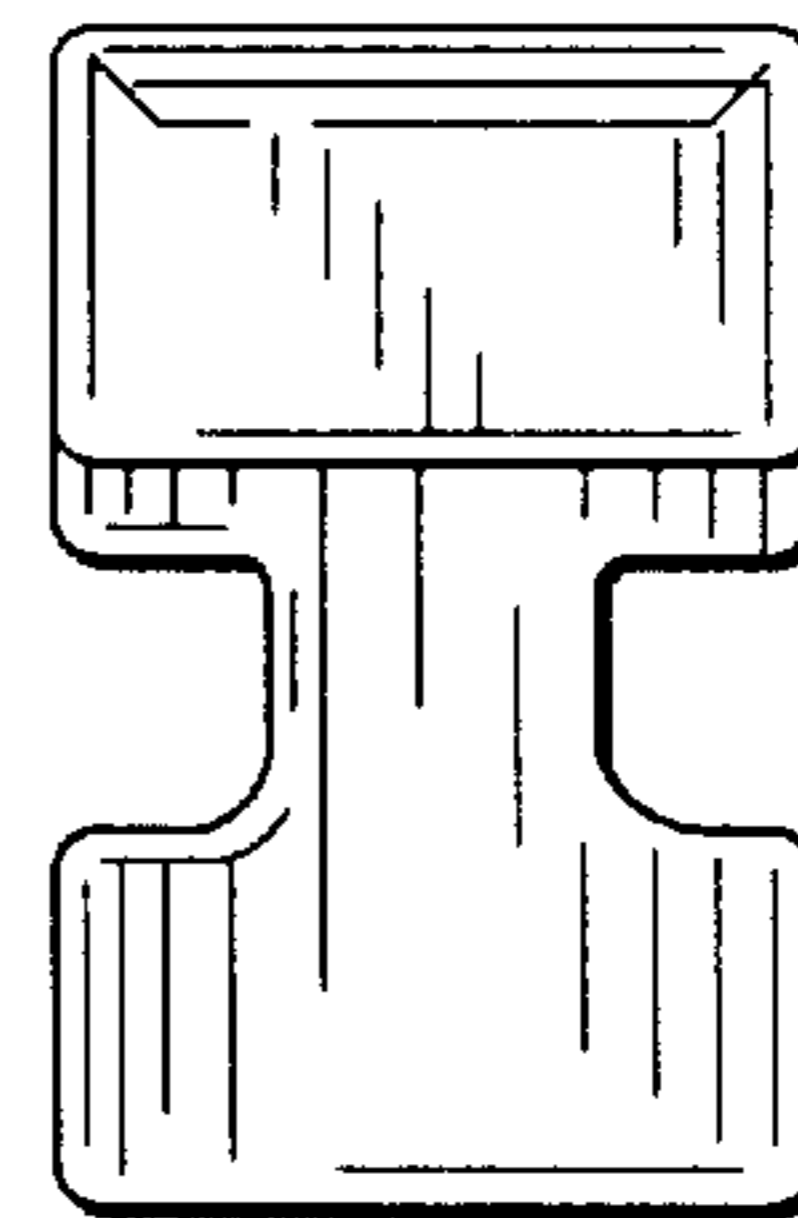


FIG. 4

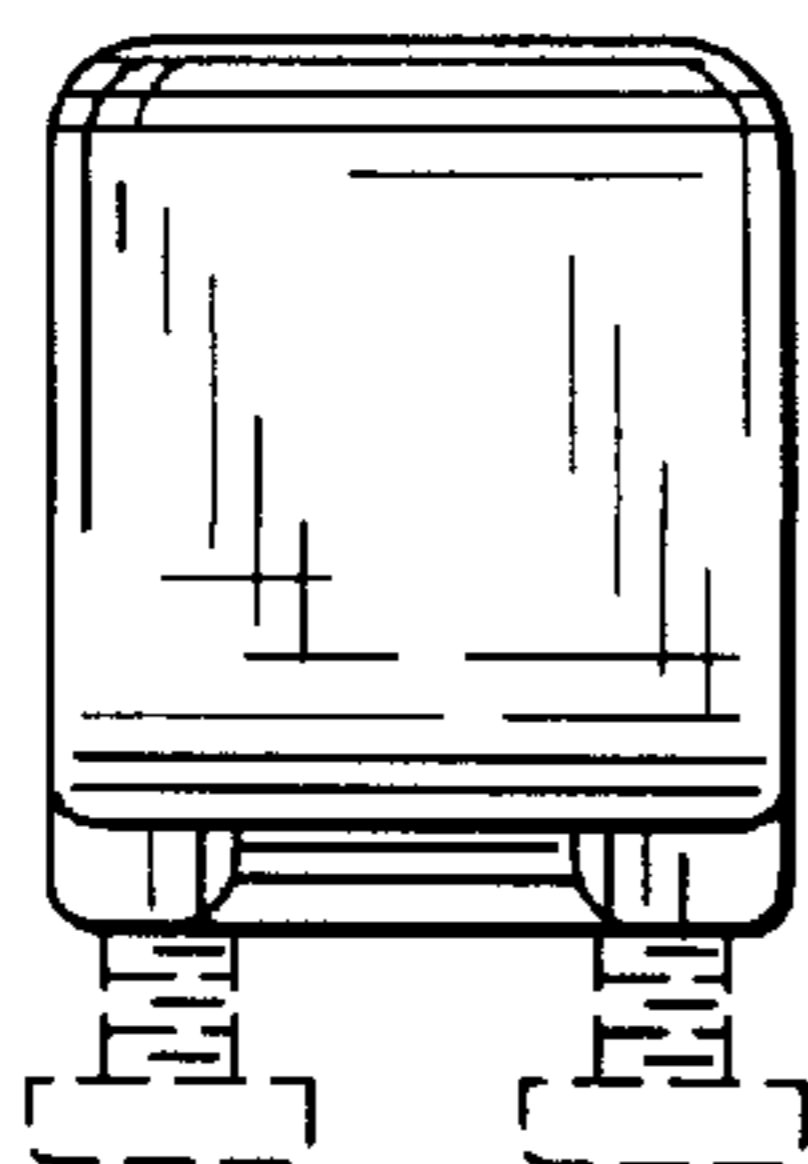


FIG. 5

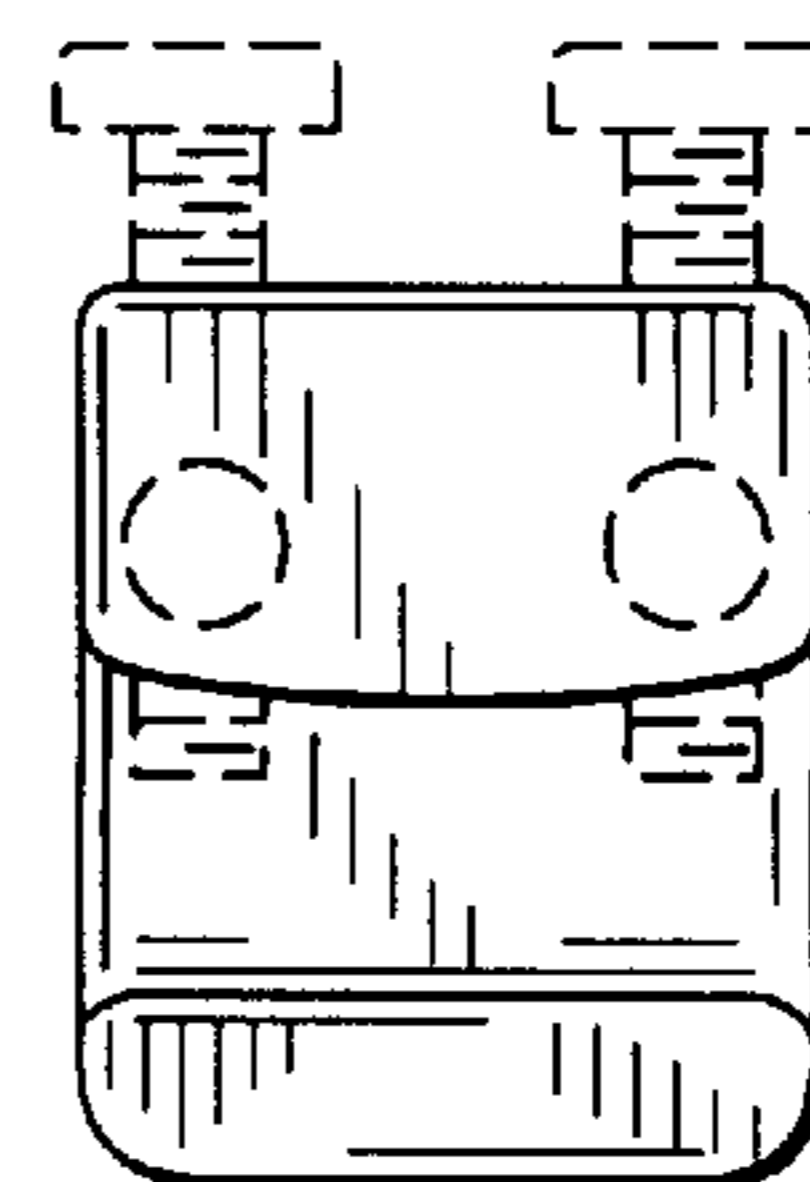


FIG. 6