



US00D414743S

United States Patent [19] Katoh

[11] **Patent Number: Des. 414,743**
[45] **Date of Patent: ** Oct. 5, 1999**

[54] **FEMALE CONNECTOR**

[75] Inventor: **Yosikazu Katoh**, Tokyo, Japan

[73] Assignee: **Honda Tsushin Kogyo Co., Ltd.**,
Tokyo, Japan

[**] Term: **14 Years**

[21] Appl. No.: **29/094,335**

[22] Filed: **Sep. 30, 1998**

[30] **Foreign Application Priority Data**

Mar. 31, 1998 [JP] Japan 10-8917

[51] **LOC (6) Cl.** **13-03**

[52] **U.S. Cl.** **D13/147**

[58] **Field of Search** D13/146, 147;
439/78, 540.1, 541.05, 607, 638, 620

[56] **References Cited**

U.S. PATENT DOCUMENTS

D. 351,137 10/1994 Sato D13/147

5,267,882 12/1993 Davis 439/607 X
5,273,459 12/1993 Davis 439/607
5,338,227 8/1994 Nakamura 439/607

Primary Examiner—Joel Sincavage
Attorney, Agent, or Firm—Leighton K. Chong

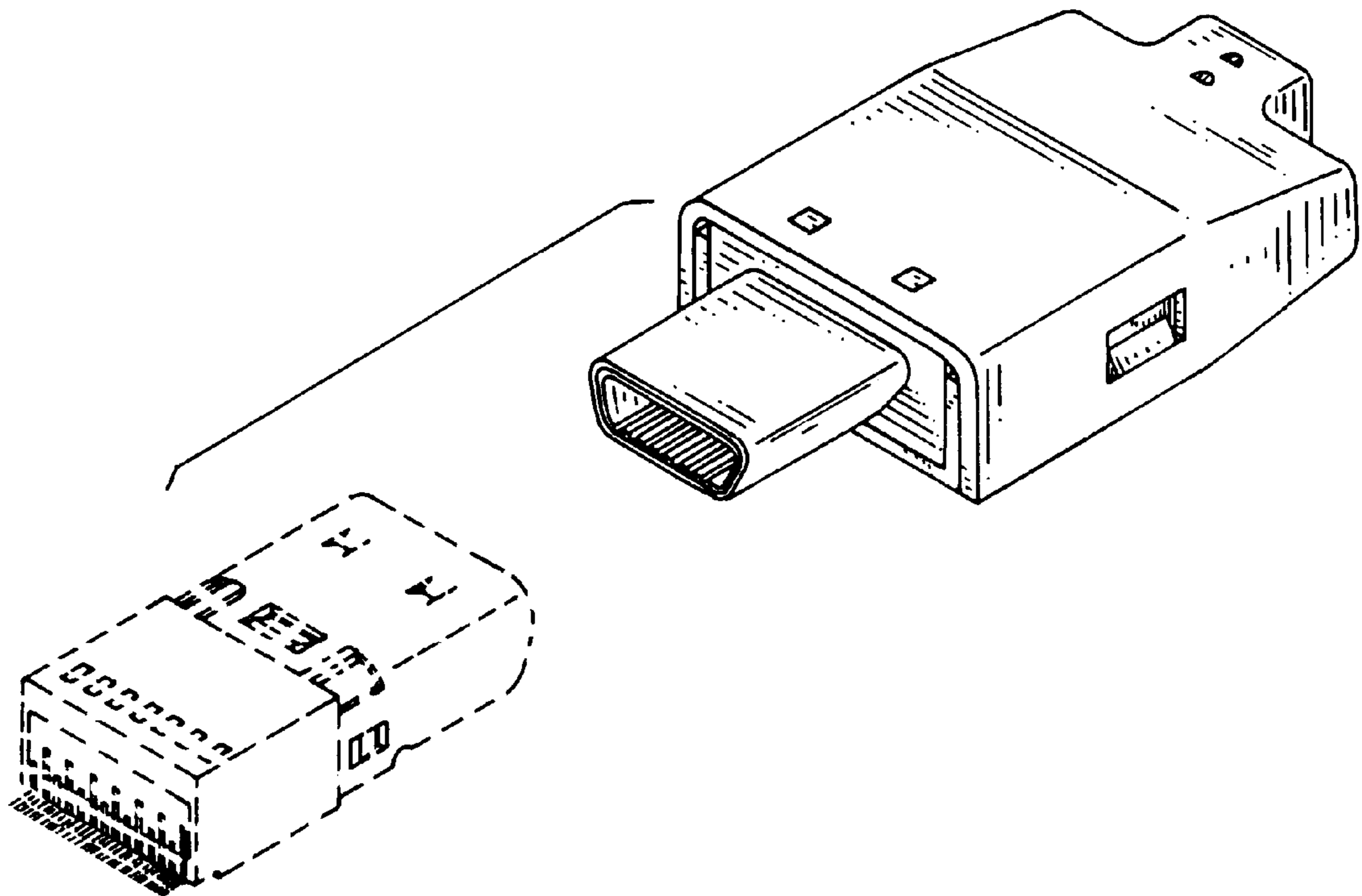
[57] **CLAIM**

The ornamental design for a female connector, as shown and described.

DESCRIPTION

FIG. 1 is a front view of the new design of a female connector;
FIG. 2 is a rear view of the female connector of FIG. 1;
FIG. 3 is a top view of the female connector of FIG. 1;
FIG. 4 is a bottom view of the female connector of FIG. 1;
FIG. 5 is a right side view of the female connector of FIG. 1 (the left side view being a mirror image thereof); and,
FIG. 6 is a perspective view from the front side of the female connector, shown in relation to a male connector component (in phantom line) which is not a part of the design claimed herein.

1 Claim, 3 Drawing Sheets



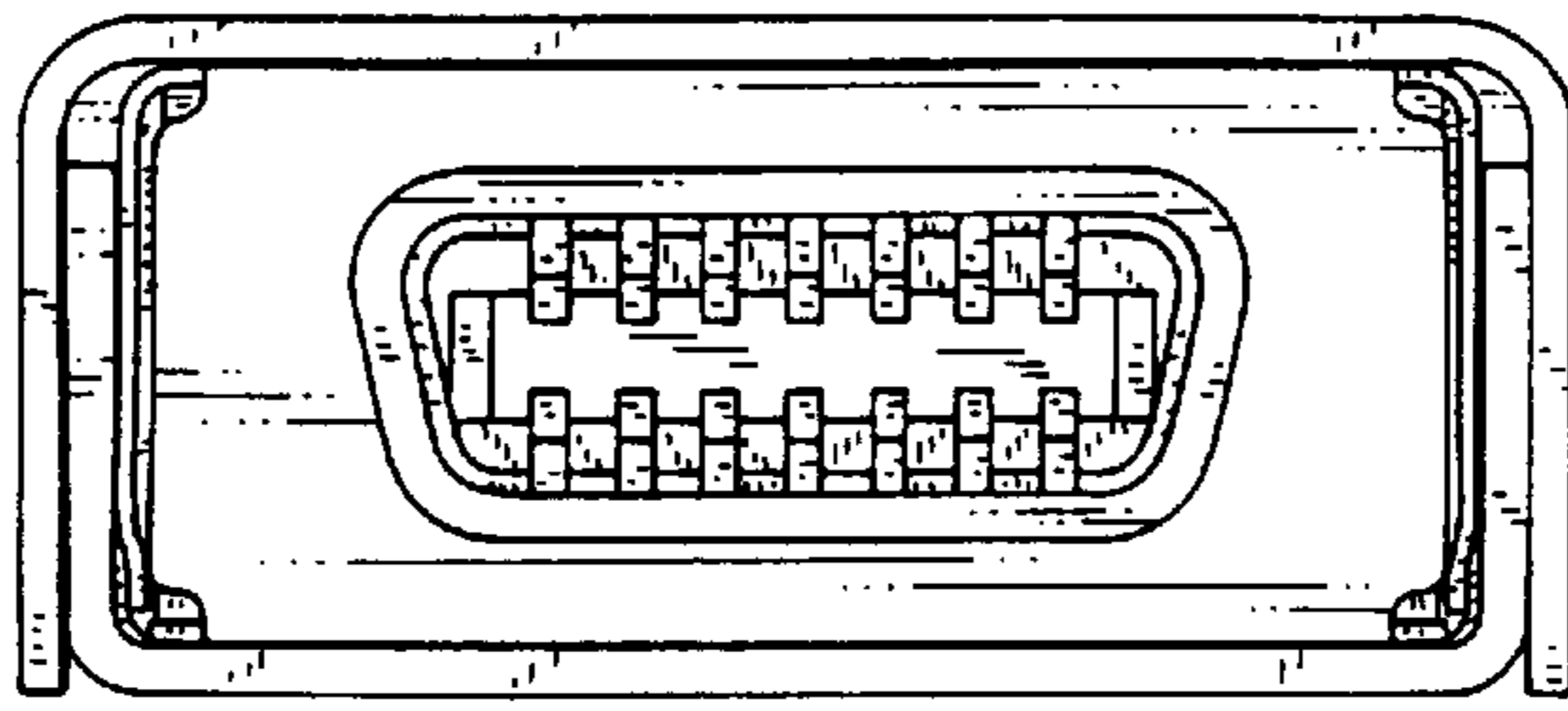


FIG. 1

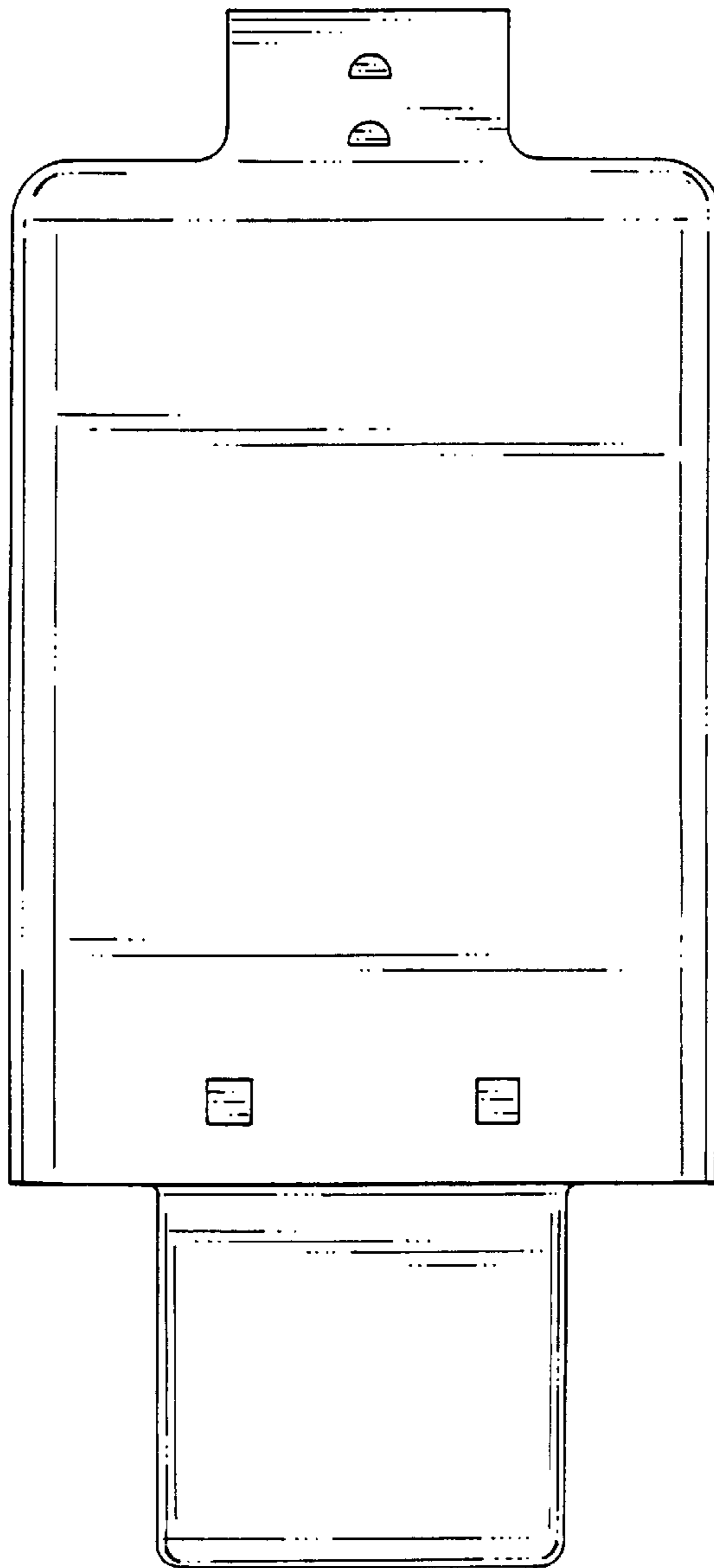


FIG. 3

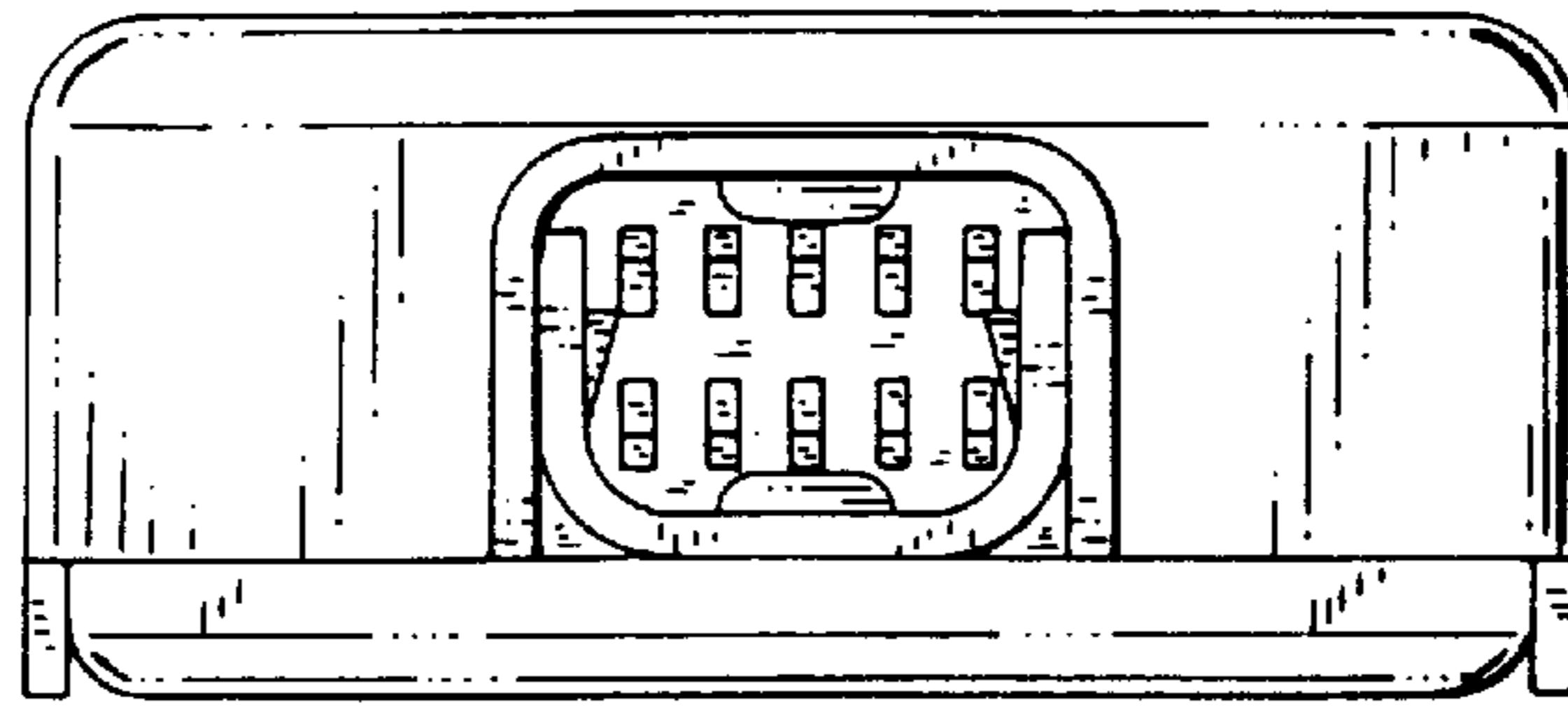


FIG. 2

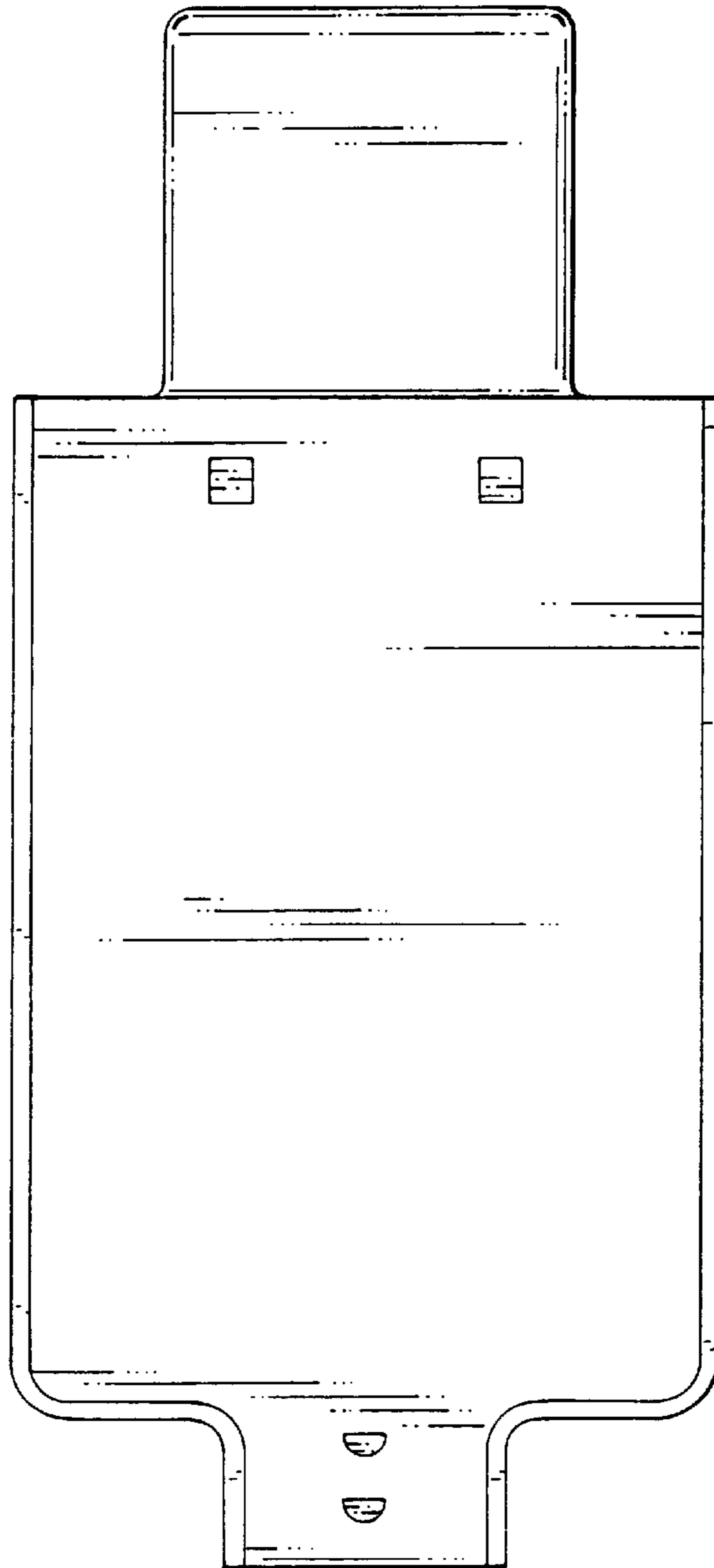


FIG. 4

FIG. 5

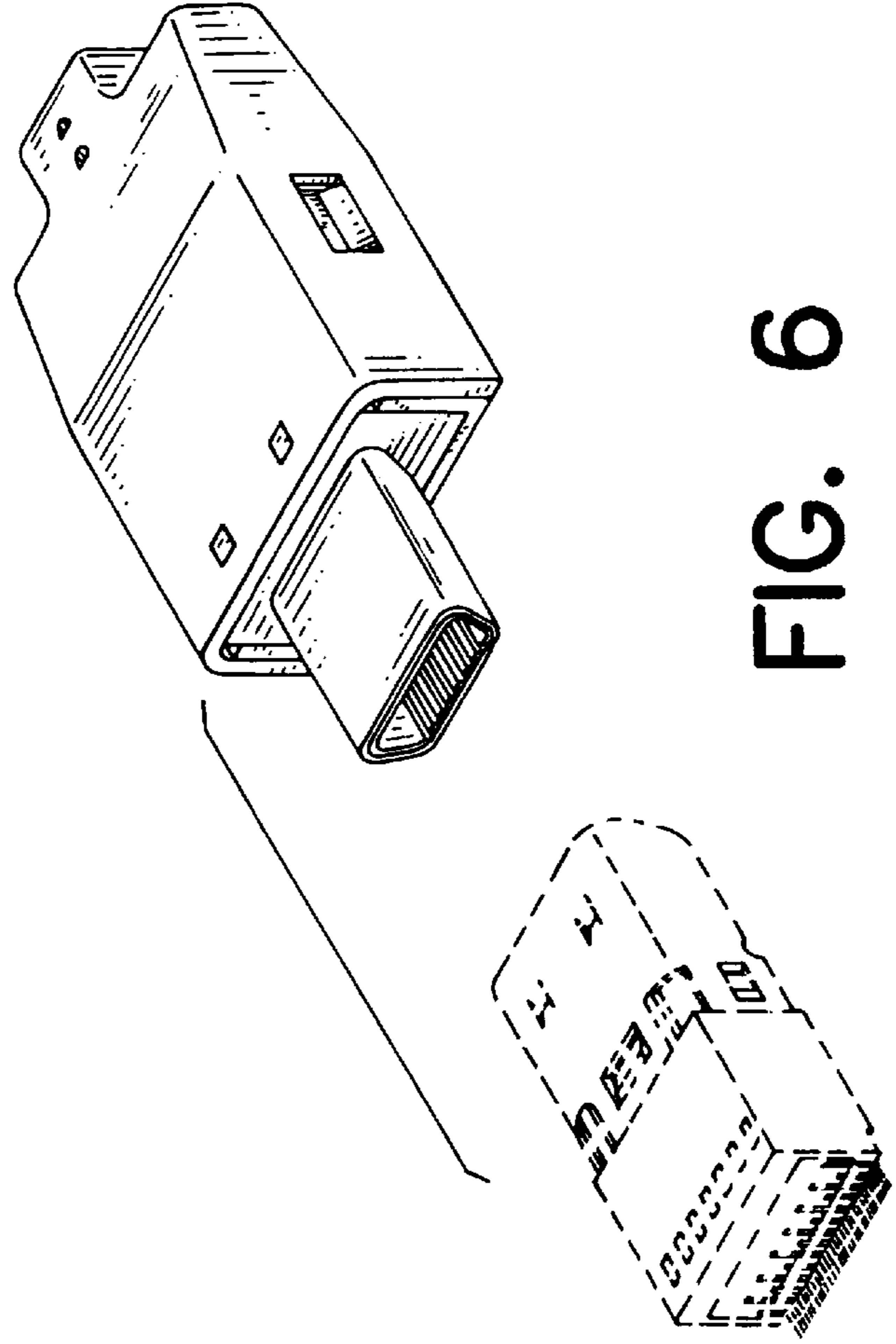
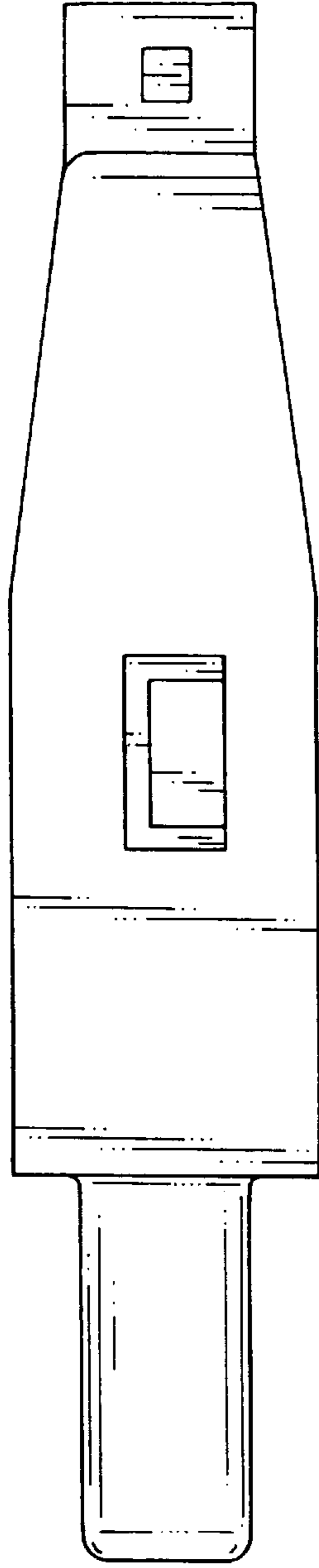


FIG. 6