



US00D414741S

United States Patent [19] Bergh

[11] **Patent Number: Des. 414,741**
[45] **Date of Patent: ** Oct. 5, 1999**

[54] **AUTOMOBILE TRUNK ORGANIZER**

[75] Inventor: **James Allen Bergh**, Boulder, Colo.

[73] Assignee: **Case Logic, Inc.**, Longmont, Colo.

[**] Term: **14 Years**

[21] Appl. No.: **29/097,565**

[22] Filed: **Dec. 9, 1998**

[51] **LOC (6) Cl.** **12-16**

[52] **U.S. Cl.** **D12/407; D12/196**

[58] **Field of Search** D12/407, 196;
224/417, 427, 430, 424, 449

[56] **References Cited**

U.S. PATENT DOCUMENTS

D. 361,548	8/1995	Baseon	D12/409
D. 374,653	10/1996	Yon	D12/409
5,810,230	9/1998	Nutto	224/117

OTHER PUBLICATIONS

Samsonite Truck Cab Organizer, Model 228, 1997.

On The Road Trunk Organizer Apr. 1998.

Axius Under Seat Organizer, 1996.

Axius Mighty Truck Cab Organizer, 1996.

Primary Examiner—Melody N. Brown
Attorney, Agent, or Firm—Sheridan Ross P.C.

[57] **CLAIM**

The ornamental design for the automobile trunk organizer, as shown and described.

DESCRIPTION

FIG. 1 is a front elevation view of the automobile trunk organizer, showing my new design;

FIG. 2 is a rear elevation view of the automobile trunk organizer illustrated in FIG. 1.

FIG. 3 is a top plan view of the automobile trunk organizer illustrated in FIG. 1;

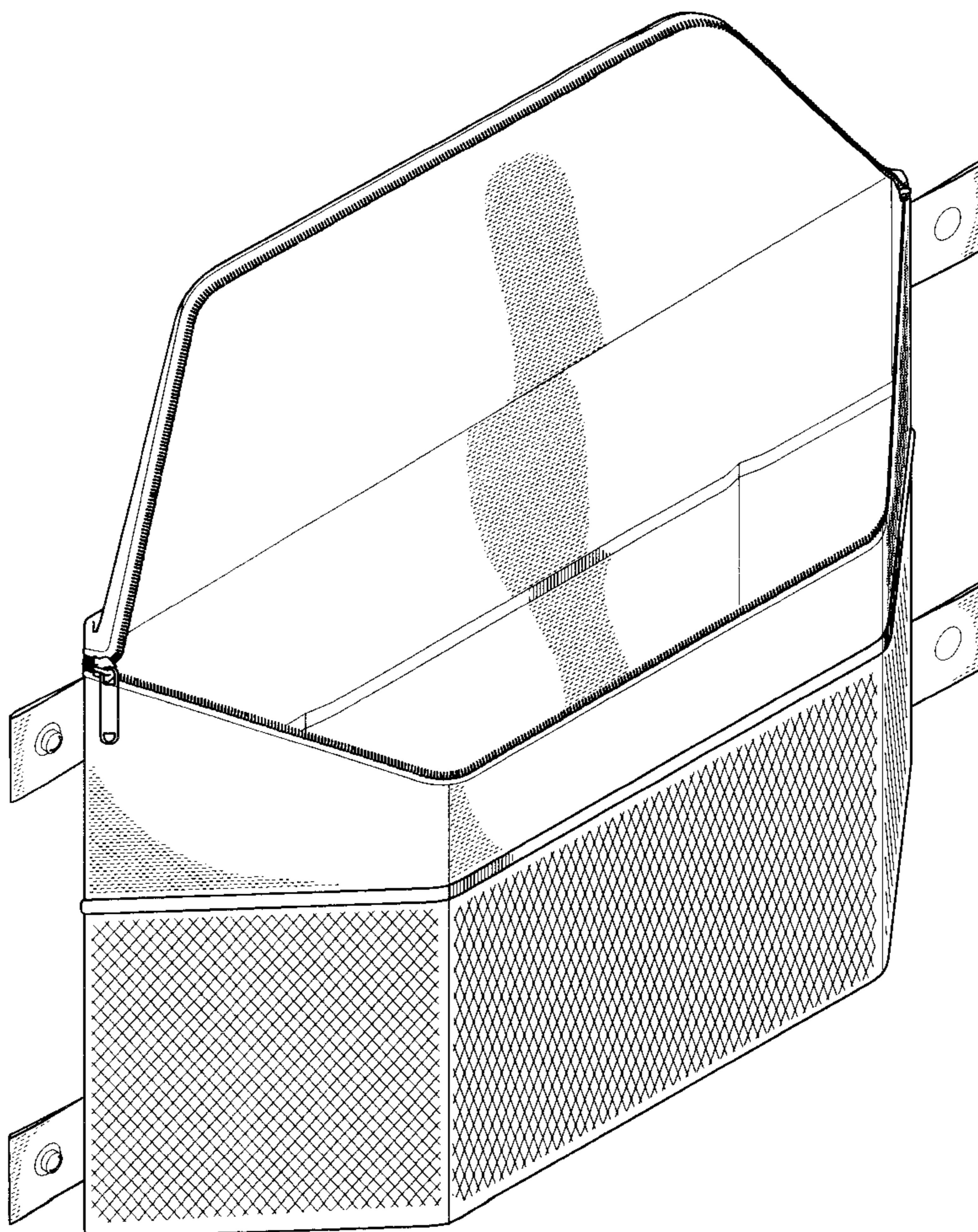
FIG. 4 is a left elevation view of the automobile trunk organizer illustrated in FIG. 1;

FIG. 5 is a right elevation view of the automobile trunk organizer illustrated in FIG. 1;

FIG. 6 is a bottom elevation view of the automobile trunk organizer illustrated in FIG. 1; and,

FIG. 7 is a left perspective of the automobile trunk organizer illustrated in FIG. 1, depicted in an open position.

1 Claim, 3 Drawing Sheets



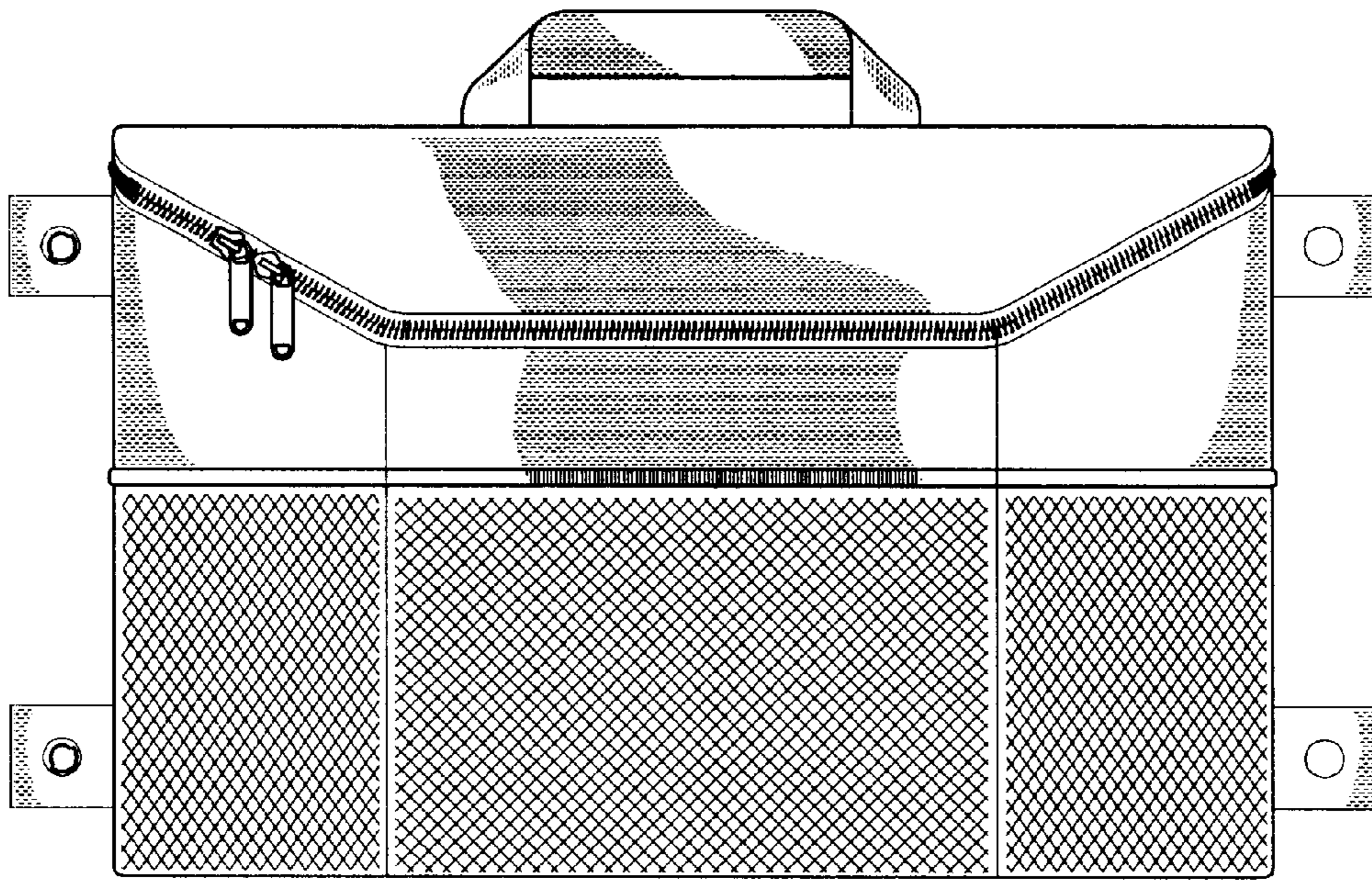


FIG. 1

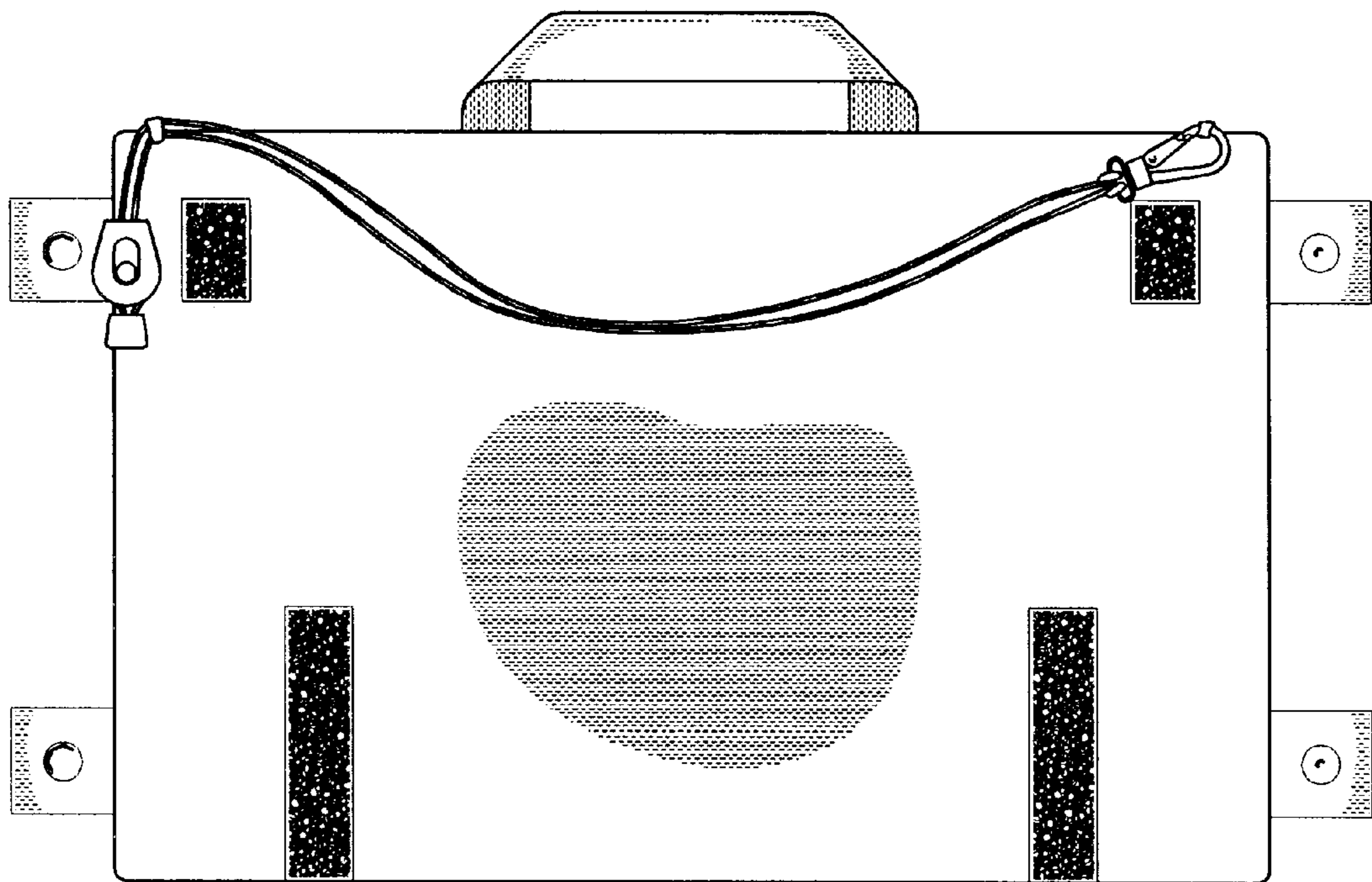


FIG. 2

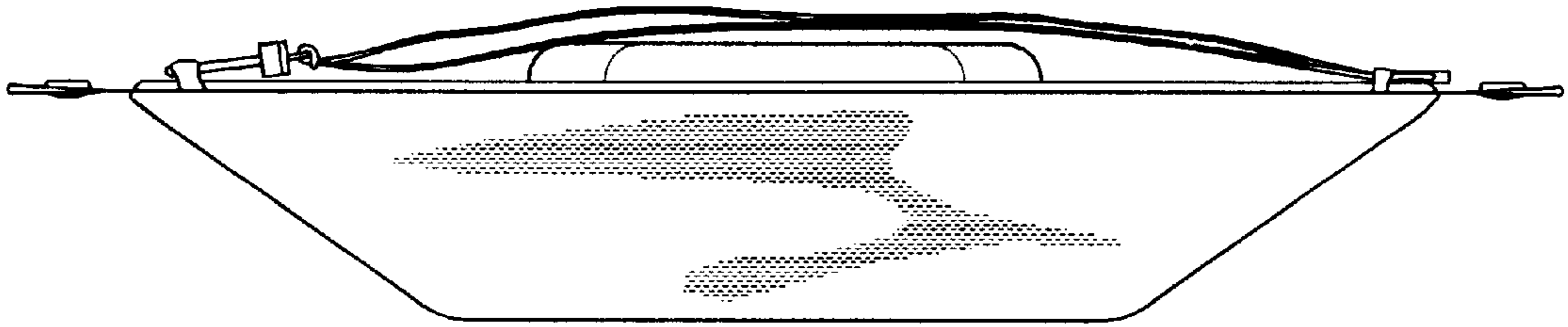


FIG. 3

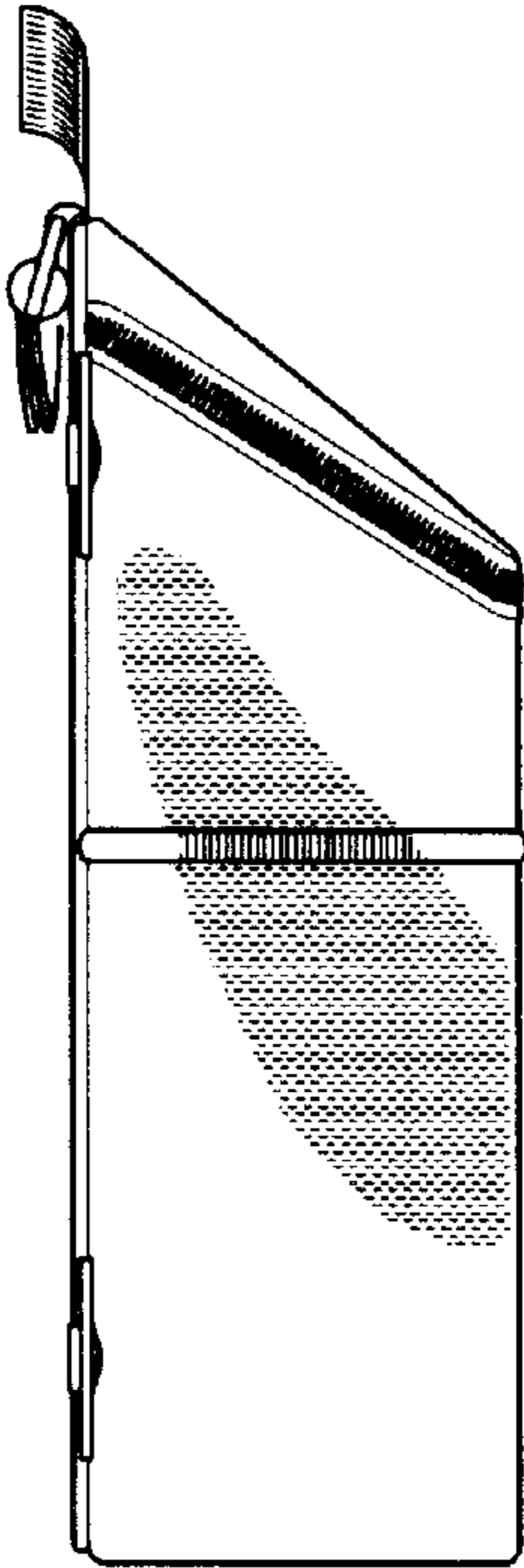


FIG. 4

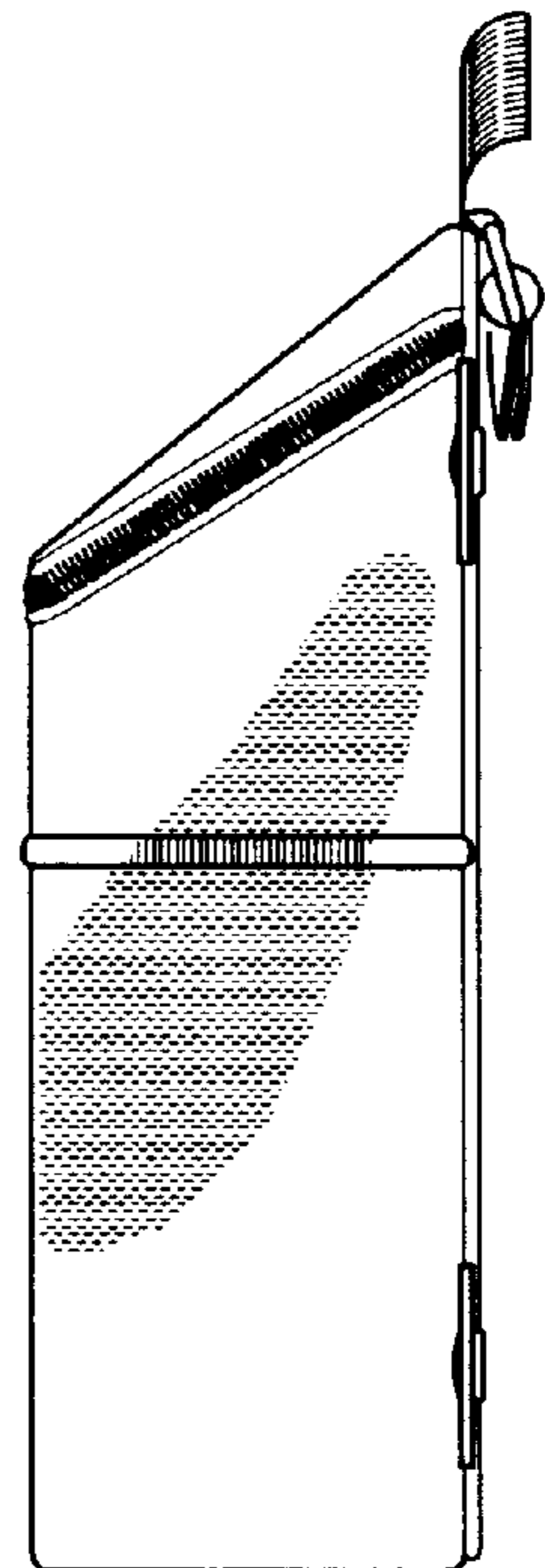


FIG. 5

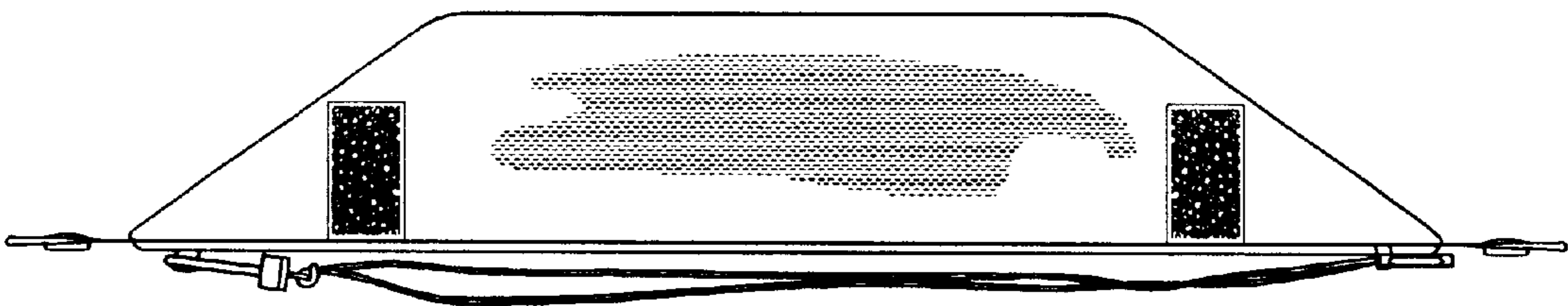


FIG. 6

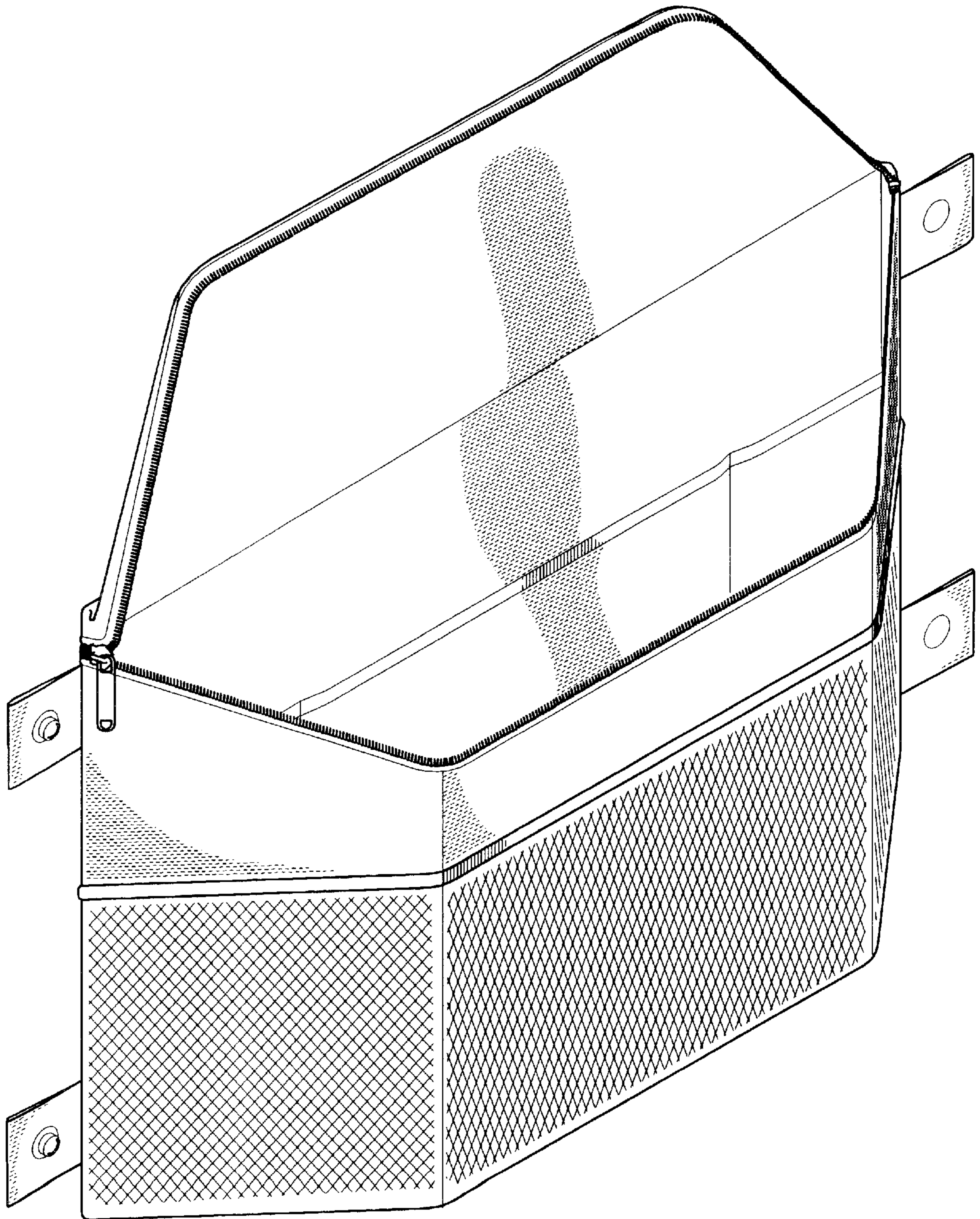


FIG. 7