



US00D414736S

United States Patent [19]

David

[11] **Patent Number: Des. 414,736**

[45] **Date of Patent: ** Oct. 5, 1999**

[54] **AUTOMOTIVE VEHICLE DOOR**

D. 382,833 8/1997 Futsahik et al. D12/91
D. 387,025 12/1997 Lagaay et al. D12/196

[75] Inventor: **Tom David**, Nantucket Island, Mass.

Primary Examiner—Melody N. Brown
Attorney, Agent, or Firm—Venable; Gabor J. Kelemen

[73] Assignee: **Tom David, Inc.**, Nantucket Island, Mass.

[57] **CLAIM**

[**] Term: **14 Years**

The ornamental design for an automotive vehicle door, as shown and described.

[21] Appl. No.: **29/087,514**

DESCRIPTION

[22] Filed: **May 5, 1998**

FIG. 1 is side elevational view of the automotive vehicle door showing my new design.

[51] **LOC (6) Cl.** **12-16**

FIG. 2 is a front elevational view thereof.

[52] **U.S. Cl.** **D12/196**

FIG. 3 is a top view thereof.

[58] **Field of Search** D12/196, 90-92;
296/185

FIG. 4 is a rear elevational view thereof; and,

FIG. 5 is a bottom view thereof.

[56] **References Cited**

A side elevational view from the side opposite of that of FIG. 1 is a duplicative of FIG. 1 and is therefore not shown.

U.S. PATENT DOCUMENTS

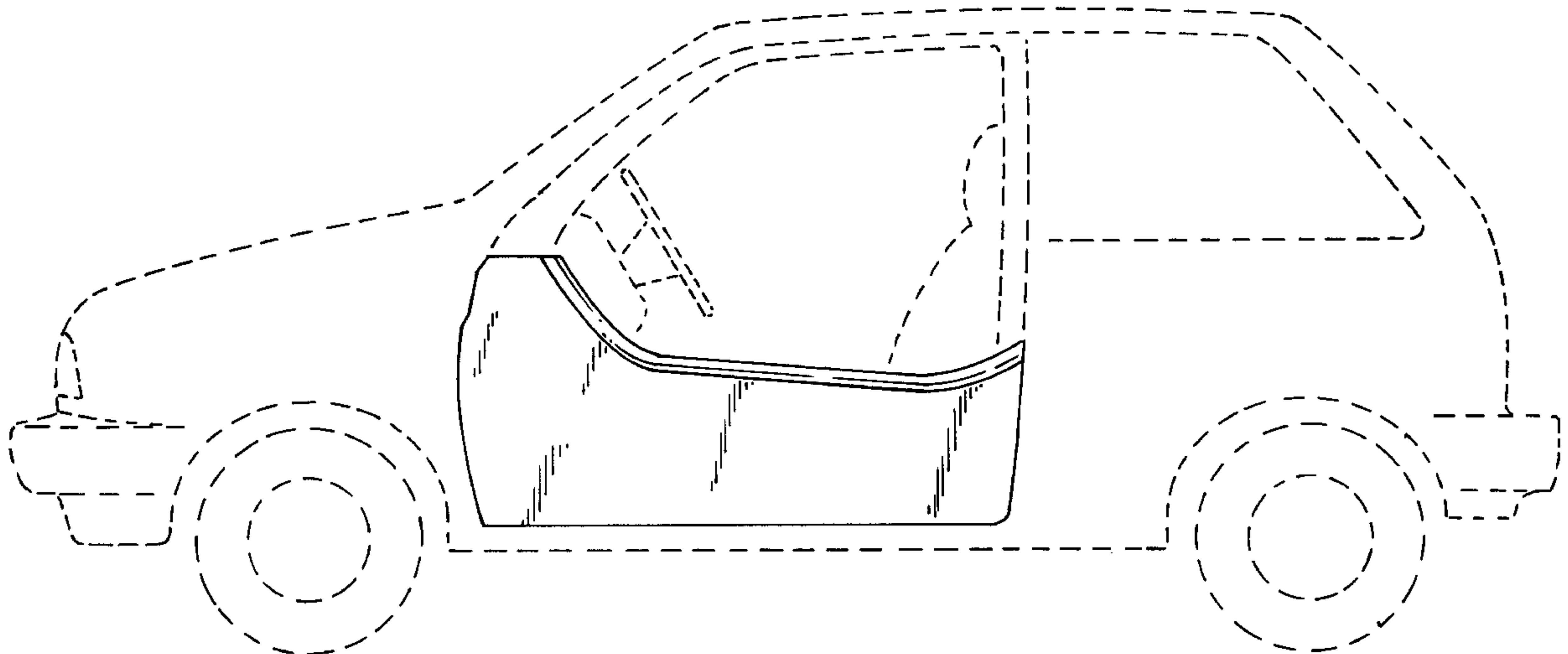
Any broken line illustration in the drawing disclosure is not part of my design.

D. 346,990 5/1994 Yany D12/90

D. 350,503 9/1994 Abbott et al. D12/91

D. 371,526 7/1996 Verduyn et al. D12/86

1 Claim, 1 Drawing Sheet



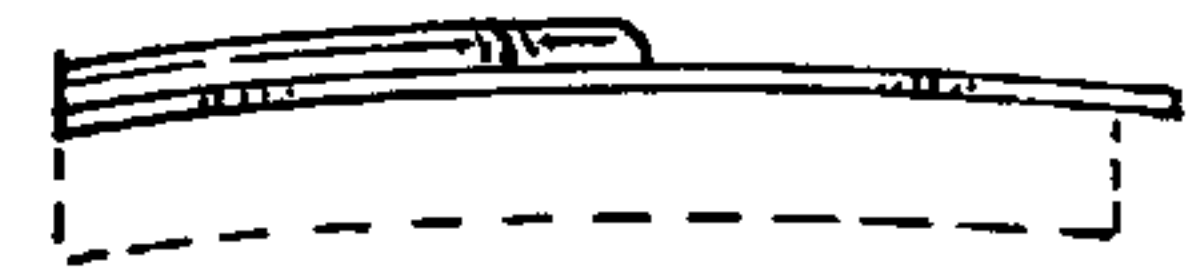
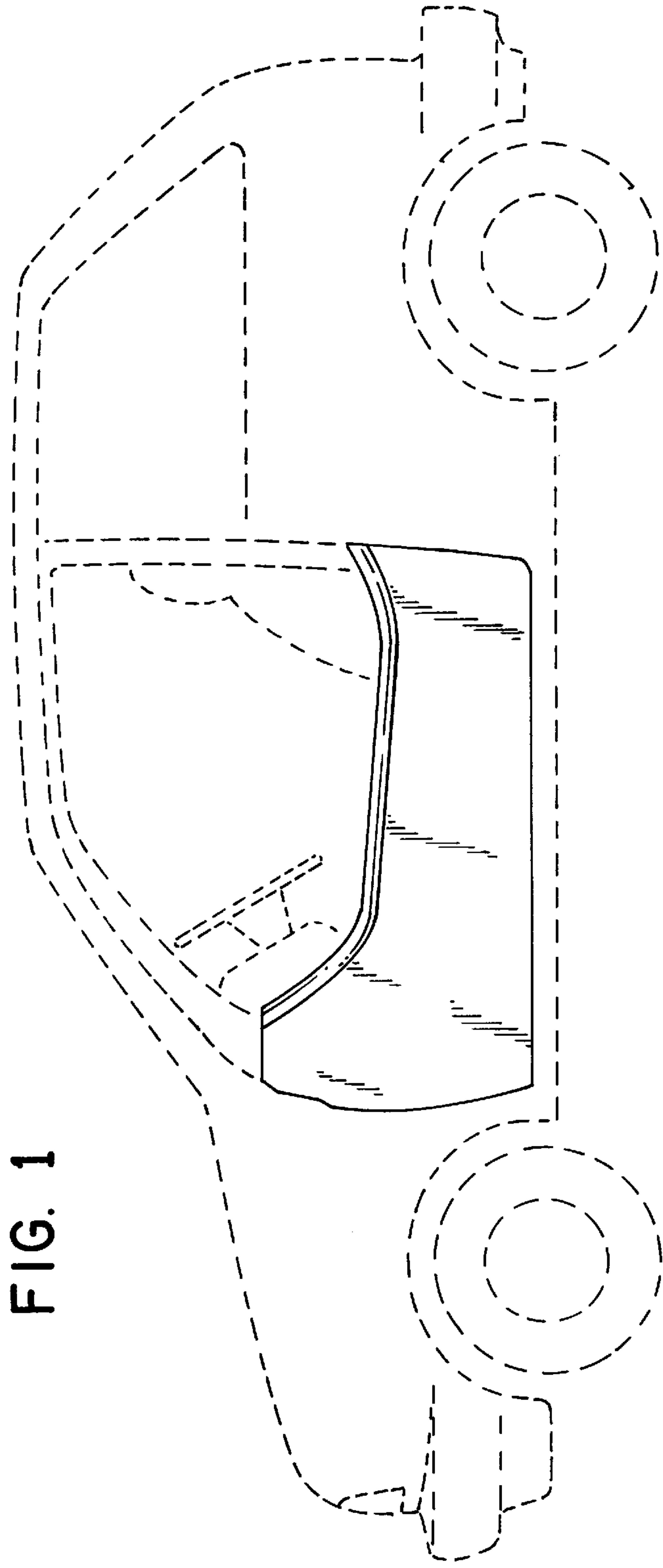


FIG. 2

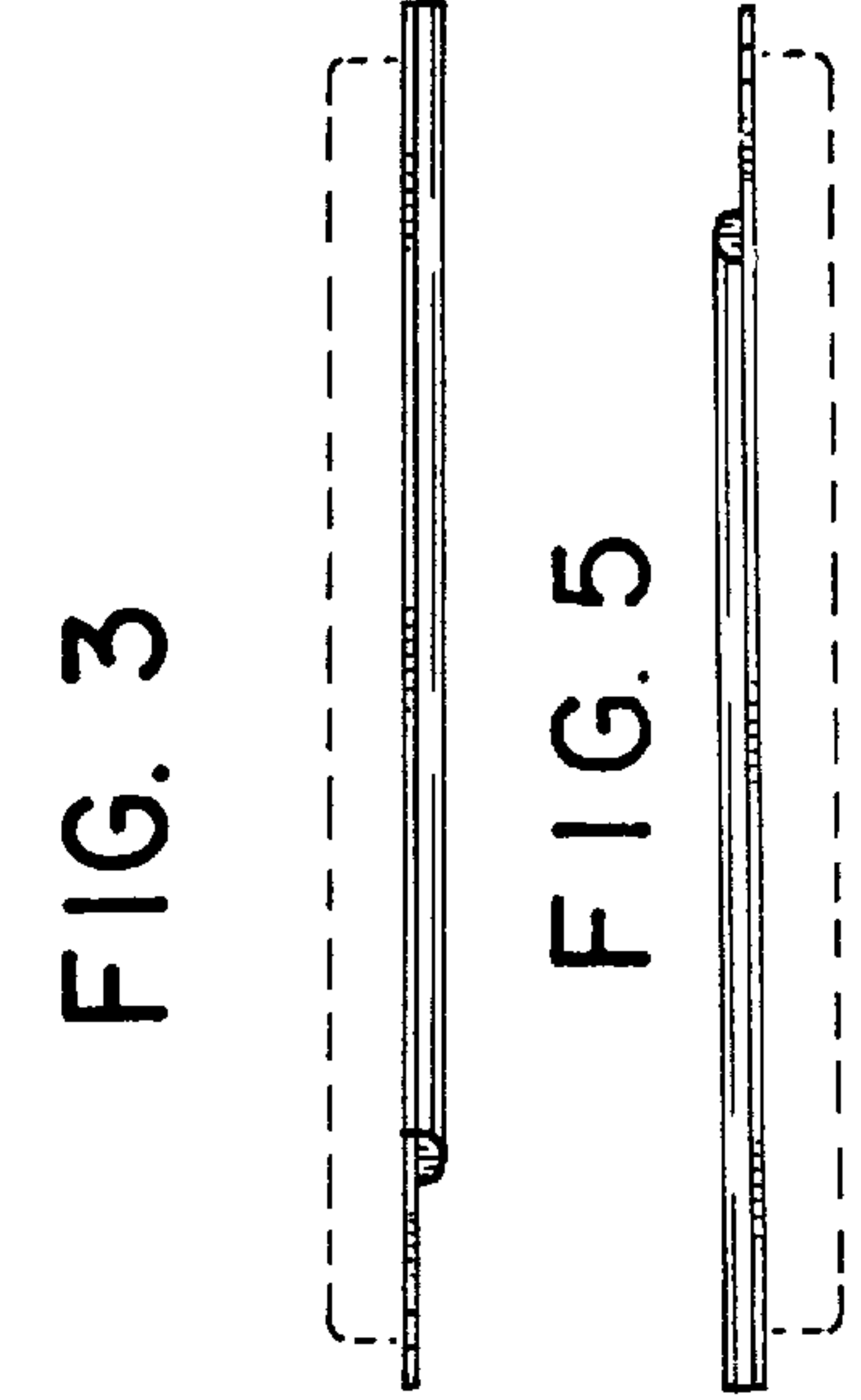


FIG. 3

FIG. 5

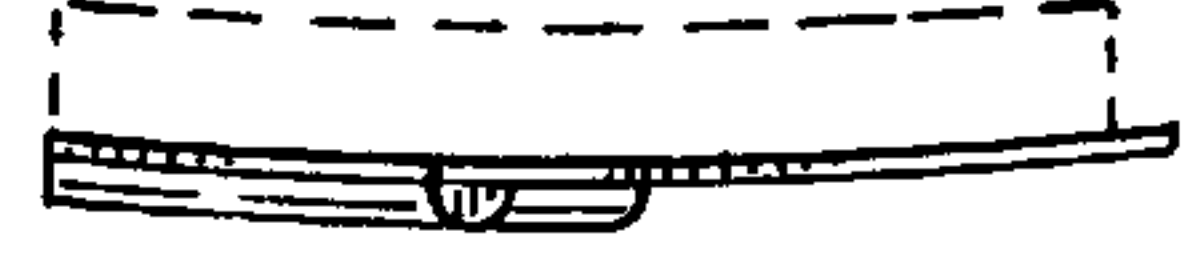


FIG. 4