



US00D414726S

United States Patent [19]
Matsuda

[11] **Patent Number: Des. 414,726**
[45] **Date of Patent: ** Oct. 5, 1999**

[54] **AUTOMOBILE TIRE**

FOREIGN PATENT DOCUMENTS

[75] Inventor: **Shoichiro Matsuda**, Kanawaga-ken, Japan

DM 029 374 4/1994 WIPO .

[73] Assignee: **The Yokohama Rubber Co., Ltd.**, Tokyo, Japan

Primary Examiner—Robert M. Spear
Attorney, Agent, or Firm—Nikaido, Marmelstein, Murray & Oram LLP

[**] Term: **14 Years**

[57] **CLAIM**

[21] Appl. No.: **29/090,762**

The ornamental design for an automobile tire, as shown and described.

[22] Filed: **Jul. 15, 1998**

DESCRIPTION

[51] **LOC (6) Cl.** **12-15**

[52] **U.S. Cl.** **D12/146**

[58] **Field of Search** D12/141–143,
D12/146–151; 152/209.1, 209.8, 209.9,
209.11, 209.16, 209.18, 209.28, 900, 901,
902, 903

FIG. 1 is a front view of an automobile tire, showing the new design, each of the rear view, the top plan view and the bottom plan view appearing the same as the front view, it being understood that the tread pattern repeats uniformly throughout the circumference of the tire;

FIG. 2 is a right side view of the automobile tire, the left side view appearing the same as the right side view;

FIG. 3 is an enlarged fragmentary front view, showing in enlargement the portion of 3—3 in FIG. 1; and,

FIG. 4 is a sectional view, taken on line 4—4 and in the direction of arrows in FIG. 3.

[56] **References Cited**

U.S. PATENT DOCUMENTS

D. 368,451	4/1996	Wallet et al.	D12/147
D. 388,035	12/1997	Heinen et al.	D12/147
D. 388,369	12/1997	Harden, Jr.	D12/146
D. 388,379	12/1997	Harpes et al.	D12/147

1 Claim, 3 Drawing Sheets

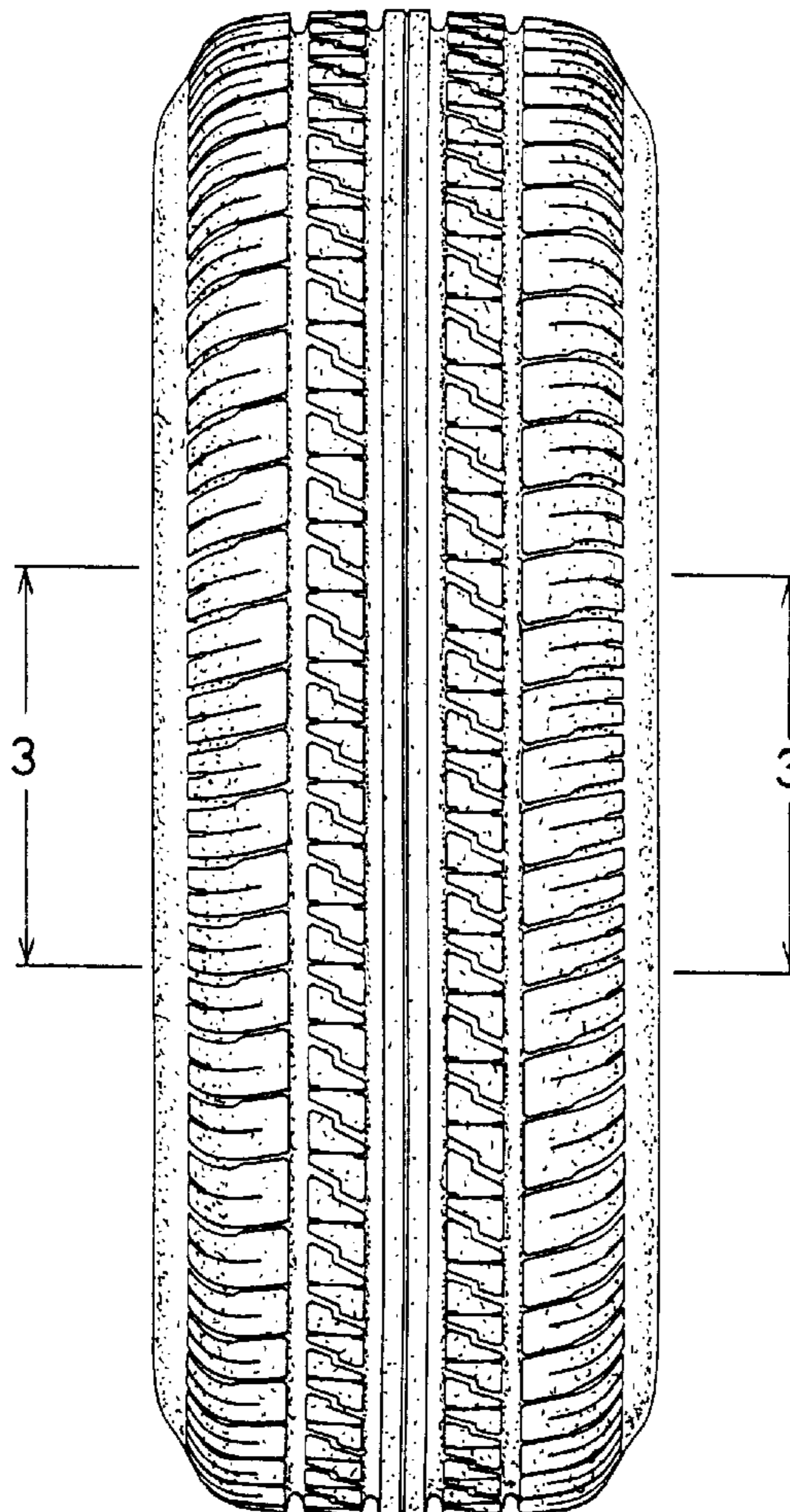


FIG. 1

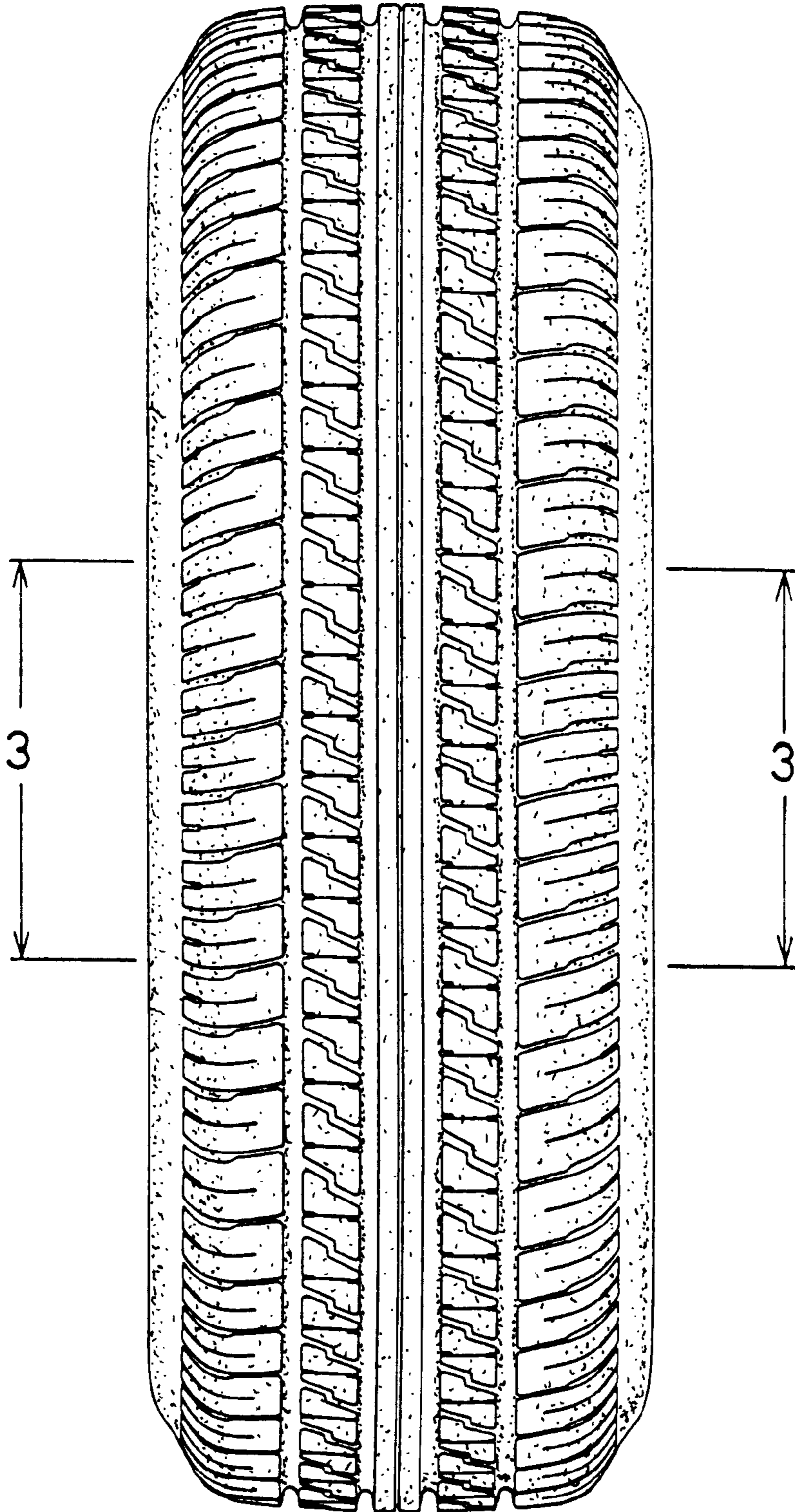


FIG. 2

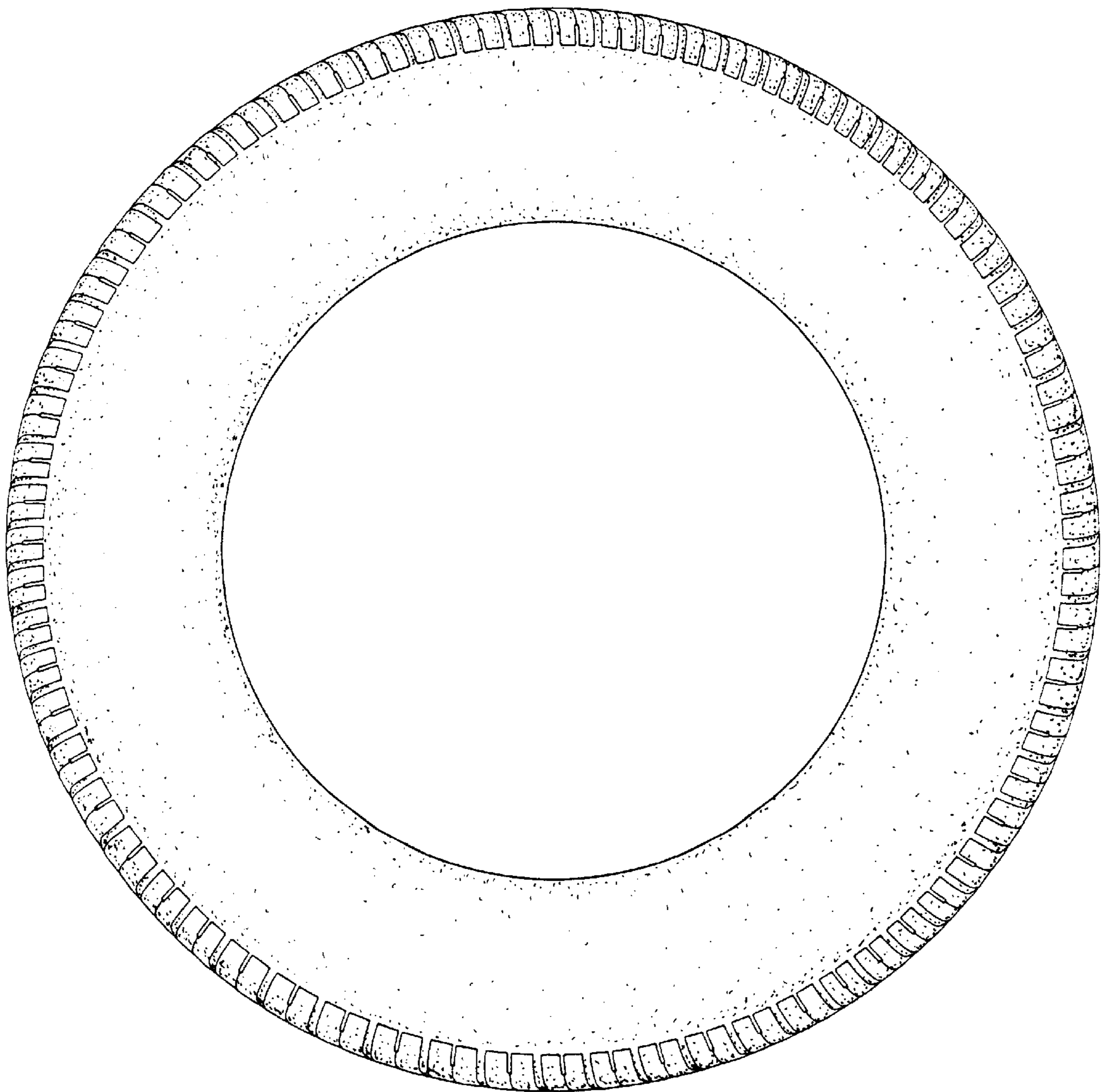


FIG. 3

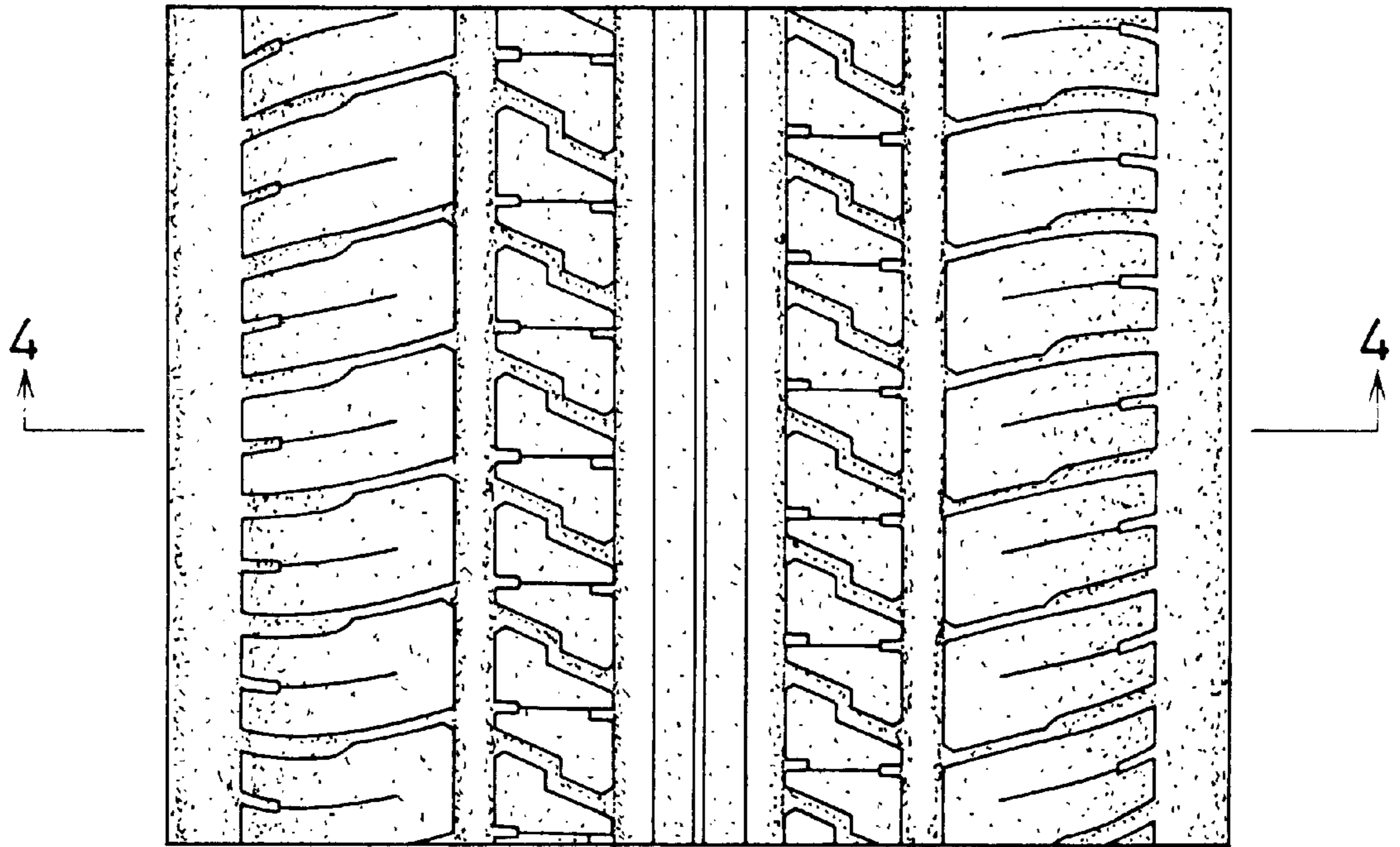


FIG. 4

