



US00D414721S

United States Patent [19]
Nakamura

[11] **Patent Number: Des. 414,721**
[45] **Date of Patent: ** Oct. 5, 1999**

[54] **POWER ASSISTED BICYCLE**
[75] **Inventor: Takuya Nakamura, Hamamatsu, Japan**
[73] **Assignee: Suzuki Motor Corporation, Shizuoka-ken, Japan**
[**] **Term: 14 Years**

981081 2/1997 Japan .
987481 5/1997 Japan .
1017371 5/1998 Japan .
1017395 5/1998 Japan .
1017477 5/1998 Japan .
1018319 6/1998 Japan .

[21] **Appl. No.: 29/091,226**
[22] **Filed: Jul. 24, 1998**

Primary Examiner—Pamela Burgess
Attorney, Agent, or Firm—Nath & Associates; Gary M. Nath

[51] **LOC (6) Cl. 12-11**
[52] **U.S. Cl. D12/111; D12/110**
[58] **Field of Search D12/111, 110; 280/281.1, 288.1, 288.3, 282, 267; 180/219**

[57] **CLAIM**

The ornamental design for a power assisted bicycle, as shown and described.

[56] **References Cited**
U.S. PATENT DOCUMENTS
D. 253,102 10/1979 Hahn D12/111
D. 291,291 8/1987 Voytko et al. D12/111
D. 386,723 11/1997 Fujieda D12/110

DESCRIPTION

FIG. 1 is a front and right-side perspective view of a power assisted bicycle showing my new design; FIG. 2 is a rear and left-side perspective view thereof; FIG. 3 is a front elevational view thereof; FIG. 4 is a rear elevational view thereof; FIG. 5 is a right-side view thereof; FIG. 6 is a left-side view thereof. FIG. 7 is a top plan view thereof; and, FIG. 8 is a bottom view thereof.

FOREIGN PATENT DOCUMENTS

911680 8/1994 Japan .
976915 12/1996 Japan .

1 Claim, 8 Drawing Sheets





FIG. 1



FIG. 2

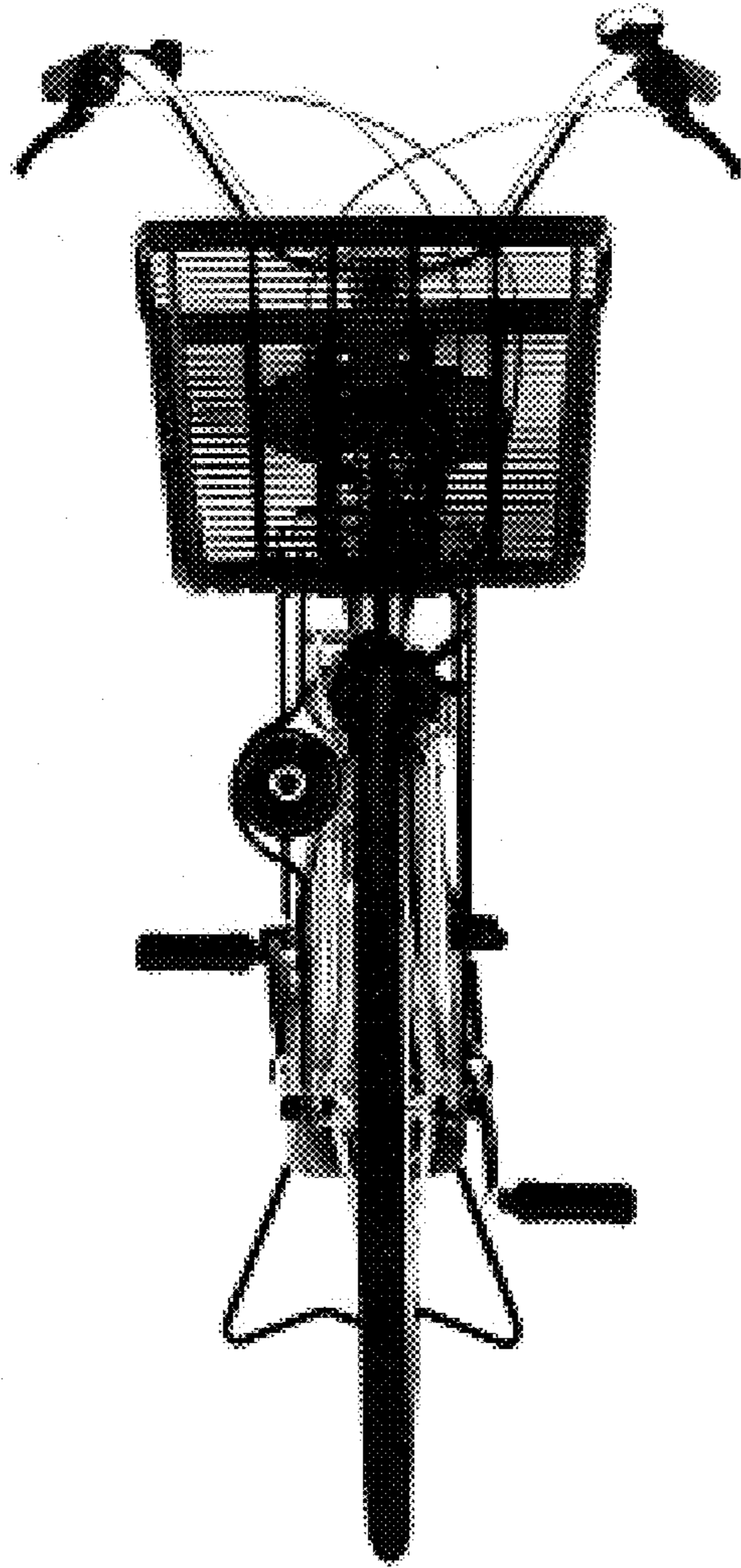


FIG. 3

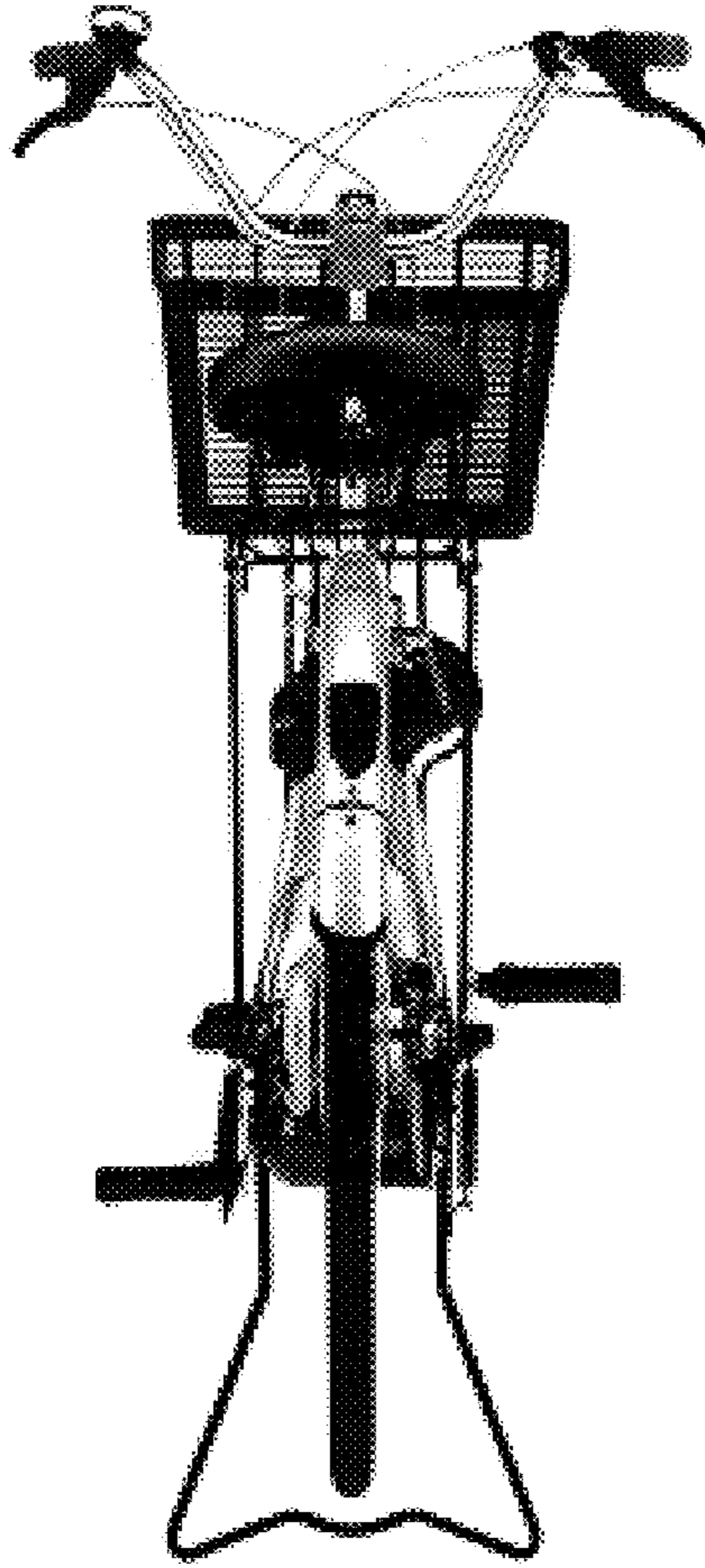


FIG. 4



FIG. 5



FIG. 6

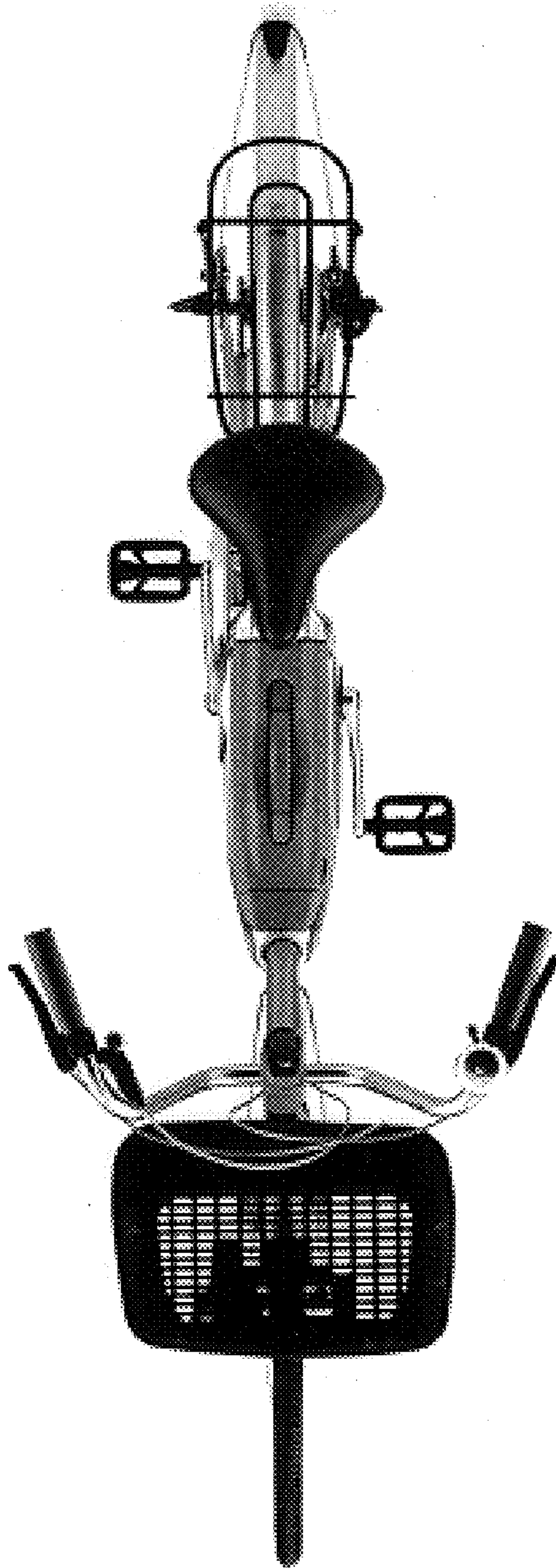


FIG. 7

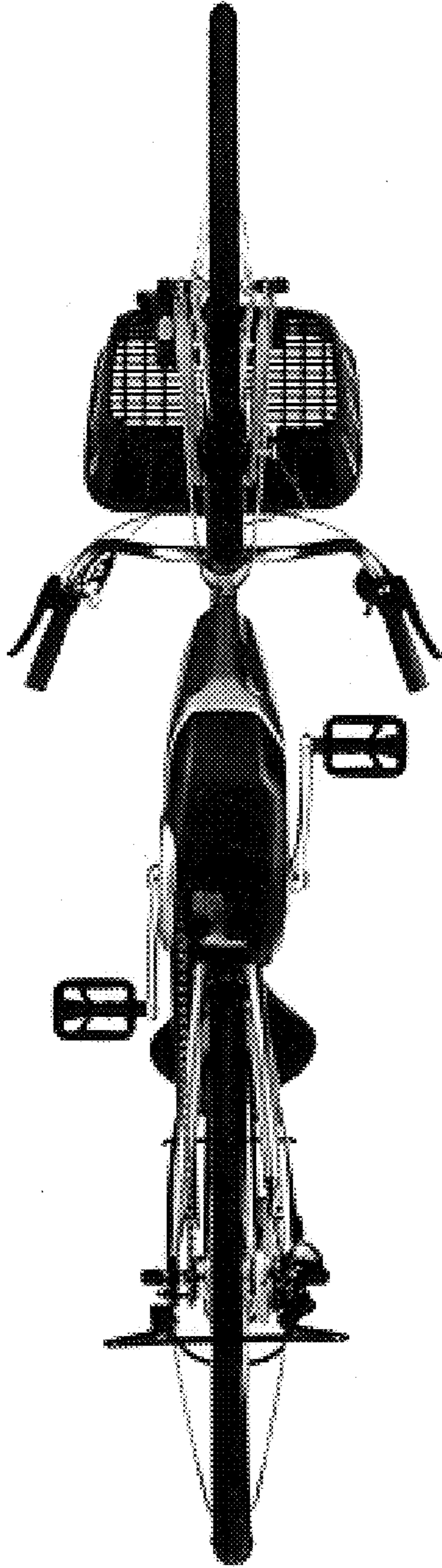


FIG. 8