



US00D414711S

United States Patent [19]
Hrncir

[11] **Patent Number: Des. 414,711**
[45] **Date of Patent: ** Oct. 5, 1999**

[54] **GAUGE DIAL**

3,739,641 6/1973 Taylor et al. 73/313
4,987,400 1/1991 Fekete 338/164

[75] Inventor: **Robert E. Hrncir**, Irving, Tex.

OTHER PUBLICATIONS

[73] Assignee: **Rochester Gauges, Inc.**, Dallas, Tex.

Rochester Gauges, Inc., Magnetel Liquid-Level Gauges, 6300 Series, Technical Data Sheet, 2 pages.
Rochester Gauges, Inc., Industrial Liquid Level Gauges, Specifications Brochure, 12 pages (undated).

[**] Term: **14 Years**

Primary Examiner—Antoine Duval Davis
Attorney, Agent, or Firm—Sidley & Austin

[21] Appl. No.: **29/102,464**

[22] Filed: **Mar. 24, 1999**

[51] **LOC (6) Cl.** **10-04**

[52] **U.S. Cl.** **D10/101; D10/103**

[58] **Field of Search** D10/101, 122,
D10/123, 126, 103, 74; 73/318, 317, 313,
305, 290 R; 116/204, 284, 56-62.4, 227,
264, 265, 271, DIG. 71, DIG. 20

[57] **CLAIM**

The ornamental design for a gauge dial, as shown and described.

DESCRIPTION

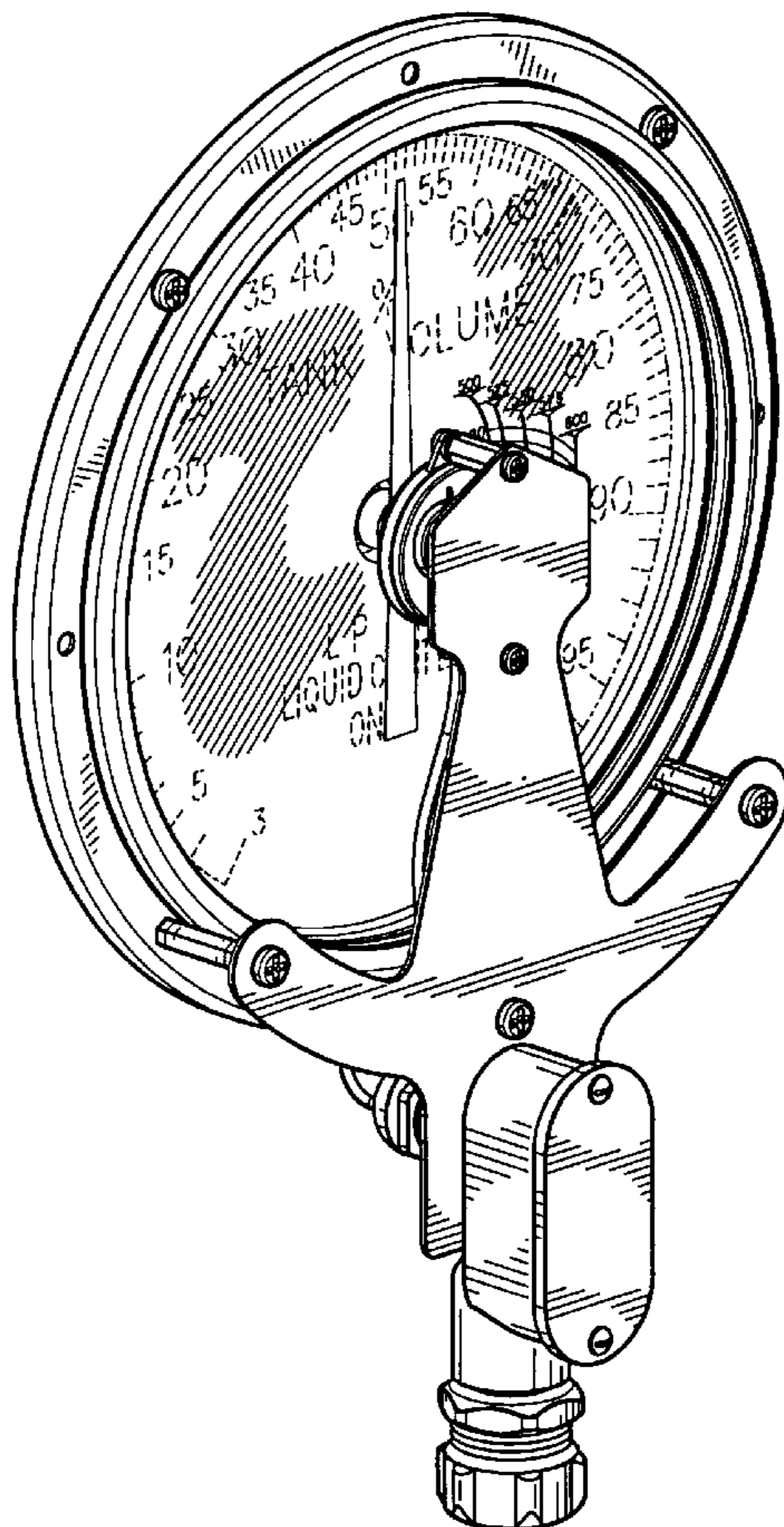
FIG. 1 is a perspective view of my gauge dial;
FIG. 2 is a front view thereof;
FIG. 3 is a right side view thereof, the opposite side view being symmetrical;
FIG. 4 is a back view thereof;
FIG. 5 is a top view thereof; and,
FIG. 6 is a bottom view thereof.
The broken line showing of the indicia in FIG. 1 is for illustrative purpose only and forms no part of the claimed design.

[56] **References Cited**

U.S. PATENT DOCUMENTS

D. 313,949	1/1991	Fekete	D10/101
D. 363,888	11/1995	Williamson	D10/96
D. 379,316	5/1997	Williamson	D10/96
D. 386,997	12/1997	Williamson	D10/96
D. 397,306	8/1998	Ross, Jr.	D10/103
D. 402,220	12/1998	Clifton	D10/96
2,836,144	5/1958	Morphis	116/129
2,992,560	7/1961	Morgan et al.	73/317
3,688,795	9/1972	Taylor	137/558

1 Claim, 2 Drawing Sheets



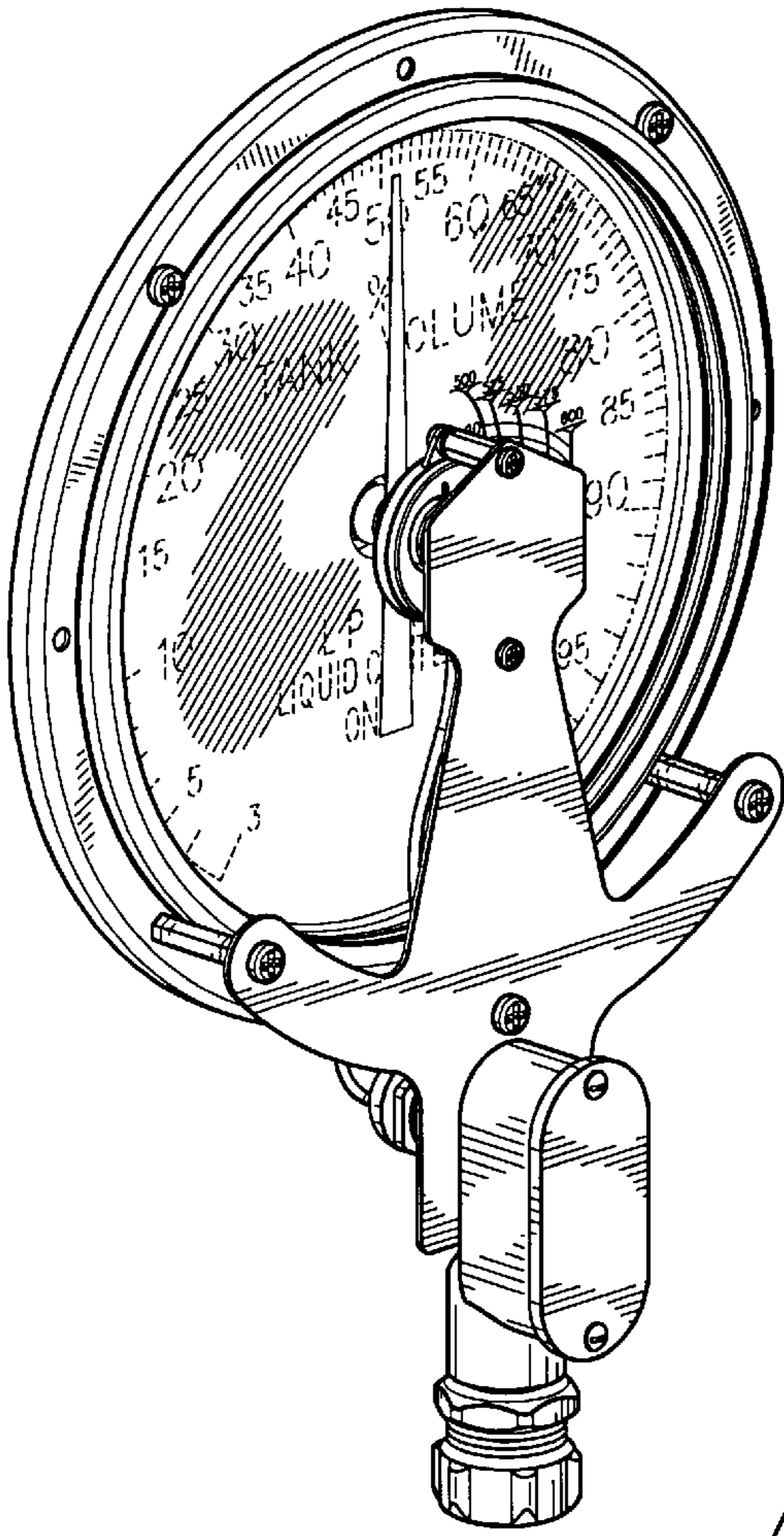


FIG. 1

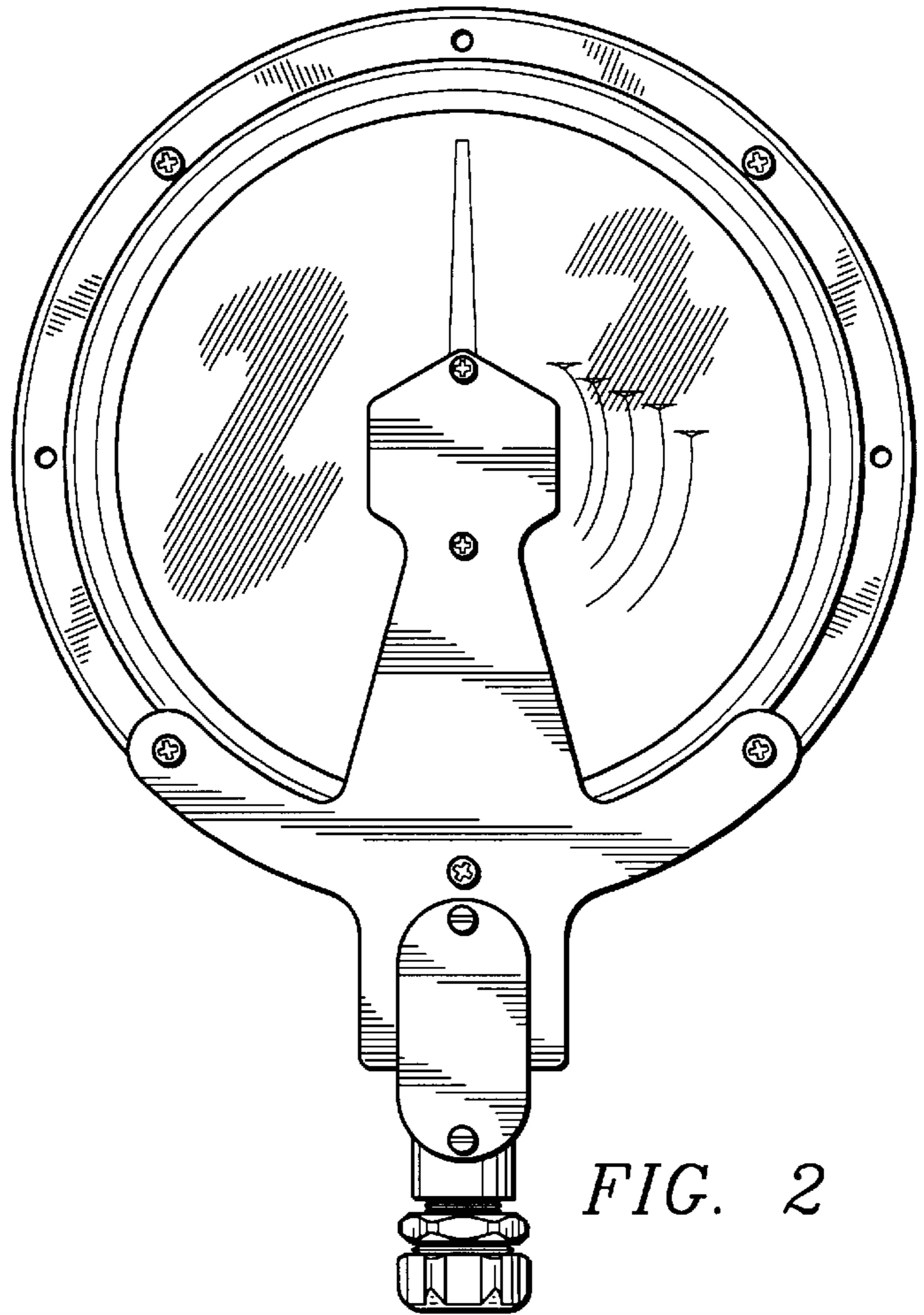


FIG. 2

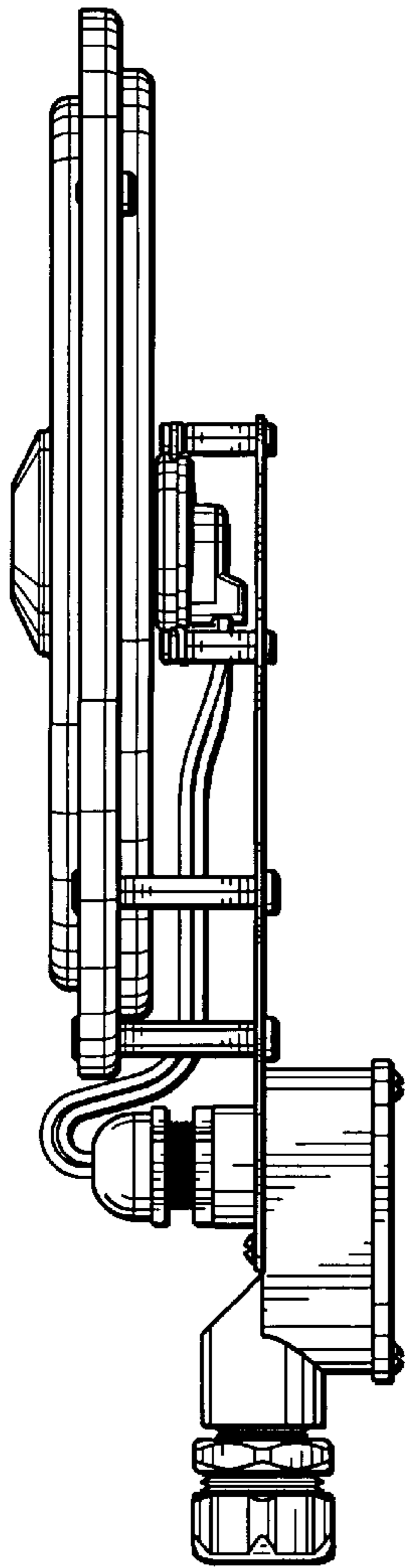


FIG. 3

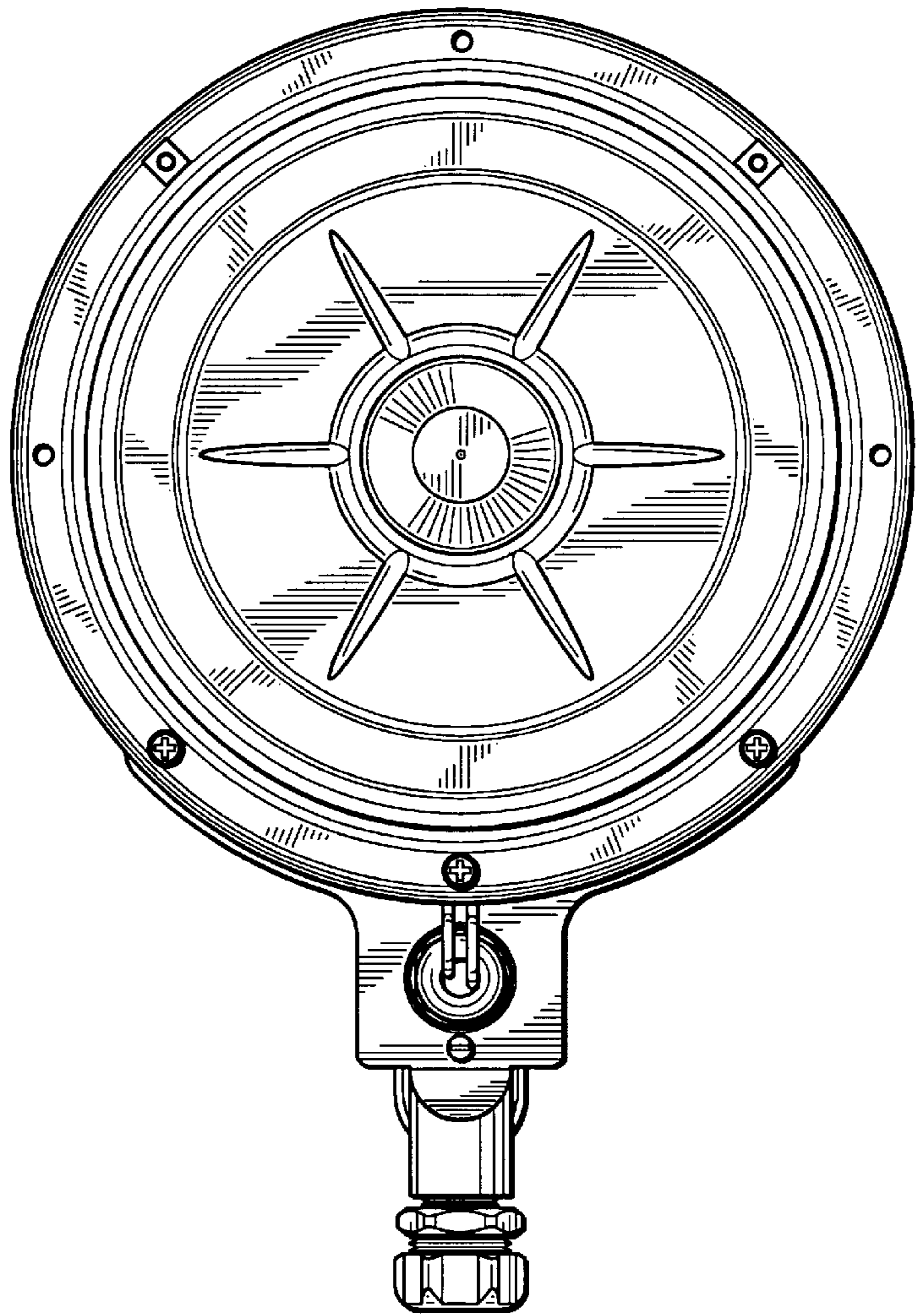


FIG. 4

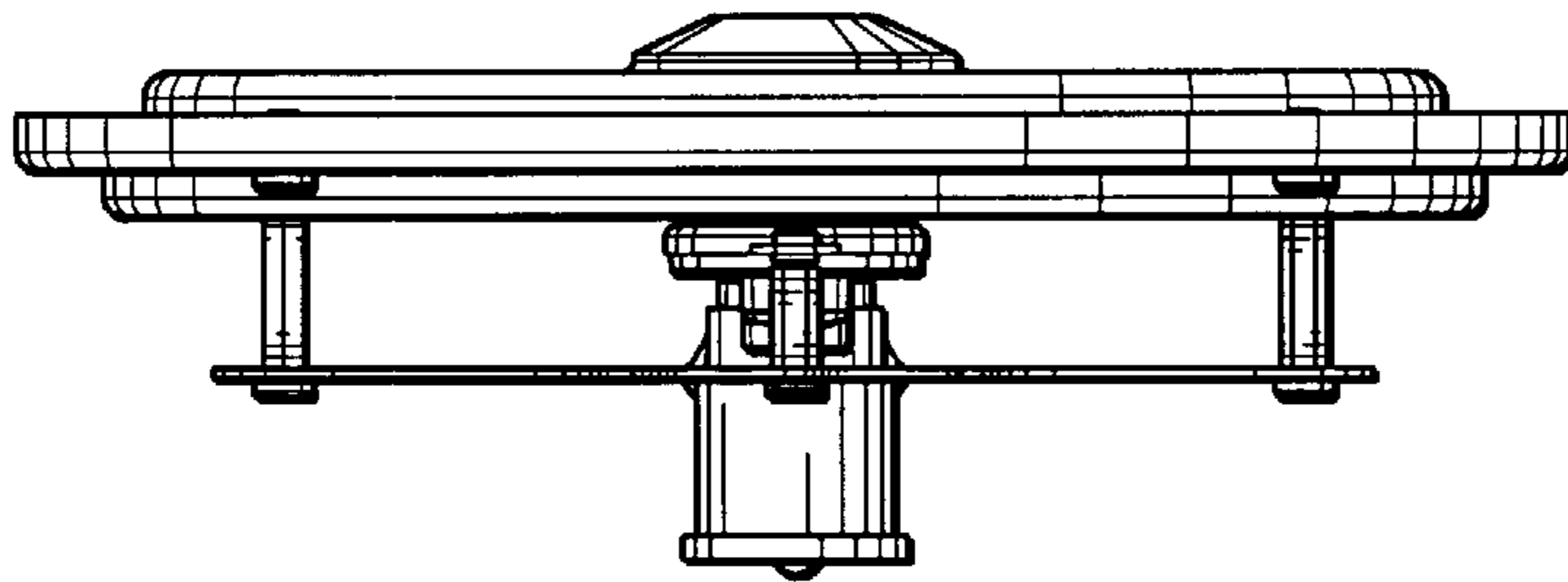


FIG. 5

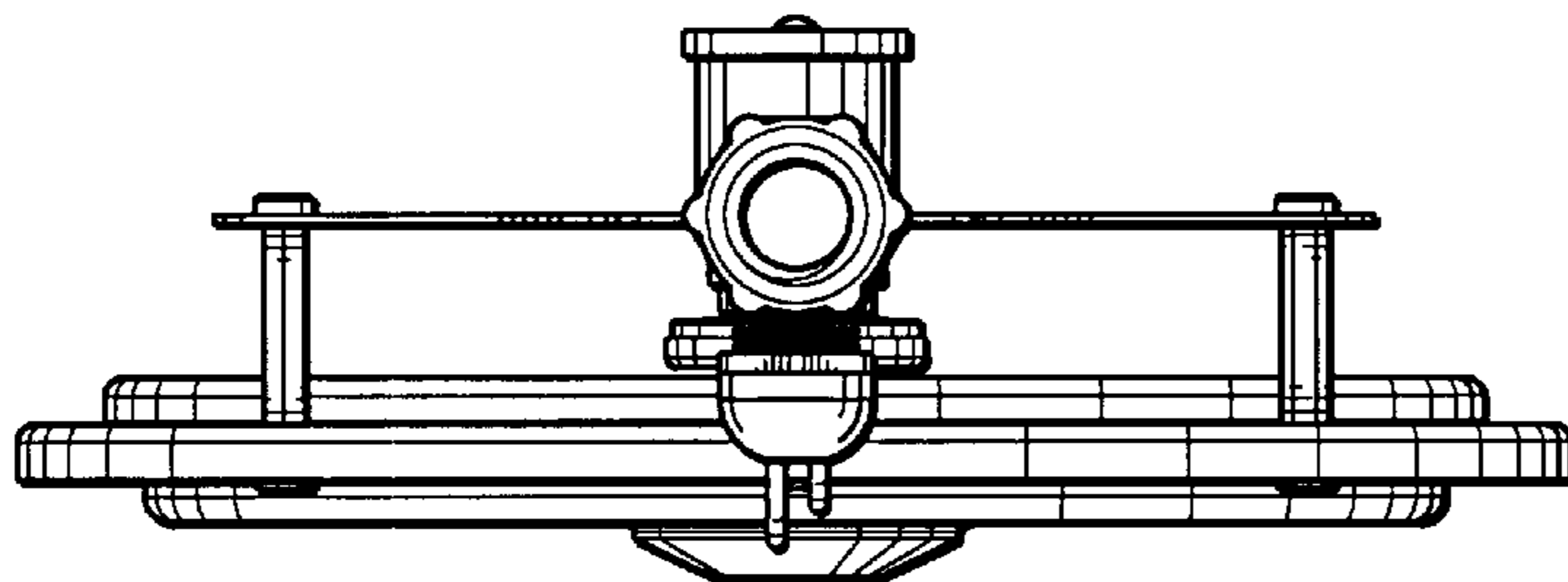


FIG. 6