



US00D414703S

# United States Patent [19]

Nosella

[11] **Patent Number: Des. 414,703**

[45] **Date of Patent: \*\* Oct. 5, 1999**

[54] **COSMETIC BOTTLE**

[75] Inventor: **Ermenegildo Nosella**, Miami, Fla.

[73] Assignee: **New High Glass**, Miami, Fla.

[\*\*] Term: **14 Years**

[21] Appl. No.: **29/099,318**

[22] Filed: **Jan. 19, 1999**

[51] **LOC (6) Cl.** ..... **09-01**

[52] **U.S. Cl.** ..... **D9/563; D9/544; D9/571**

[58] **Field of Search** ..... D9/571, 573, 574,  
D9/558, 544, 545, 563, 500, 503; 215/382,  
383, 384; 401/129

[56] **References Cited**

**U.S. PATENT DOCUMENTS**

- D. 87,397 7/1932 Marshburn et al. .... D9/563
- D. 117,266 10/1939 Gerhart ..... D9/500
- D. 223,437 4/1972 Lluch ..... D9/503

- D. 241,318 9/1976 Lewman ..... D9/563
- D. 308,635 6/1990 DiNuccio ..... D9/571

*Primary Examiner*—Lucy Lieberman

*Attorney, Agent, or Firm*—Hoffman, Wasson & Gitler

[57] **CLAIM**

The ornamental design for a cosmetic bottle, as shown and described.

**DESCRIPTION**

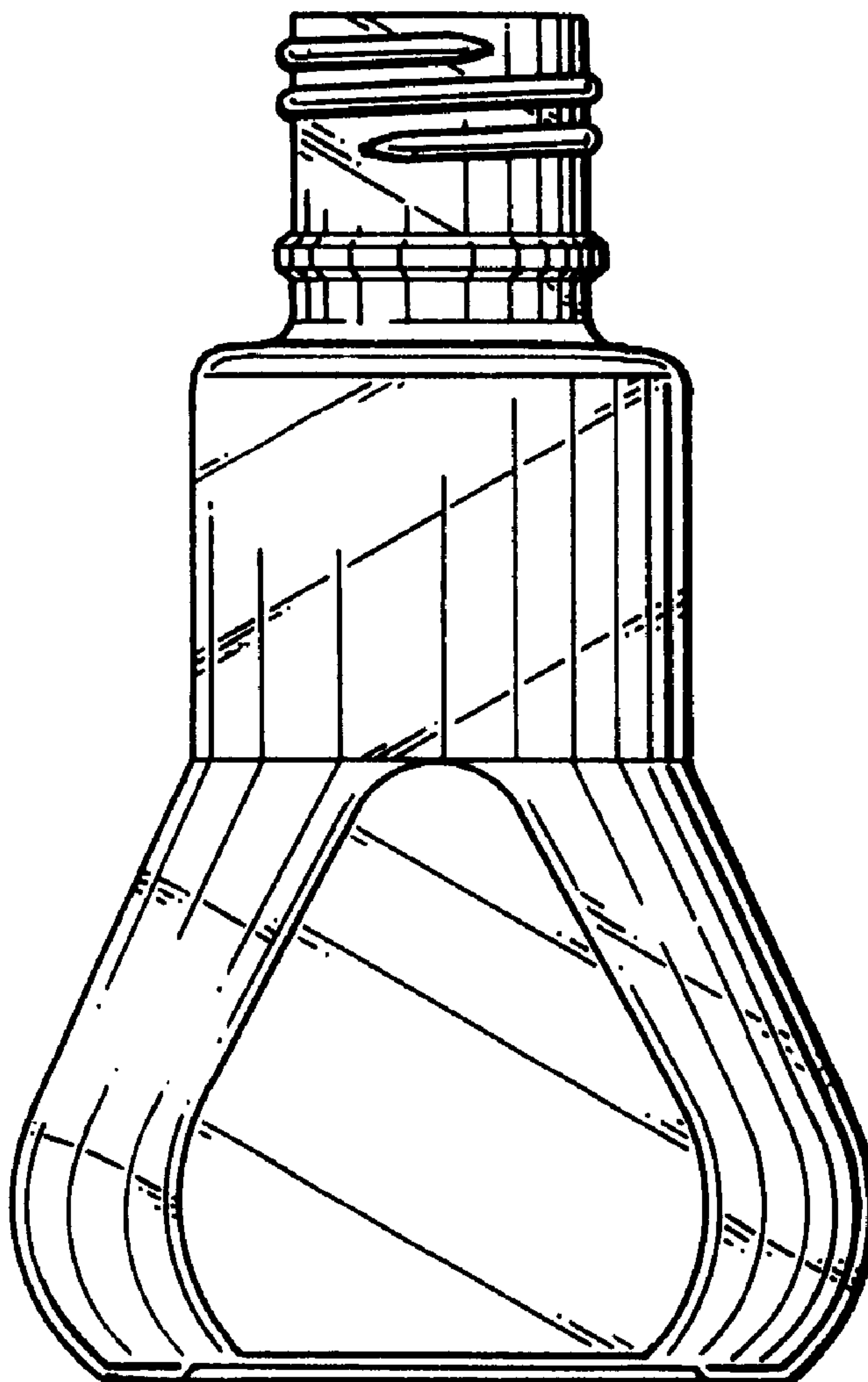
FIG. 1 is a front perspective view of a cosmetic bottle in accordance with the invention:

FIG. 2 is a front elevation thereof, the rear elevation is the same except for the conventional screw threading on the bottle neck:

FIG. 3 is a left side elevation, the right side elevation is the same except for the conventional screw threading on the bottle neck:

FIG. 4 is a bottom view of the cosmetic bottle of FIG. 1; and, FIG. 5 is a top view of the cosmetic bottle of FIG. 1.

**1 Claim, 2 Drawing Sheets**



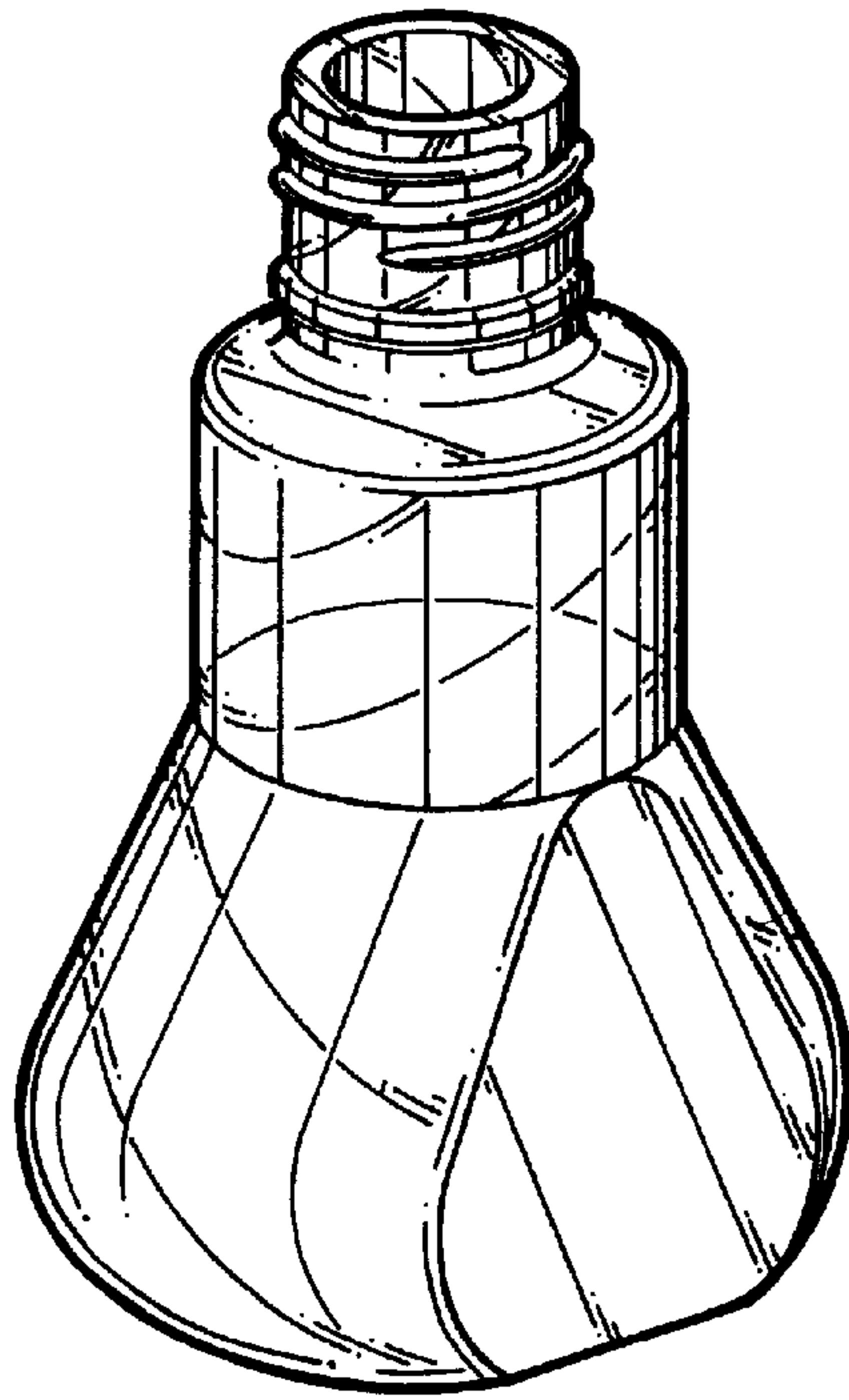


FIG. 1

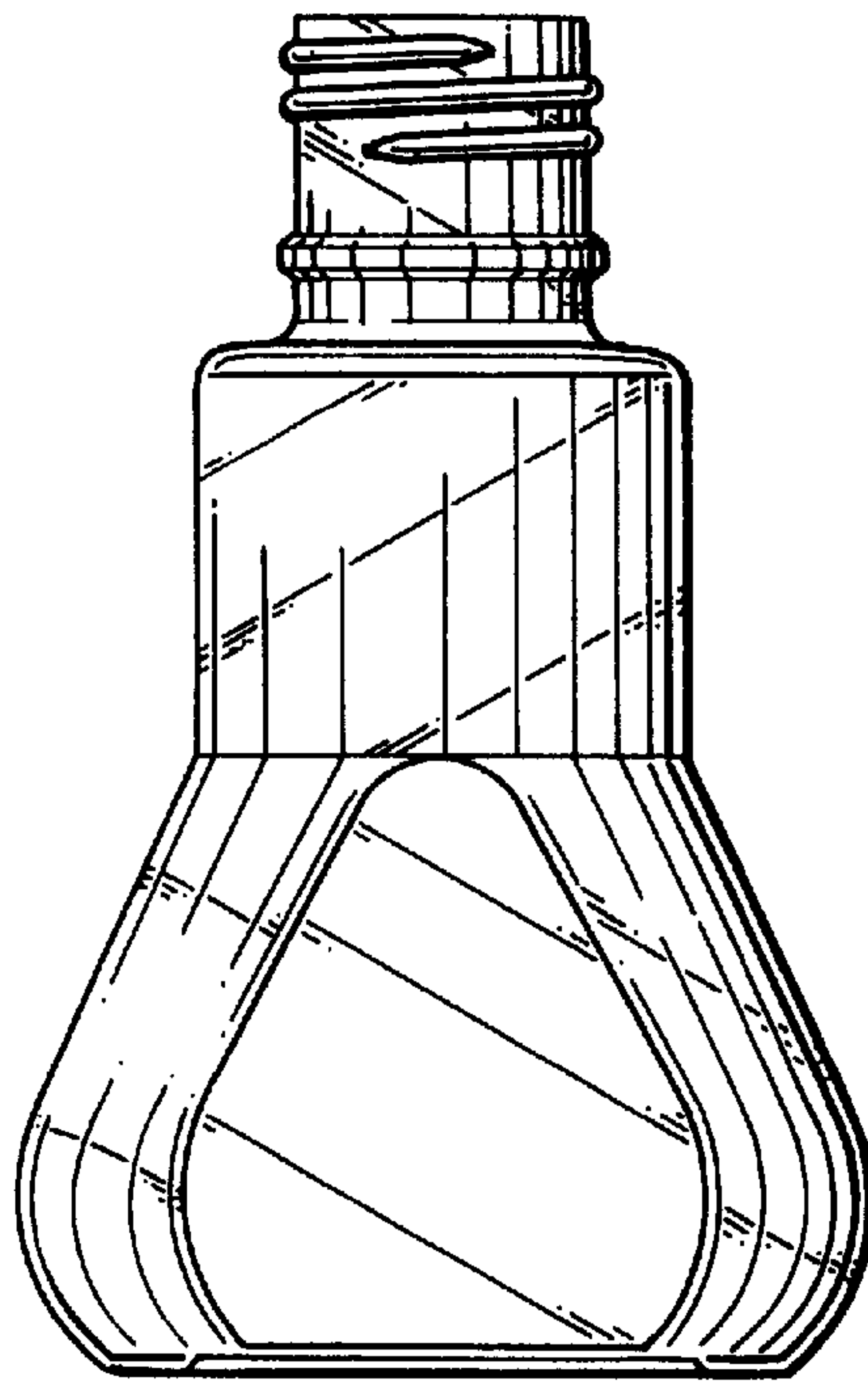


FIG. 2

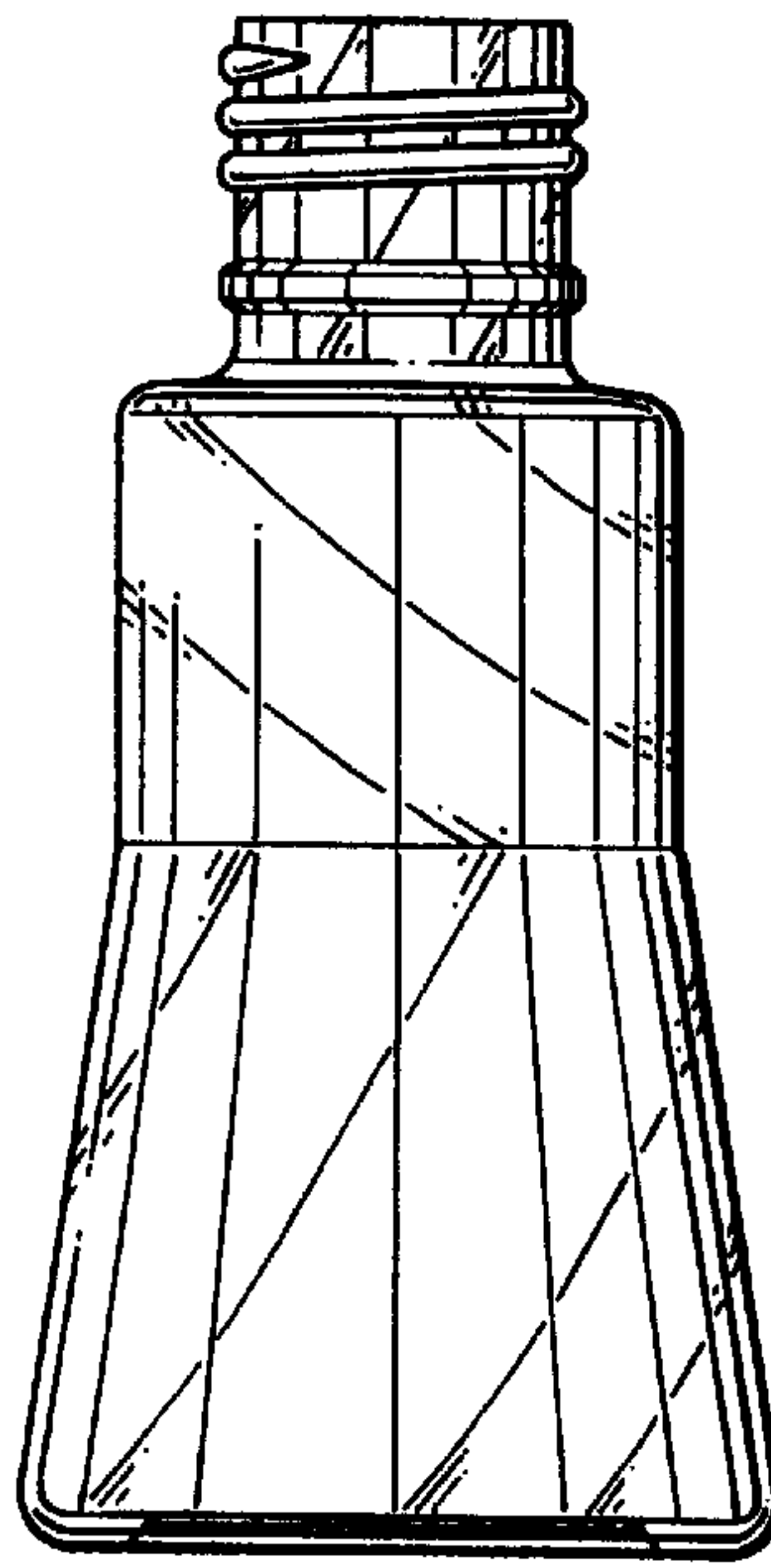


FIG. 3

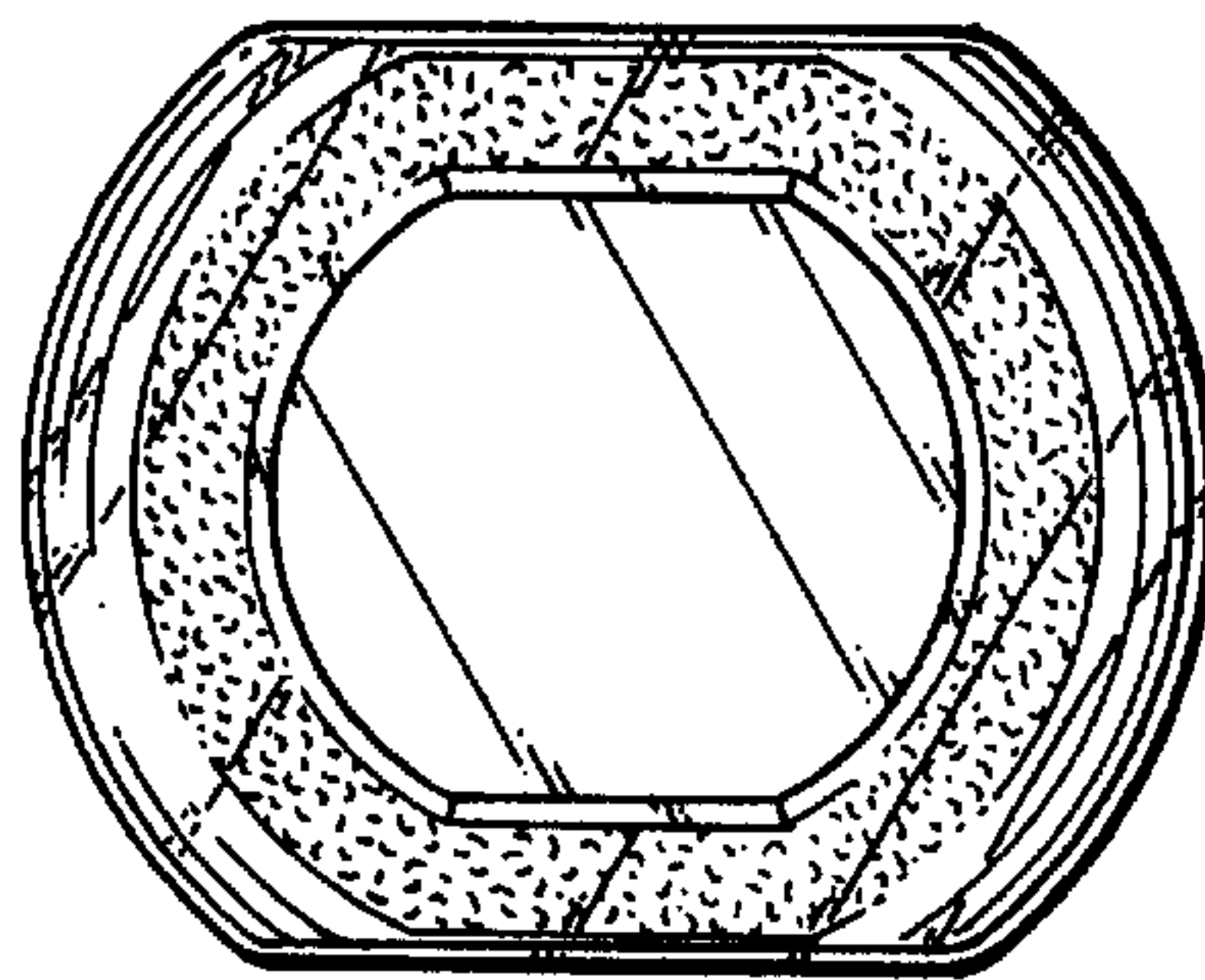


FIG. 4

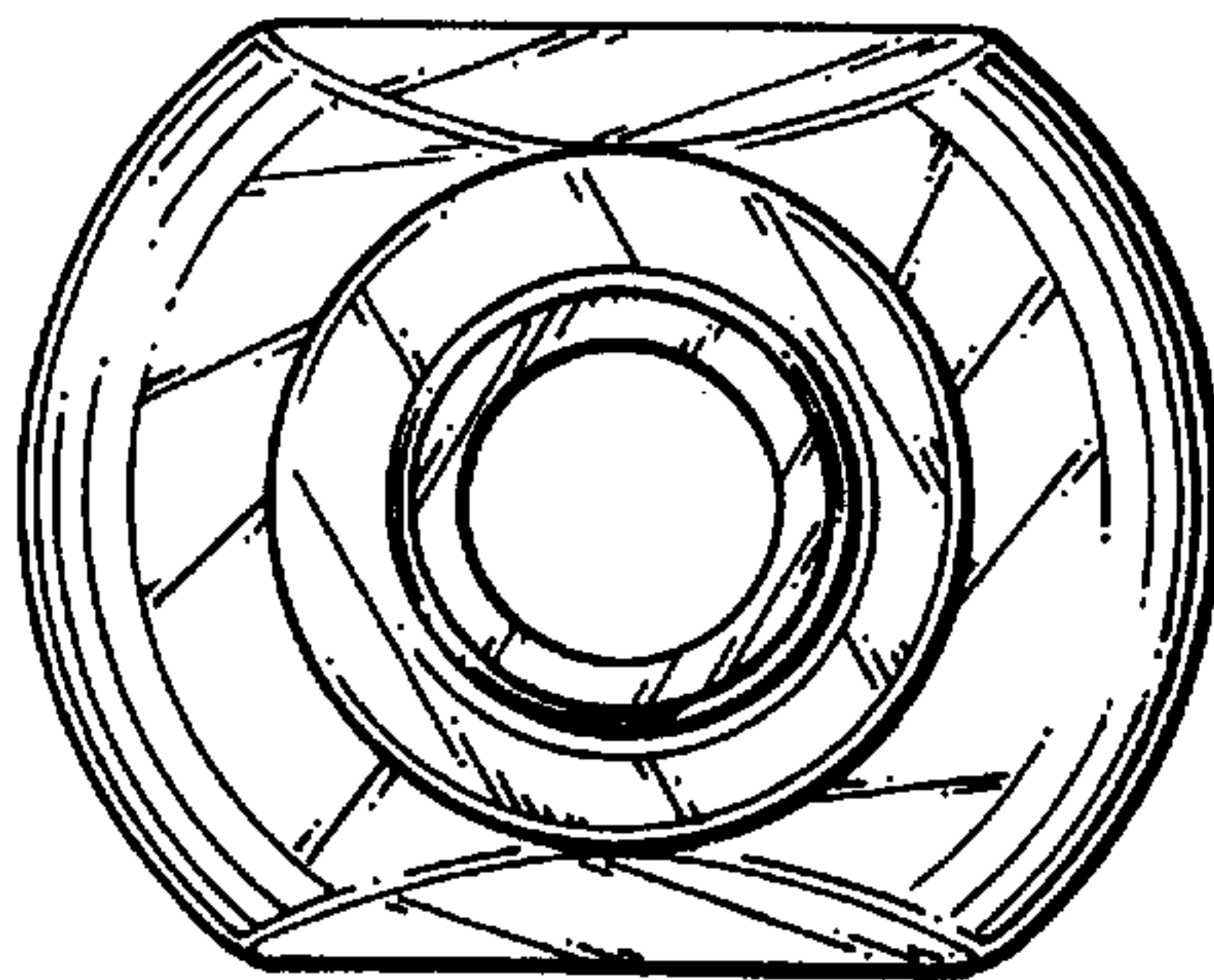


FIG. 5