



US00D414694S

United States Patent [19] Richter

[11] Patent Number: **Des. 414,694**

[45] Date of Patent: **** Oct. 5, 1999**

[54] **PAINT SEALING CAP**

[76] Inventor: **Charles George Richter**, 36695
Palmdale Rd., Rancho Mirage, Calif.
92270

[**] Term: **14 Years**

[21] Appl. No.: **29/087,551**

[22] Filed: **May 5, 1998**

[51] **LOC (6) Cl.** **09-07**

[52] **U.S. Cl.** **D9/439**

[58] **Field of Search** D9/434, 435, 438,
D9/439, 454; D24/224; D32/53, 54; 215/355,
363, 364; 220/733, 789, 790, DIG. 19

4,583,654	4/1986	Pufpaff et al.	220/789
4,713,974	12/1987	Stone .	
4,760,935	8/1988	Van Den Beld et al.	220/789
4,862,753	9/1989	Lovette et al. .	
4,927,605	5/1990	Dorn .	
4,949,744	8/1990	Heed et al. .	
5,049,492	9/1991	Sauer et al. .	
5,071,017	12/1991	Stull .	
5,081,872	1/1992	Greter .	
5,111,946	5/1992	Glanz .	
5,145,085	9/1992	Yost .	
5,261,551	11/1993	Watt .	
5,297,599	3/1994	Bucheli .	
5,299,464	4/1994	Bennett .	
5,660,302	8/1997	Trout	220/790
5,868,264	2/1999	Fulford et al.	215/364 X

[56] **References Cited**

U.S. PATENT DOCUMENTS

D. 199,155	9/1964	Hannon	D9/439 X
204,625	6/1878	Silsbee .	
D. 248,453	7/1978	Summers	D9/439
D. 314,337	2/1991	Norton	D9/438
D. 334,710	4/1993	Picozza	D9/454
D. 349,648	8/1994	Tirrell et al.	D9/439
D. 374,401	10/1996	Behnen, Jr.	D9/434
769,021	8/1904	Risse	215/364
2,436,291	2/1948	Daniel .	
2,835,246	5/1958	Boettger .	
2,844,964	7/1958	Guibert .	
3,291,295	12/1966	Caligiuri .	
3,894,650	7/1975	Crump .	
3,938,686	2/1976	Milligan et al. .	
3,945,528	3/1976	Mowrey, Jr. .	
4,517,851	5/1985	Tice .	

Primary Examiner—Cathron B. Matta
Attorney, Agent, or Firm—Curtis L. Harrington

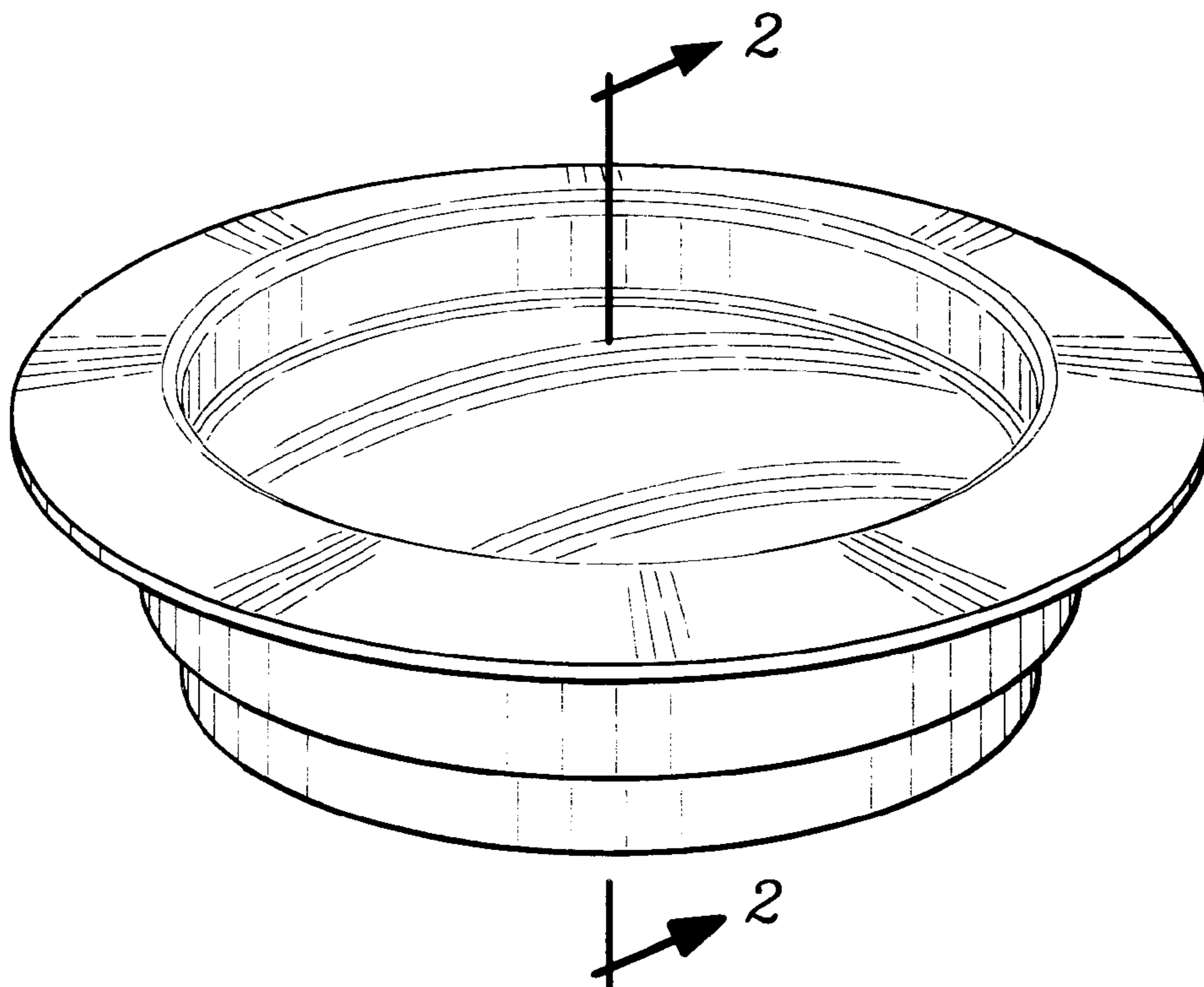
[57] **CLAIM**

The ornamental design for a paint sealing cap, as shown and described.

DESCRIPTION

FIG. 1 is an upper perspective view of the paint sealing cap showing my new design;
FIG. 2 is a sectional view along line 2—2 of FIG. 1 to more clearly illustrate the elements of the exterior surfaces of the design;
FIG. 3 is a side view thereof, all other side views being identical;
FIG. 4 is a top view thereof; and,
FIG. 5 is a bottom view thereof.

1 Claim, 2 Drawing Sheets



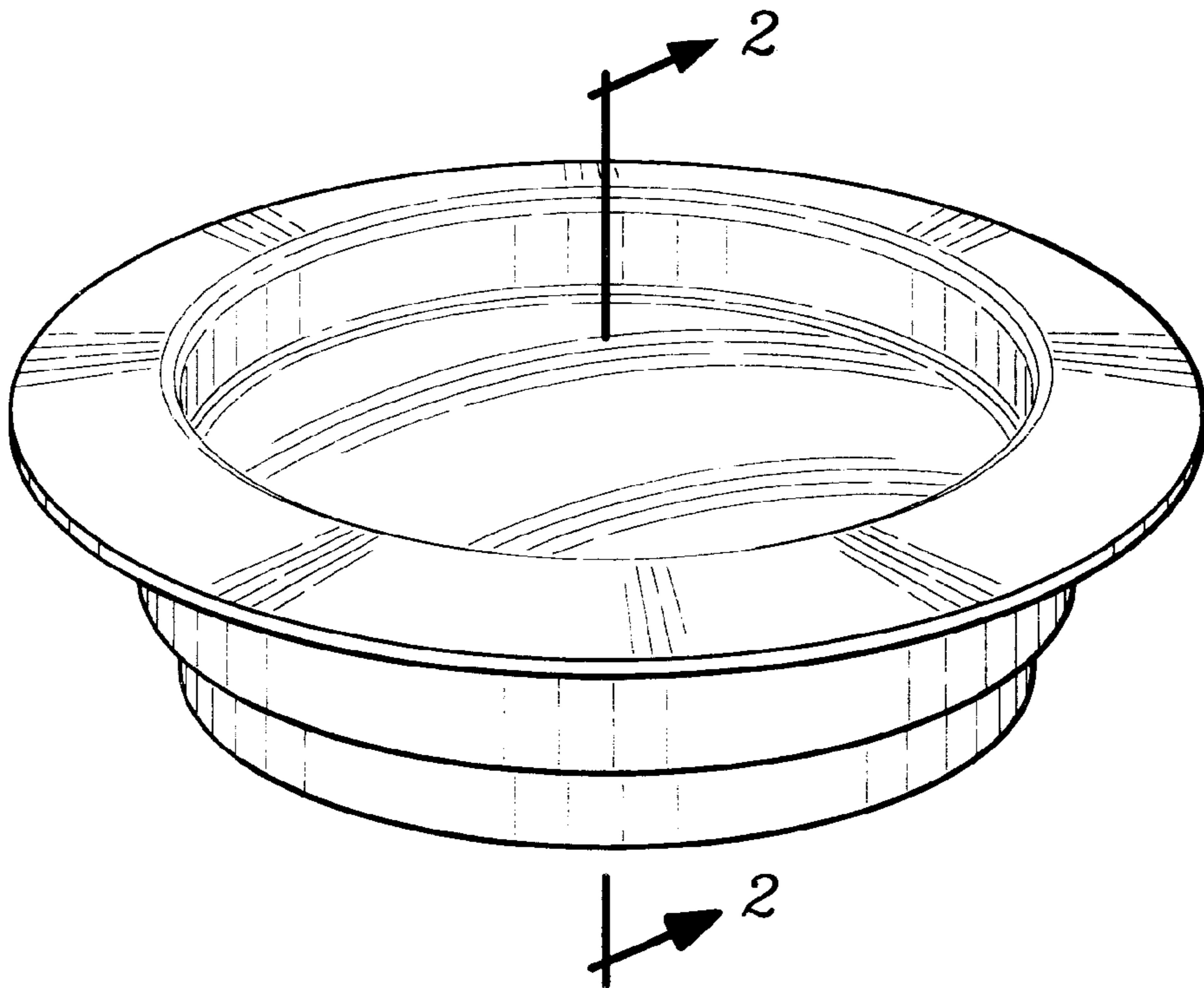


Fig. 1

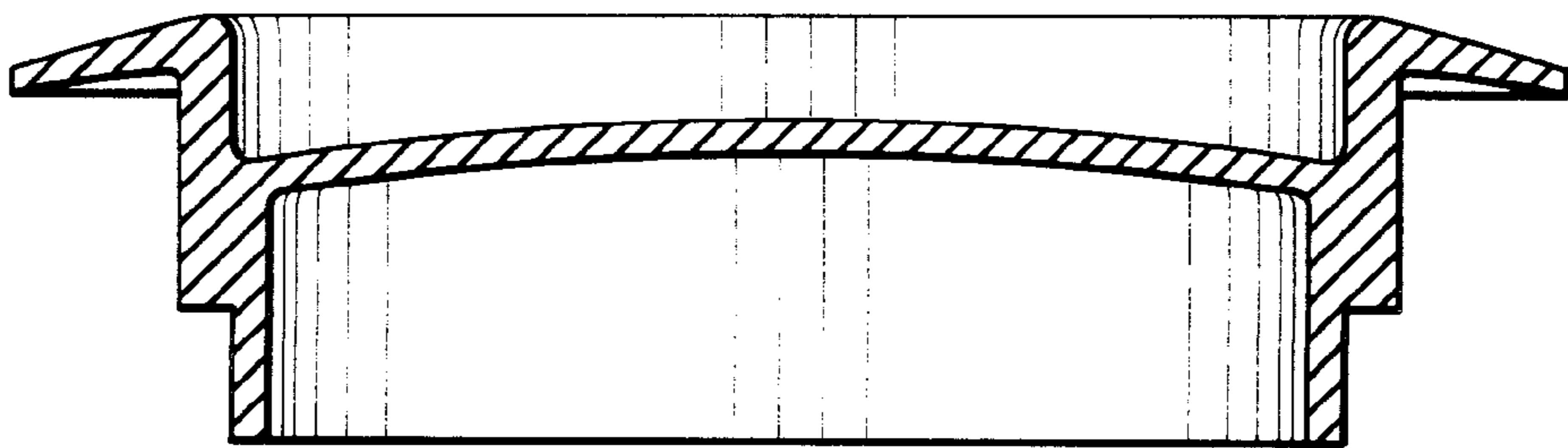


Fig. 2

Fig. 4

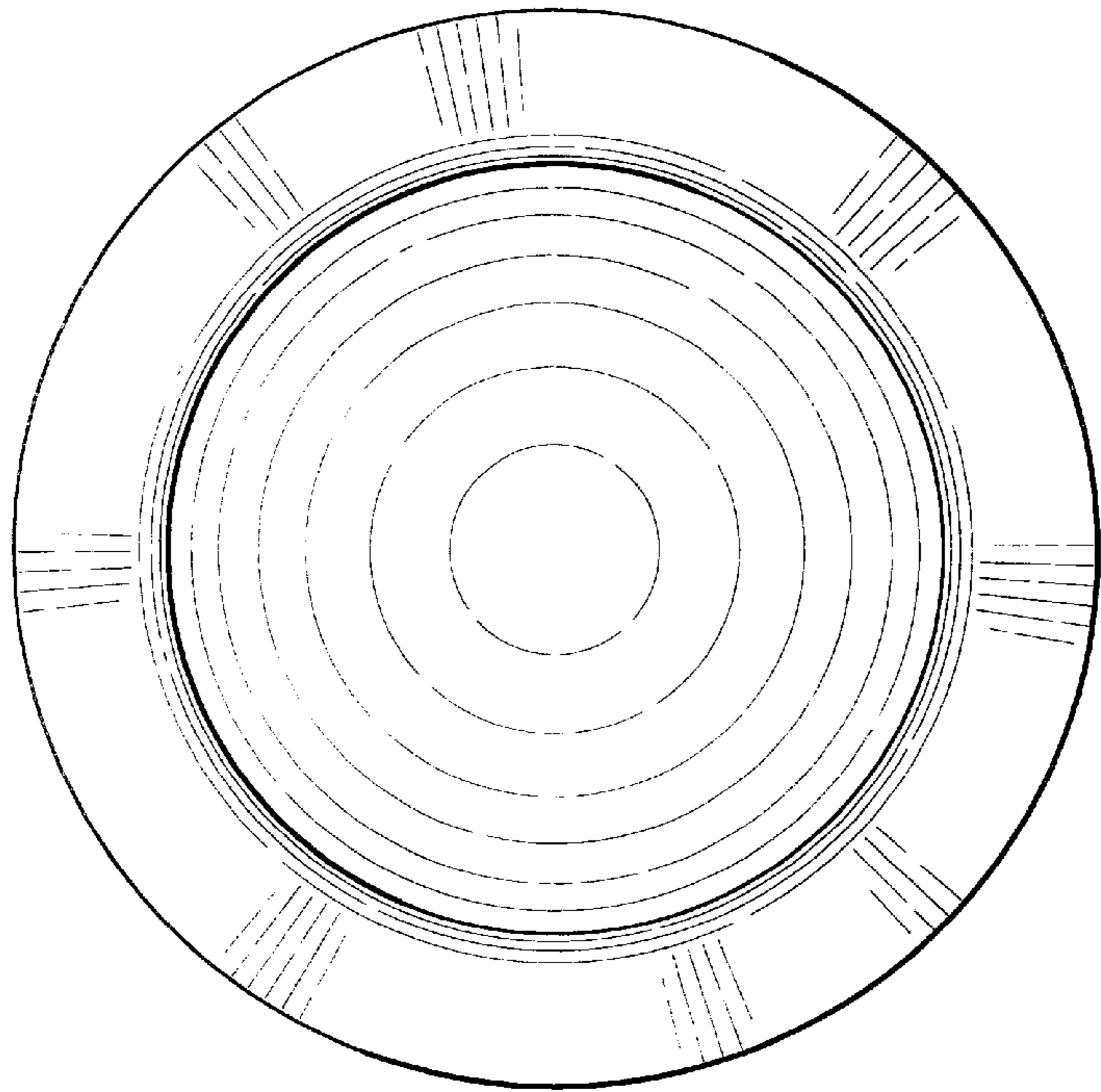


Fig. 3

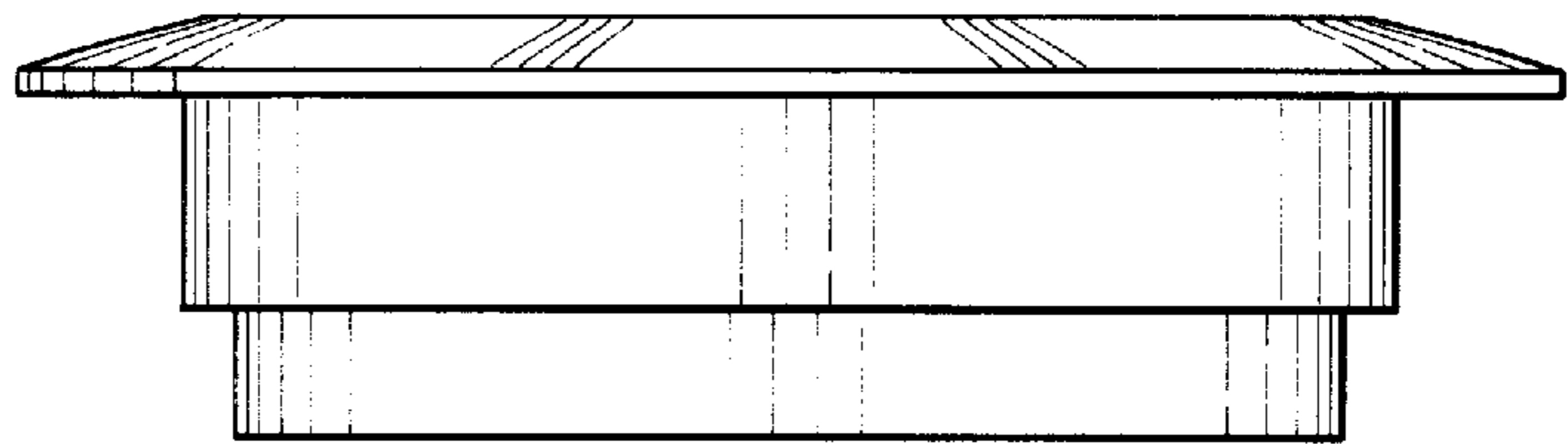


Fig. 5

