



US00D414687S

United States Patent [19] Rivera

[11] **Patent Number: Des. 414,687**

[45] **Date of Patent: ** Oct. 5, 1999**

[54] **GLOVE BOTTLE**

D. 255,214 6/1980 Creighton, Jr. D9/314

[75] Inventor: **Efrain Rivera**, Greenville, S.C.

Primary Examiner—Dominic Simone
Attorney, Agent, or Firm—Clifton Ted Hunt

[73] Assignee: **Package Supply & Equipment Co., Inc.**, Greenville, S.C.

[57] **CLAIM**

[**] Term: **14 Years**

The ornamental design for a glove bottle, as described and shown.

[21] Appl. No.: **29/088,885**

DESCRIPTION

[22] Filed: **Jun. 3, 1998**

FIG. 1 is a side view of the glove bottle, showing in phantom lines a person's forearm; the phantom line disclosure not being a part of the design, but for environmental purposes to illustrate that a person's hand will fit inside the glove; FIG. 2 is a top view of the glove bottle; FIG. 3 is a front view of the glove bottle; FIG. 4 is a side view of the glove bottle, looking at the side not shown in FIG. 1; and, FIG. 5 is a perspective view looking at the rear of the glove bottle and at the side of the glove bottle shown in FIG. 4.

[51] **LOC (6) Cl. 09-05**

[52] **U.S. Cl. D9/319; D9/314**

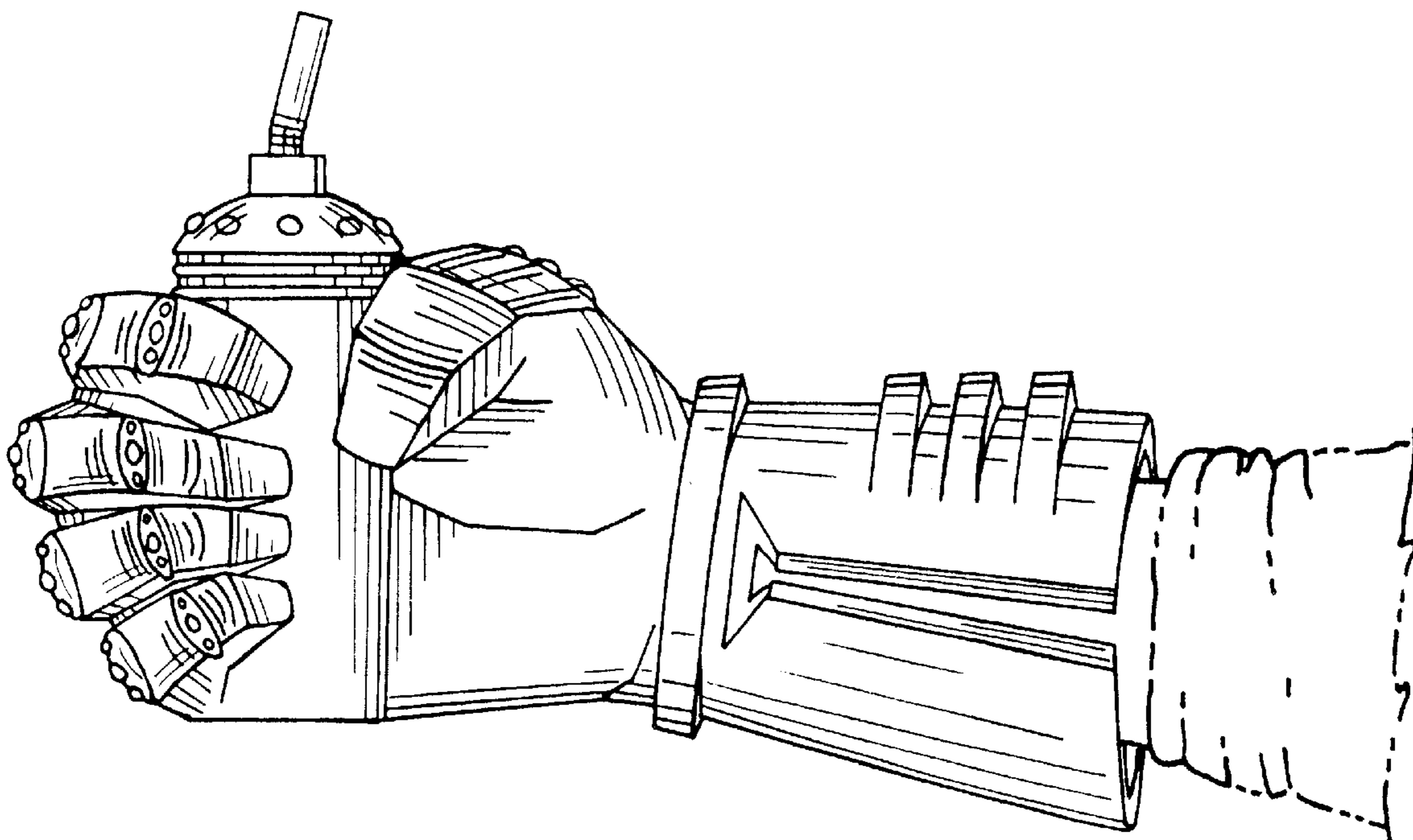
[58] **Field of Search D9/311, 314, 319; D11/150, 160; 206/457, 458**

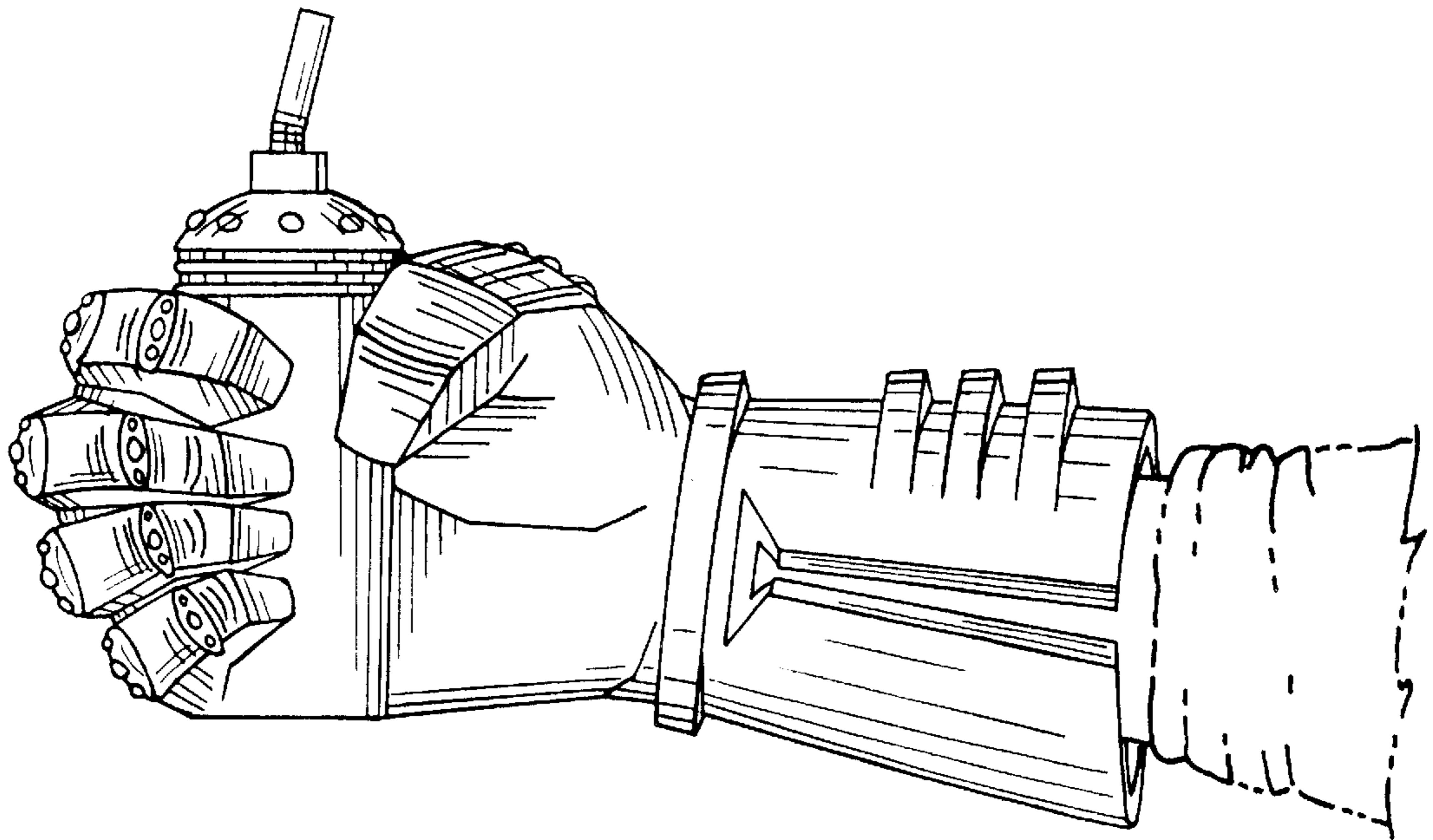
[56] **References Cited**

U.S. PATENT DOCUMENTS

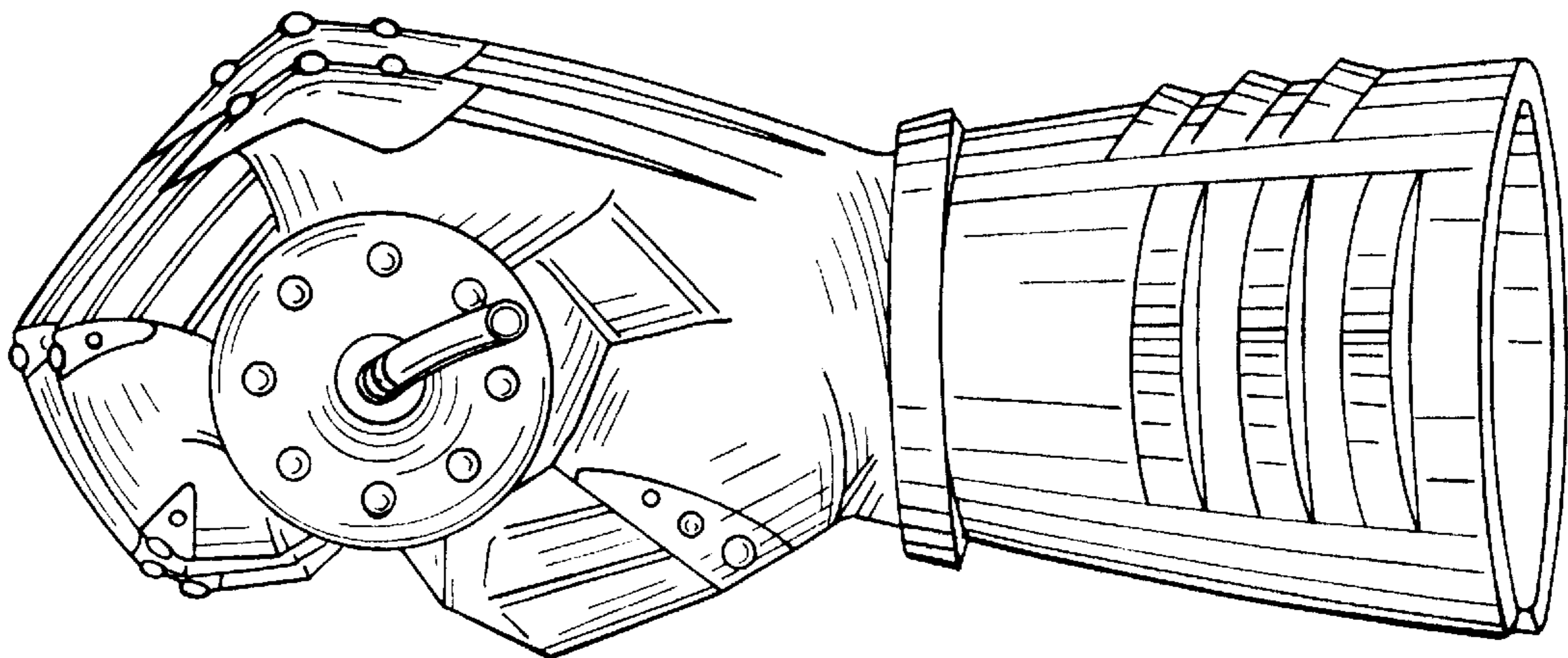
- D. 85,490 11/1931 Oestreich D9/314
- D. 208,333 8/1967 Lincoln et al. D9/314

1 Claim, 3 Drawing Sheets





— *FIG. 1.*



— *FIG. 2.*

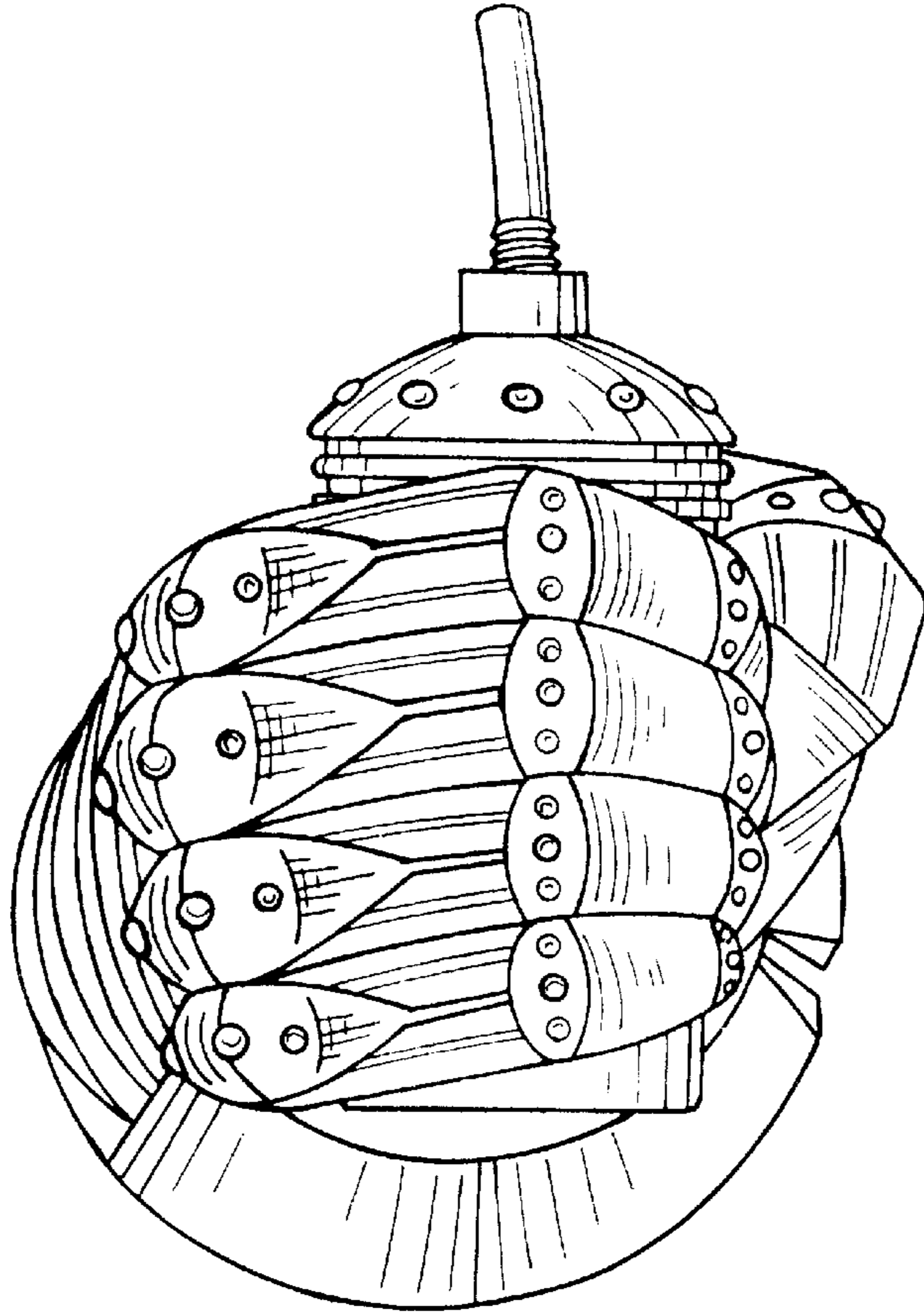


FIG. 3.

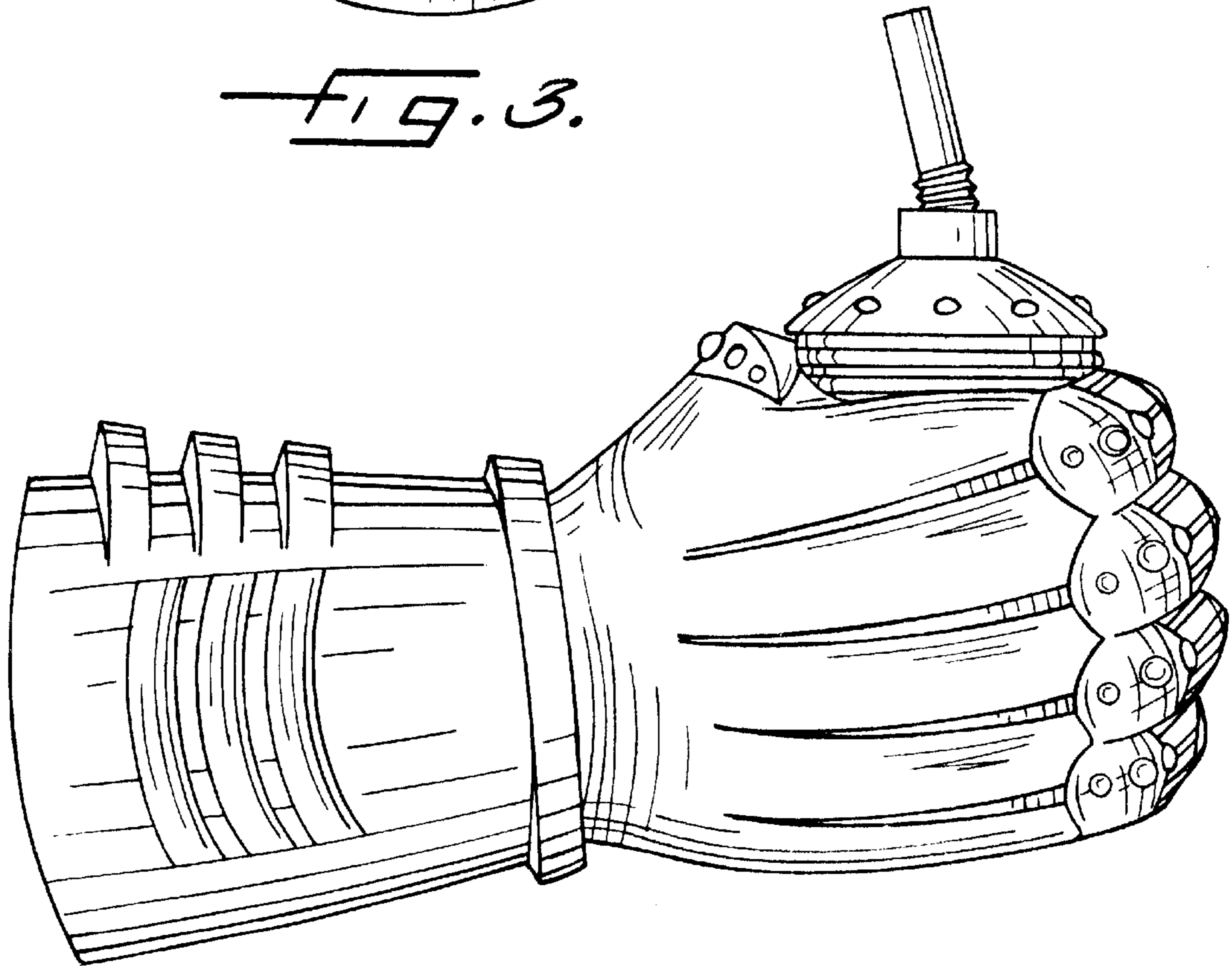


FIG. 4.

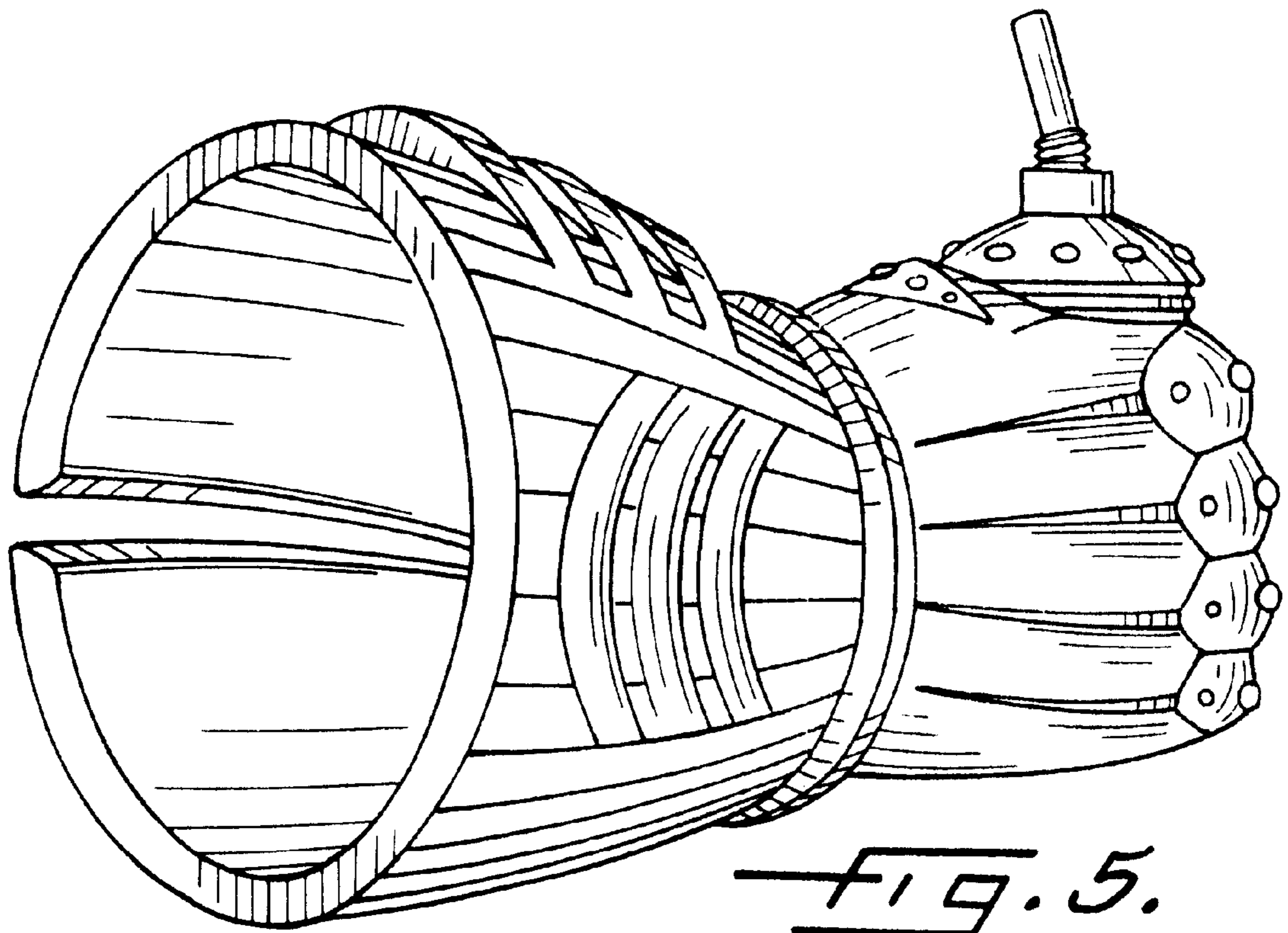


FIG. 5.