



US00D414683S

United States Patent [19]

[11] **Patent Number: Des. 414,683**

DeJong et al.

[45] **Date of Patent: ** Oct. 5, 1999**

[54] **SPRAY BOTTLE HOUSING**

Attorney, Agent, or Firm—Robert A. Franks

[75] Inventors: **Stuart DeJong**, Easton, Pa.; **Richard J. Haan**, Germantown; **Fred M. Killinger**, Cordova, both of Tenn.

[57] **CLAIM**

The ornamental design for a spray bottle housing, as shown and described.

[73] Assignee: **Schering-Plough HealthCare Products, Inc.**, Memphis, Tenn.

DESCRIPTION

[**] Term: **14 Years**

[21] Appl. No.: **29/085,955**

[22] Filed: **Apr. 2, 1998**

[51] **LOC (6) Cl.** **09-01**

[52] **U.S. Cl.** **D9/300**

[58] **Field of Search** D9/300, 455; D7/624; D24/110, 113; 128/200.14, 200.21, 200.22; 222/3, 162, 173, 175, 182, 183, 325, 402.12, 402.13; 239/288.5, 337; 604/212, 214

FIG. 1 is a perspective view of a spray bottle housing, showing our new design;
FIG. 2 is a side view of the housing, the other side being a mirror image thereof;
FIG. 3 is an end view of the housing, facing the trigger;
FIG. 4 is a view of the end of the housing directly opposite the trigger;
FIG. 5 is a top view of the housing;
FIG. 6 is a bottom view of the housing;
FIG. 7 is a perspective view of a version of the spray bottle housing equipped with a trigger lock;
FIG. 8 is an end view of the housing version of FIG. 7, facing the trigger;
FIG. 9 is a side view of the housing of FIG. 7, the other side being a mirror image thereof; and,
FIG. 10 is a top view of the housing of FIG. 7.

[56] **References Cited**

U.S. PATENT DOCUMENTS

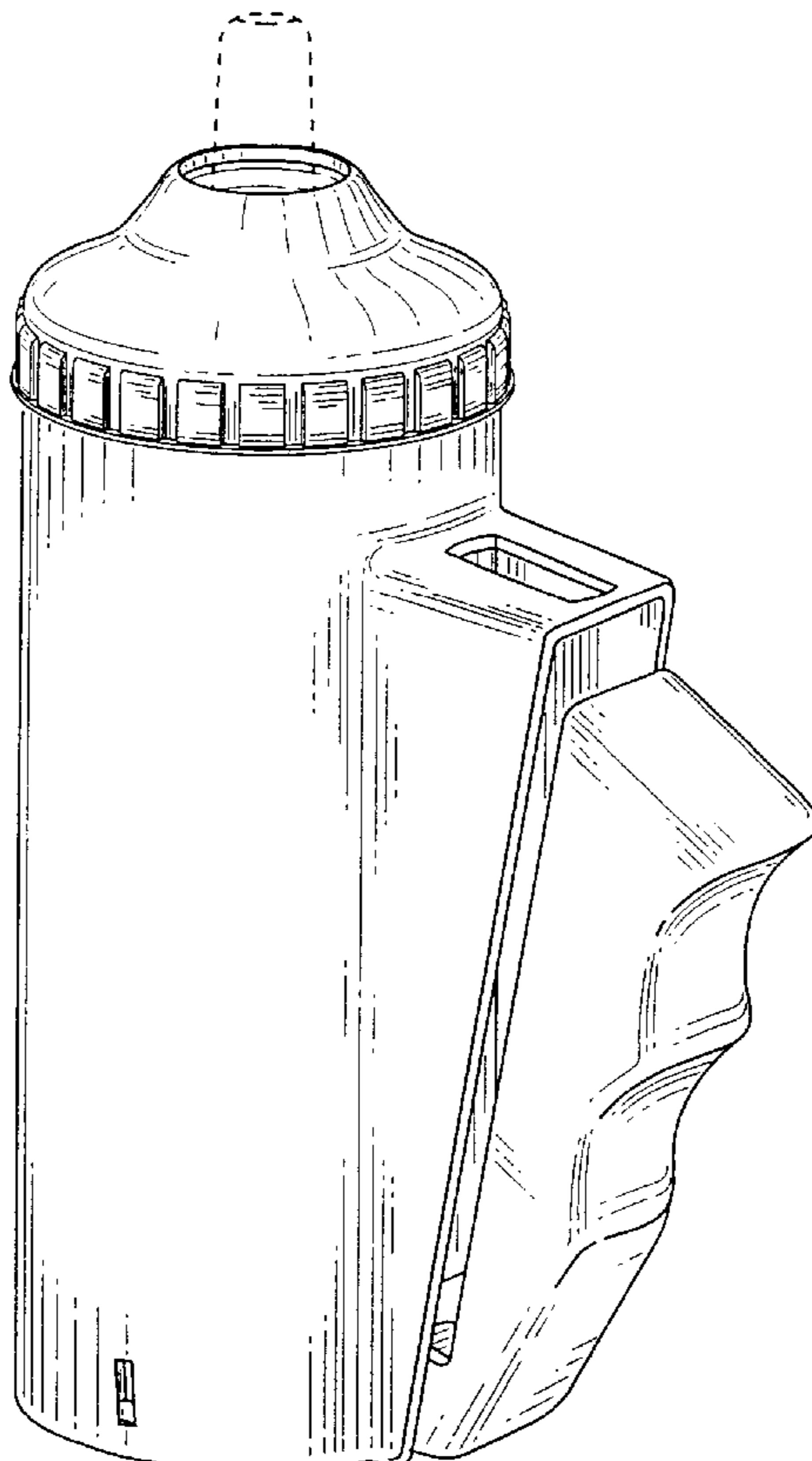
D. 395,598	6/1998	Van Lit et al.	D9/300
4,275,820	6/1981	LeBlond	222/175 X
4,771,769	9/1988	Hegemann et al.	128/200.22
4,860,738	8/1989	Hegemann et al.	128/200.22
5,318,492	6/1994	Quinn	222/175
5,570,817	11/1996	Anderson et al.	222/162 X

The end view opposite the trigger, and the bottom view, of the second embodiment are identical to that shown in FIGS. 4 and 6 of the first embodiment.

The outline of the nozzle of a contained spray bottle is shown in certain figures by broken lines, but this feature is depicted for illustrative purposes only and forms no part of the claimed design.

Primary Examiner—Doris V. Coles
Assistant Examiner—Cathron B. Matta

1 Claim, 9 Drawing Sheets



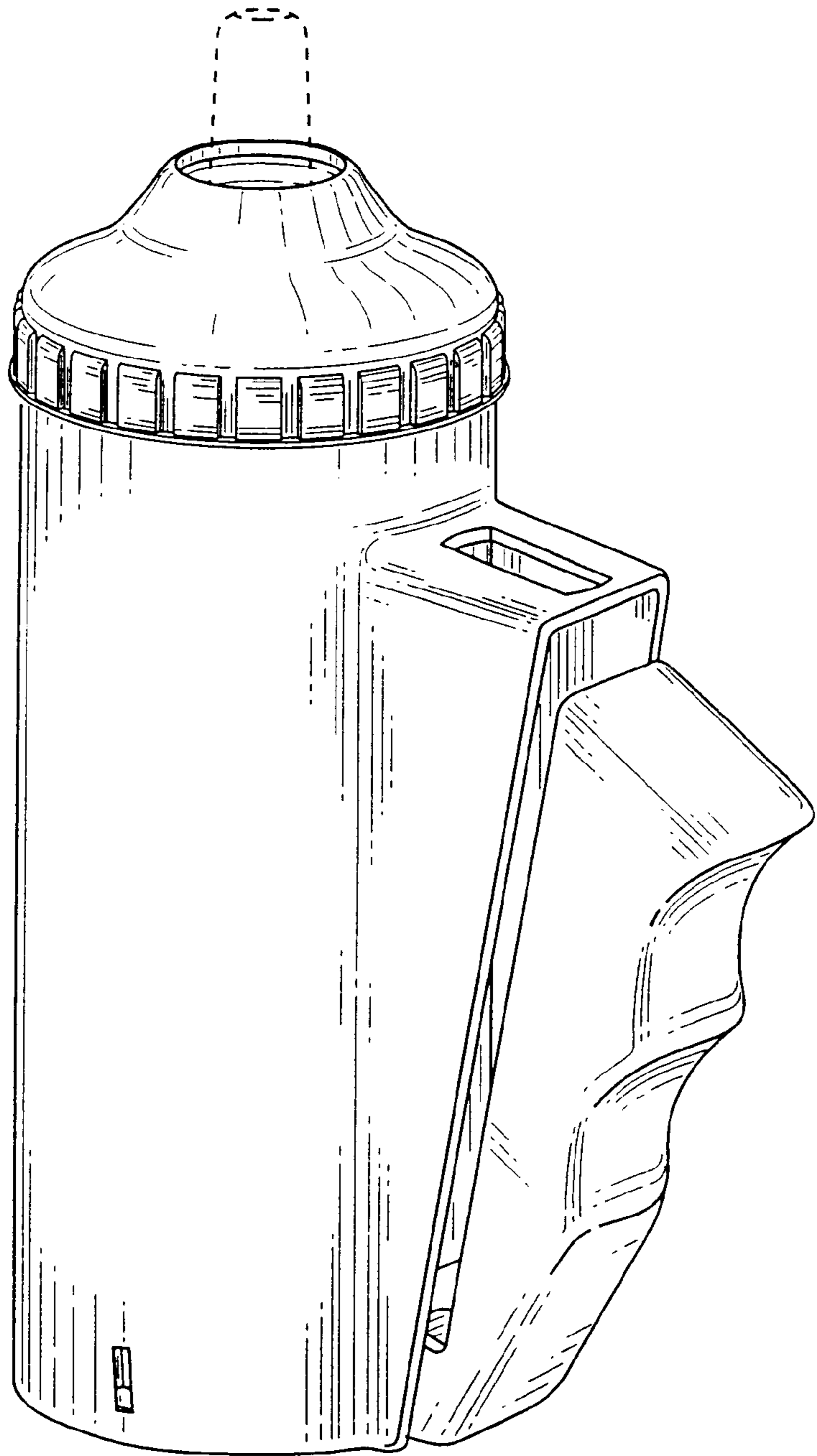


FIG. 1

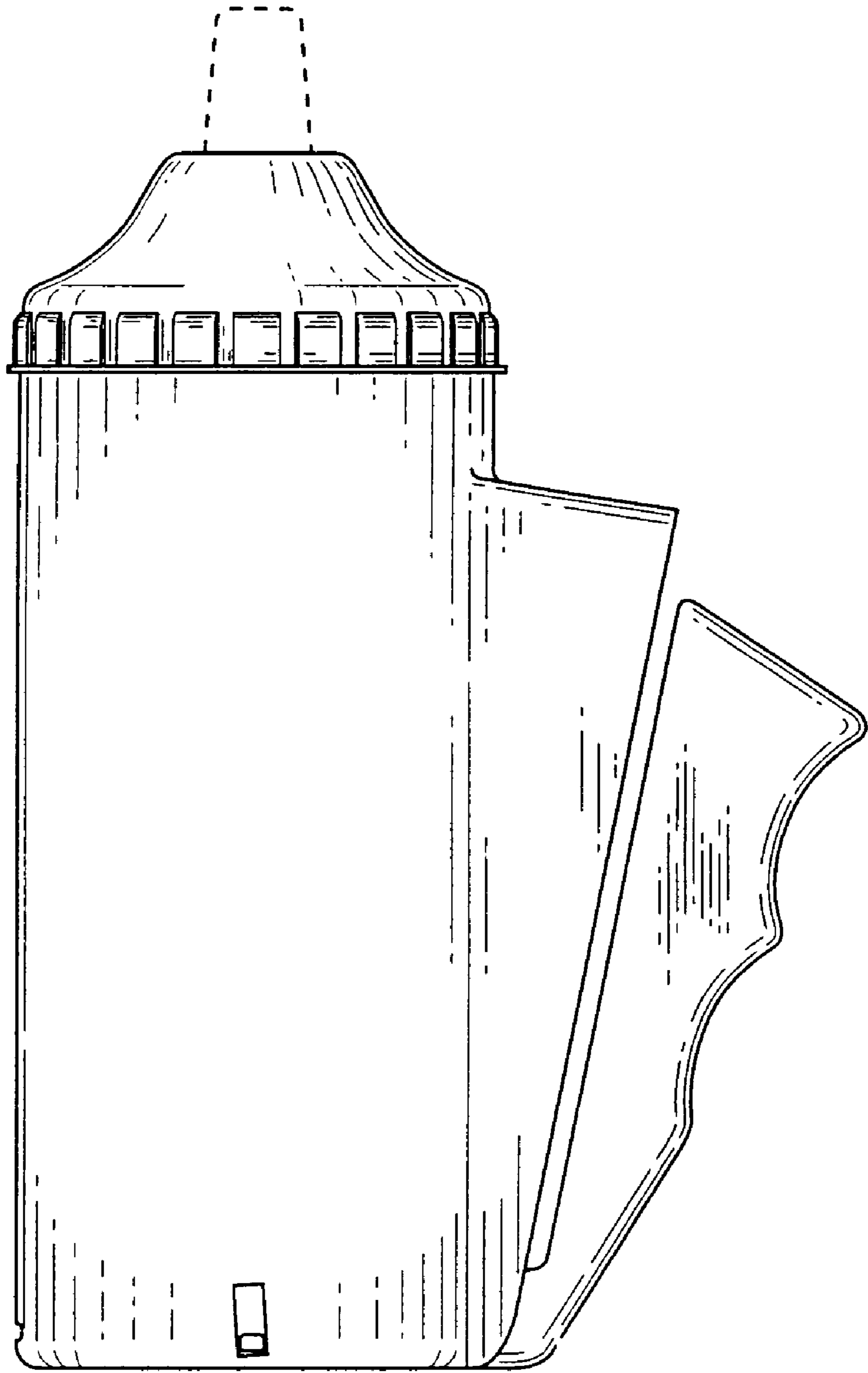


FIG. 2

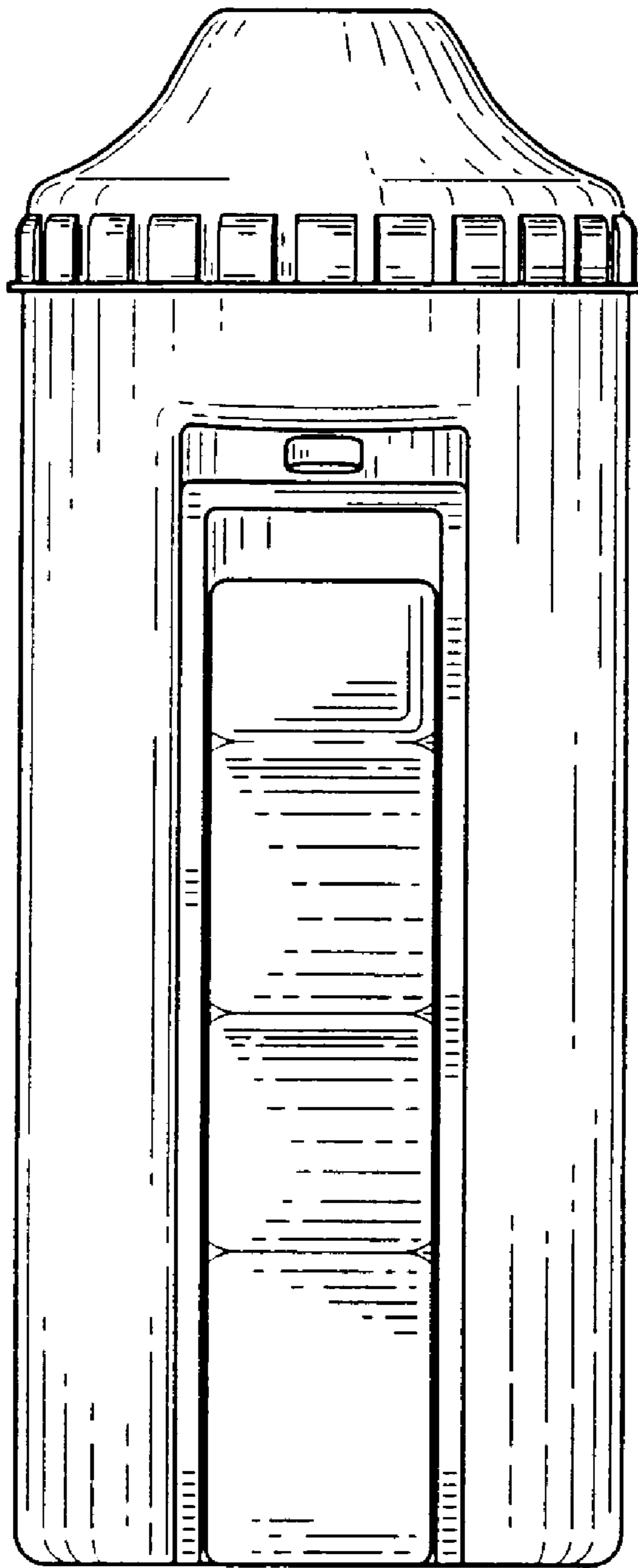


FIG. 3

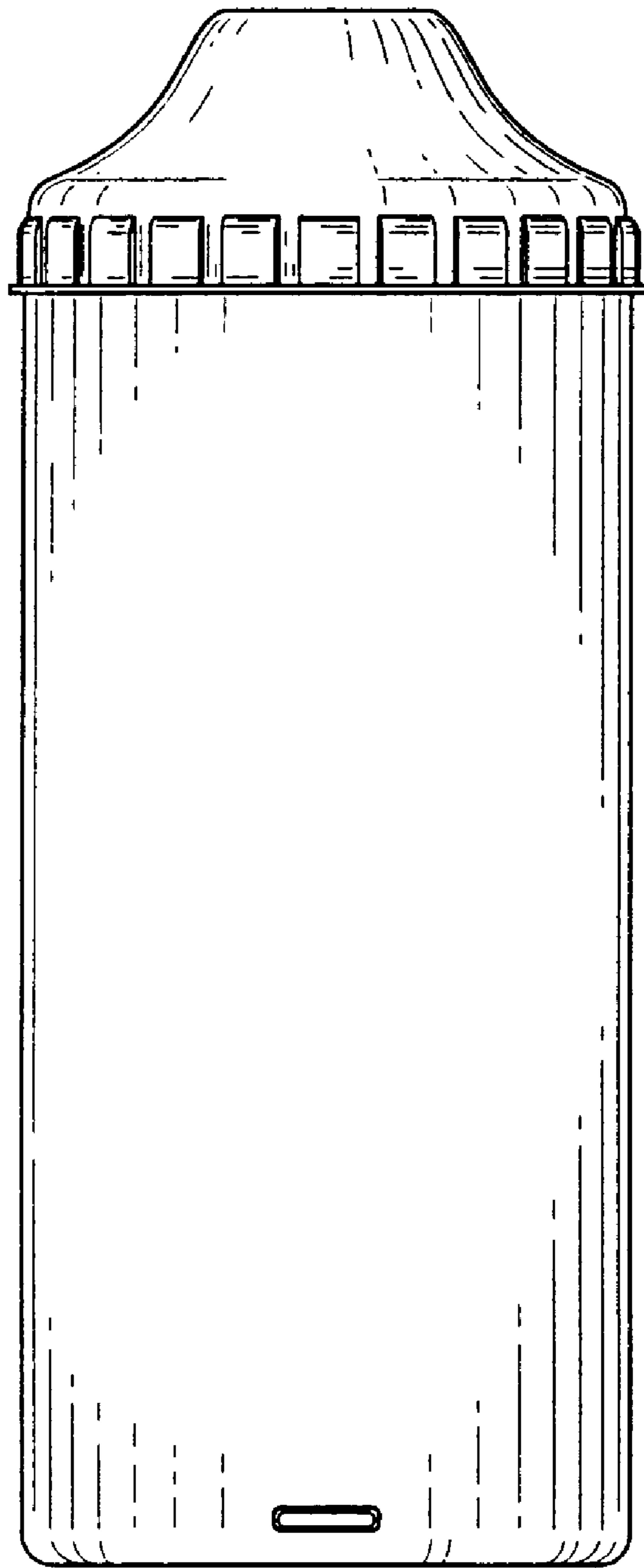


FIG. 4

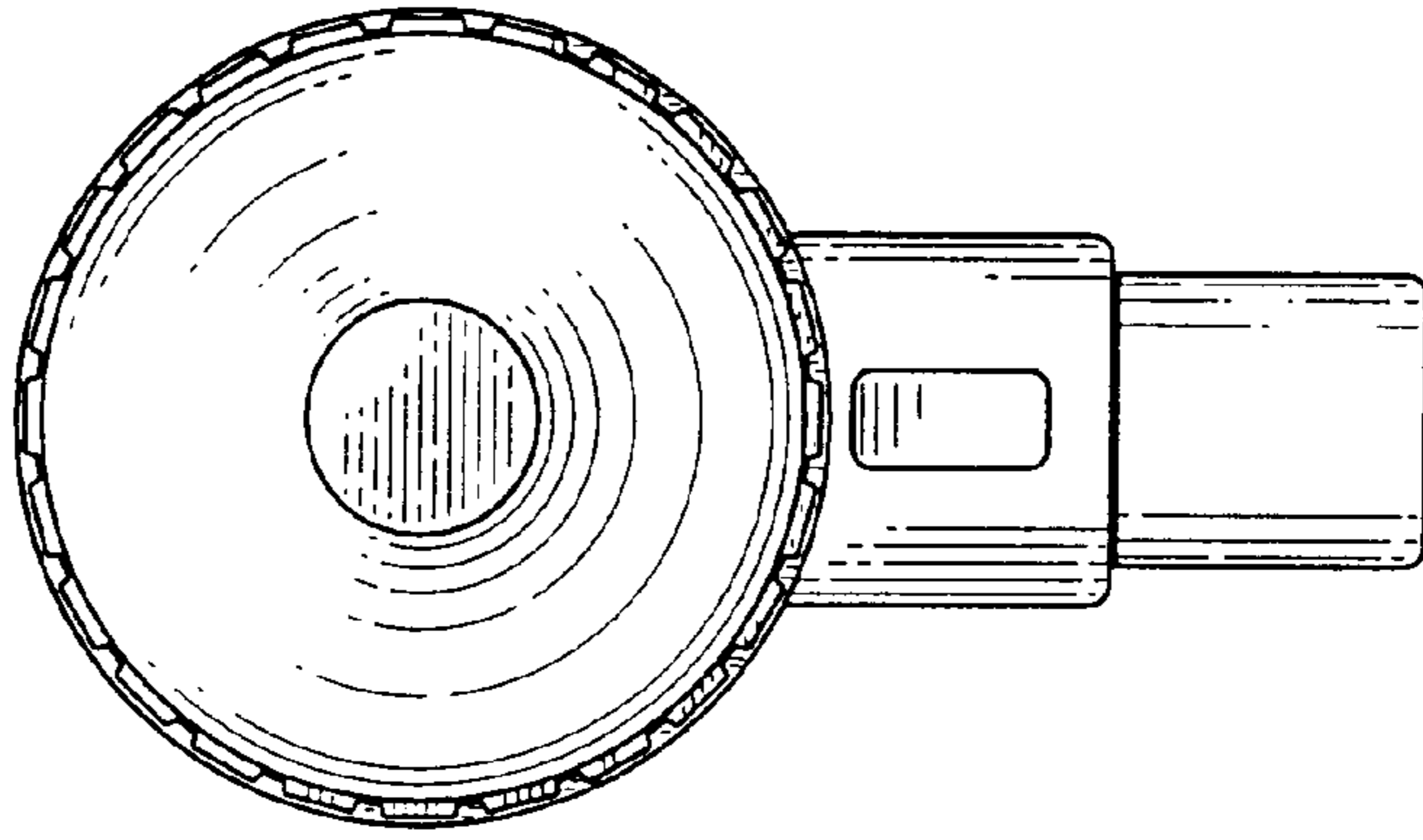


FIG. 5

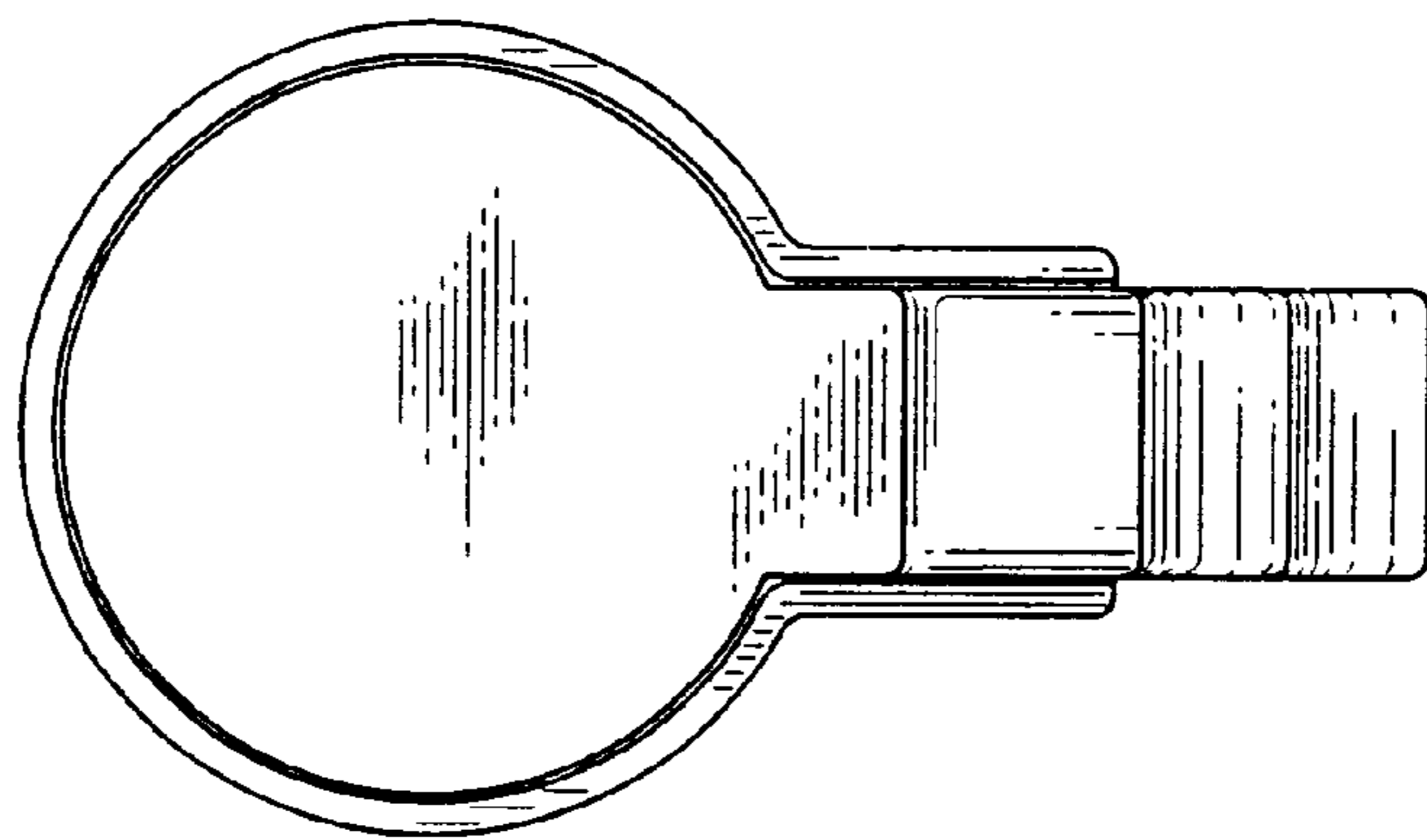


FIG. 6

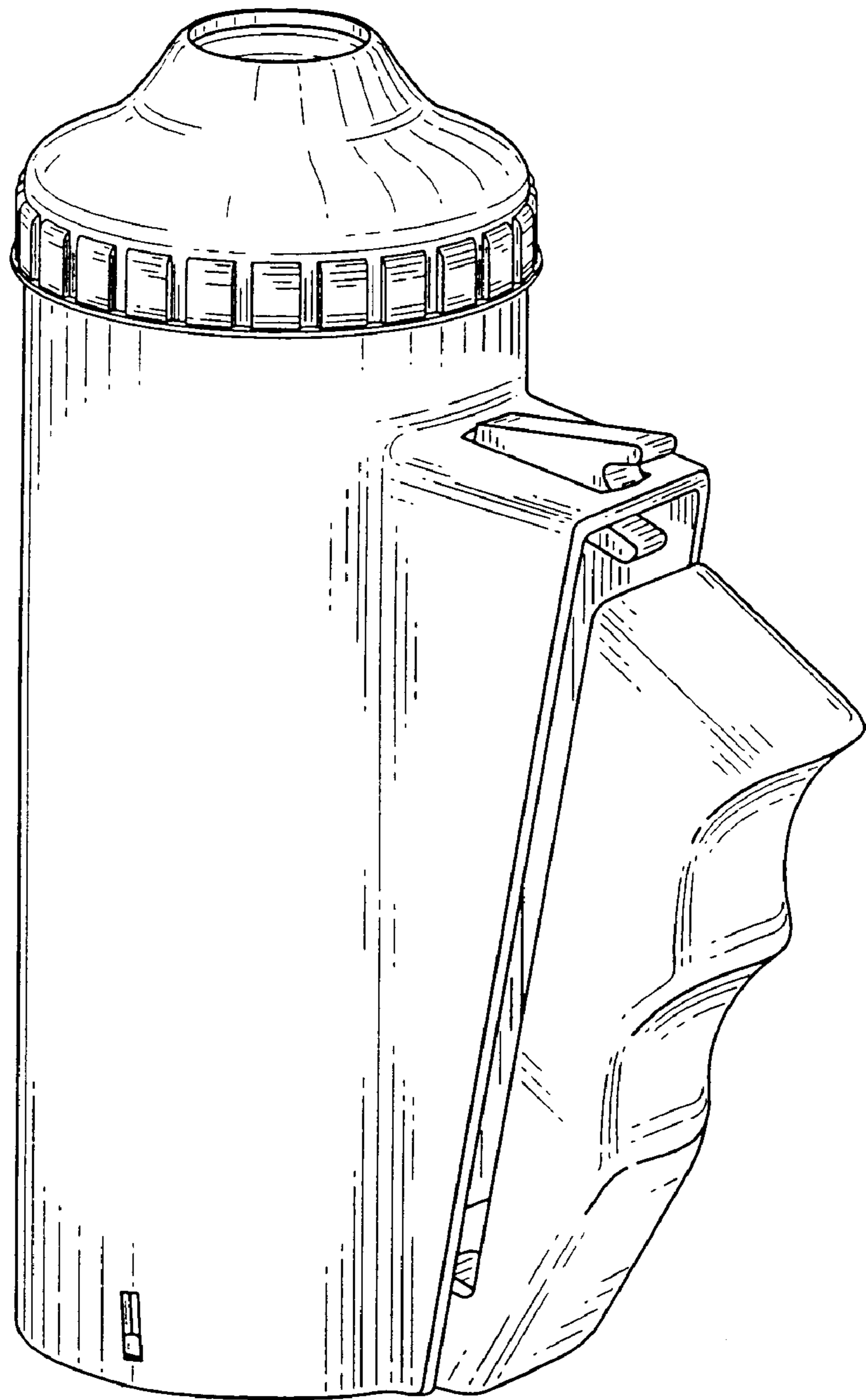


FIG. 7

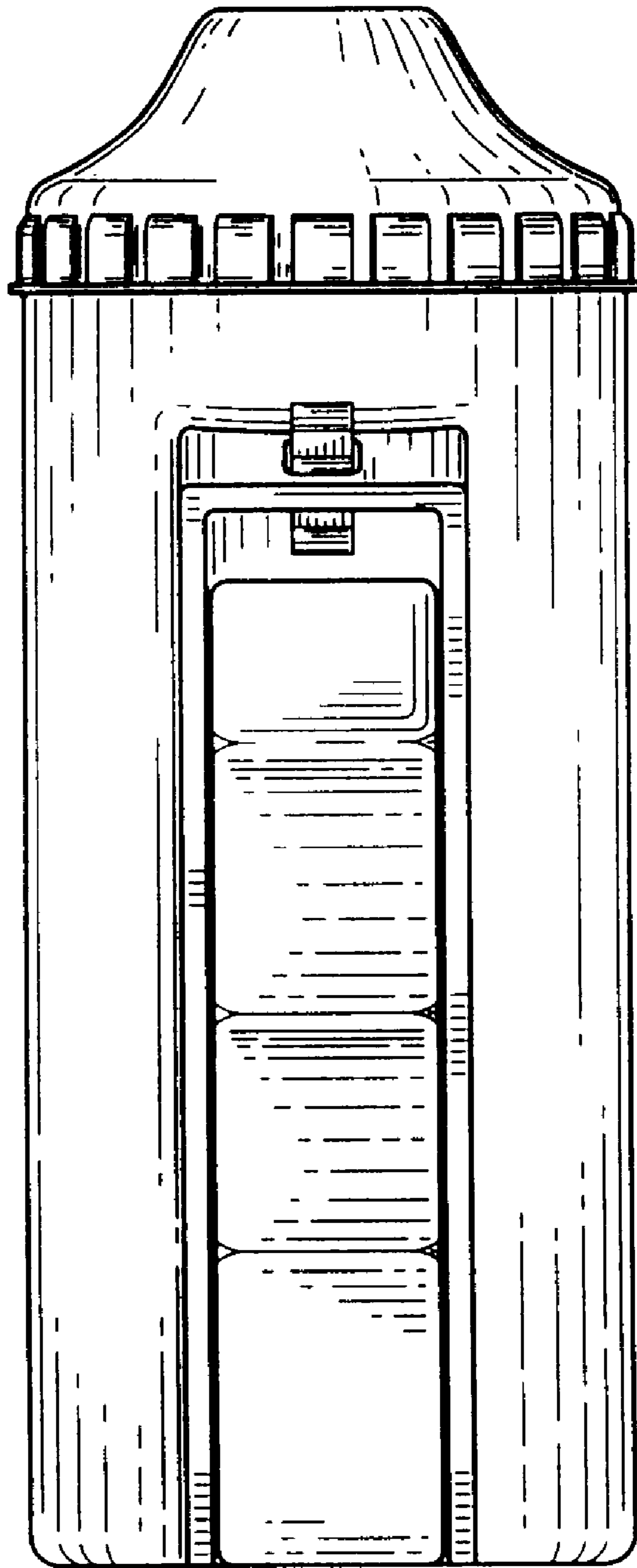


FIG. 8

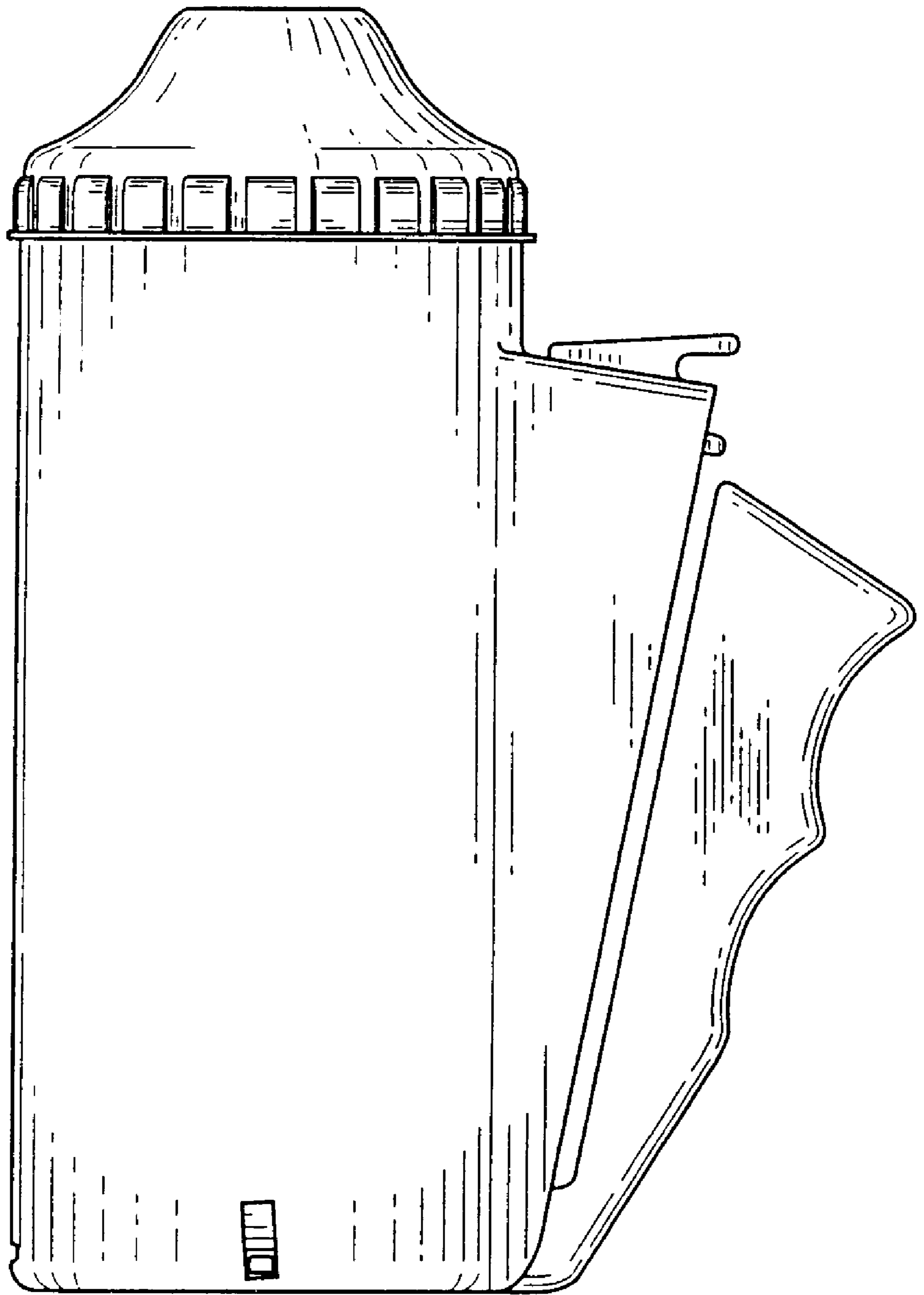


FIG. 9

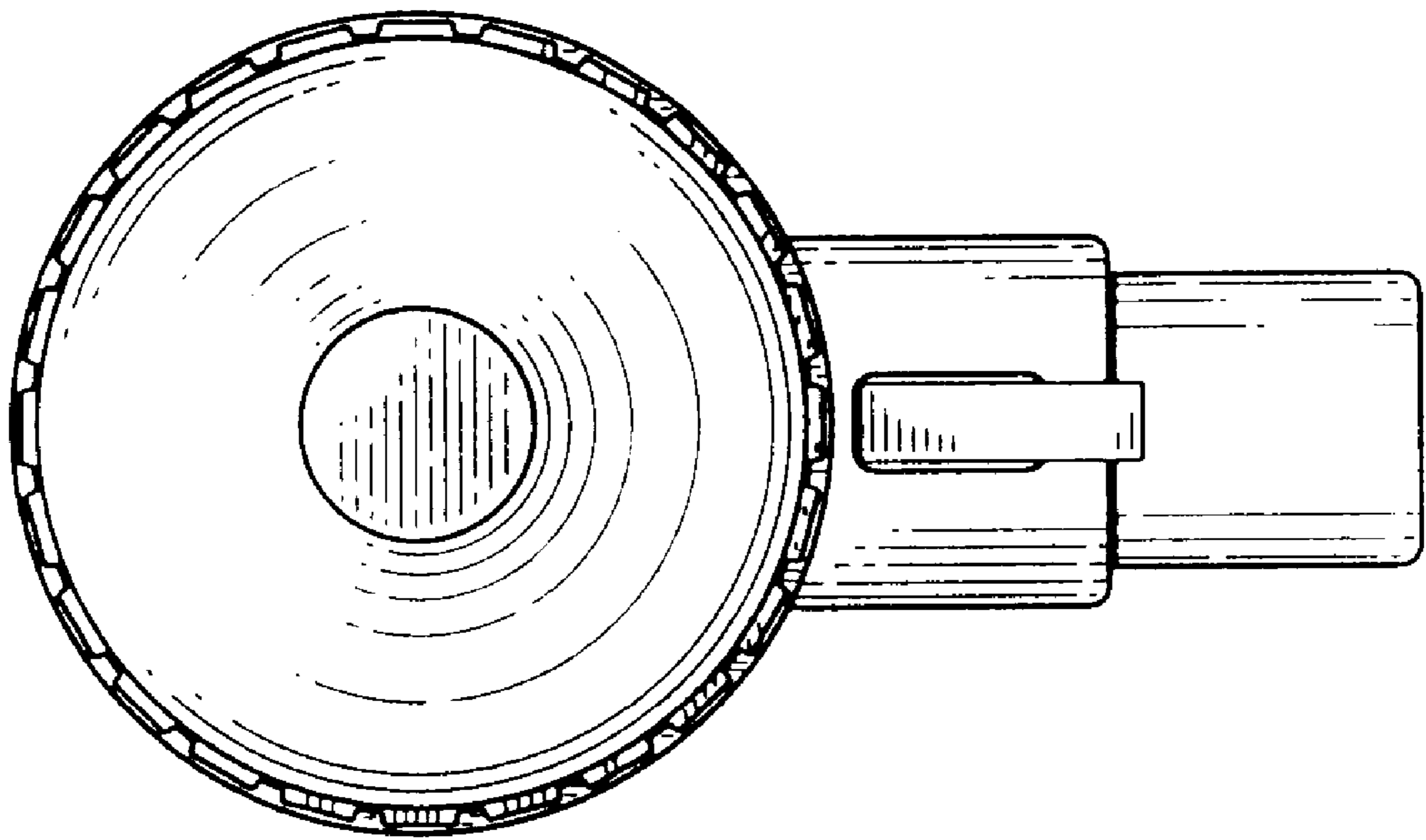


FIG. 10