



US00D414682S

# United States Patent [19] Freeman

[11] **Patent Number: Des. 414,682**  
[45] **Date of Patent: \*\* \*Oct. 5, 1999**

[54] **FURNITURE IMPACT CUSHION**  
[76] **Inventor: James W. Freeman, 20253 Gifford St.,  
Winnetka, Calif. 91306-3210**

2,048,274 7/1936 Luby ..... 16/86 A  
3,179,397 4/1965 Cleereman ..... 267/140  
3,804,395 4/1974 Muller ..... 267/140  
4,664,053 5/1987 Mesinger ..... 267/139  
5,842,674 12/1998 Freeman ..... 248/345.1

[\*] **Notice:** This patent is subject to a terminal disclaimer.

*Primary Examiner*—Susan J. Lucas  
*Assistant Examiner*—Jennifer Rivard  
*Attorney, Agent, or Firm*—Clifford A. Poff

[\*\*] **Term: 14 Years**

[21] **Appl. No.: 29/076,960**

[57] **CLAIM**

[22] **Filed: Sep. 23, 1997**

The ornamental design for a furniture impact cushion, as shown and described.

[51] **LOC (6) Cl. .... 08-09**

**DESCRIPTION**

[52] **U.S. Cl. .... D8/402**

[58] **Field of Search** ..... 248/345.1; 114/219;  
267/139, 140; 16/86 R, 86 A; D8/402

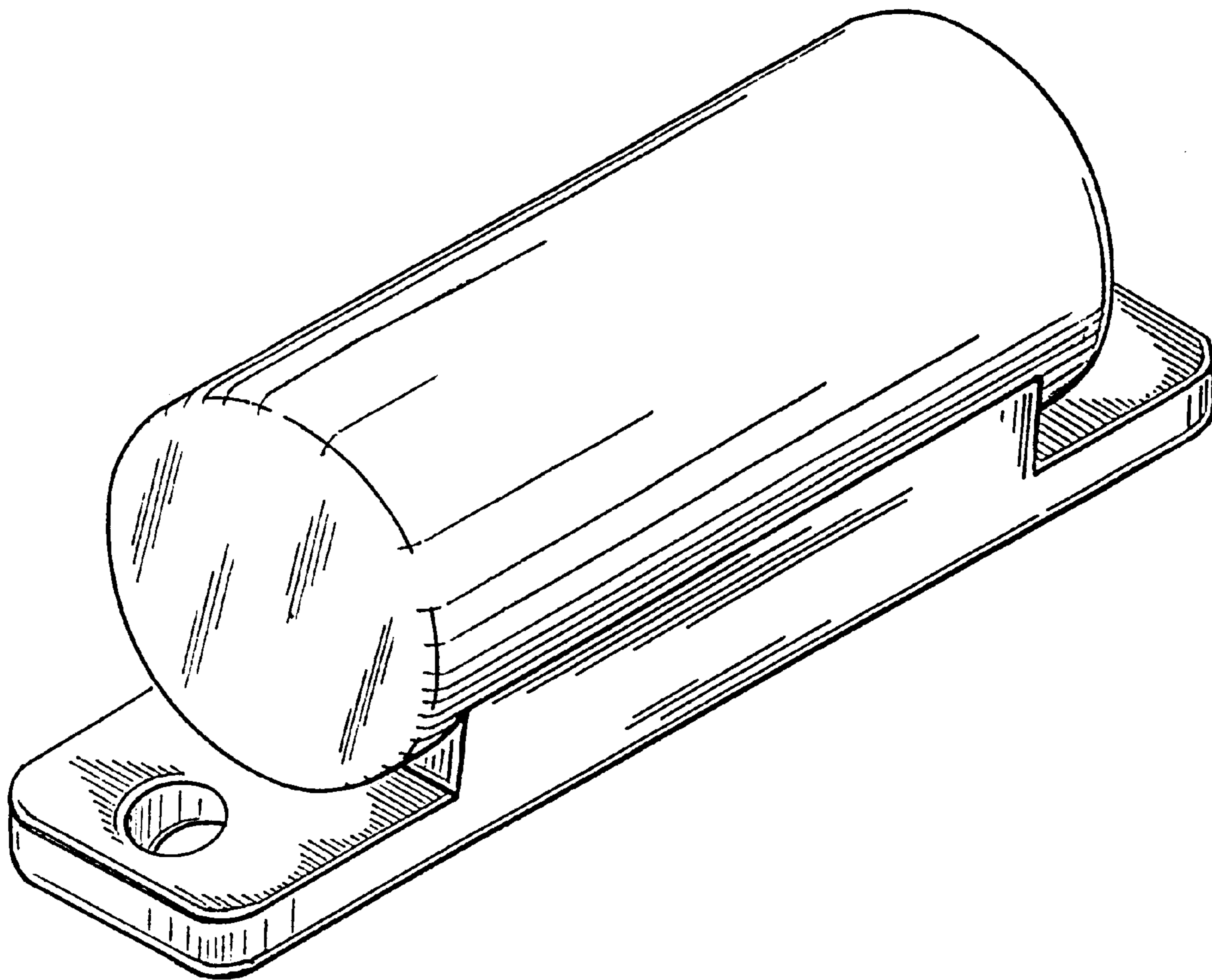
FIG. 1 is a perspective view of a furniture impact cushion showing my new design;  
FIG. 2 is a bottom plan view thereof;  
FIG. 3 is a front elevational view thereof, of which the rear elevational view is identical;  
FIG. 4 is a top plan view thereof; and ,  
FIG. 5 is a right side elevational view thereof, of which the left side elevational view is identical.

[56] **References Cited**

**U.S. PATENT DOCUMENTS**

D. 356,274	3/1995	Ross et al. ....	D8/402
365,225	6/1887	Barrows ..... 248/345.1	
D. 391,845	3/1998	Freeman ..... D8/402	
459,251	9/1891	Hall ..... 16/86 A	

**1 Claim, 2 Drawing Sheets**



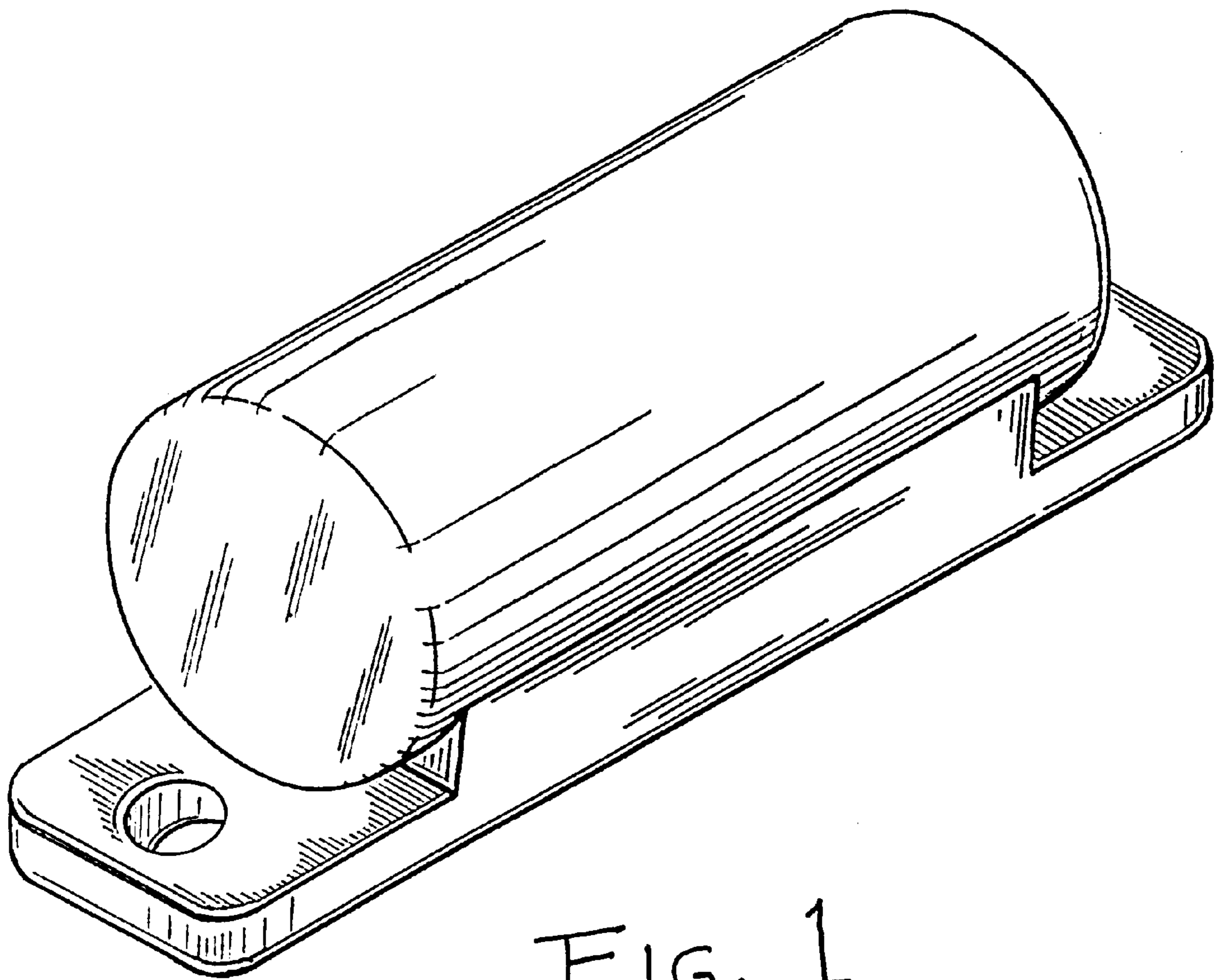


FIG. 1

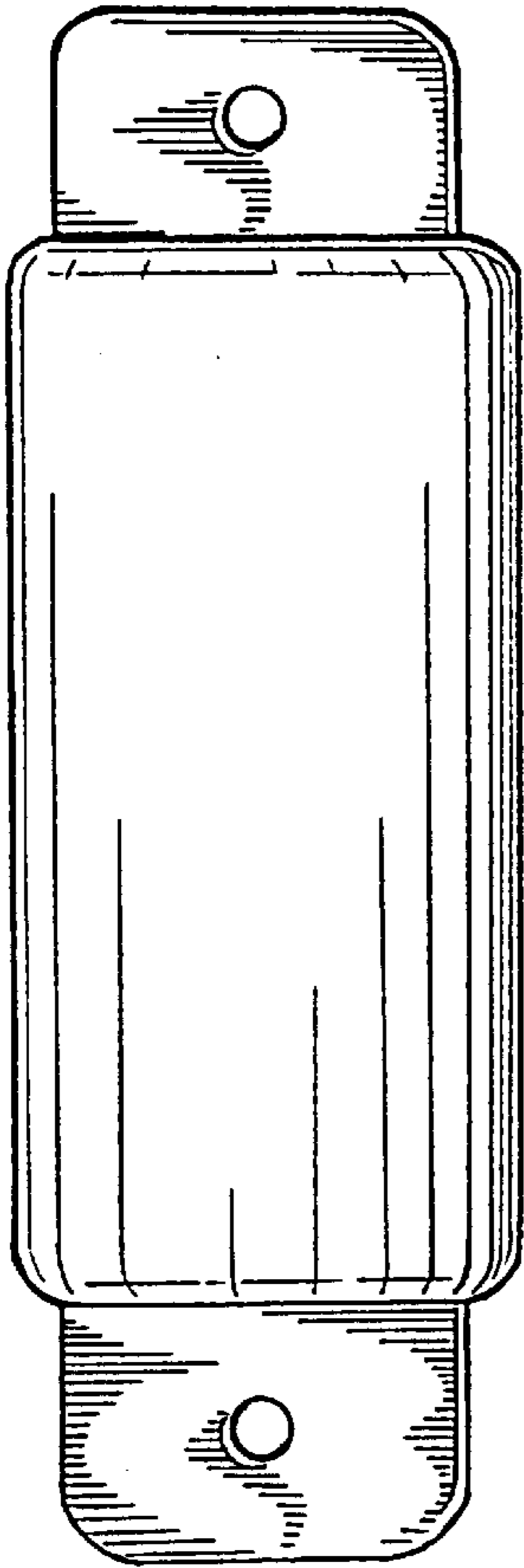


FIG. 4

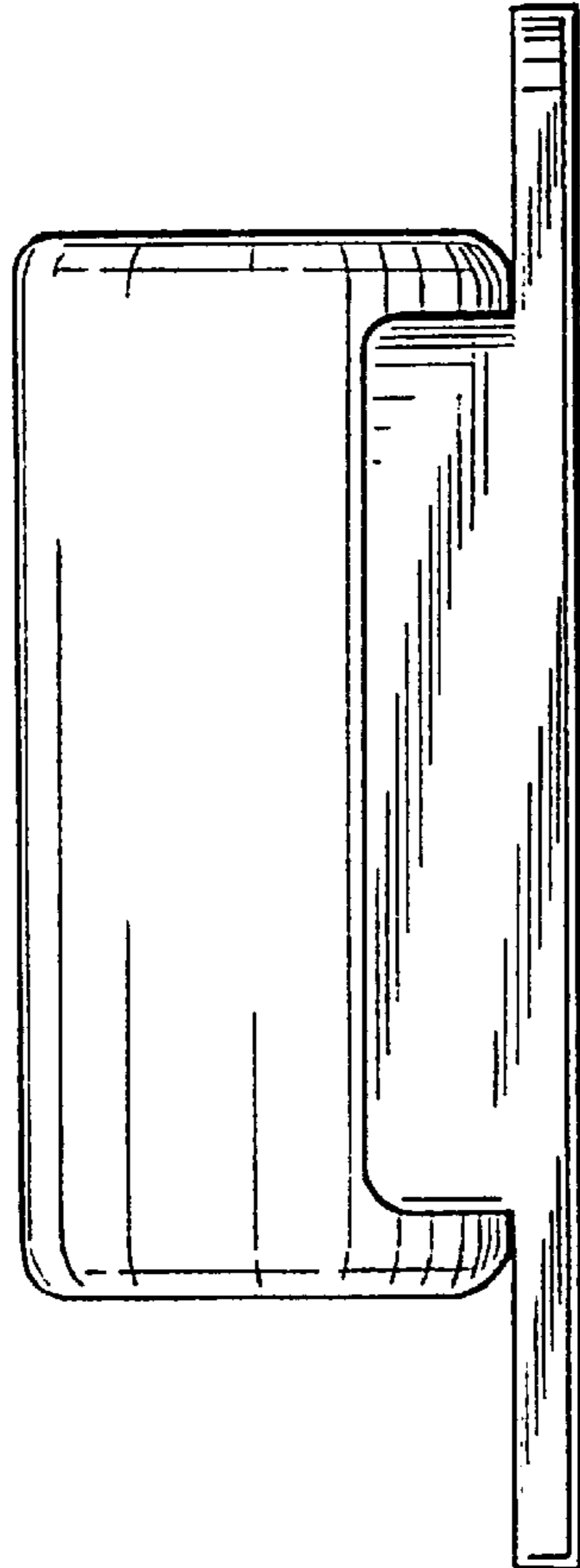


FIG. 3

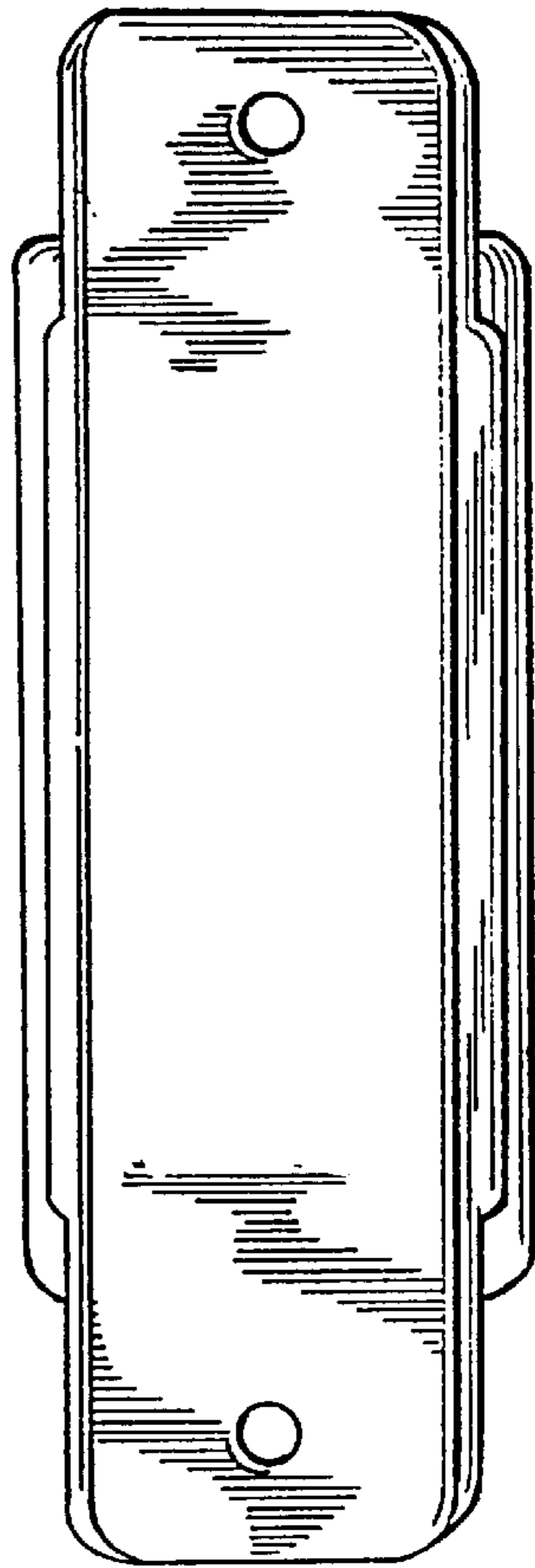


FIG. 2

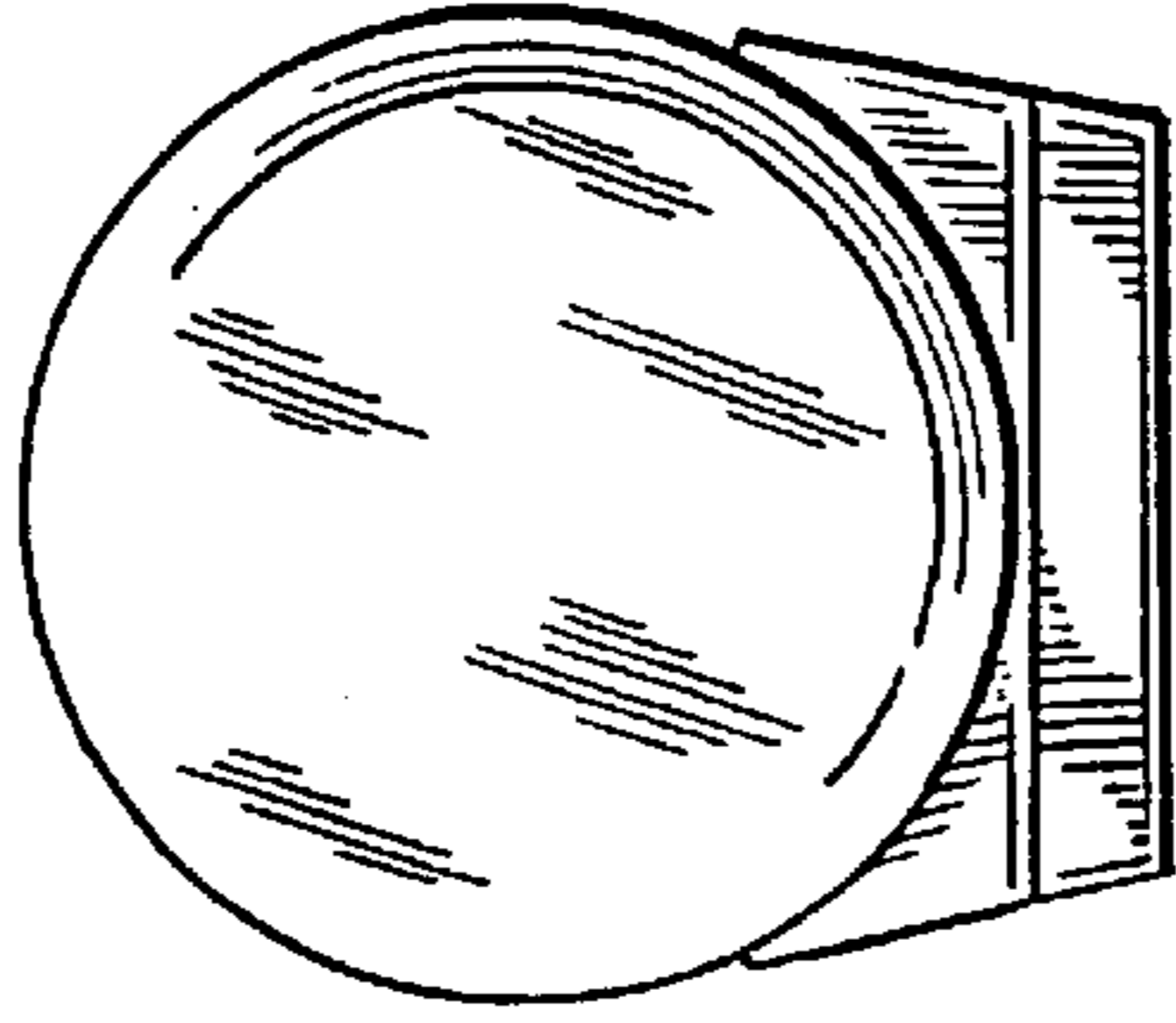


FIG. 5