



US00D414681S

United States Patent [19] Bourne

[11] **Patent Number: Des. 414,681**
[45] **Date of Patent: ** Oct. 5, 1999**

[54] **DOOR KNOCKER**

[76] **Inventor: Gale Bourne**, 986 Nordale Rd., North Pole, Ak. 99705

[**] **Term: 14 Years**

[21] **Appl. No.: 29/083,789**

[22] **Filed: Feb. 17, 1998**

[51] **LOC (6) Cl. 10-06**

[52] **U.S. Cl. D8/401**

[58] **Field of Search** 16/110 R, 126;
116/148, 155, 167, DIG. 12; D8/400, 401;
D11/132, 133, 136

[56] **References Cited**

U.S. PATENT DOCUMENTS

D. 73,420	9/1927	Whitaker	D8/401
D. 346,955	5/1994	Marks, Jr.	D8/401
4,930,181	6/1990	Johnson	16/110 R

Primary Examiner—Susan J. Lucas
Assistant Examiner—Jennifer Rivard
Attorney, Agent, or Firm—Michael R. Schacht; Hughes & Schacht, P.S.

[57] **CLAIM**

The ornamental design for a door knocker, as shown and described.

DESCRIPTION

FIG. 1 is a perspective view of a door knocker constructed in accordance with, and embodying, the principles of the present invention;

FIG. 2 is a front elevational view of the door knocker depicted in FIG. 1, an exemplary mounting member and an exemplary grasping member being shown therein in broken lines;

FIG. 3 is a side elevational view of the door knocker depicted in FIG. 1, the opposite side elevational view being the same;

FIG. 4 is a front elevational view of the door knocker depicted in FIG. 1, the rear elevational view being the same;

FIG. 5 is a top plan view of the door knocker depicted in FIG. 1; and,

FIG. 6 is a bottom plan view of the door knocker depicted in FIG. 1.

The broken line showings of the exemplary mounting member and grasping member are for illustrative purposes only and form no part of the claimed design.

1 Claim, 2 Drawing Sheets

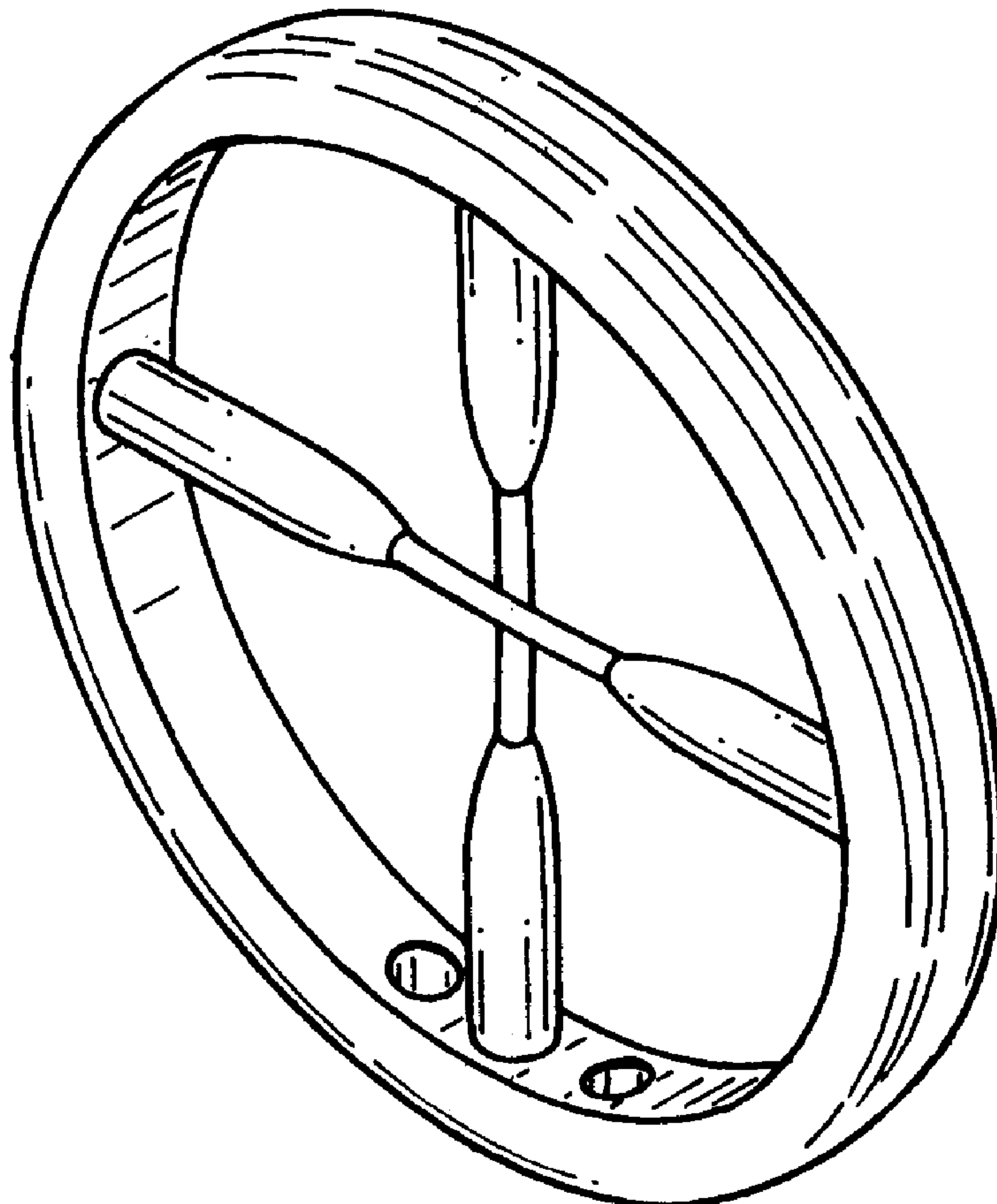


FIG. 1

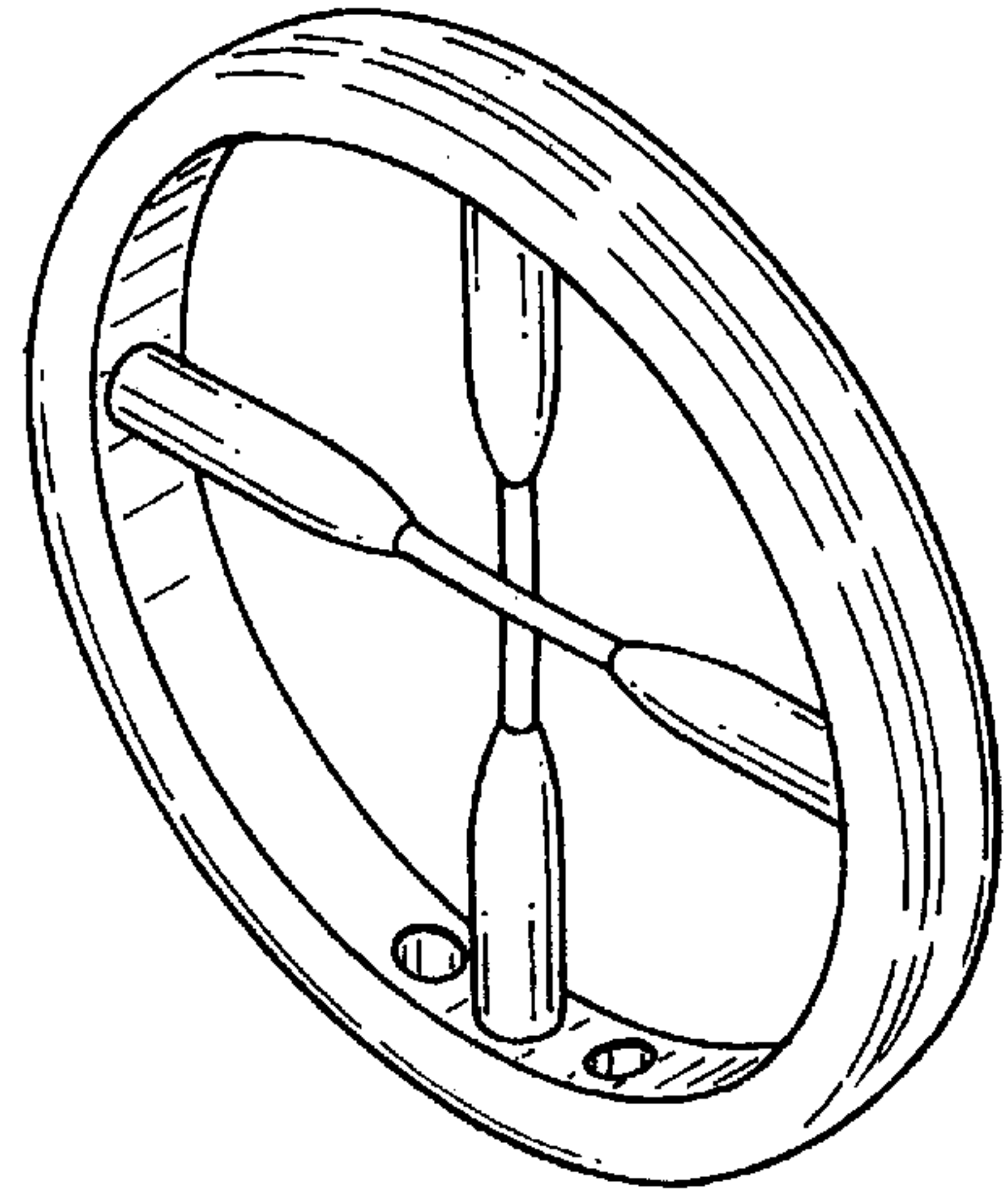


FIG. 2

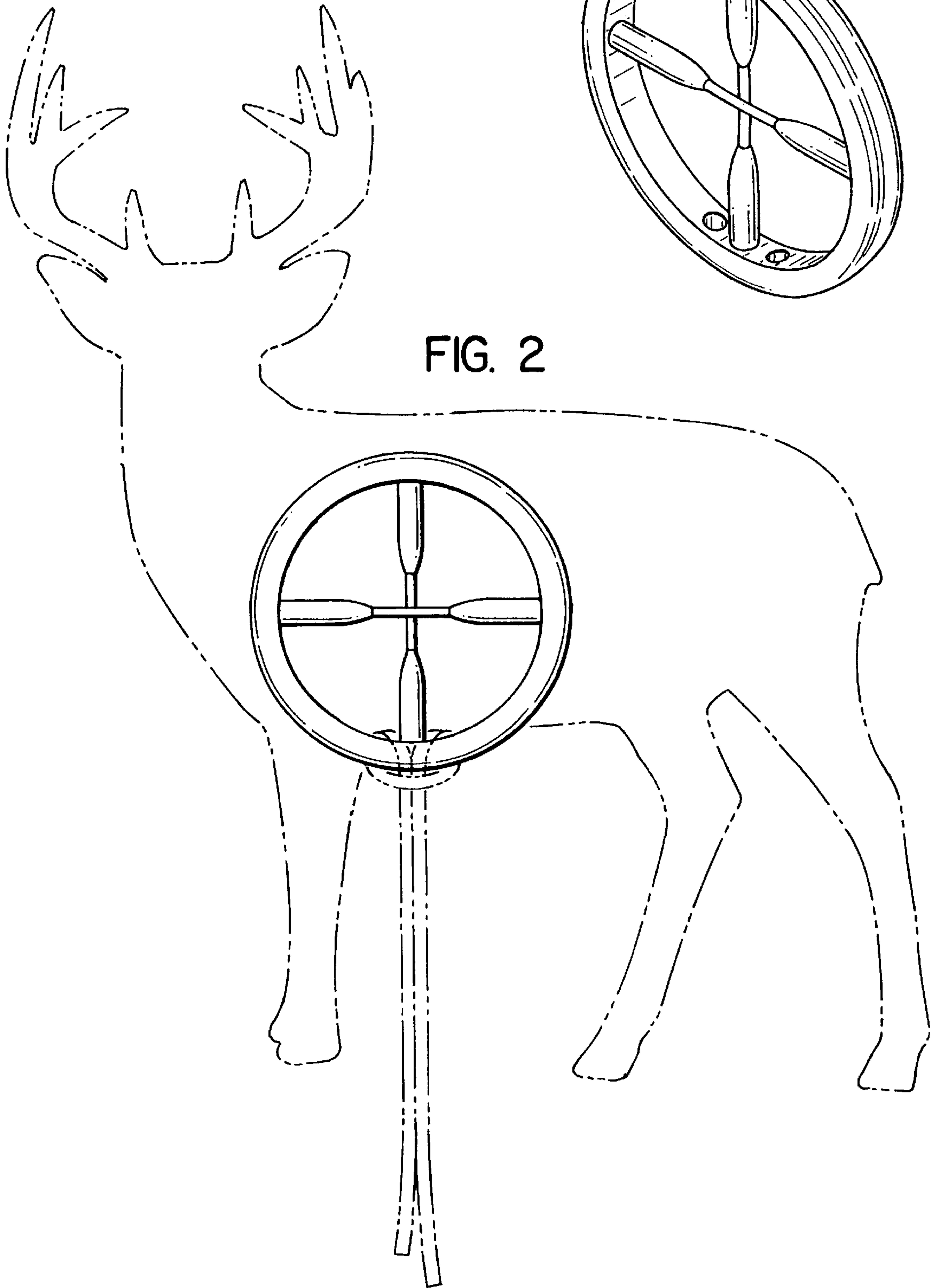


FIG. 3

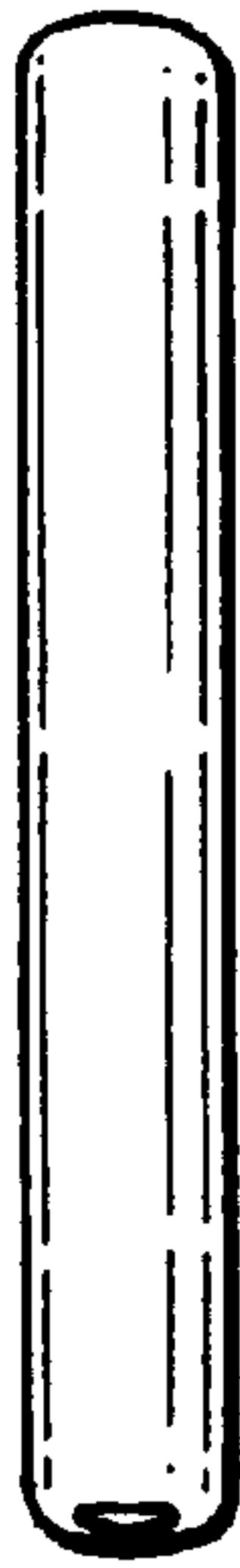


FIG. 4

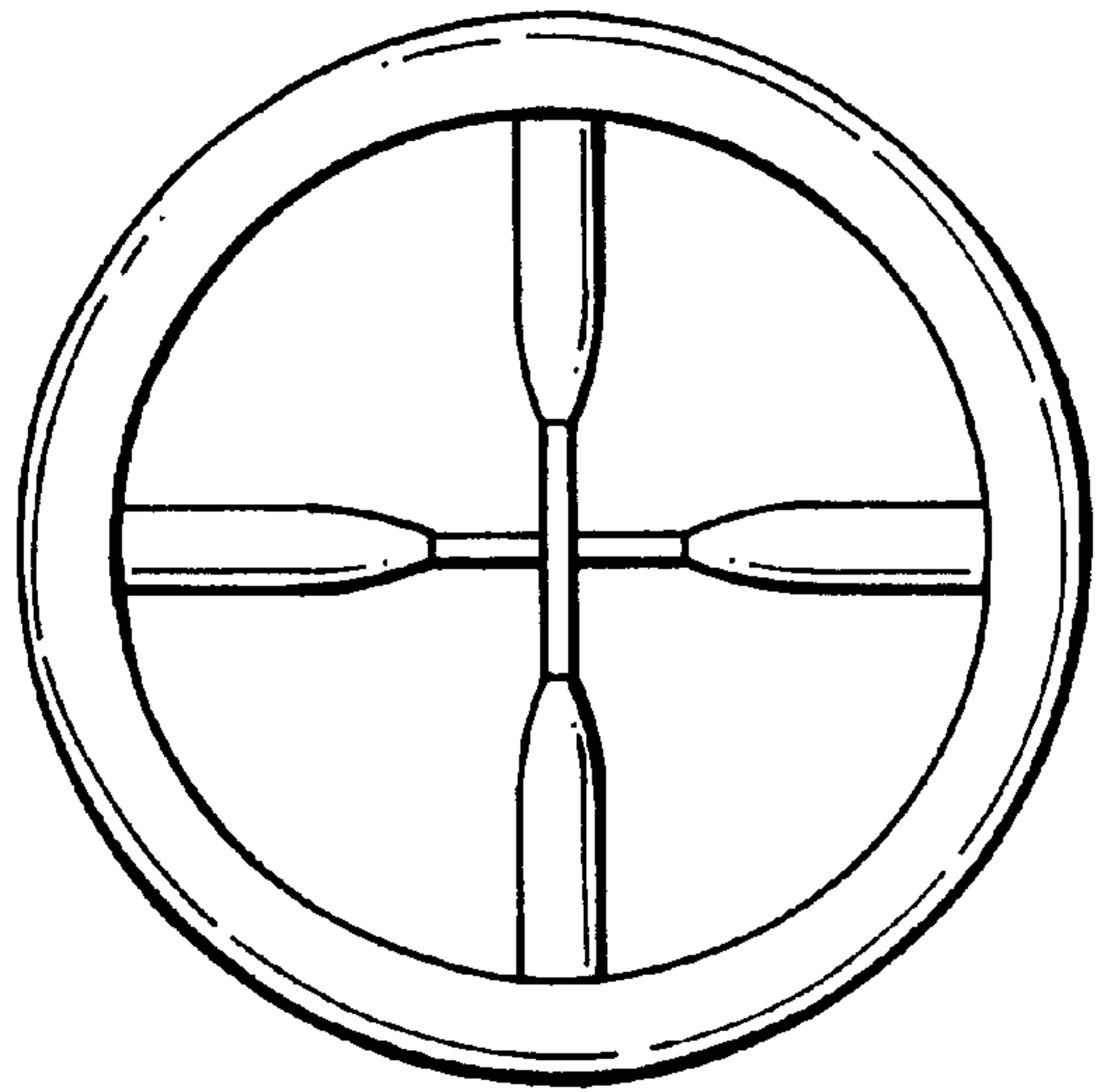


FIG. 5

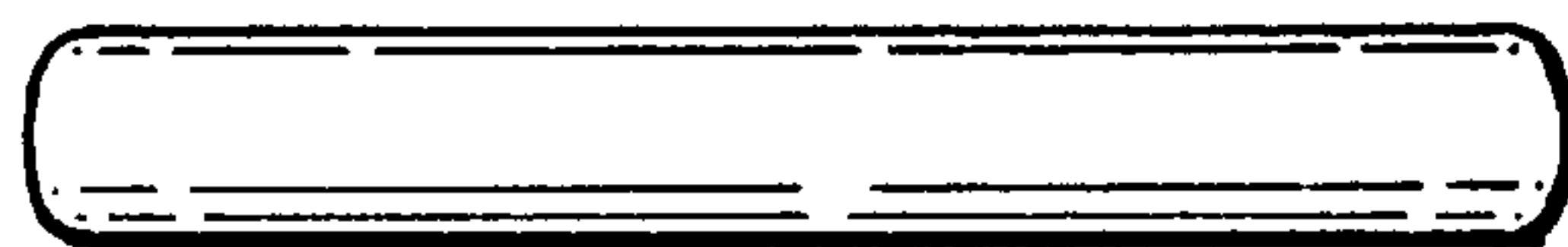


FIG. 6

