



US00D414679S

United States Patent [19] Tieken

[11] Patent Number: **Des. 414,679**
[45] Date of Patent: **** Oct. 5, 1999**

[54] **CURVED WIRE CASTER LEGS**
[75] Inventor: **Ross L. Tieken**, Shiner, Tex.
[73] Assignee: **Kaspar Wire Works, Inc.**, San Antonio, Tex.
[**] Term: **14 Years**
[21] Appl. No.: **29/084,878**
[22] Filed: **Mar. 12, 1998**
[51] **LOC (6) Cl.** **08-05**
[52] **U.S. Cl.** **D8/375**
[58] **Field of Search** D8/375; 16/18 R, 16/18 CG, 31, 29, 40, 45

962,461 6/1910 Penney .
1,017,799 2/1912 Read .
1,271,559 7/1918 Feebusch et al. .
1,275,882 8/1918 Ellison .
1,304,748 5/1919 Diss .
1,395,484 11/1921 Diss .
1,649,527 11/1927 Herold .
2,059,348 11/1936 Herold .
2,096,239 10/1937 Geyer 16/31 A
2,129,579 9/1938 Herold .
2,450,062 9/1948 Voss et al. 16/18 CG
2,483,241 9/1949 Shepherd .
2,659,100 11/1953 Cramer .
2,866,222 12/1958 Lord .
3,184,783 5/1965 Brigham .

Primary Examiner—Holly Baynham
Attorney, Agent, or Firm—Miller, Sisson, Chapman & Nash, P.C.

[56] **References Cited**
U.S. PATENT DOCUMENTS

8,154 4/1851 Rivers .
91,873 6/1869 Rivers .
D. 99,912 6/1936 Herold D8/375
D. 101,871 11/1936 Herold D8/375
D. 102,484 12/1936 Kaiser D8/375
D. 103,451 3/1937 Herold D8/375
D. 108,948 3/1938 Johnson D8/375
D. 130,592 12/1941 Parkhill D8/375
D. 130,658 12/1941 Johnson D8/375
D. 185,032 4/1959 Moore D8/375
D. 188,715 8/1960 Winter D8/375
D. 192,786 5/1962 Rice et al. D8/375
D. 259,982 7/1981 Kameda et al. D8/375
285,491 9/1883 Keller .
394,310 12/1888 Sullivan .
543,870 8/1895 Hoffman .
619,896 2/1899 Lee 16/18 R
750,900 2/1904 Schustek et al. 16/40
934,005 9/1909 Neuberth .

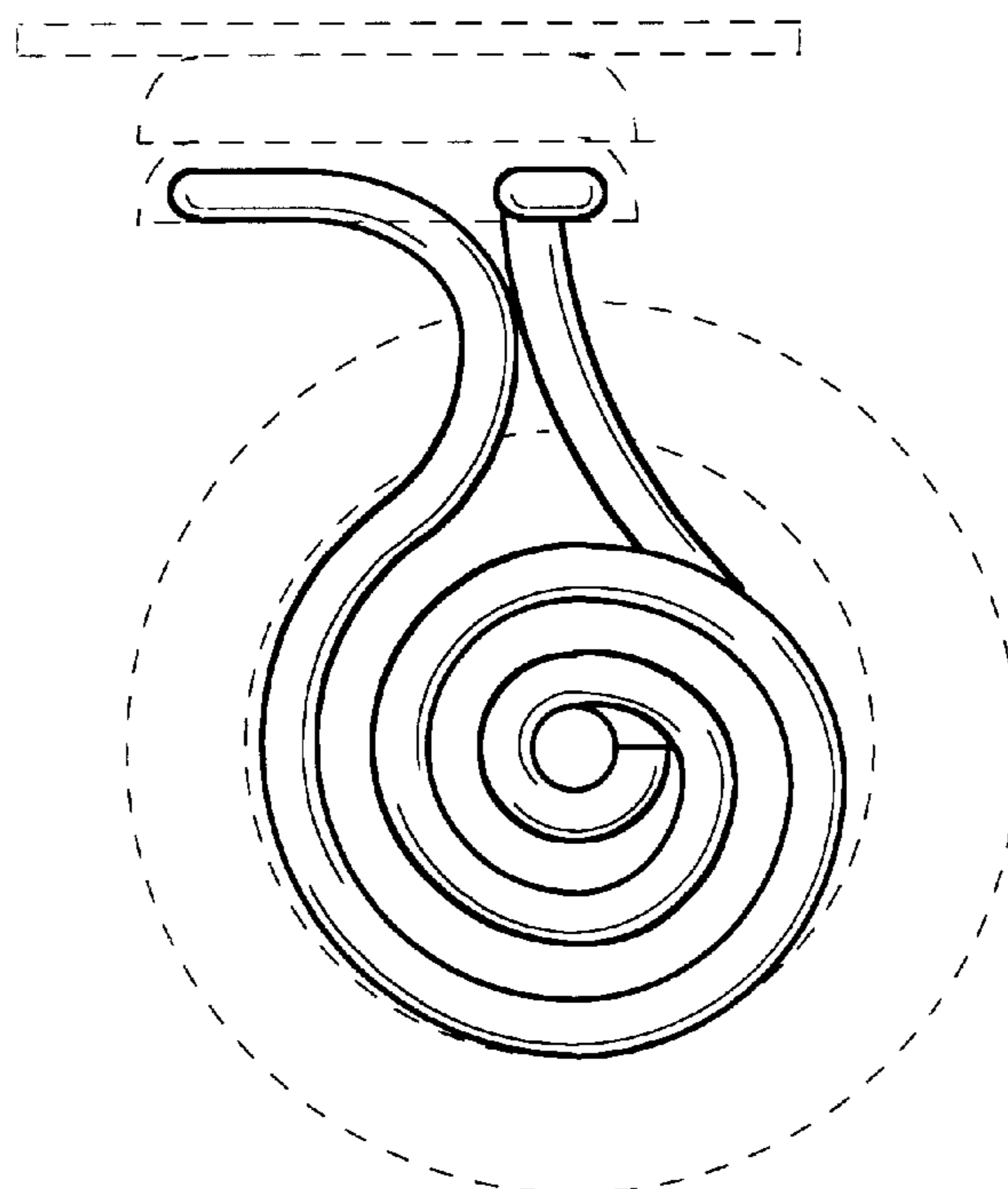
[57] **CLAIM**

The ornamental design for curved wire caster legs, as shown and described.

DESCRIPTION

FIG. 1 is a perspective view of the curved wire caster legs showing my new design.
FIG. 2 is a right side elevational view thereof.
FIG. 3 is a front side elevational view thereof.
FIG. 4 is a left side elevational view thereof.
FIG. 5 is a rear elevational view thereof.
FIG. 6 is a top elevational view thereof; and,
FIG. 7 is a bottom elevational view thereof.
The broken line showing of a caster plate and wheel is for illustrative purposes only and forms no part of the claimed design.

1 Claim, 2 Drawing Sheets



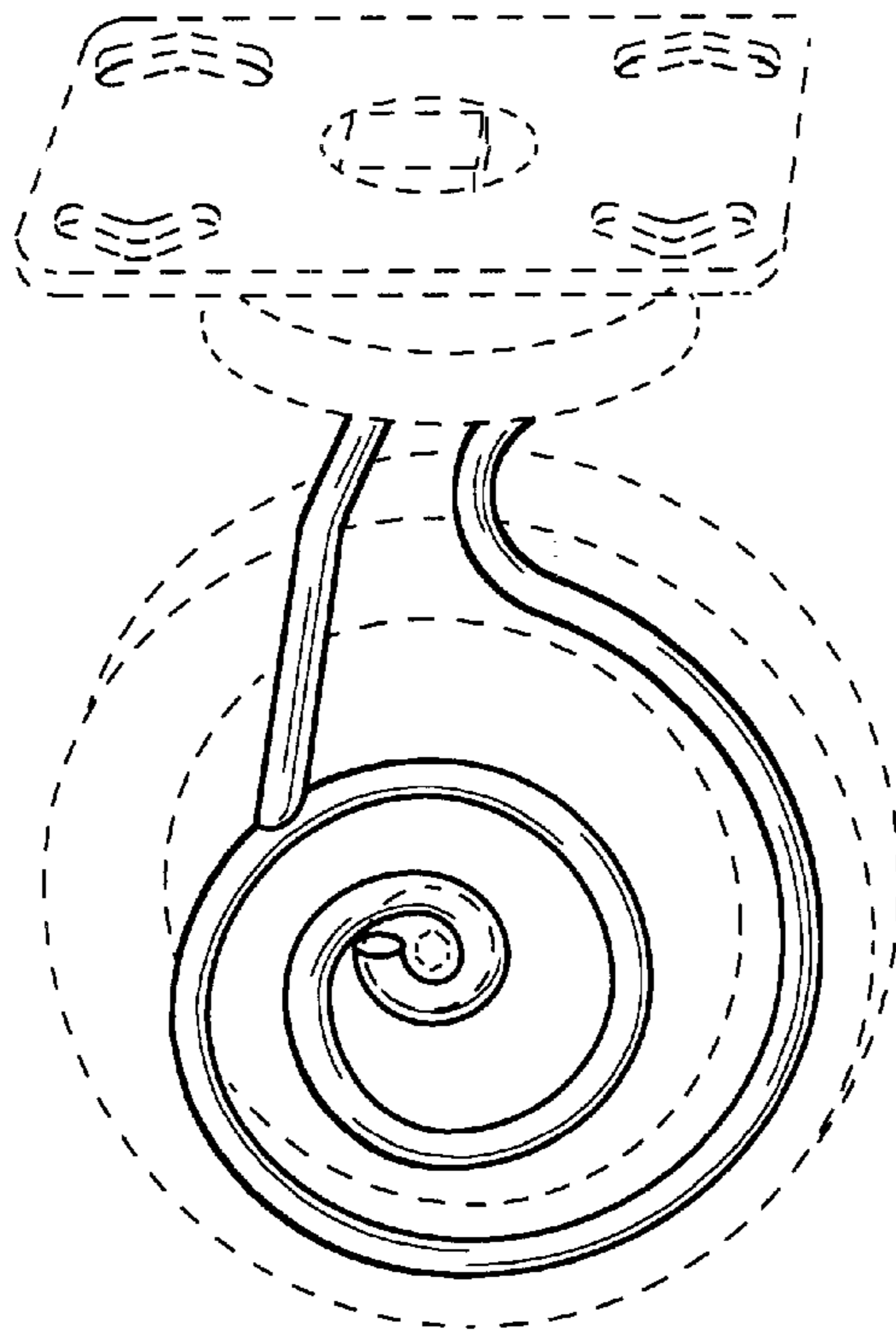


Fig. 1

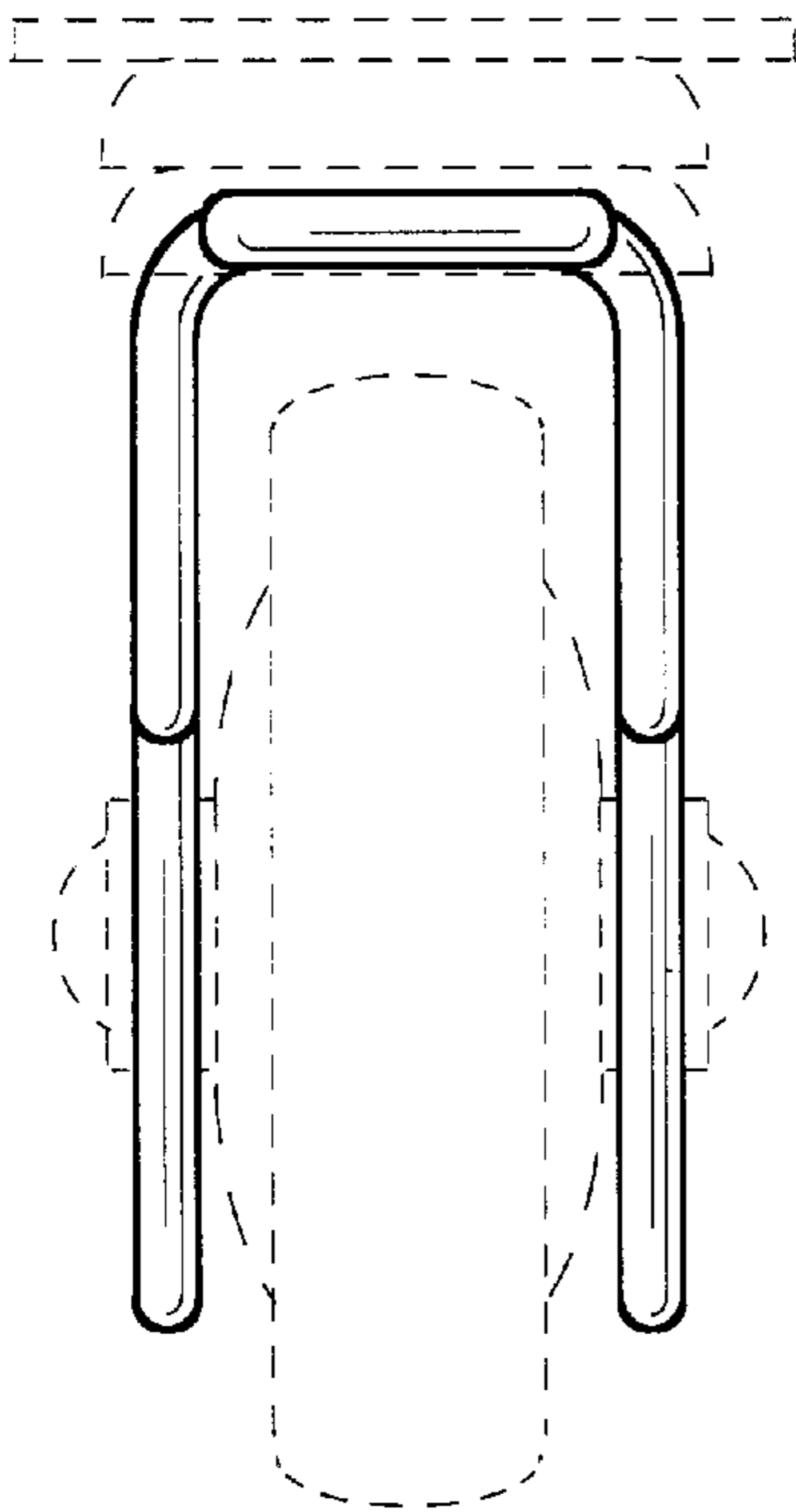


Fig. 2

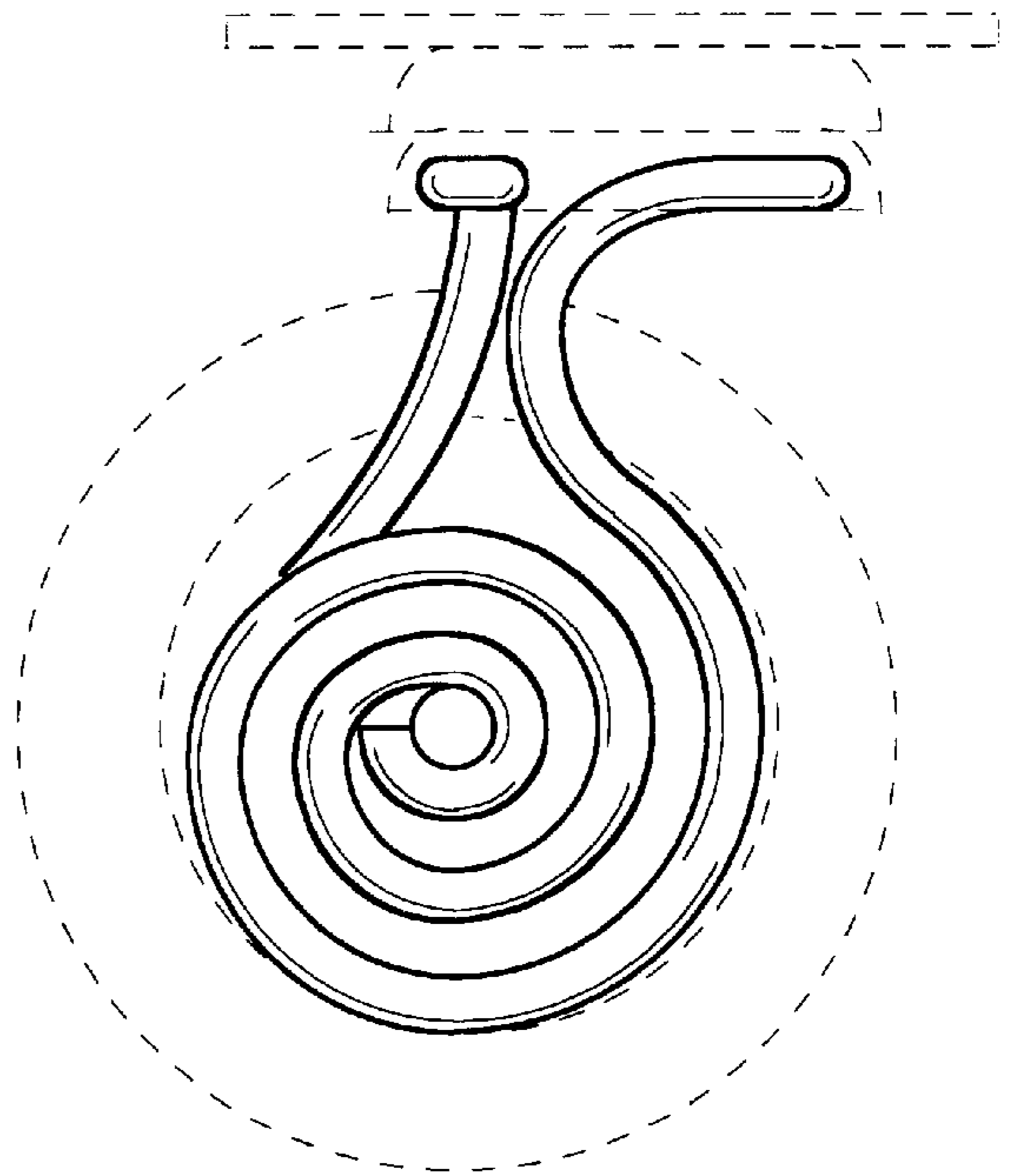


Fig. 3

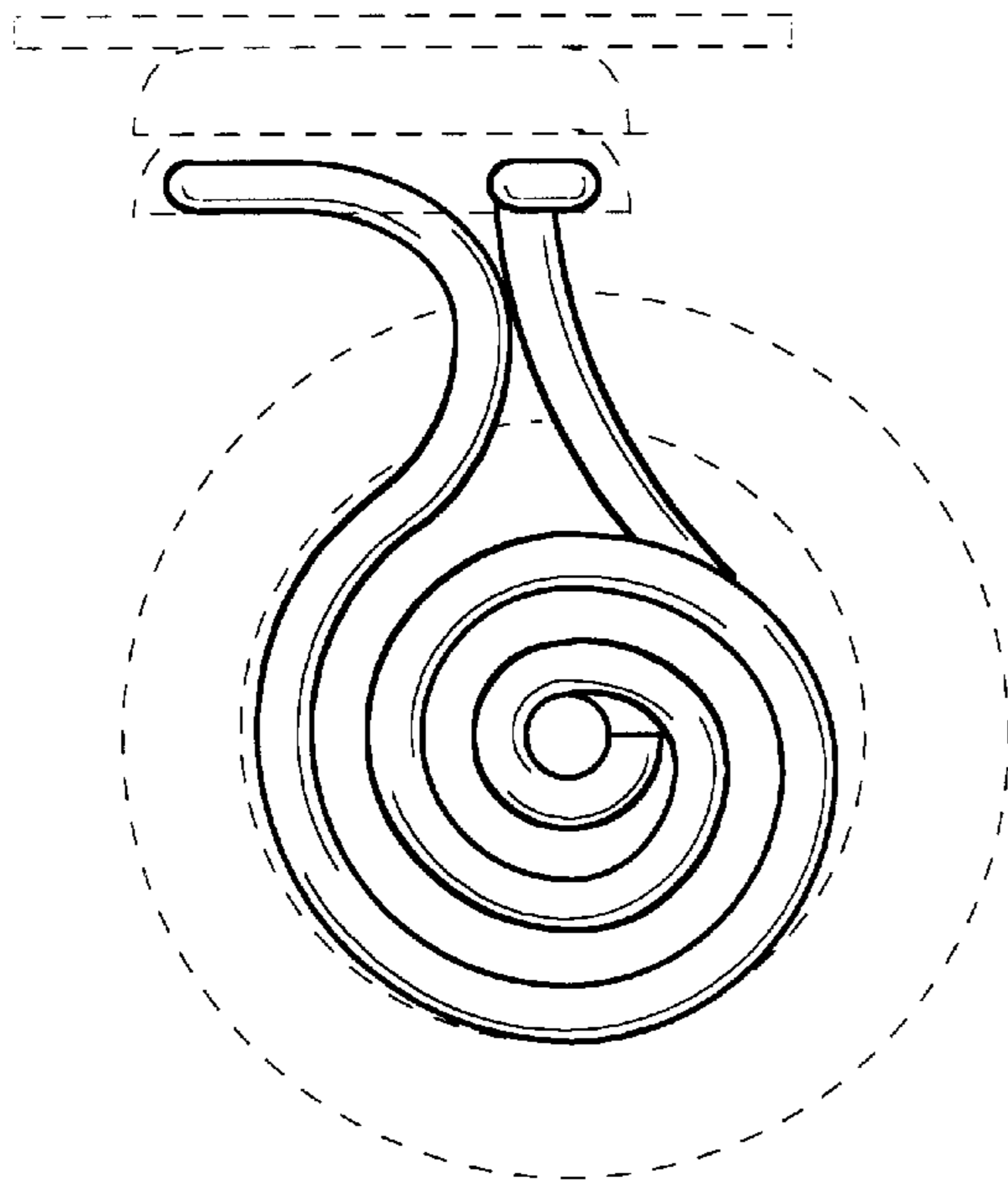


Fig. 4

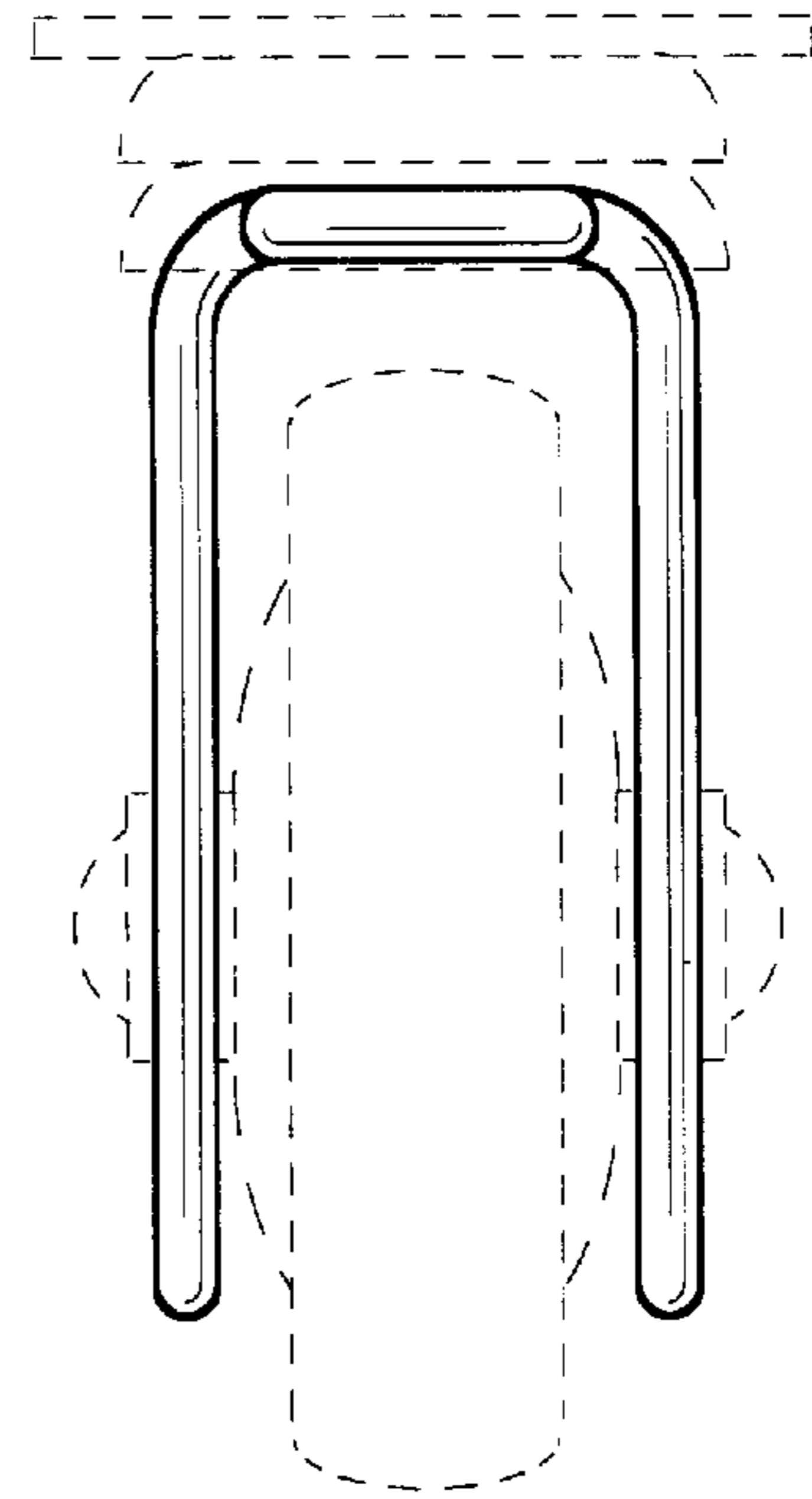


Fig. 5

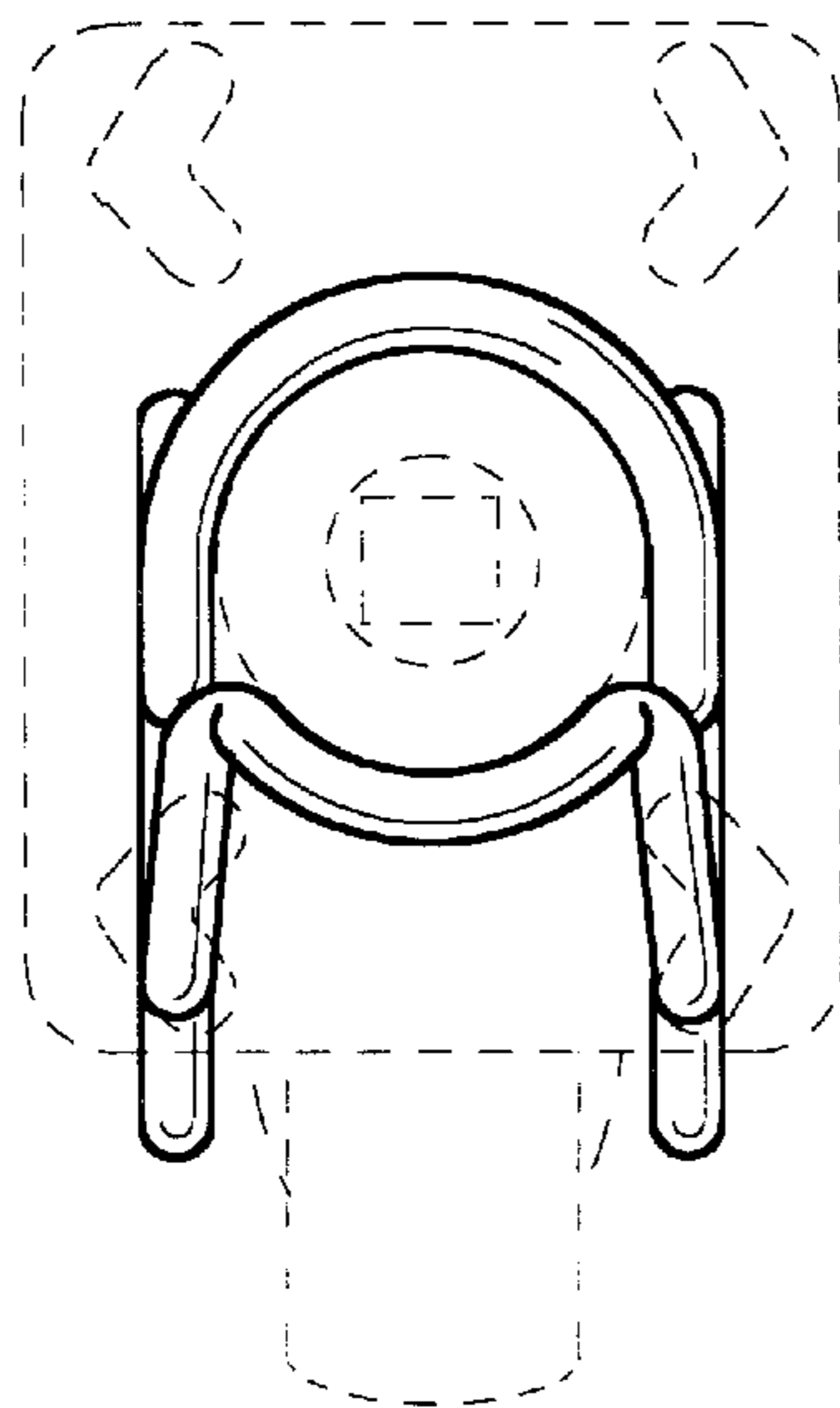


Fig. 6

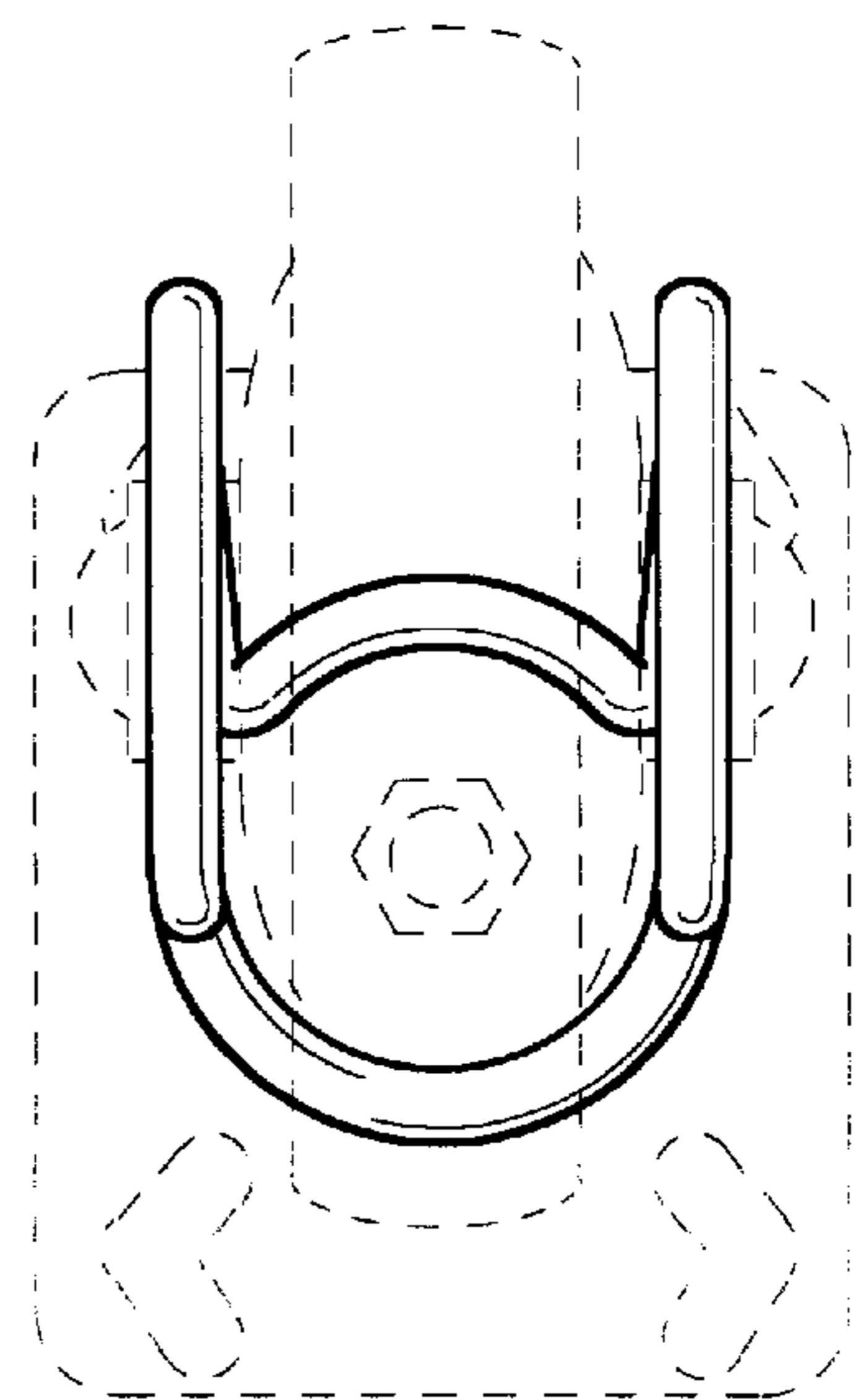


Fig. 7