



US00D414677S

# United States Patent [19] Davies

[11] **Patent Number: Des. 414,677**  
[45] **Date of Patent: \*\* Oct. 5, 1999**

[54] **ARCUATE BRACKET**

1,089,550 3/1914 Hannon et al. .... 248/262

[75] Inventor: **Sean James Davies**, Vaughan, Canada

*Primary Examiner*—Holly Baynham  
*Attorney, Agent, or Firm*—Neil H. Hughes; Ivor M. Hughes;  
Marcelo K. Sarkis

[73] Assignee: **420820 Ontario Limited**, Vaughan,  
Canada

[\*\*] Term: **14 Years**

[57] **CLAIM**

The ornamental design for an arcuate bracket, as shown and described.

[21] Appl. No.: **29/092,328**

[22] Filed: **Aug. 17, 1998**

**DESCRIPTION**

[30] **Foreign Application Priority Data**

Jul. 29, 1998 [CA] Canada ..... 1998-1791

FIG. 1 is a perspective view of the bracket.  
FIG. 2 is another perspective view of the bracket as viewed from the opposite side of FIG. 1.  
FIG. 3 is a side view of the bracket of FIG. 1.  
FIG. 4 is a side view of the bracket of FIG. 2.  
FIG. 5 is an end view of the bracket of FIG. 1.  
FIG. 6 is an end view of the bracket of FIG. 2.  
FIG. 7 is a bottom view of the bracket.  
FIG. 8 is a top view of the bracket.

[51] **LOC (6) Cl.** ..... **08-05**

[52] **U.S. Cl.** ..... **D8/354**

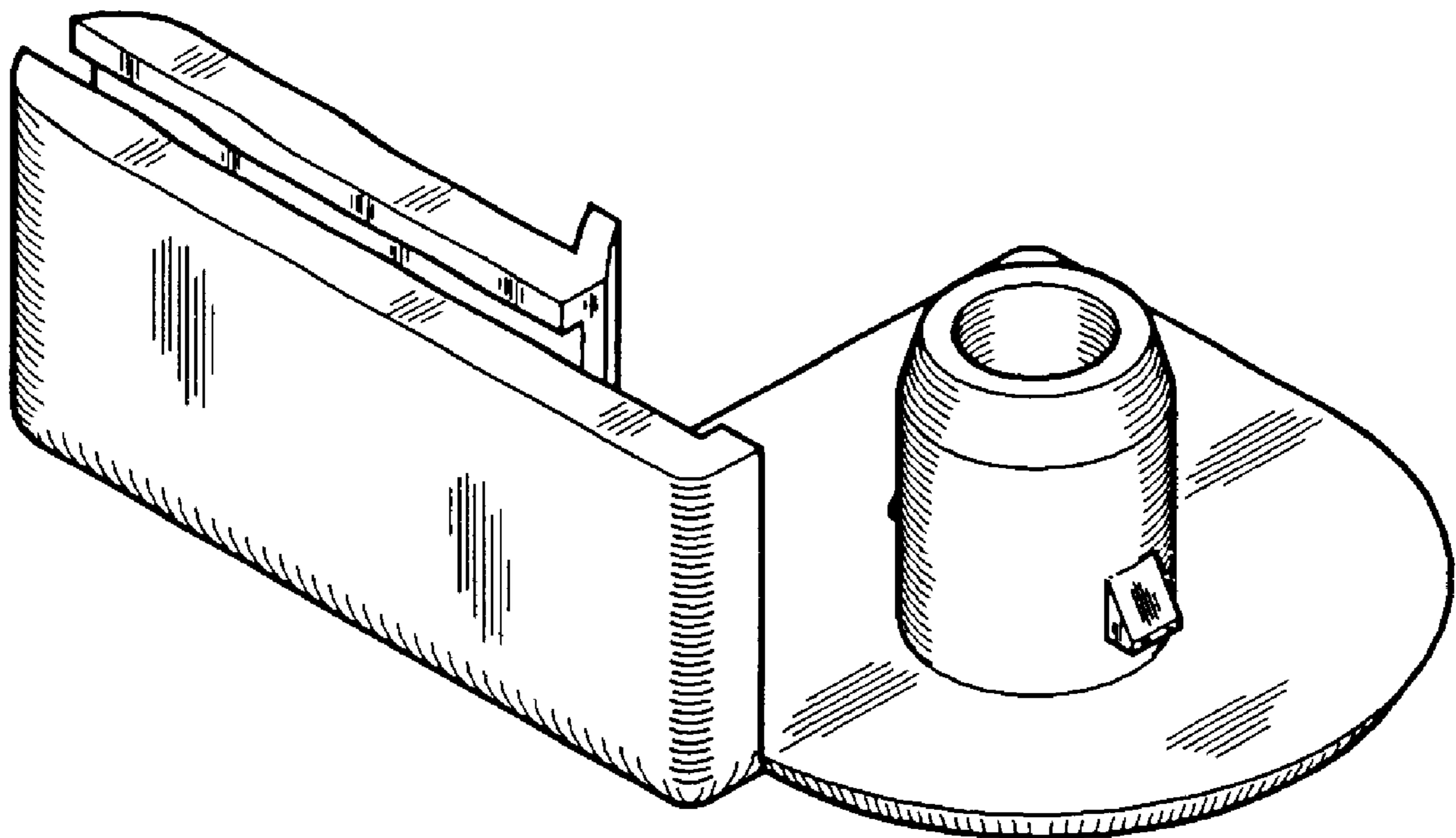
[58] **Field of Search** ..... D8/349, 354; 248/300,  
248/200, 261-262, 251

[56] **References Cited**

**U.S. PATENT DOCUMENTS**

D. 312,041 11/1990 Tezuka ..... D8/373

**1 Claim, 1 Drawing Sheet**



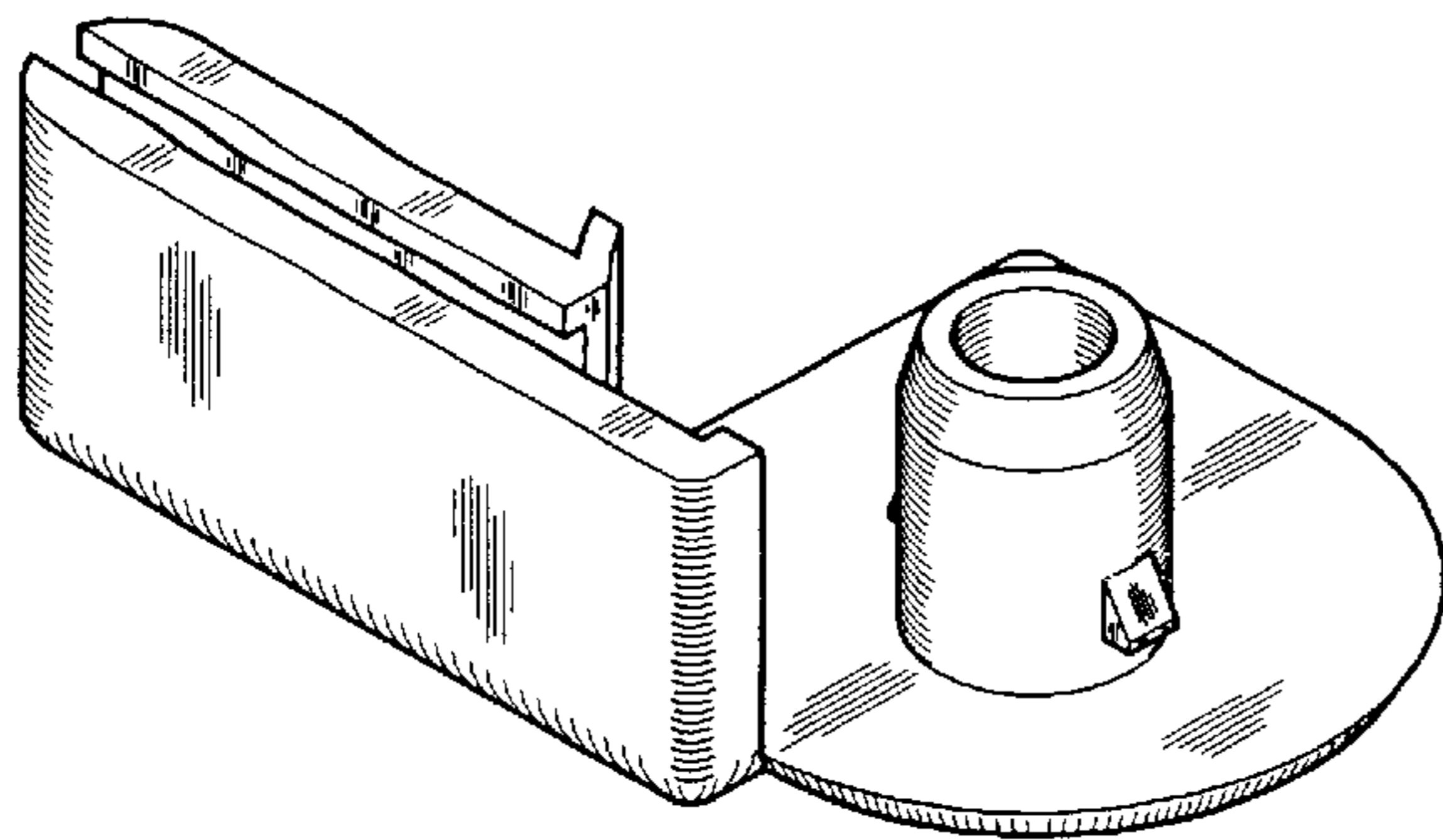


Figure 1

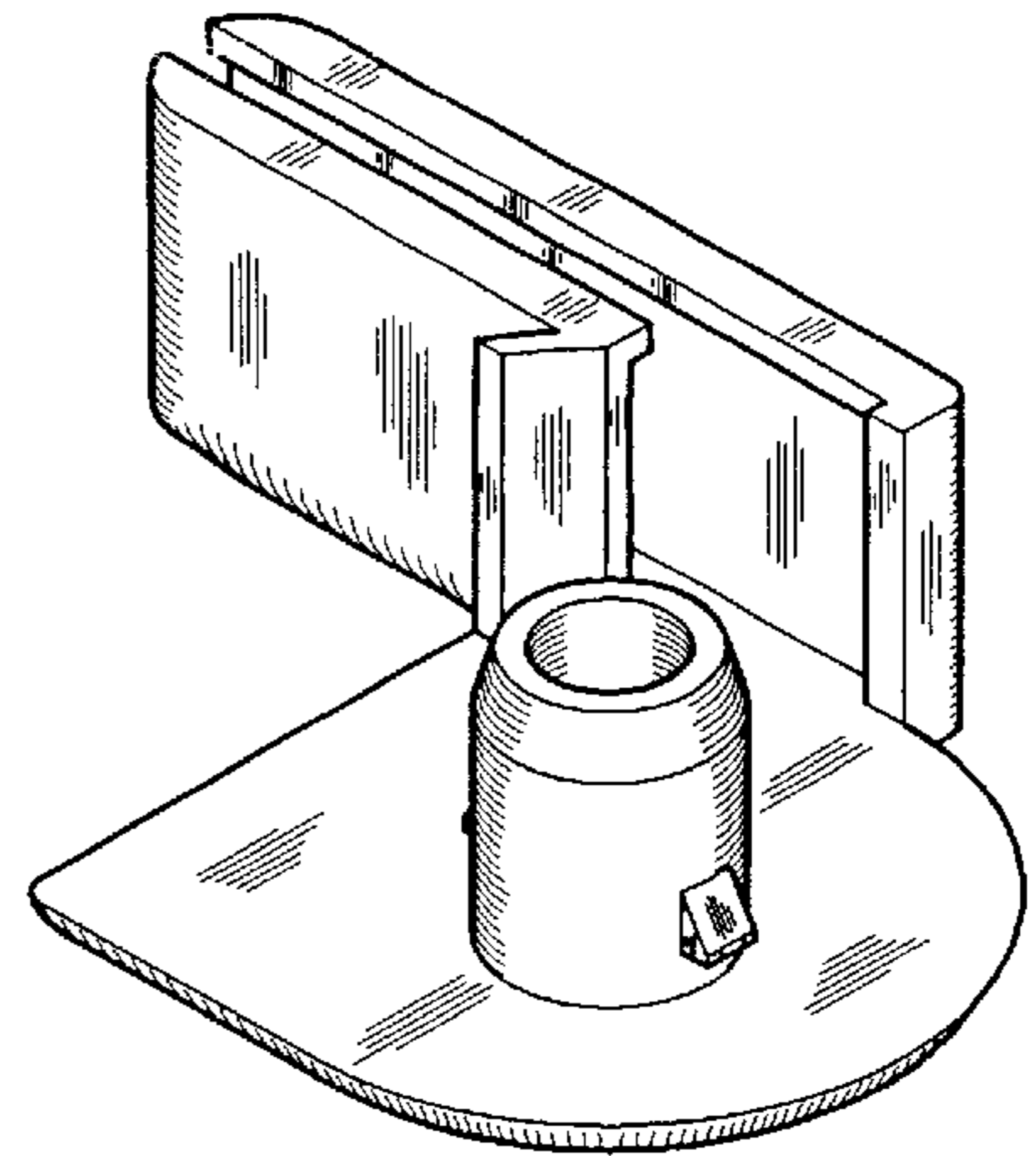


Figure 2

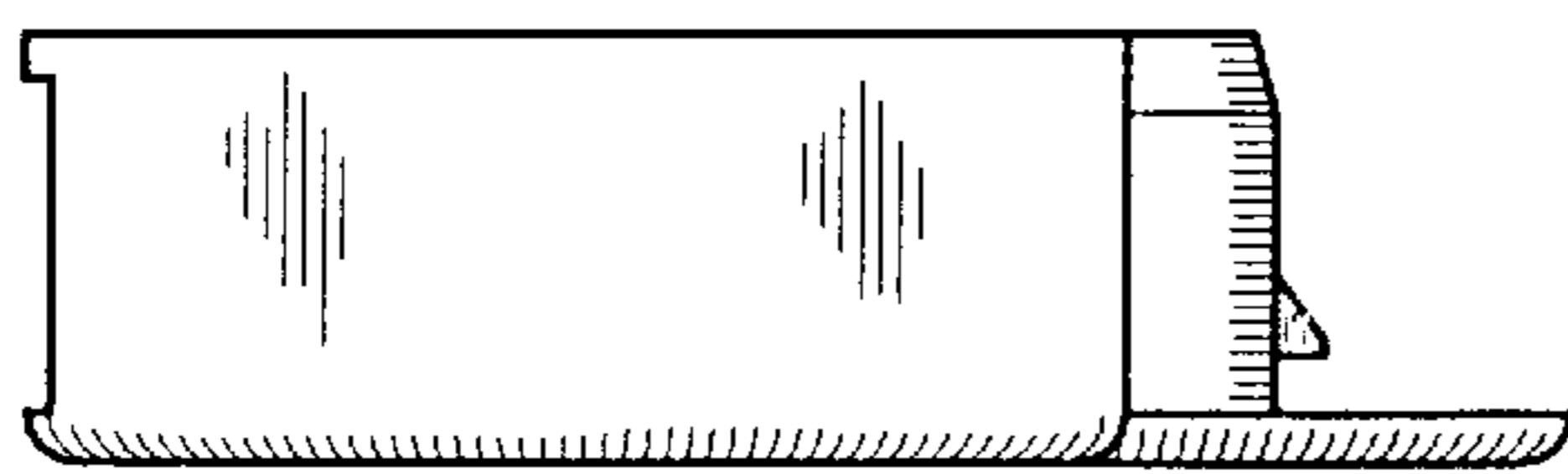


Figure 3

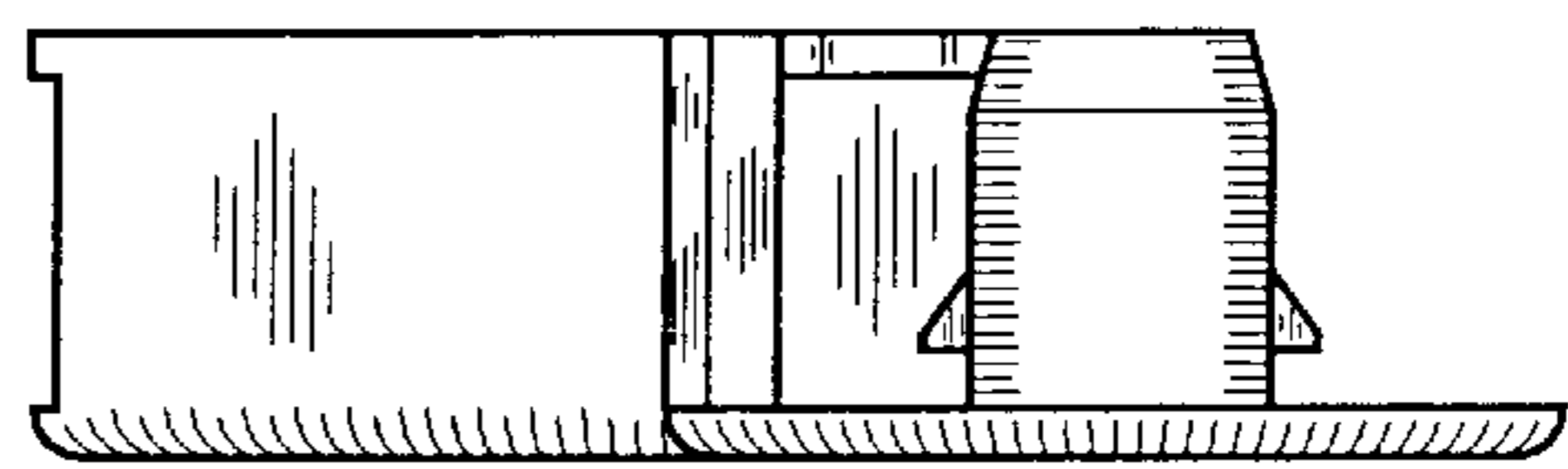


Figure 4

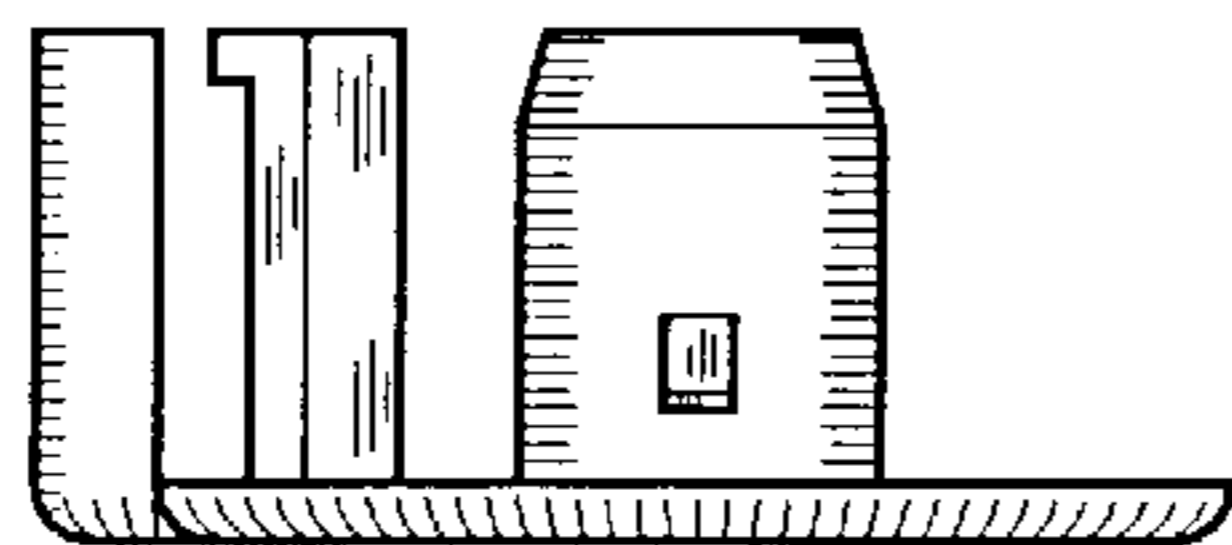


Figure 5

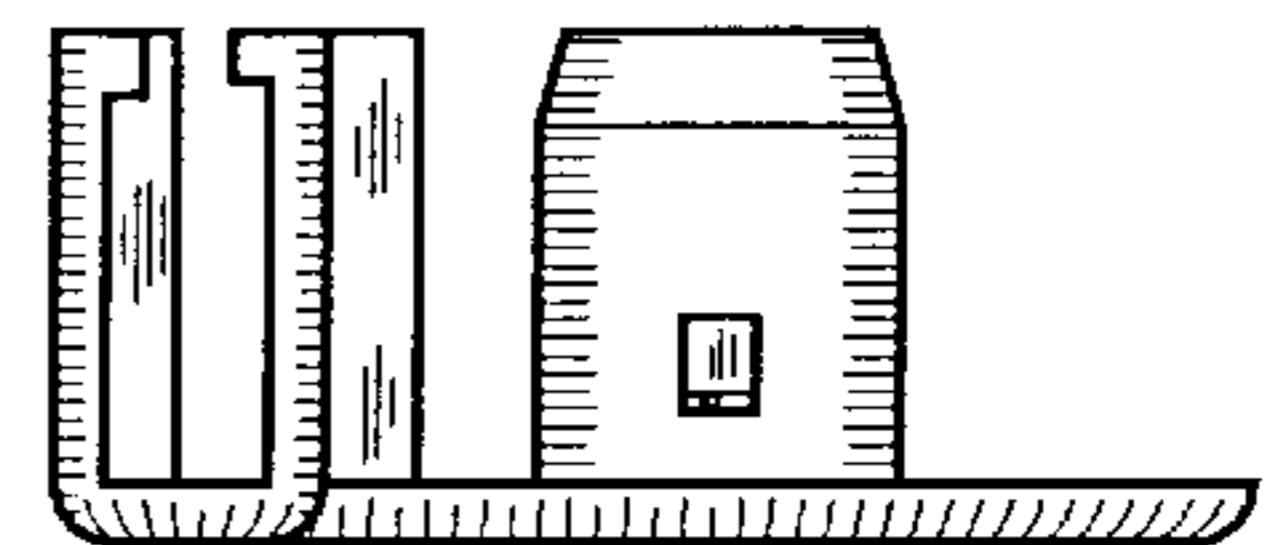


Figure 6

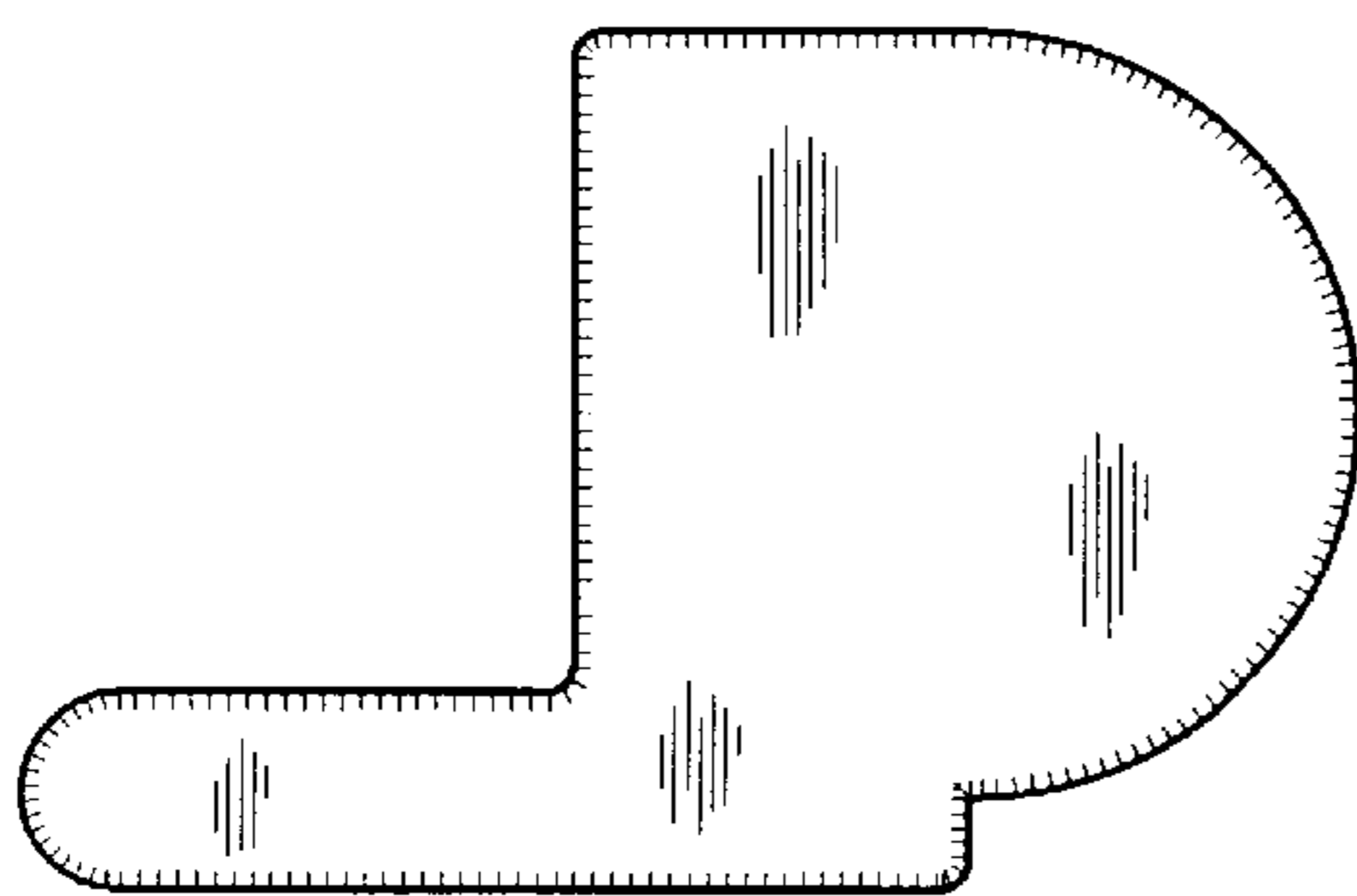


Figure 7

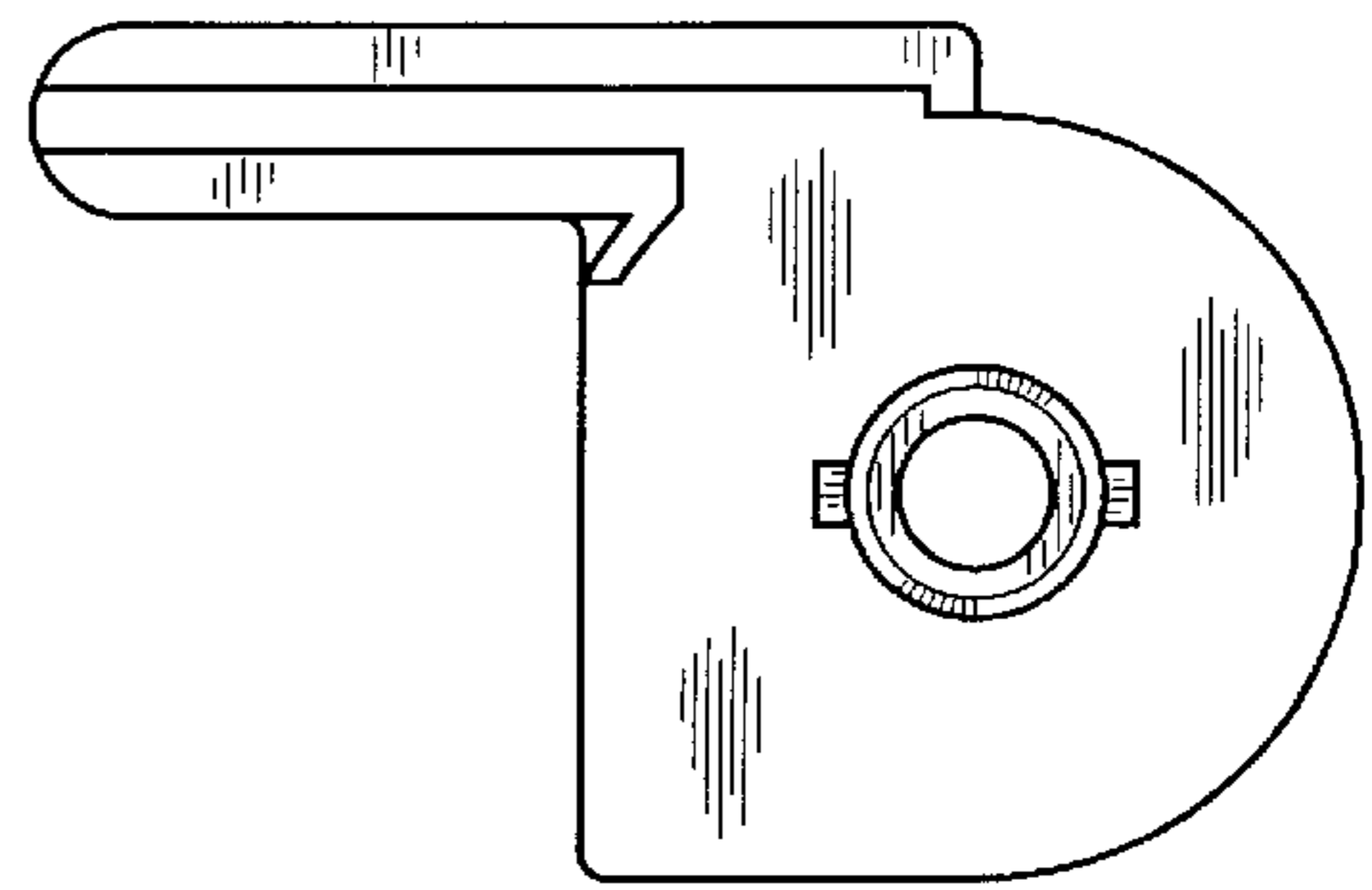


Figure 8