



US00D414675S

# United States Patent [19] Niswanger

[11] Patent Number: **Des. 414,675**

[45] Date of Patent: **\*\* Oct. 5, 1999**

[54] **KINGPIN LOCK**

4,419,872 12/1983 Plifka ..... 70/18  
4,506,528 3/1985 Eberly ..... 70/18

[75] Inventor: **Raymond A. Niswanger**, Granbury, Tex.

*Primary Examiner*—Pamela Burgess  
*Attorney, Agent, or Firm*—James E. Bradley

[73] Assignee: **Blaylock Industries, Inc.**, Fort Worth, Tex.

[57] **CLAIM**

[\*\*] Term: **14 Years**

The ornamental design for kingpin lock, as shown and described.

[21] Appl. No.: **29/096,680**

**DESCRIPTION**

[22] Filed: **Nov. 18, 1998**

FIG. 1 is a perspective view of the kingpin lock of the present invention.

[51] **LOC (6) Cl.** ..... **08-07**

FIG. 2 is a left-side view of the kingpin lock of FIG. 1.

[52] **U.S. Cl.** ..... **D8/333**

FIG. 3 is a right-side view of the kingpin lock of FIG. 1.

[58] **Field of Search** ..... D8/330, 331, 333,  
D8/334; 70/33, 35, 14, 18, 58, 20, 54-57

FIG. 4 is a front view of the kingpin lock of FIG. 1.

FIG. 5 is a rear view of the kingpin lock of FIG. 1.

FIG. 6 is a top view of the kingpin lock of FIG. 1; and,

FIG. 7 is a bottom view of the kingpin lock of FIG. 1.

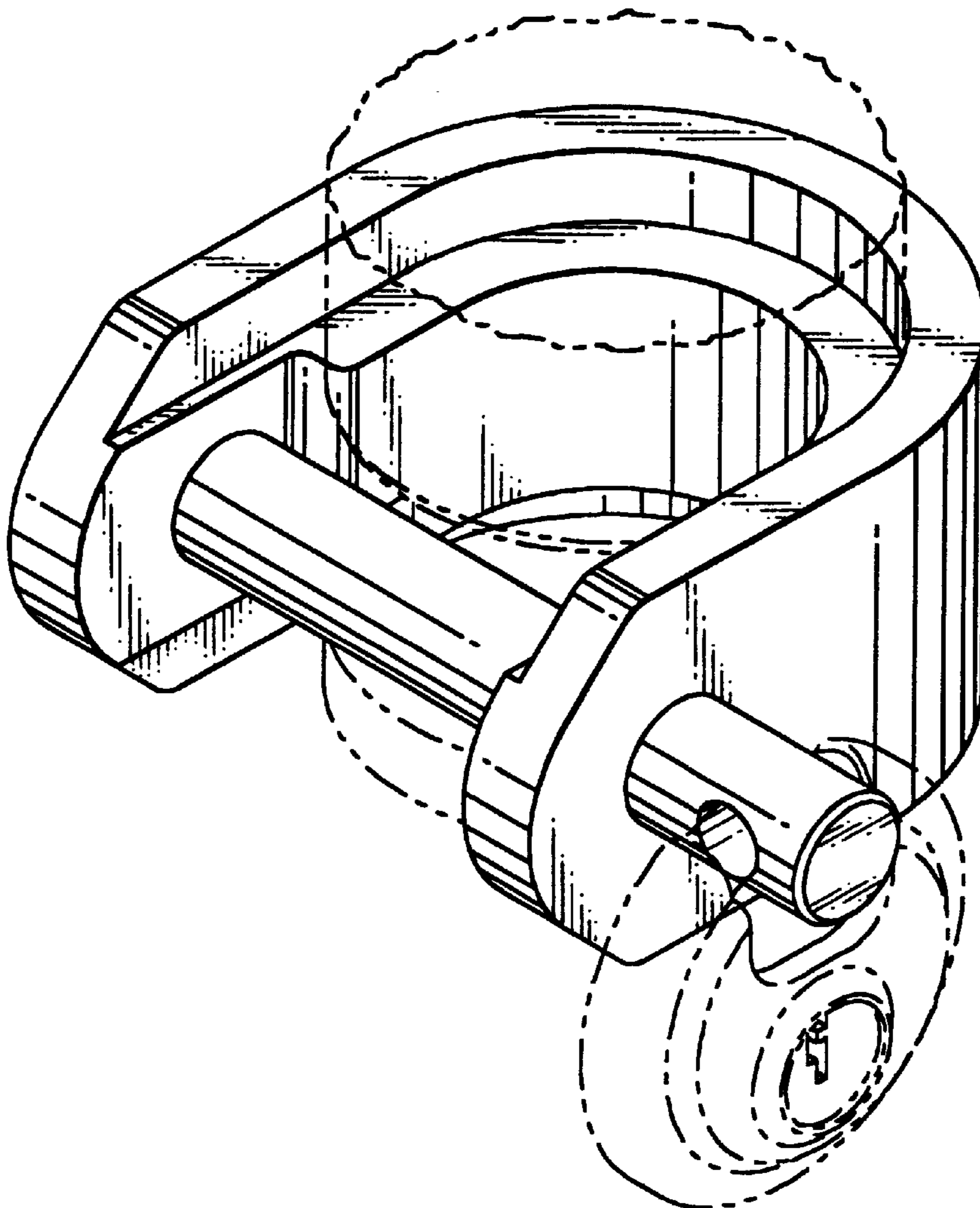
The broken lines shown in all views are for illustrative purposes only and form no part of the claimed design.

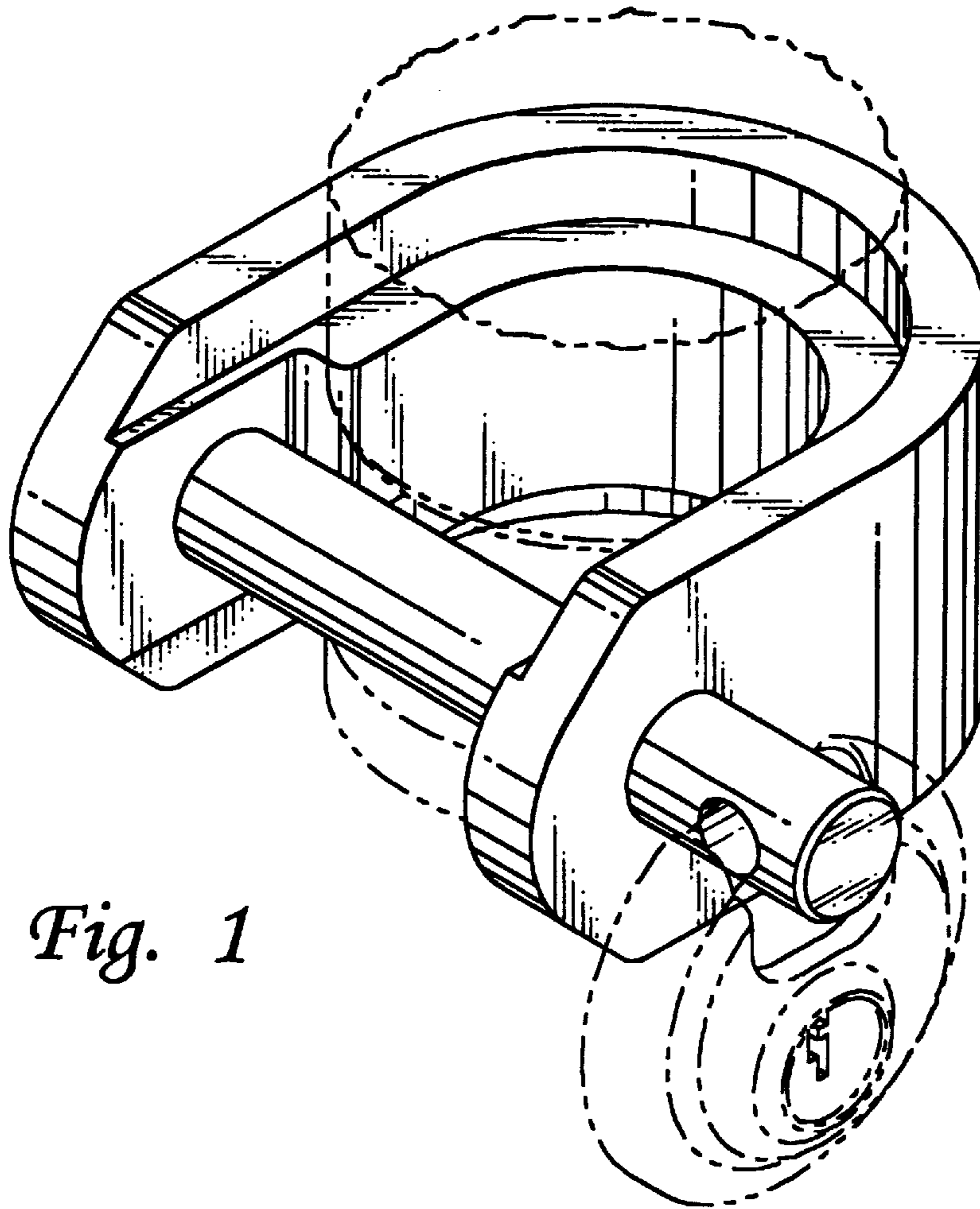
[56] **References Cited**

**U.S. PATENT DOCUMENTS**

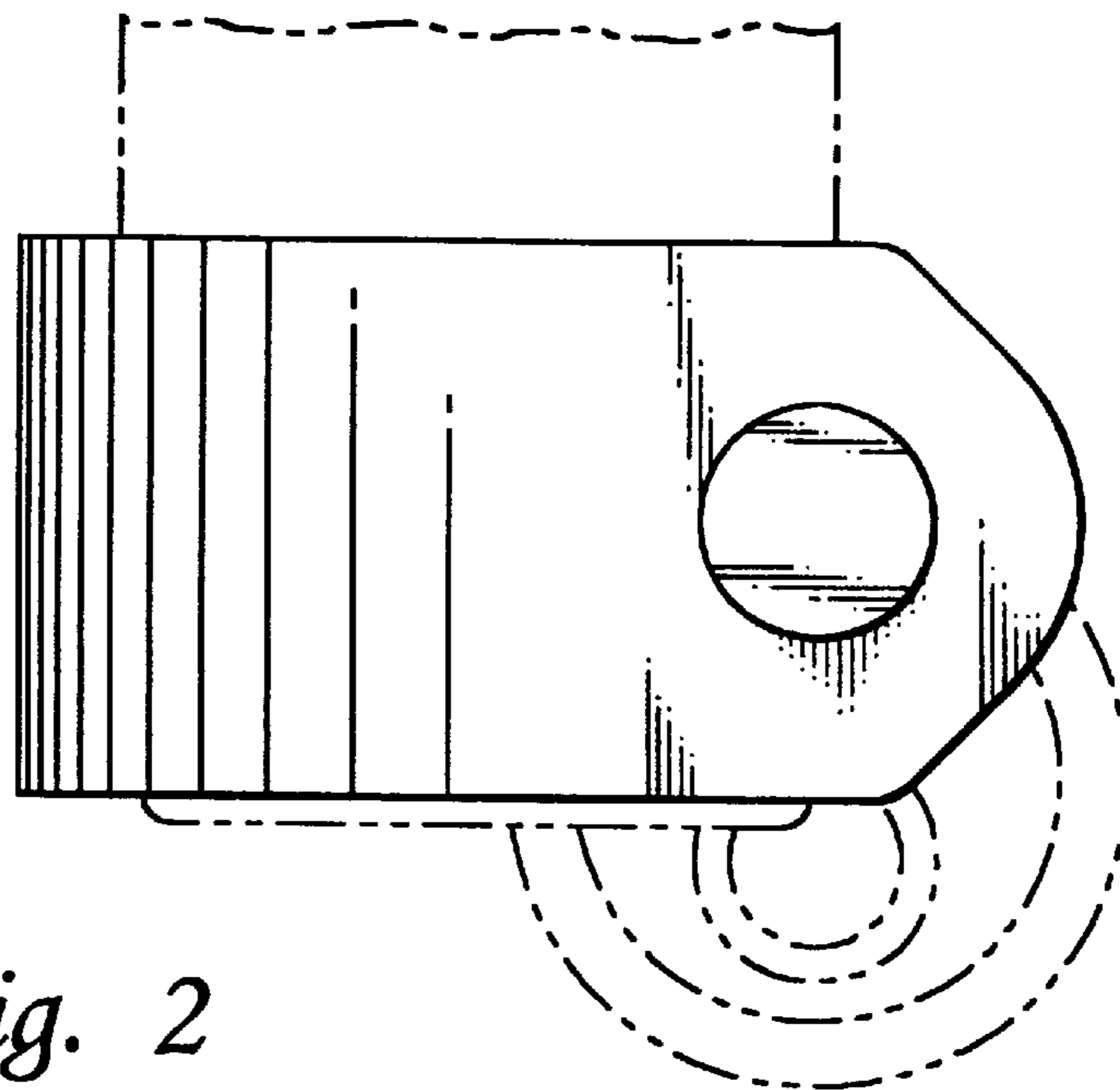
D. 59,062 9/1921 Chapman ..... D8/333  
D. 359,466 6/1995 Eggers et al. .... D8/333  
3,830,085 8/1974 Gerlach ..... 70/35

**1 Claim, 3 Drawing Sheets**

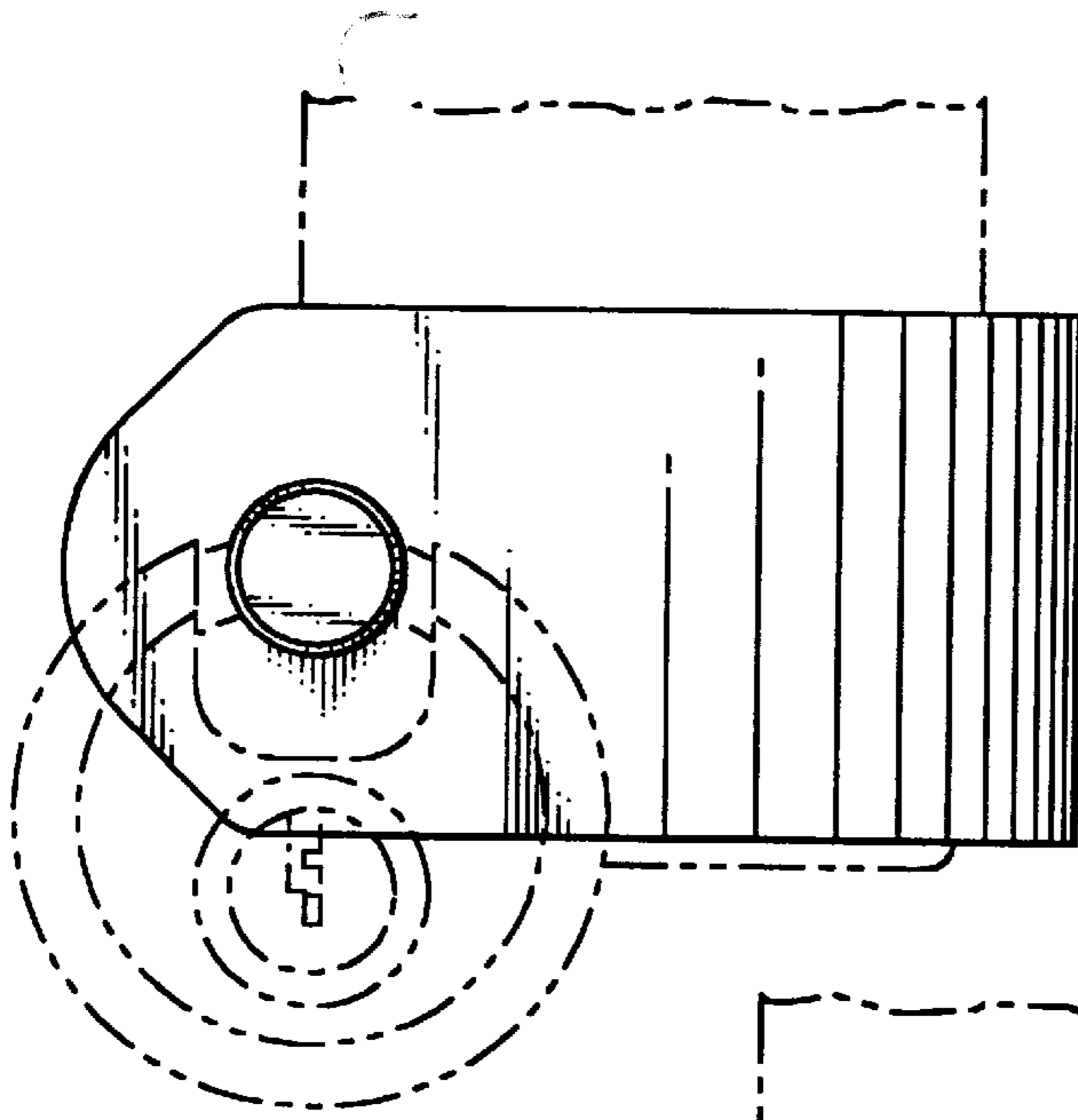




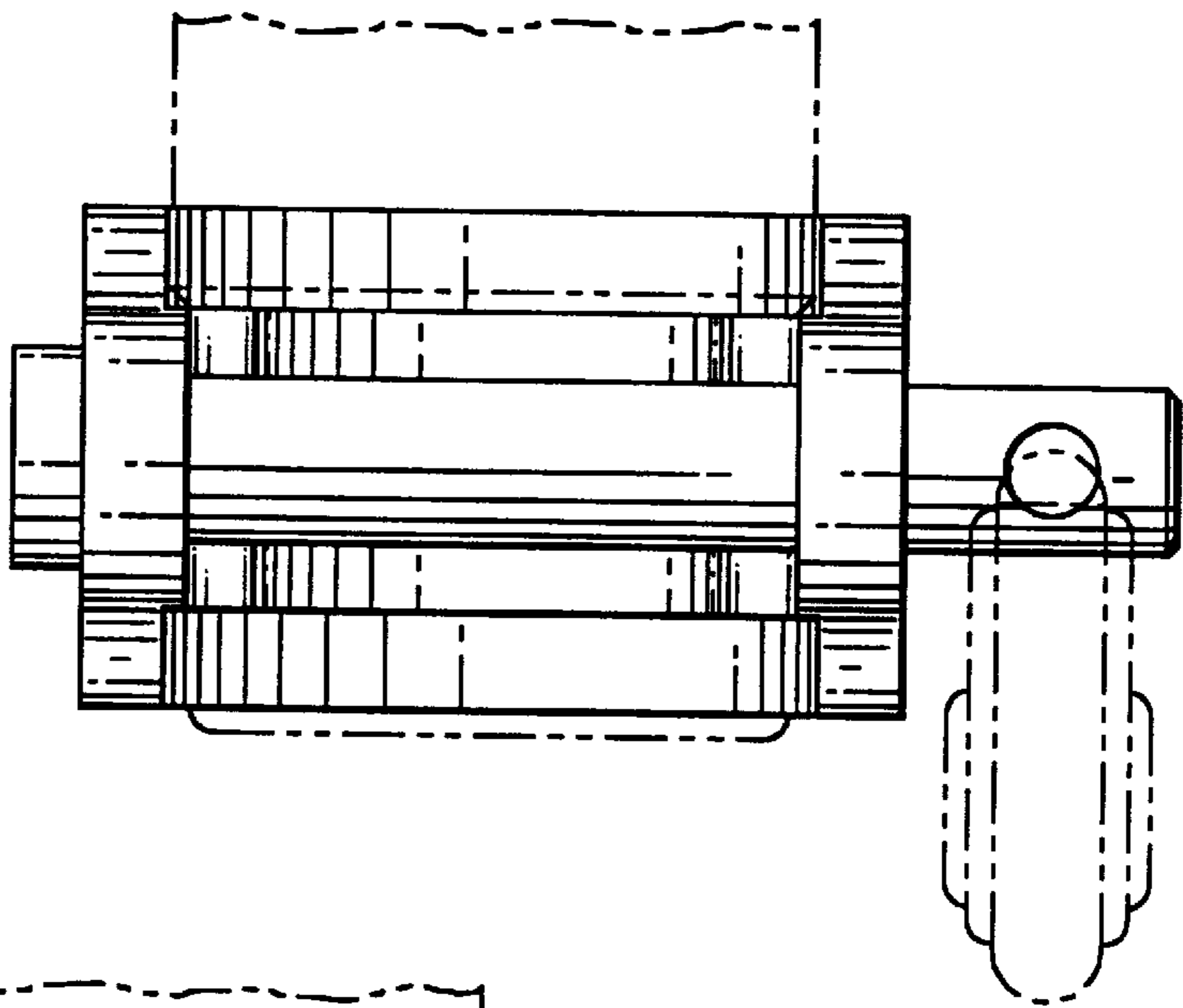
*Fig. 1*



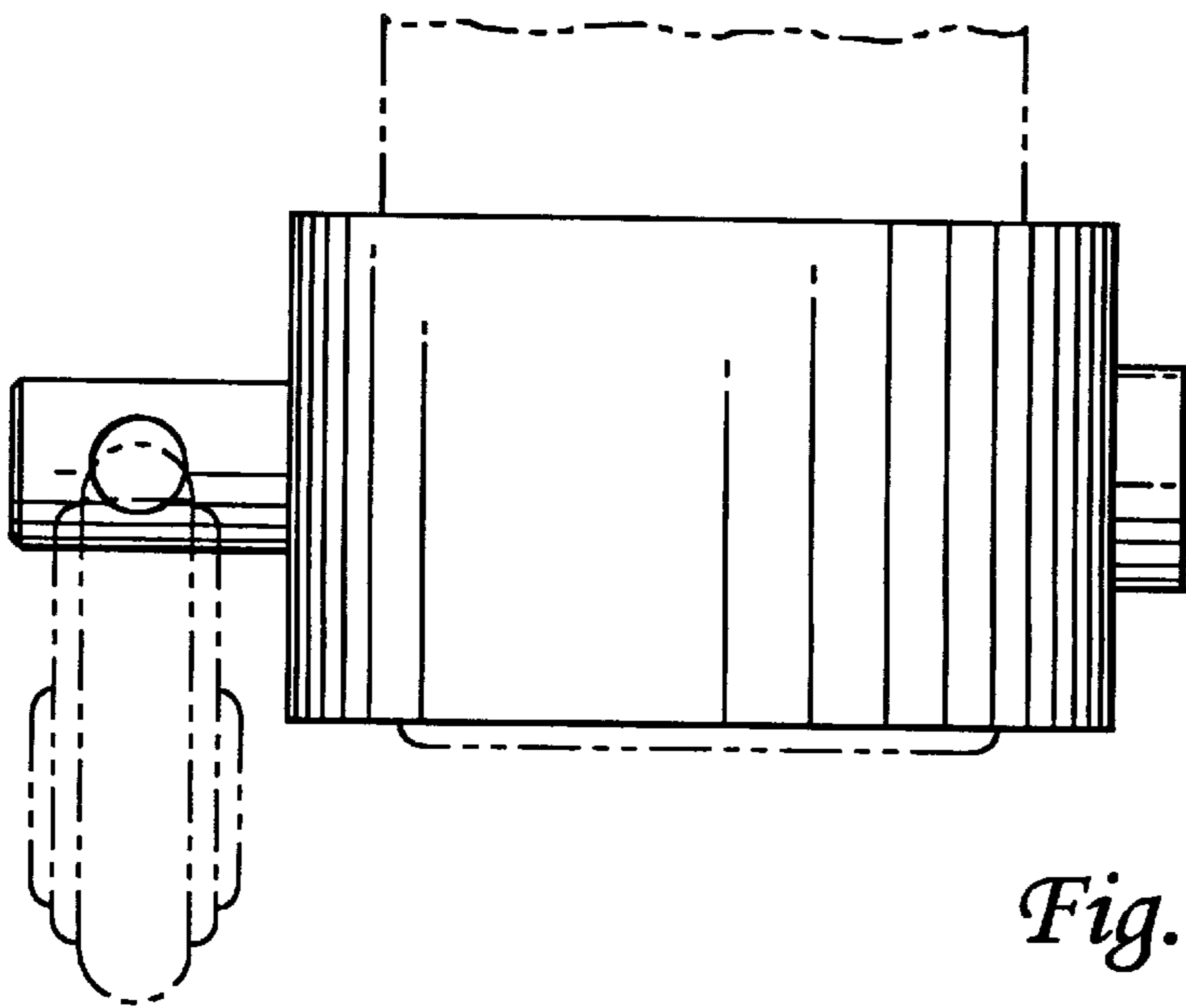
*Fig. 2*



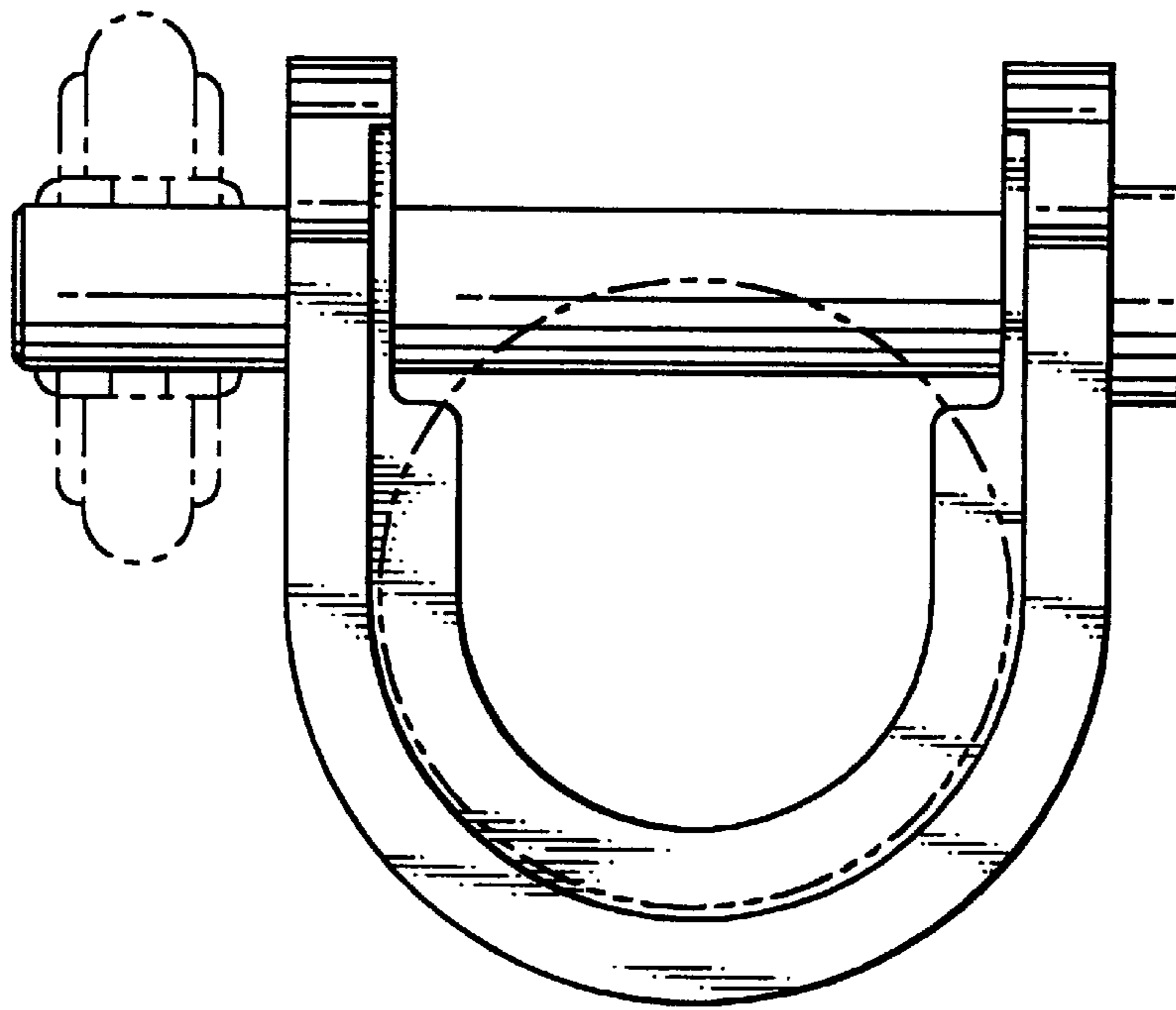
*Fig. 3*



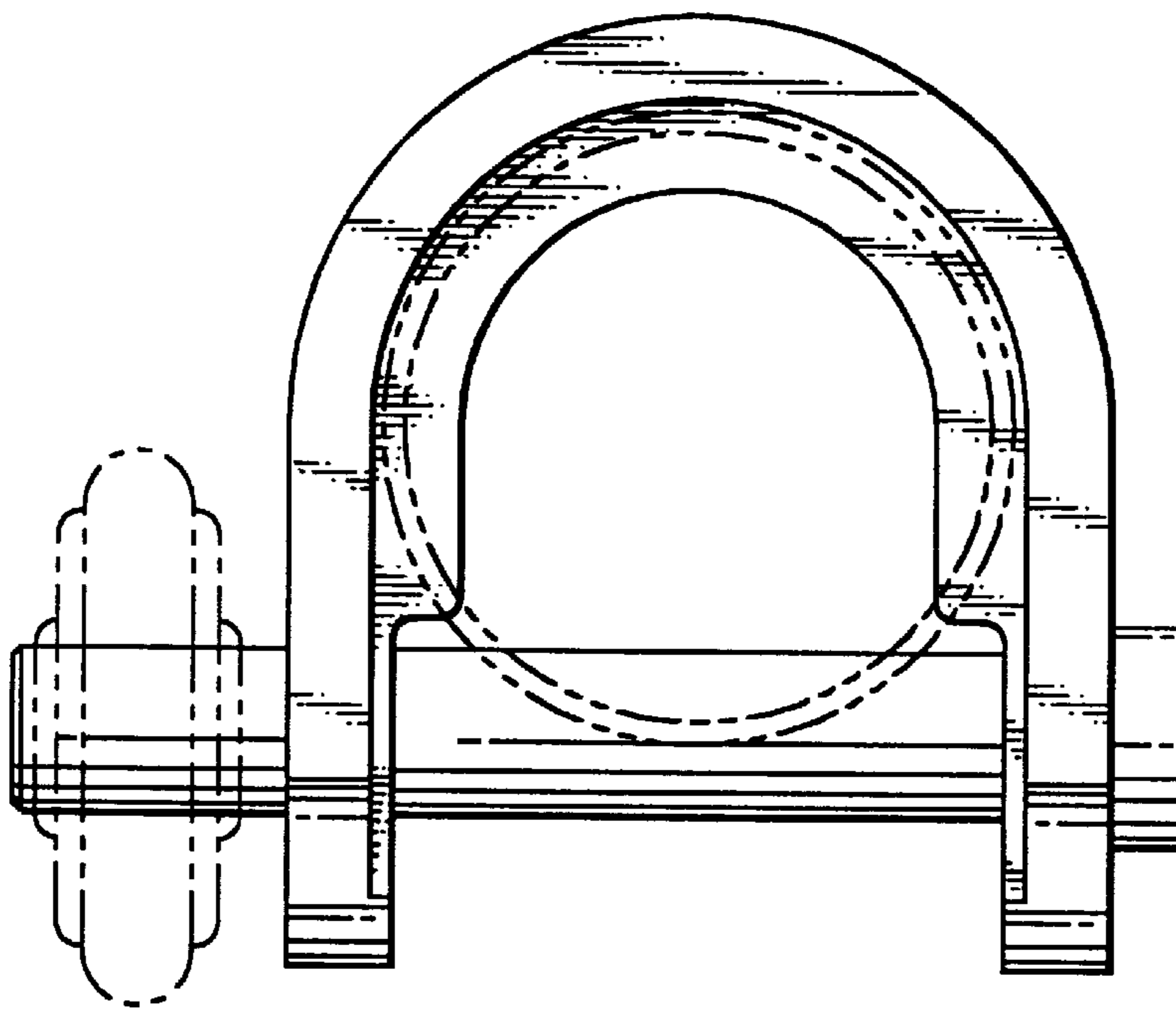
*Fig. 4*



*Fig. 5*



*Fig. 6*



*Fig. 7*