



US00D414671S

# United States Patent [19] Halligan

[11] **Patent Number: Des. 414,671**  
[45] **Date of Patent: \*\* Oct. 5, 1999**

[54] **POCKETKNIFE**

[75] Inventor: **Ed Halligan**, Sharpsburg, Ga.

[73] Assignee: **GB II Corporation**, Wilsonville, Oreg.

[\*\*] Term: **14 Years**

[21] Appl. No.: **29/098,009**

[22] Filed: **Dec. 18, 1998**

[51] **LOC (6) Cl.** ..... **08-03**

[52] **U.S. Cl.** ..... **D8/99**

[58] **Field of Search** ..... D8/98, 99; D22/118;  
30/151, 152, 153, 154, 155, 156, 157, 158,  
159, 160, 161, 162

[56] **References Cited**

**U.S. PATENT DOCUMENTS**

D. 257,612	12/1980	Goldin et al.	.....	D8/99
D. 270,655	9/1983	Collins	.....	D8/99
D. 275,449	9/1984	Ferraro	.....	D8/99
D. 302,649	8/1989	Porsche et al.	.....	D8/99
D. 302,650	8/1989	Giordano	.....	D8/99
D. 304,154	10/1989	Osterhout	.....	D8/99

D. 321,820 11/1991 Russell ..... D8/99

*Primary Examiner*—Philip S. Hyder  
*Attorney, Agent, or Firm*—Stoel Rives LLP

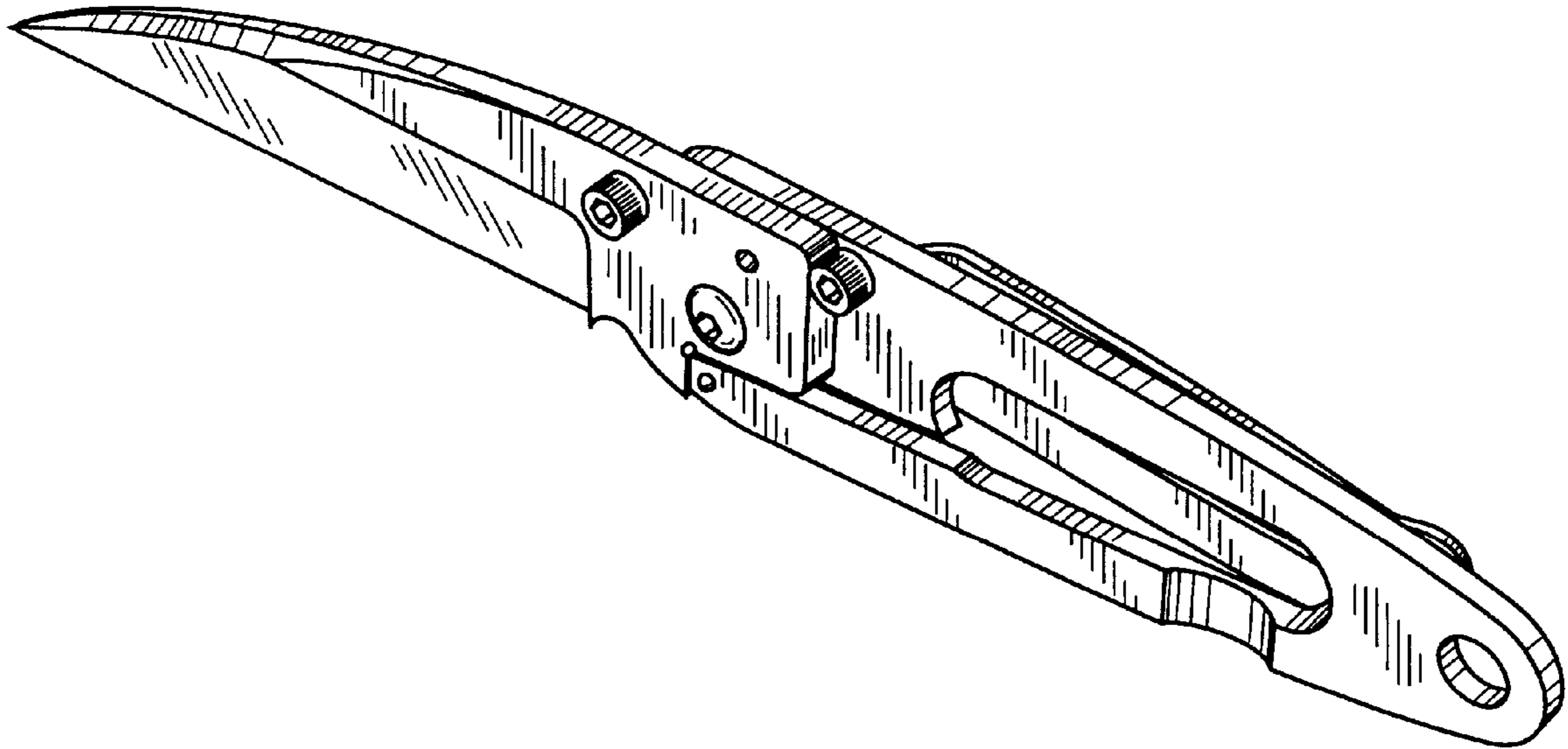
[57] **CLAIM**

I claim the ornamental design for a pocketknife, as shown and described.

**DESCRIPTION**

FIG. 1 is a perspective view of a pocketknife with its blade in an open position;  
FIG. 2 is a perspective view of the pocketknife of FIG. 1 with its blade shown in an alternate, folded, position;  
FIG. 3 is a top plan view of the pocketknife of FIG. 1;  
FIG. 4 is a front elevational view of the pocketknife of FIG. 1;  
FIG. 5 is a bottom plan view of the pocketknife of FIG. 1;  
FIG. 6 is a back elevational view of the pocketknife of FIG. 1;  
FIG. 7 is a handle end view of the pocketknife of FIG. 1; and,  
FIG. 8 is a tip end view of the pocketknife of FIG. 1.

**1 Claim, 2 Drawing Sheets**



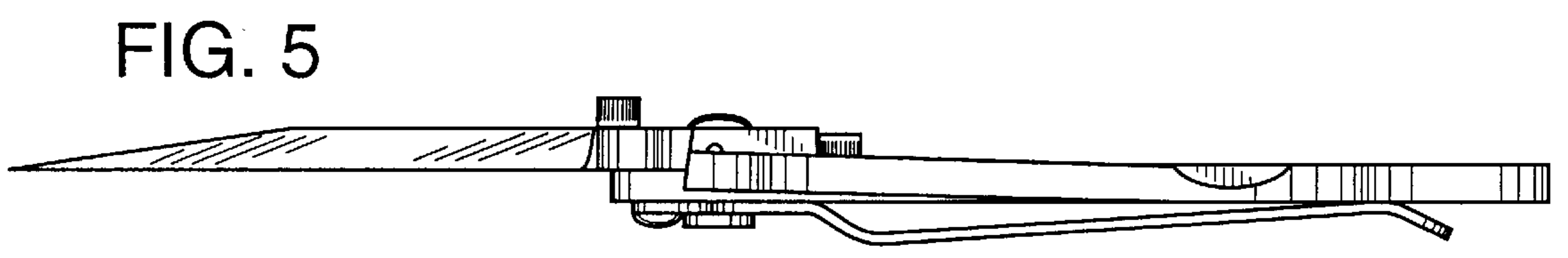
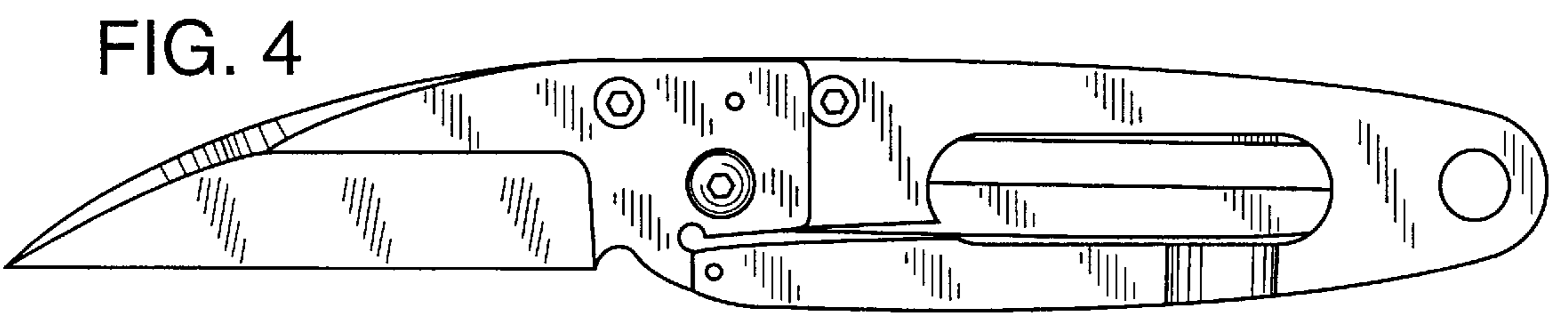
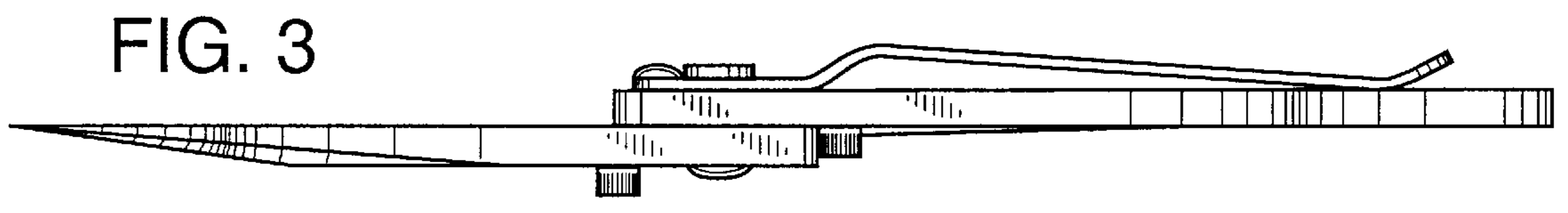
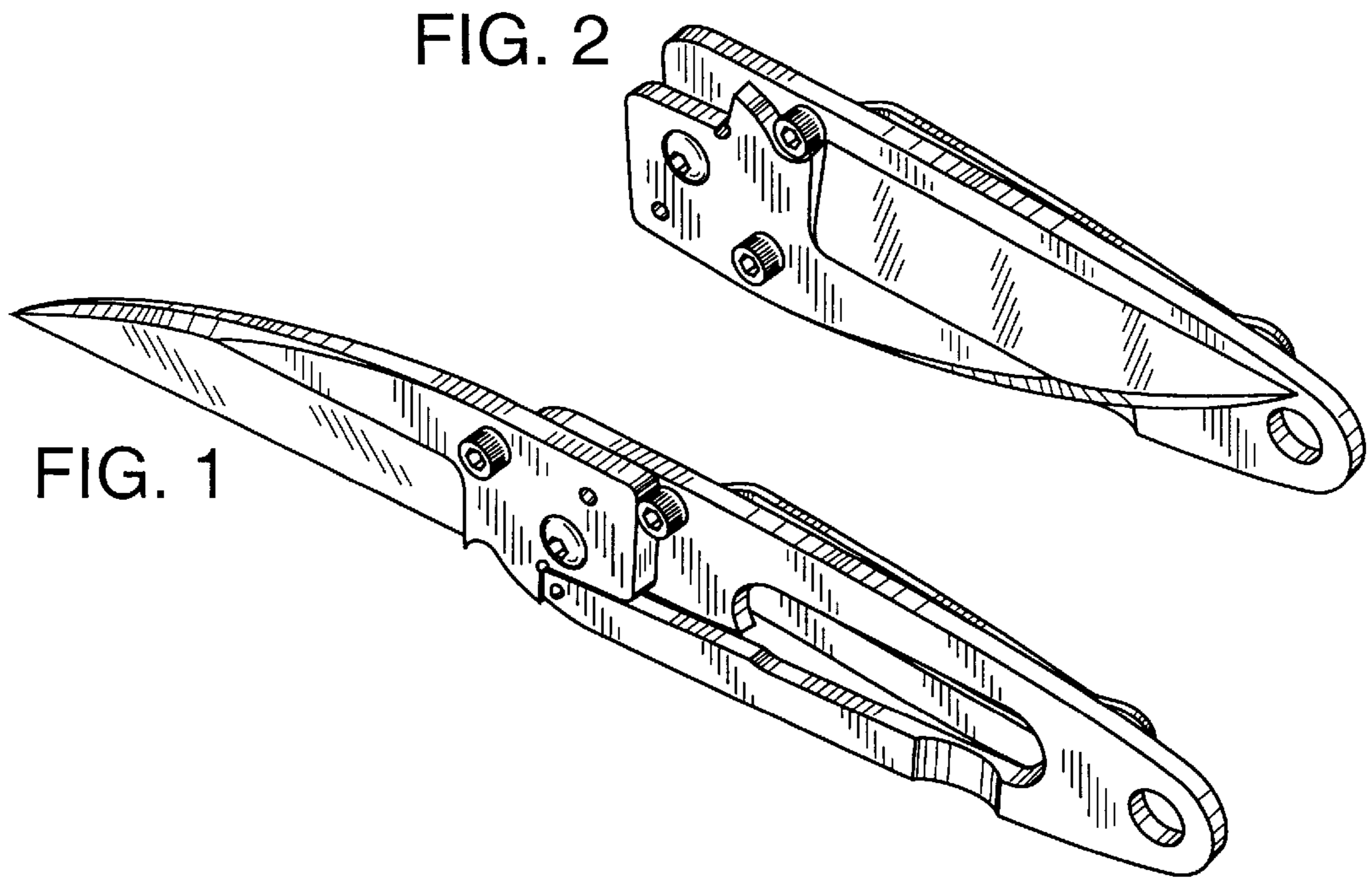


FIG. 6

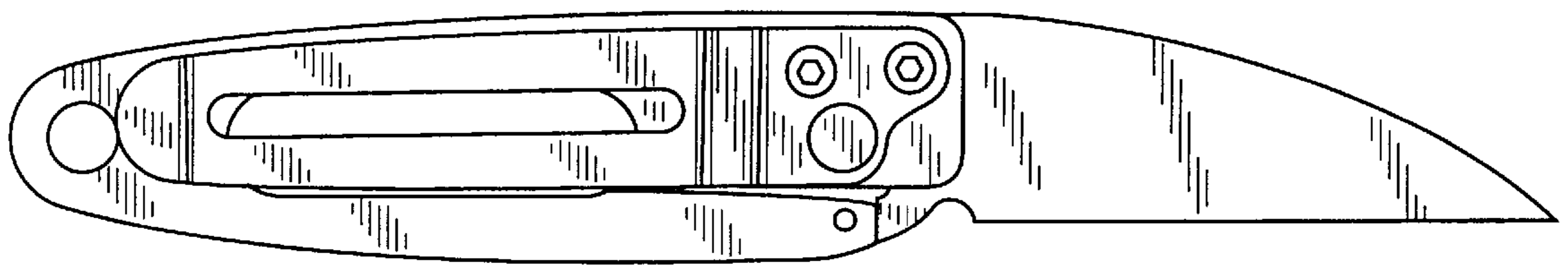


FIG. 7

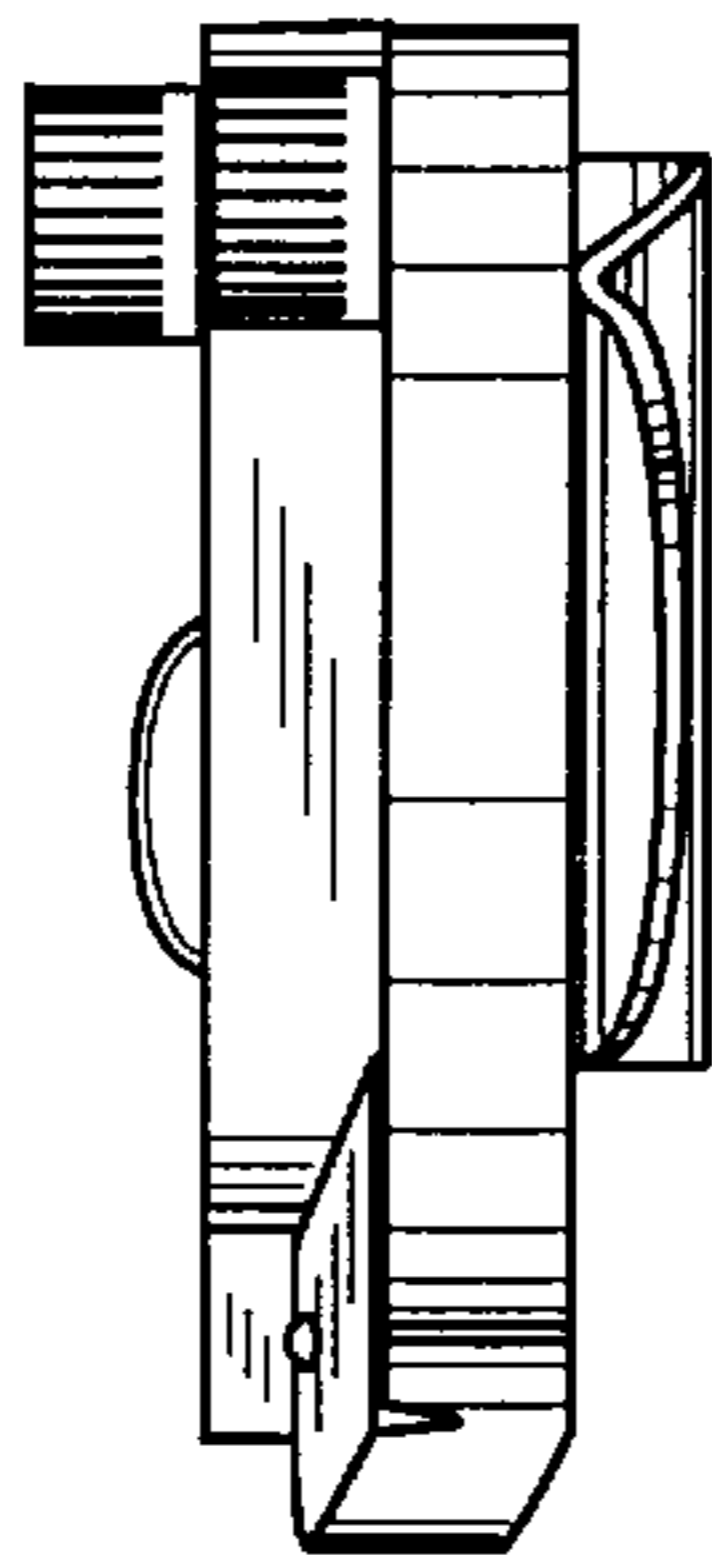


FIG. 8

