



US00D414669S

United States Patent [19]
Howard

[11] **Patent Number: Des. 414,669**
[45] **Date of Patent: ** Oct. 5, 1999**

[54] **DRILL STAND**

[76] Inventor: **David R. Howard**, 8924 Hauser,
Lenexa, Kans. 66215

[**] Term: **14 Years**

[21] Appl. No.: **29/063,977**

[22] Filed: **Jul. 16, 1996**

Related U.S. Application Data

[63] Continuation-in-part of application No. 29/049,008, Jan. 17,
1996, abandoned.

[51] **LOC (6) Cl.** **08-05**

[52] **U.S. Cl.** **D8/71; D15/140**

[58] **Field of Search** D8/61, 70, 71;
D15/132, 140; 175/20, 202, 203, 220; 408/204

[56] **References Cited**

U.S. PATENT DOCUMENTS

2,645,458	7/1953	Yost	175/202
4,585,080	4/1986	Bender	175/202
5,004,055	4/1991	Porritt et al.	175/20
5,058,688	10/1991	Scott et al.	175/20

OTHER PUBLICATIONS

DYMO-Rig Diamond Drilling Rig Model 4125, Milwaukee
Electric Tools for Contractors and Industry Catalog #195, p.
44.

“Core Drilling Machines”, pp. 82–83, Target 1994 Catalog,
6th Edition, Published in 1994.

Primary Examiner—Robert M. Spear
Attorney, Agent, or Firm—Joseph B. Bowman

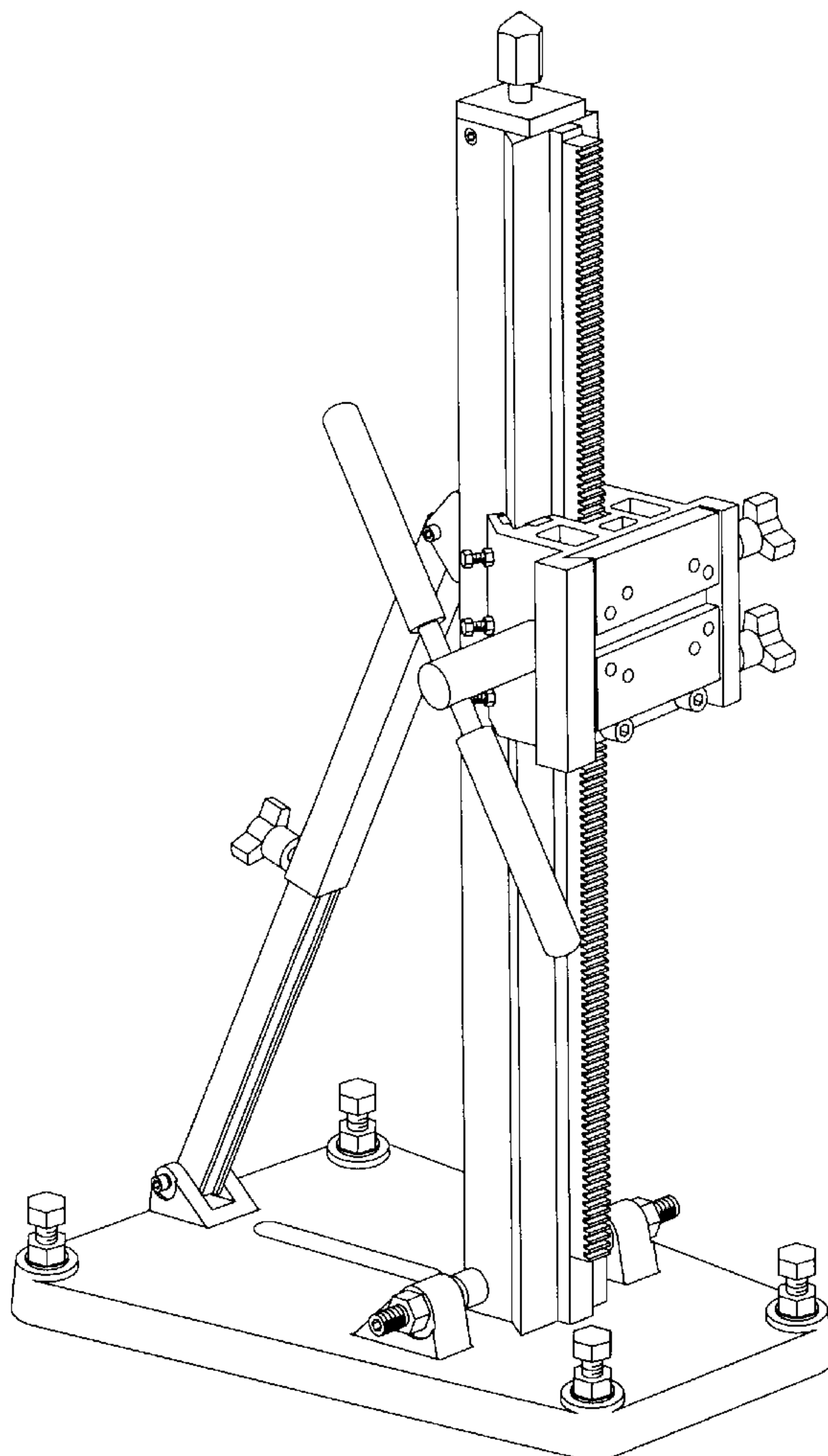
[57] **CLAIM**

The ornamental design for a drill stand, as shown and
described.

DESCRIPTION

FIG. 1 is a perspective view of a drill stand showing my new
design;
FIG. 2 is a top plan view thereof;
FIG. 3 is a right side elevational view thereof;
FIG. 4 is a rear elevational view thereof;
FIG. 5 is a front elevational view thereof; and,
FIG. 6 is a left side elevational view thereof.

1 Claim, 2 Drawing Sheets



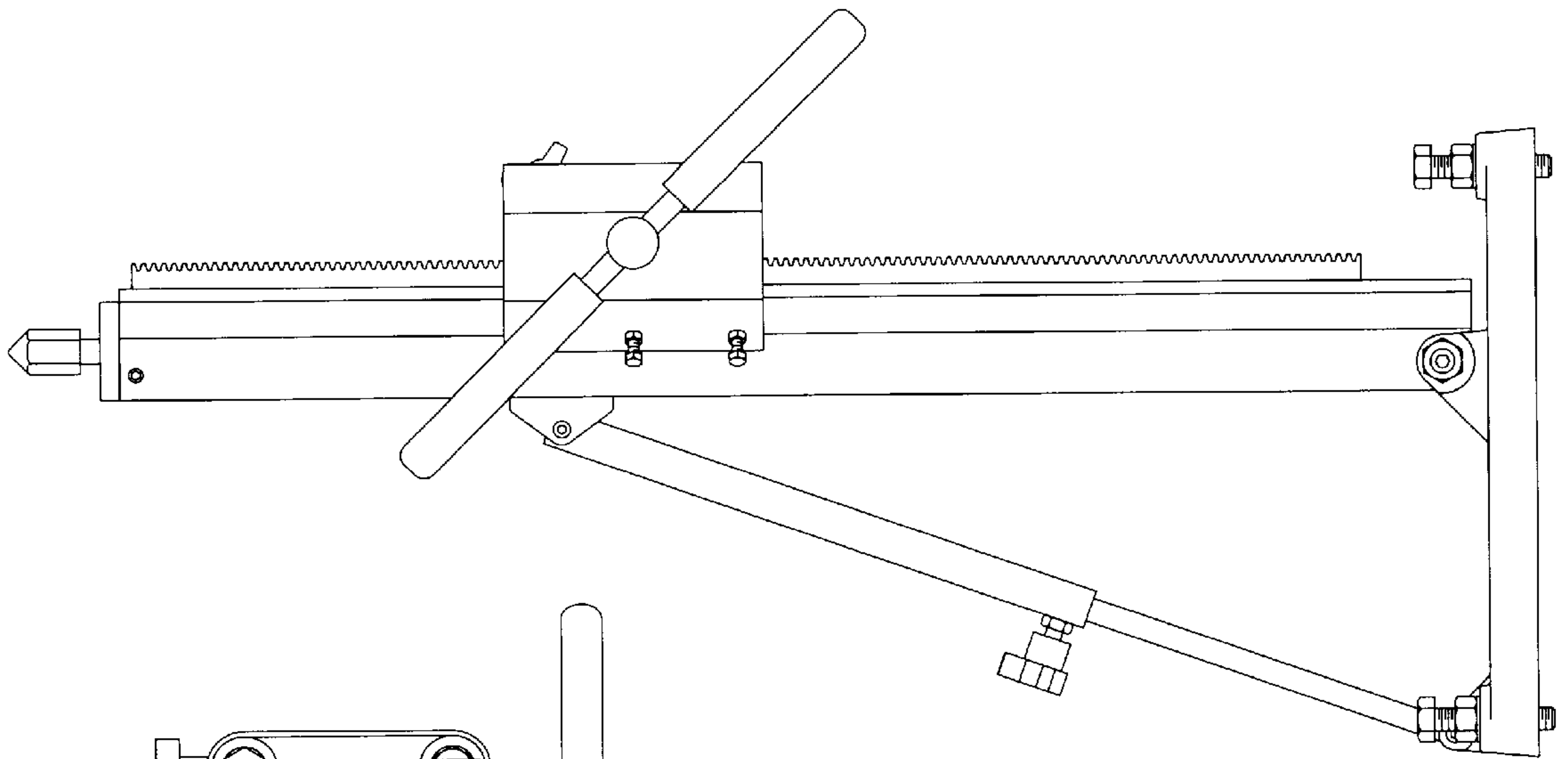


Fig. 3.

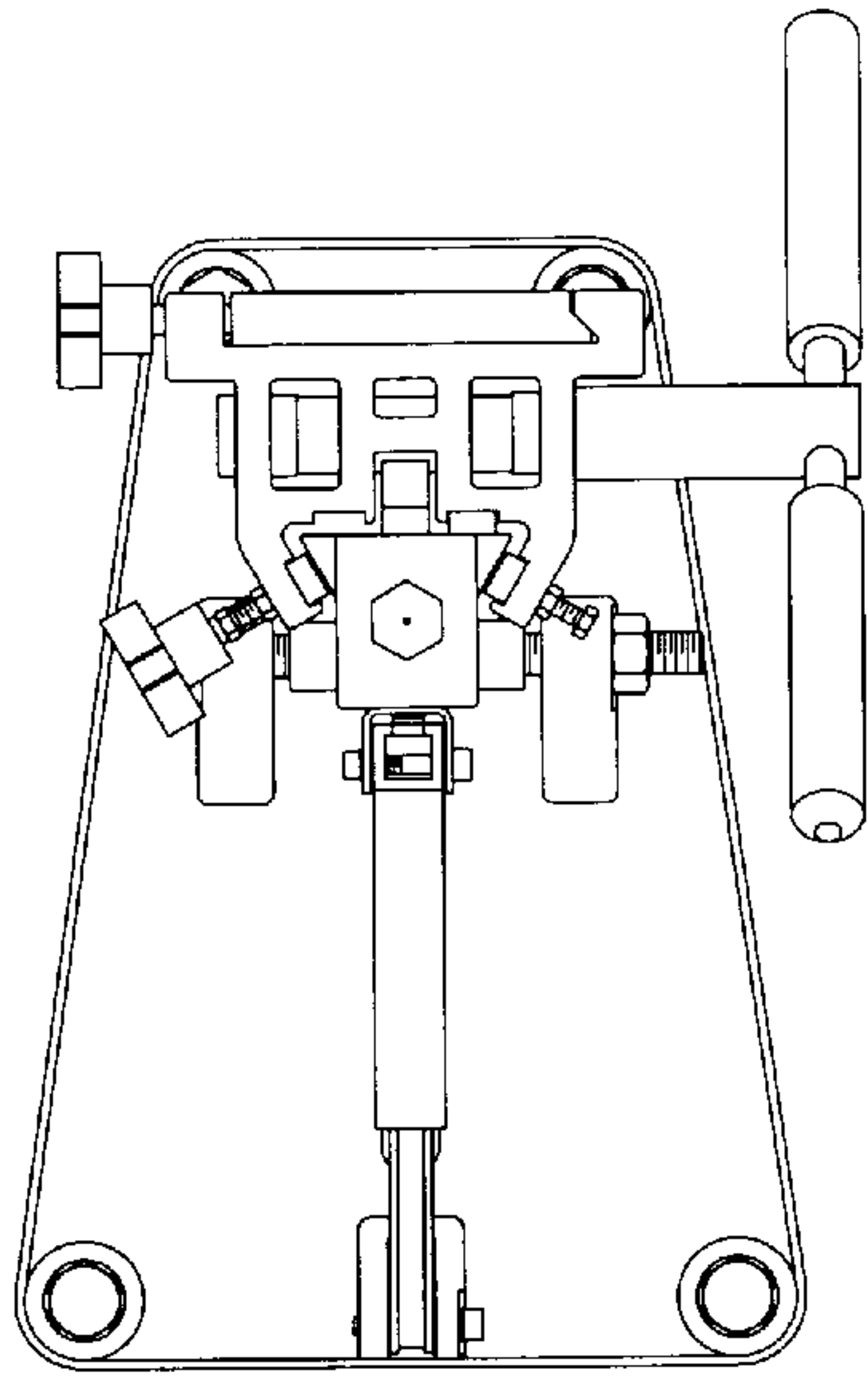


Fig. 2.

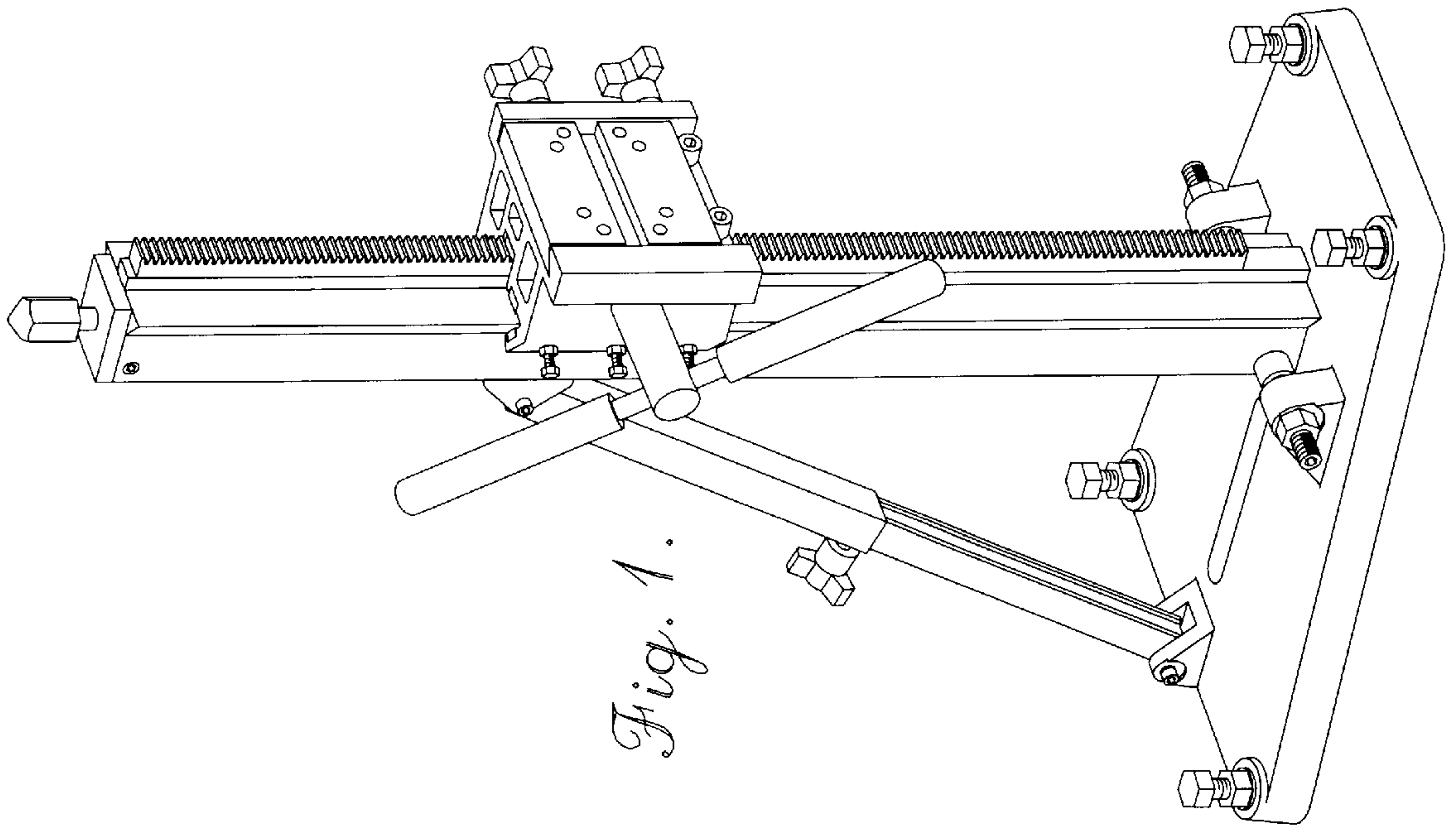


Fig. 1.

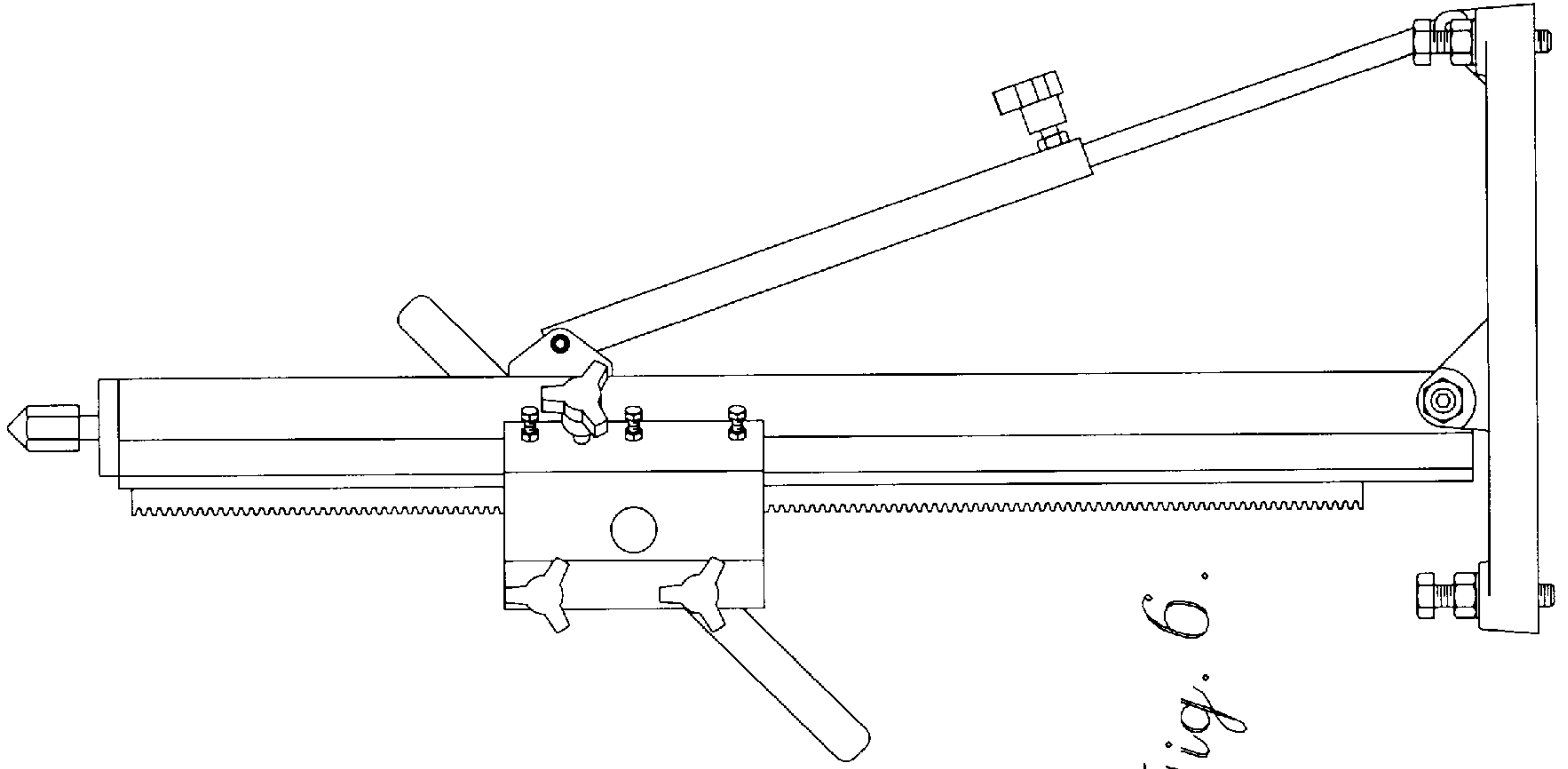


Fig. 6.

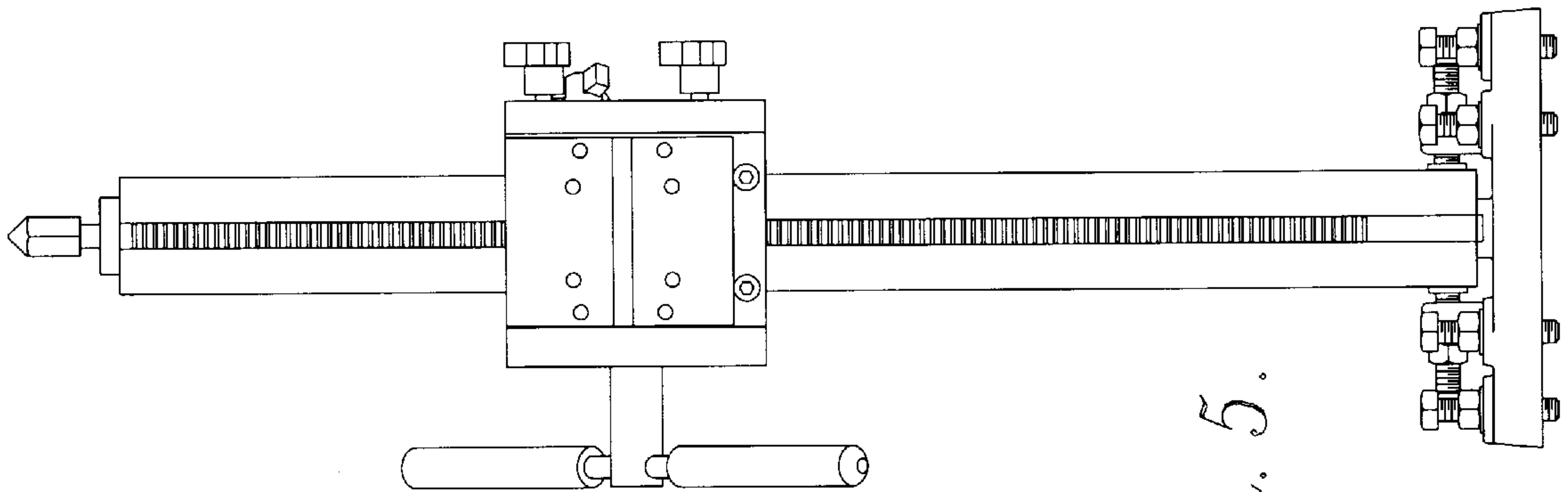


Fig. 5.

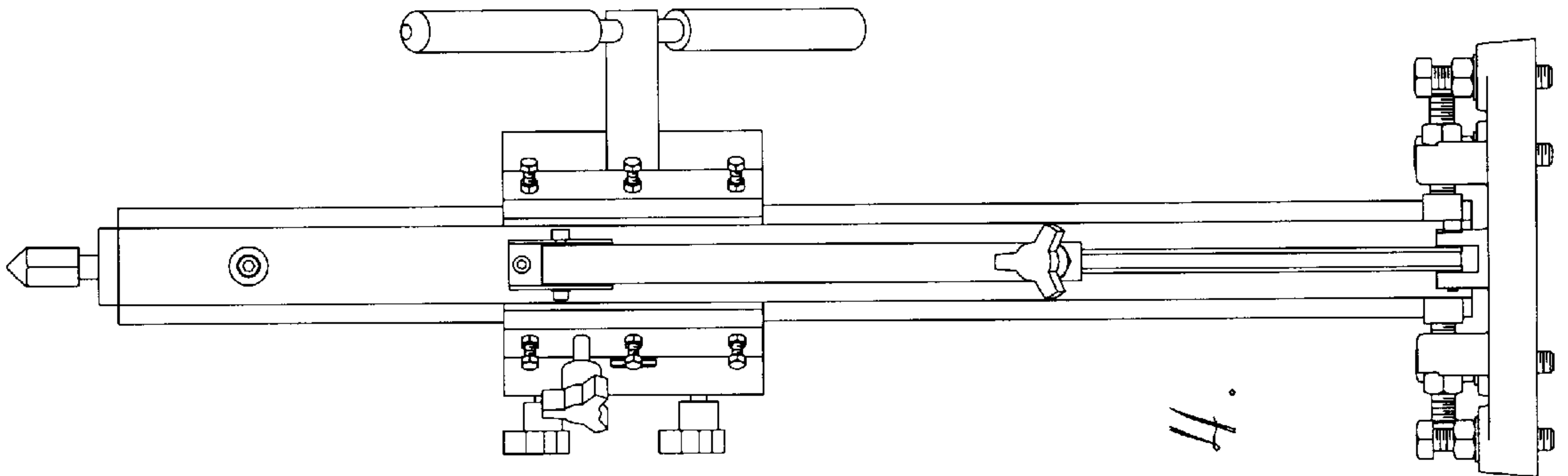


Fig. 4.