



US00D414668S

United States Patent [19]

Duennes et al.

[11] Patent Number: **Des. 414,668**

[45] Date of Patent: **** Oct. 5, 1999**

[54] **HAND-HELD ROTARY TOOL**

D. 404,626 1/1999 Hall et al. D8/68

[75] Inventors: **Mark D. Duennes**, Glenview; **William K. Szymber**, Lake in the Hills; **Al Uzum**, Vernon Hills, all of Ill.

Primary Examiner—Antoine Duval Davis
Attorney, Agent, or Firm—Leo H. McCormick, Jr.; Warren Comstock

[73] Assignee: **S-B Power Tool Company**, Chicago, Ill.

[57] CLAIM

[**] Term: **14 Years**

The ornamental design for a hand-held rotary tool, as shown and described.

[21] Appl. No.: **29/093,330**

DESCRIPTION

[22] Filed: **Sep. 9, 1998**

[51] **LOC (6) Cl.** **08-01**

FIG. 1 is a top plan view of a hand-held rotary tool showing my new design;

[52] **U.S. Cl.** **D8/68; D8/61**

FIG. 2 is a left side view elevation view thereof;

[58] **Field of Search** D8/61, 68; 15/97.1, 15/97.2, 97.3, 98-103.5, 28; 81/57.11, 57.13, 57.14, 73, 55, 177.1, 177.85, 469; 173/169, 170; 400/156, 181; 451/344, 354, 357-359, 456

FIG. 3 is a bottom plan view elevation view thereof;

FIG. 4 is a right side elevation view thereof;

FIG. 5 is a rear view taken along line 5-5 of FIG. 4; and,

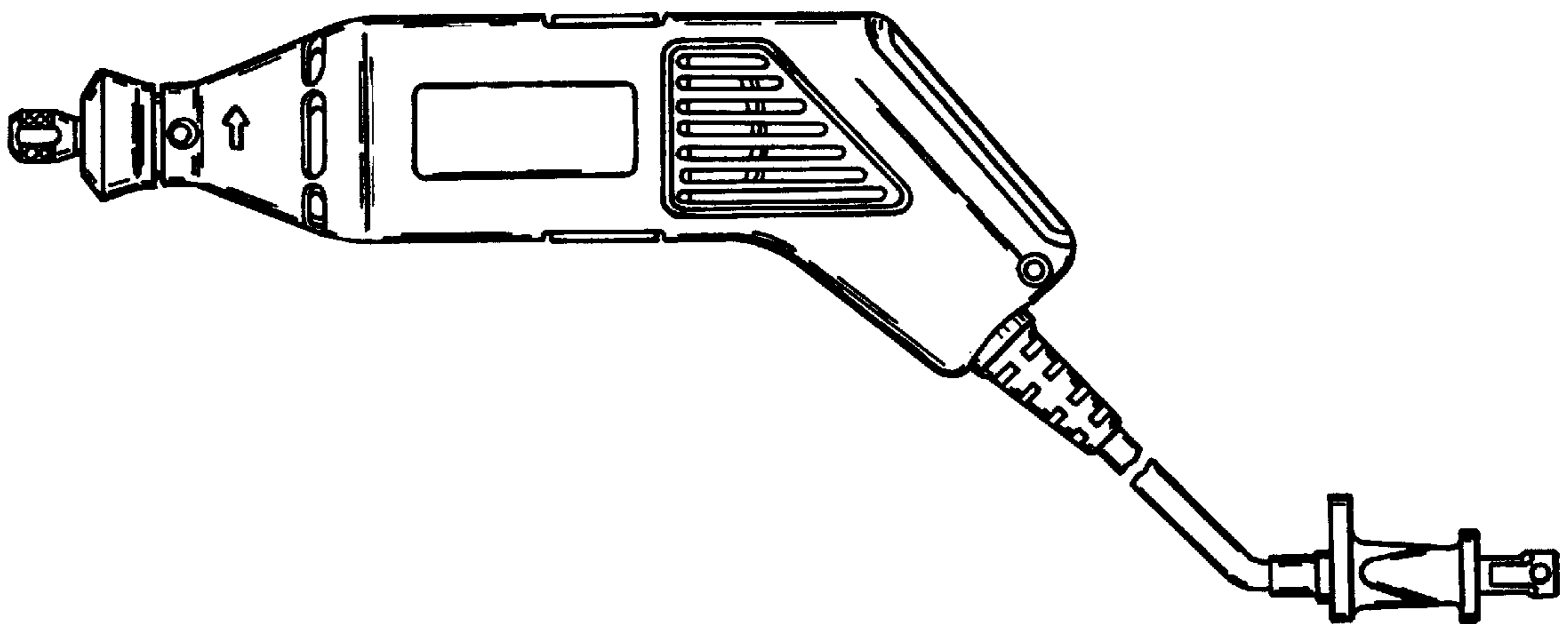
FIG. 6 is a partial front view thereof.

[56] References Cited

U.S. PATENT DOCUMENTS

D. 403,936 1/1999 Somers D8/68

1 Claim, 2 Drawing Sheets



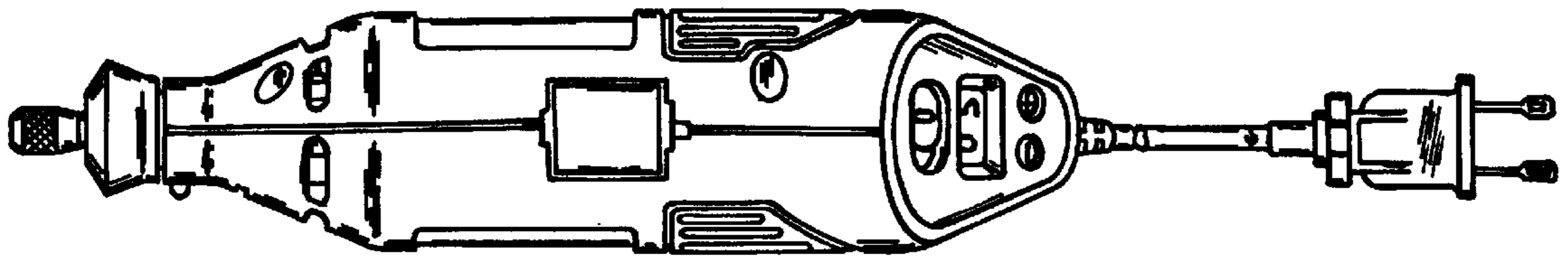


FIG. 1

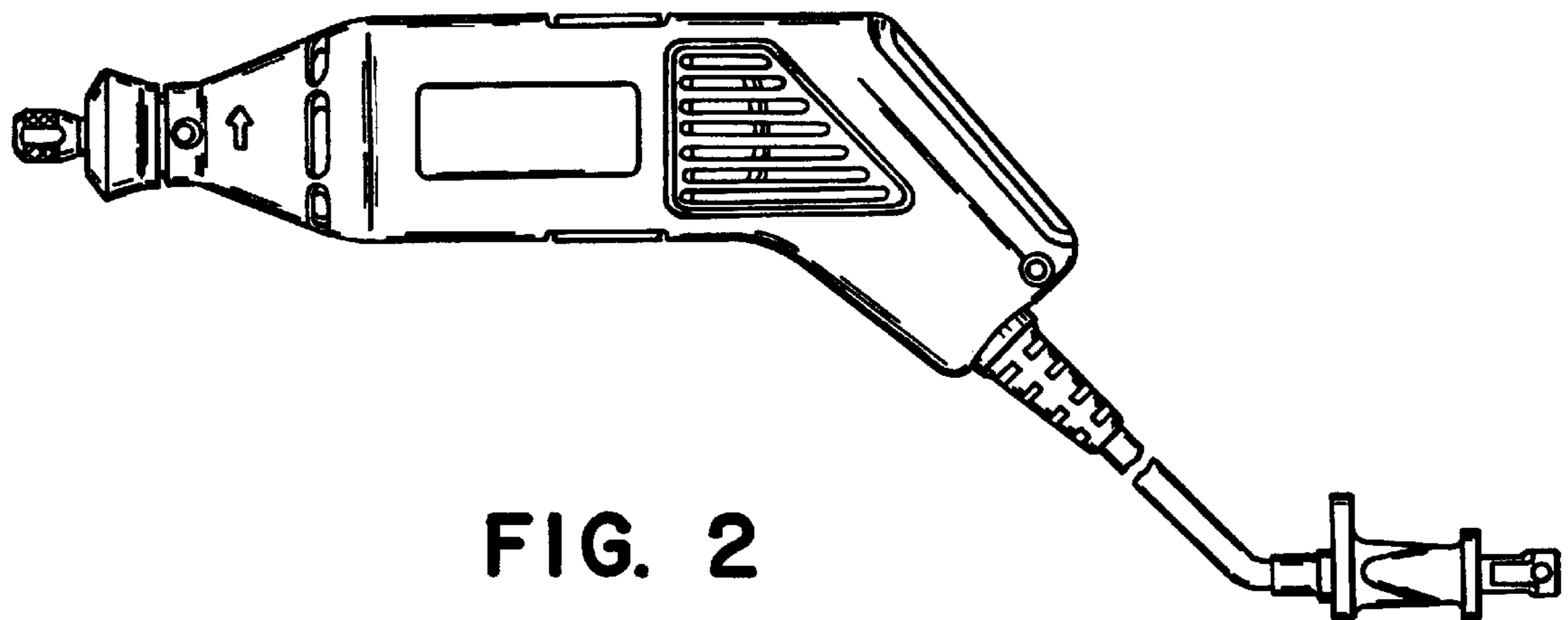


FIG. 2

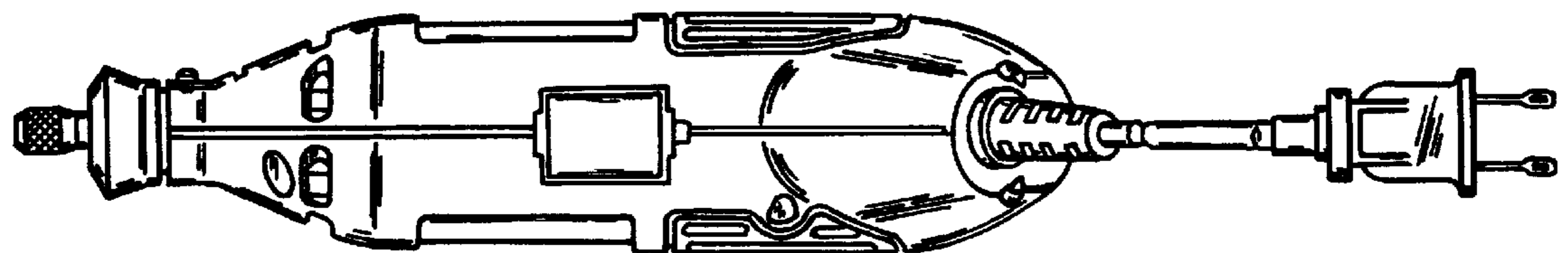


FIG. 3

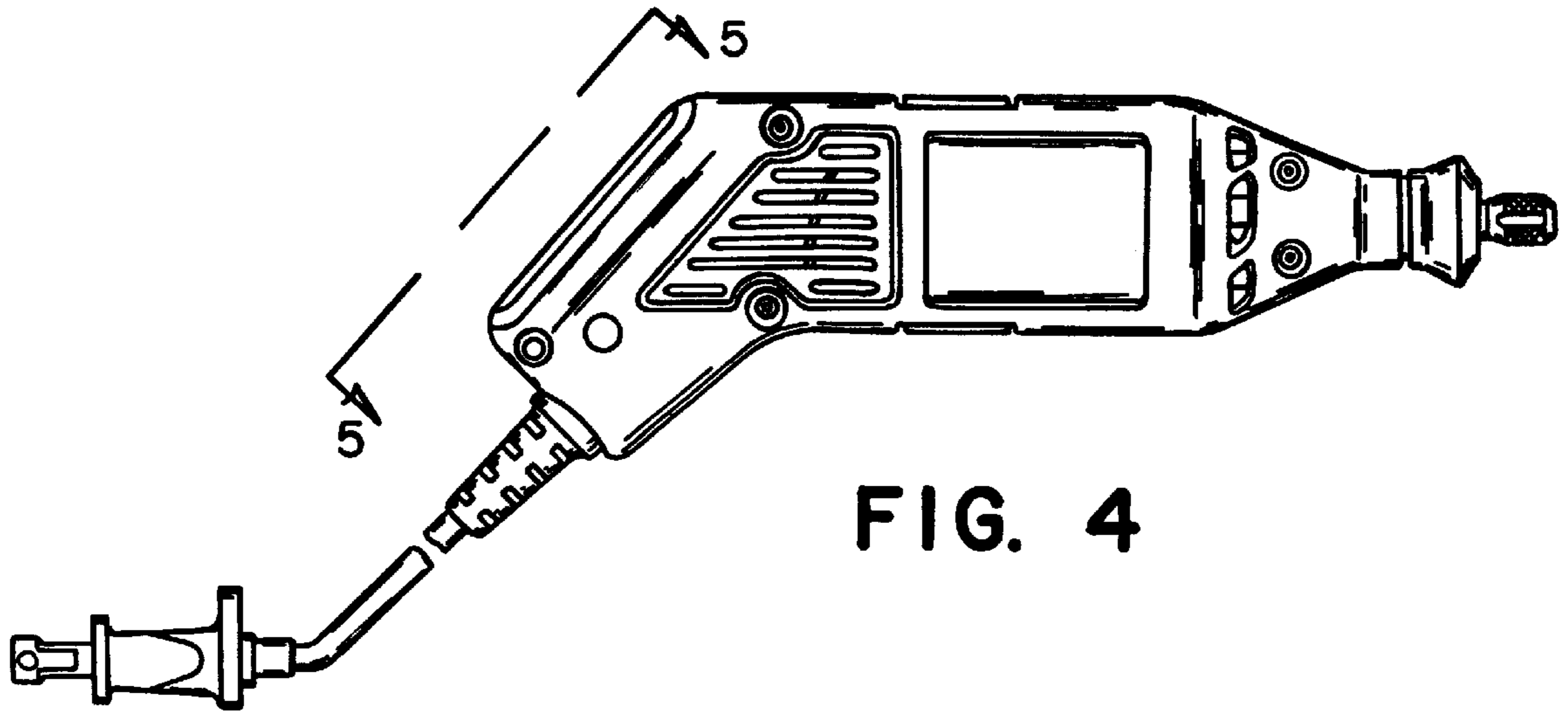


FIG. 4

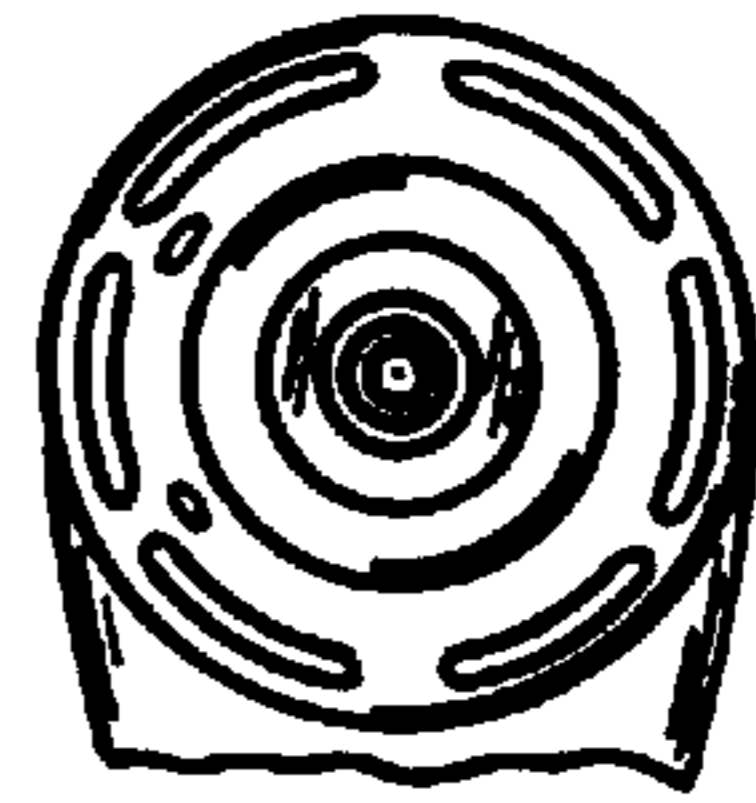


FIG. 6

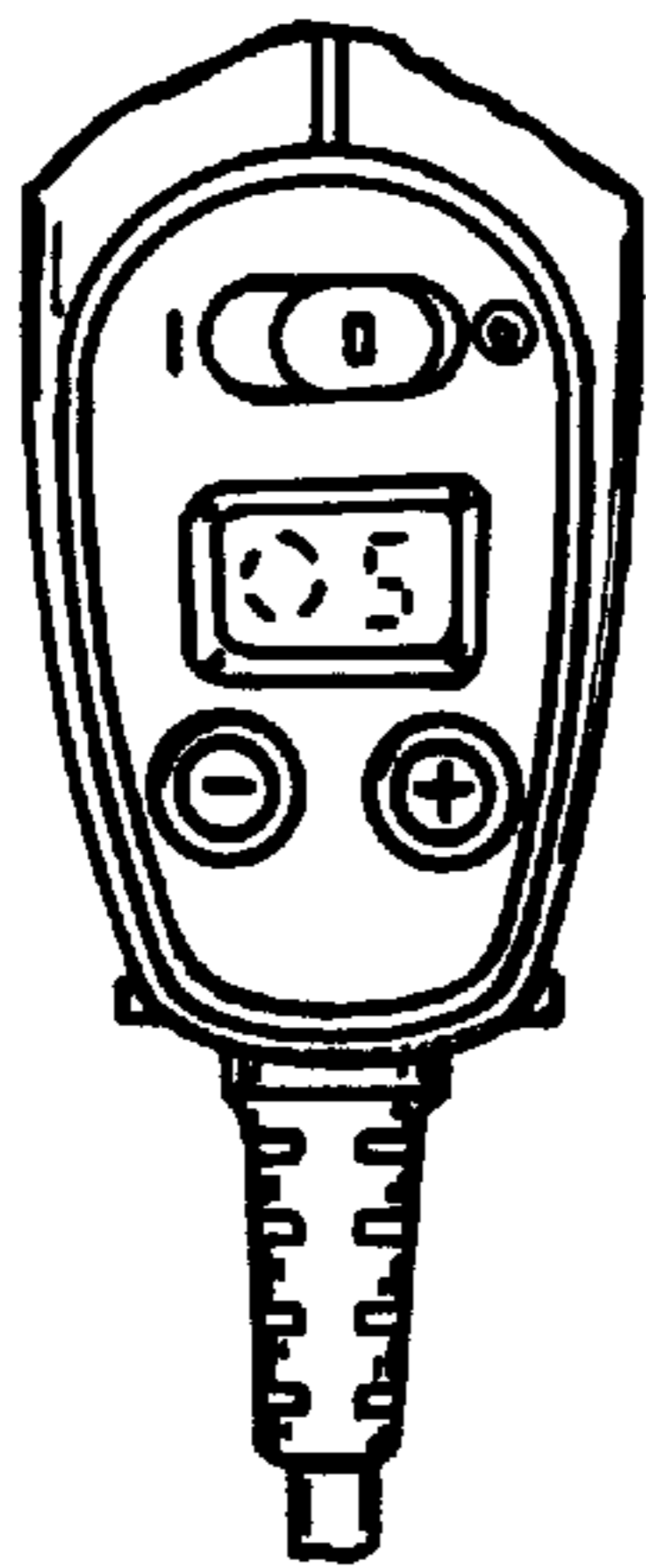


FIG. 5