



US00D414667S

# United States Patent [19]

Lee

[11] **Patent Number: Des. 414,667**

[45] **Date of Patent: \*\* Oct. 5, 1999**

[54] **CORDLESS DRILL WITH ADJUSTABLE LIGHT**

D. 402,872 12/1998 Clowers et al. .... D8/68  
D. 404,275 1/1999 Bunyea et al. .... D8/68

[75] Inventor: **Judy Lee**, Kowloon, The Hong Kong Special Administrative Region of the People's Republic of China

*Primary Examiner*—Antoine Duval Davis  
*Attorney, Agent, or Firm*—Leydig, Voit & Mayter, Ltd.

[73] Assignee: **Test Rite Products Corporation**, Bensenville, Ill.

[57] **CLAIM**

The ornamental design for a cordless drill with adjustable light, as shown.

[\*\*] Term: **14 Years**

### DESCRIPTION

[21] Appl. No.: **29/090,521**

FIG. 1 is a right side elevational view showing my new design of a cordless drill with adjustable and integral light shown wherein the light is in the closed position.

[22] Filed: **Jul. 10, 1998**

FIG. 2 is a left side elevational view thereof;

[51] **LOC (6) Cl. .... 08-01**

FIG. 3 is a front elevational view thereof;

[52] **U.S. Cl. .... D8/68**

FIG. 4 is a rear elevational view thereof;

[58] **Field of Search** ..... D8/68; 408/16, 408/124, 125; 74/371; 81/57.11, 57.13, 57.14, 57.43, 177.6, 436, 438; 178/178, 217

FIG. 5 is a top plan view thereof,

FIG. 6 is a bottom plan view thereof;

FIG. 7 is a right side elevational view of the cordless drill with adjustable light in an open position;

FIG. 8 is a left elevational view thereof;

FIG. 9 is a front elevational view thereof the adjustable light hood has been removed for ease of illustration;

FIG. 10 is a rear elevational view thereof; and,

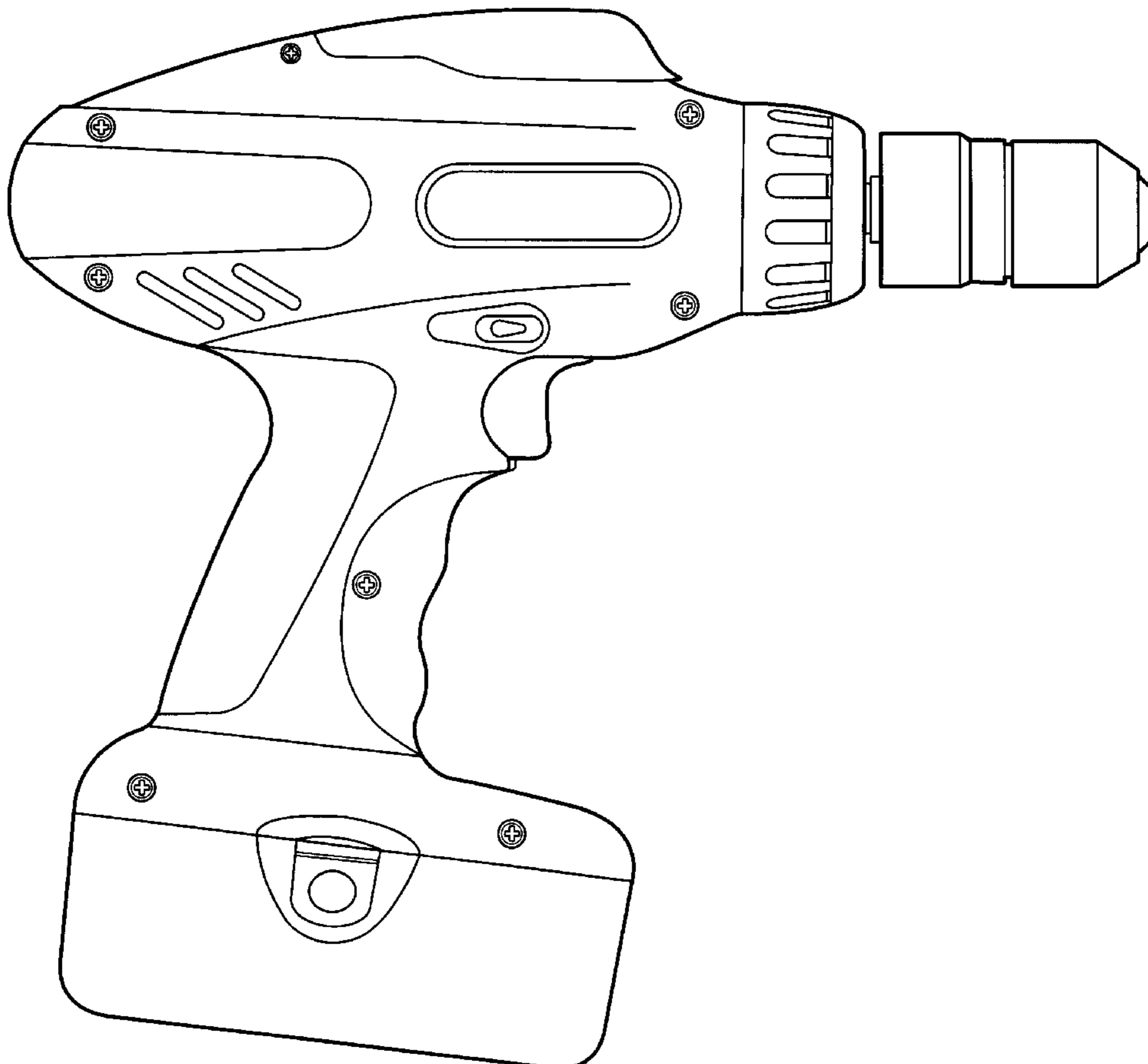
FIG. 11 is a top plan view thereof.

### [56] **References Cited**

#### U.S. PATENT DOCUMENTS

D. 380,952 7/1997 Kim ..... D8/68  
D. 382,457 8/1997 Ghode et al. .... D8/68  
D. 392,530 3/1998 Lui ..... D8/68

**1 Claim, 9 Drawing Sheets**



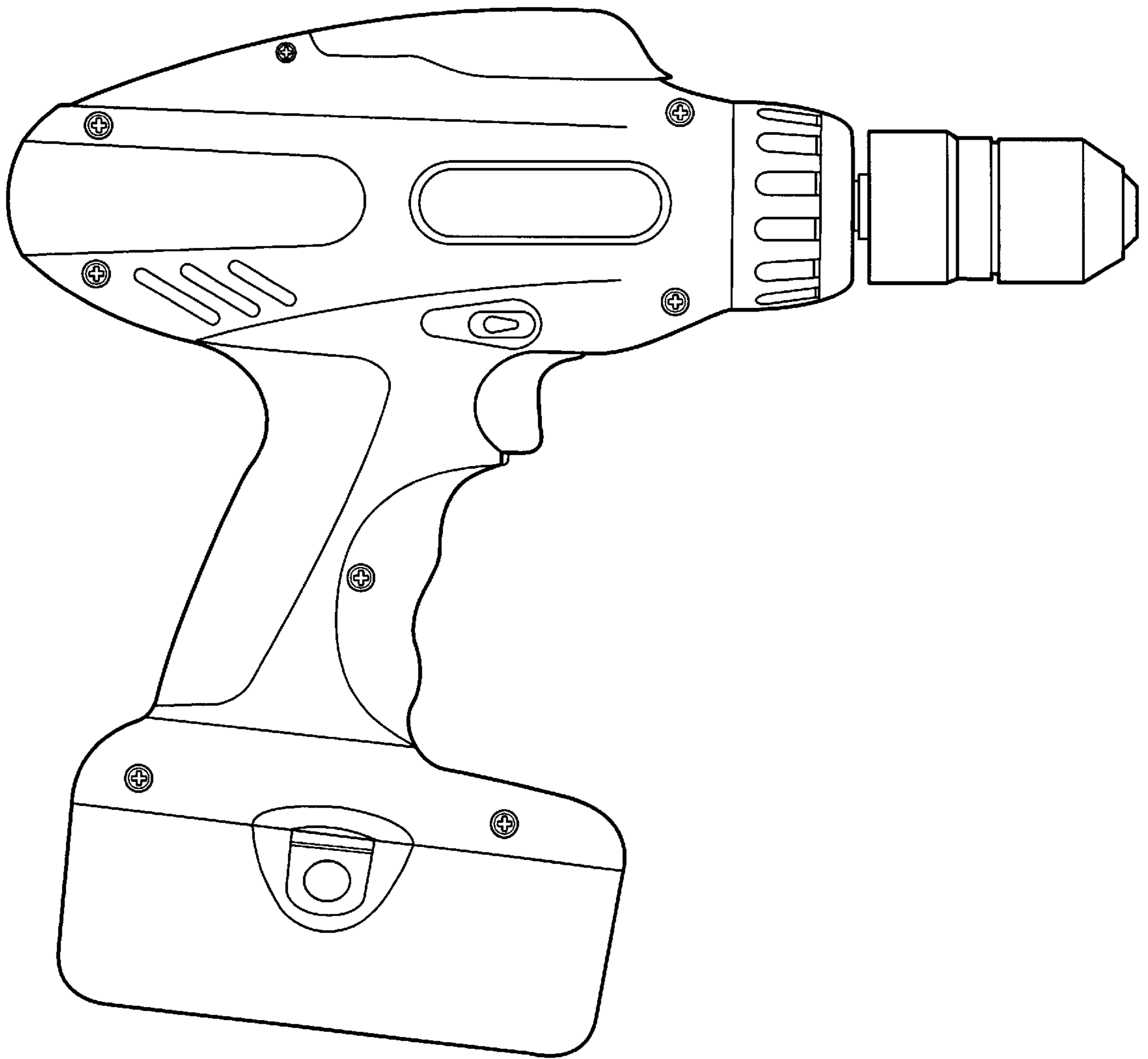


FIG. 1

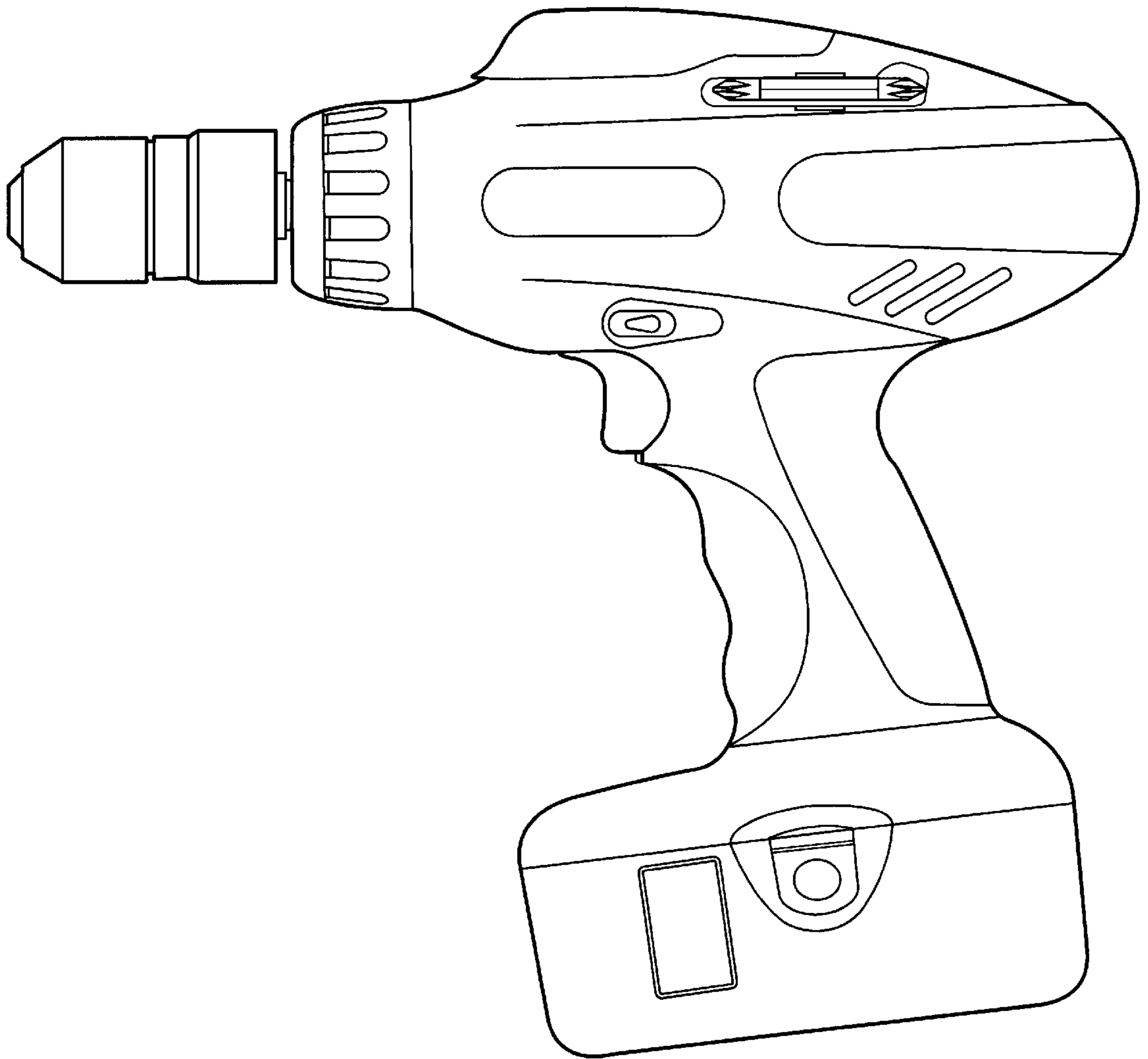
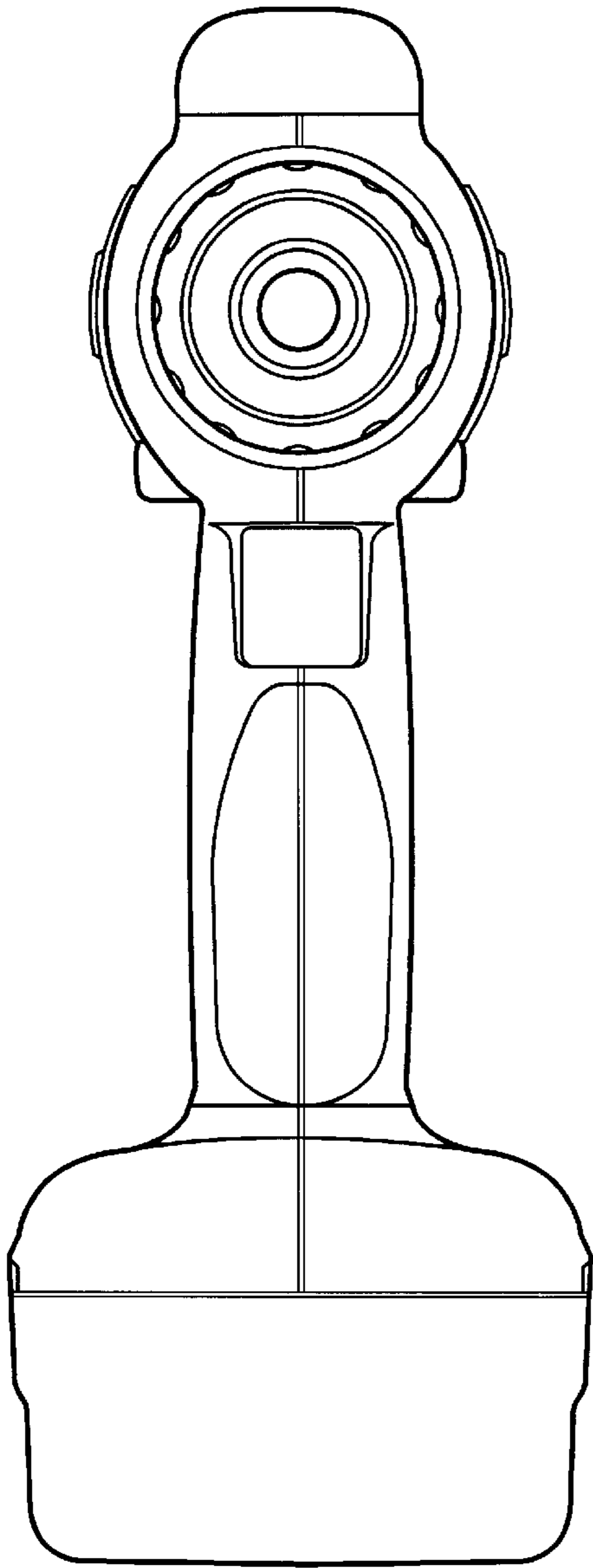
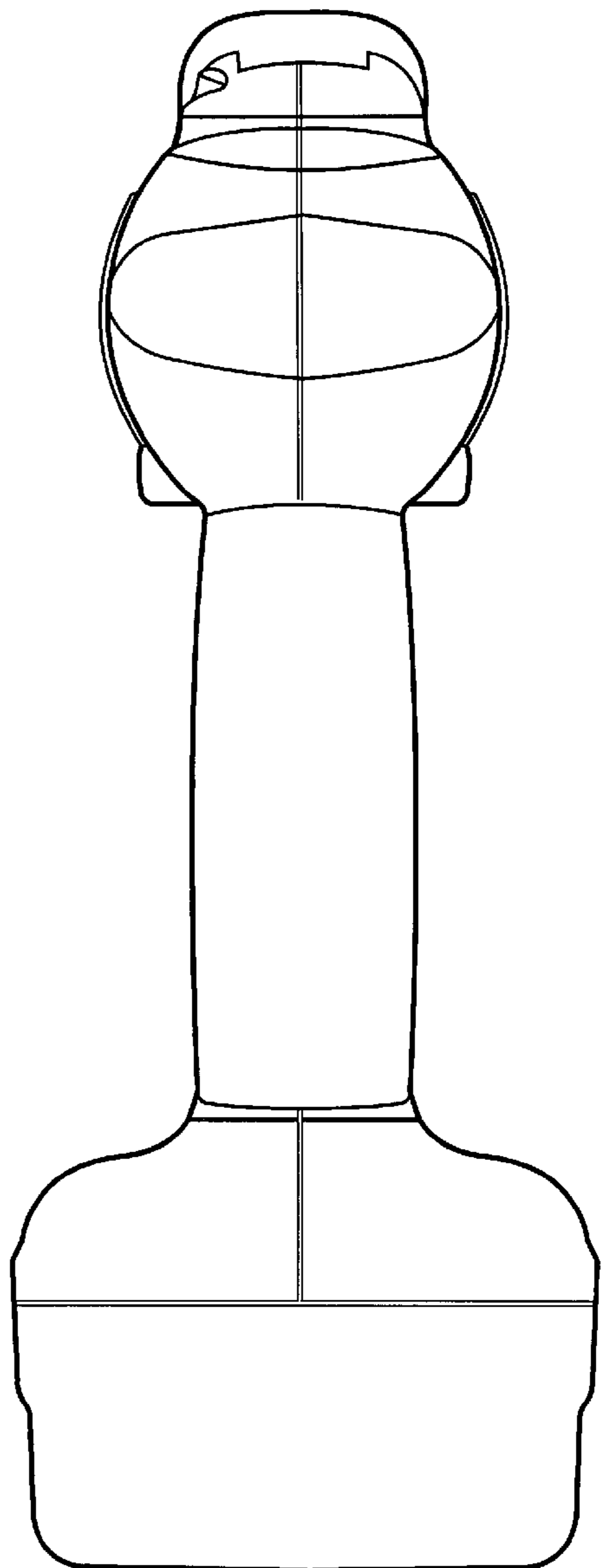


FIG. 2



**FIG. 3**



**FIG. 4**

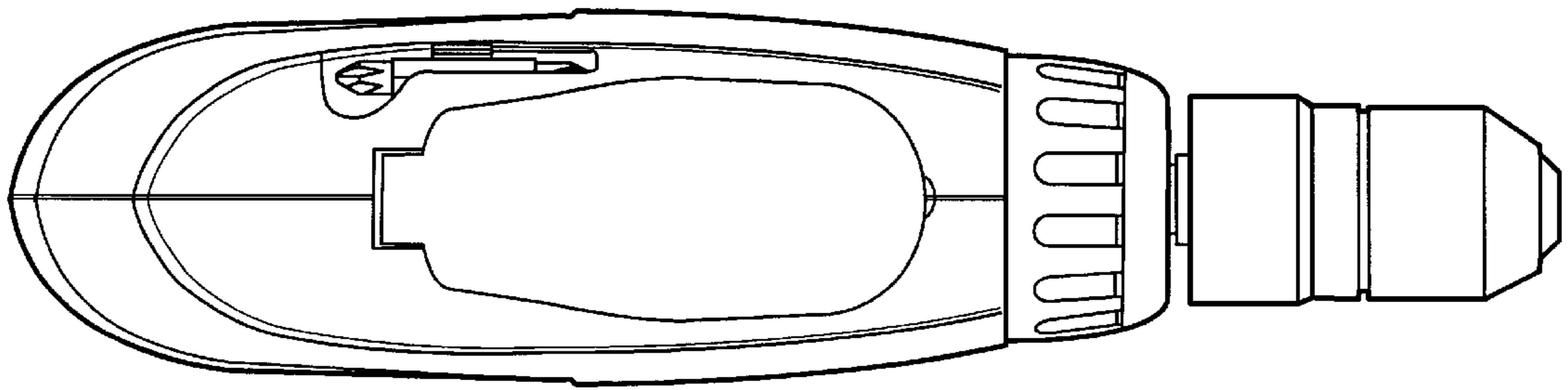


FIG. 5

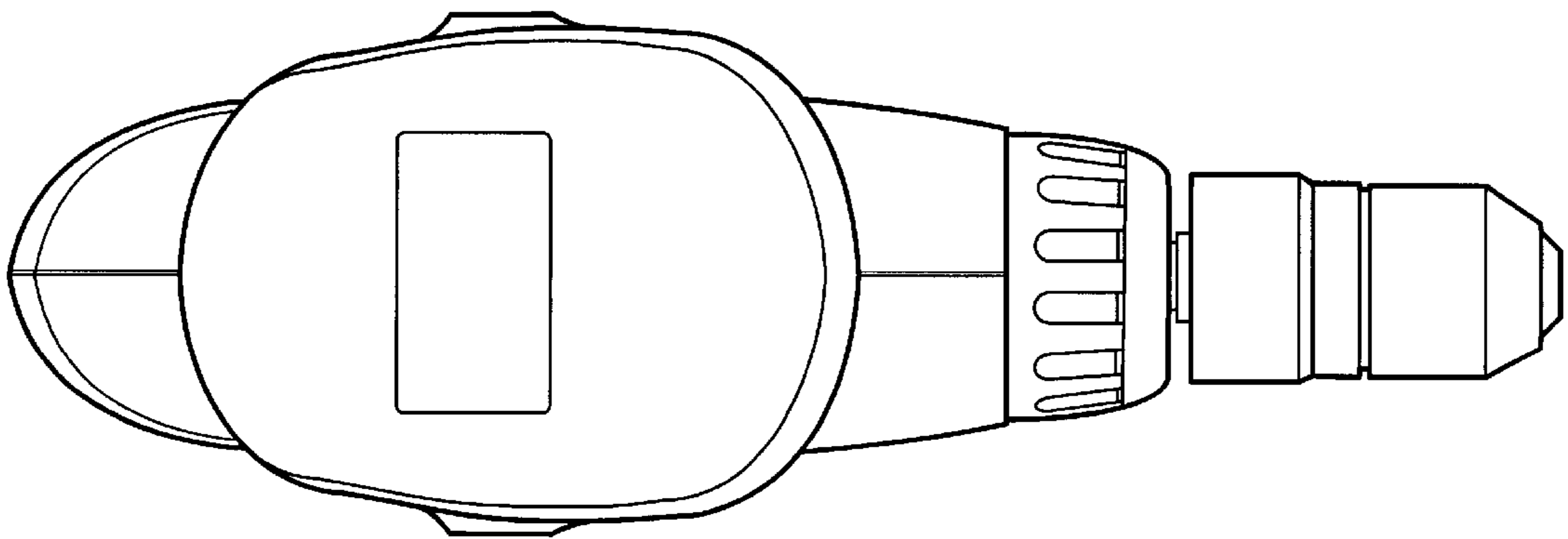


FIG. 6

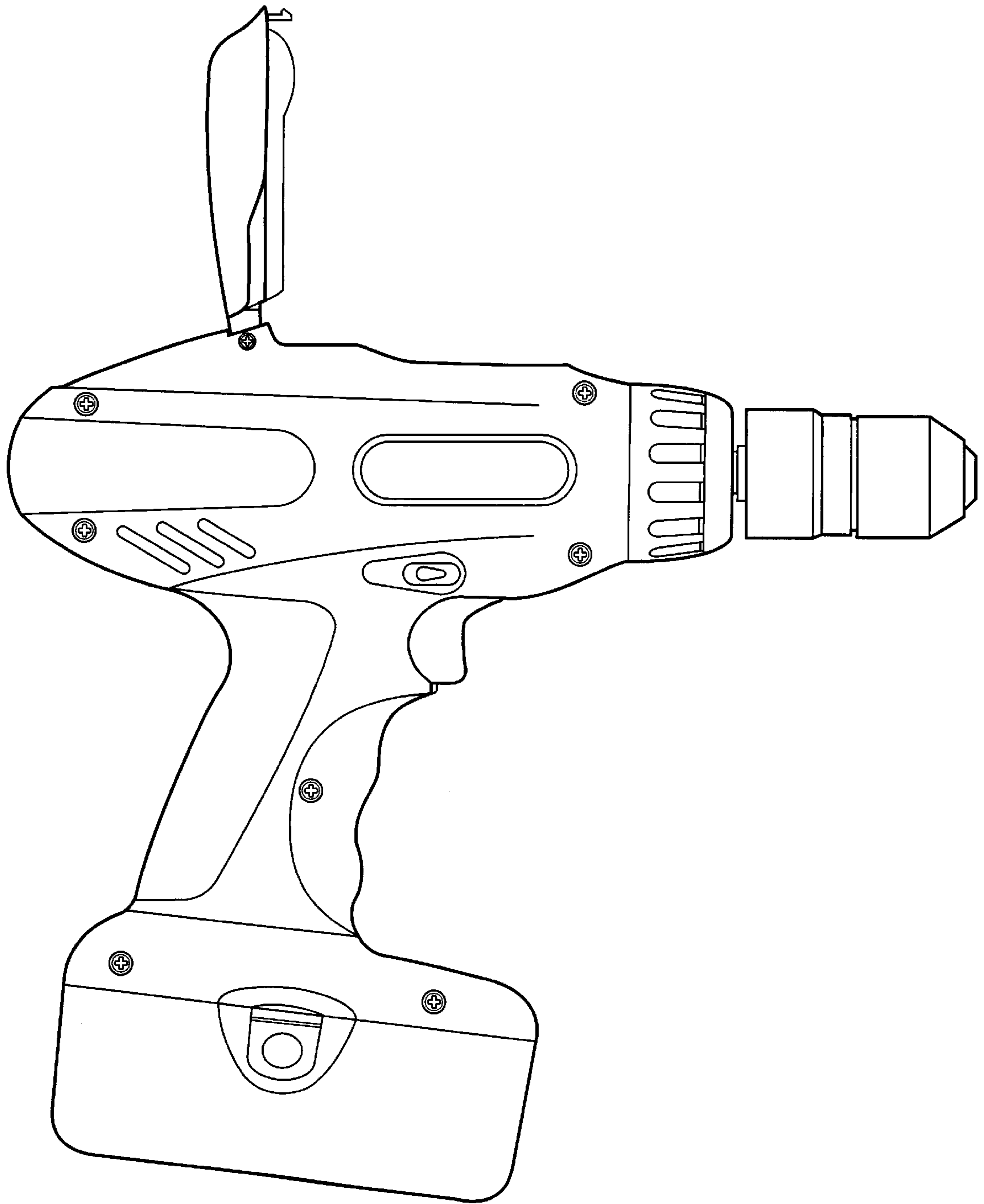


FIG. 7

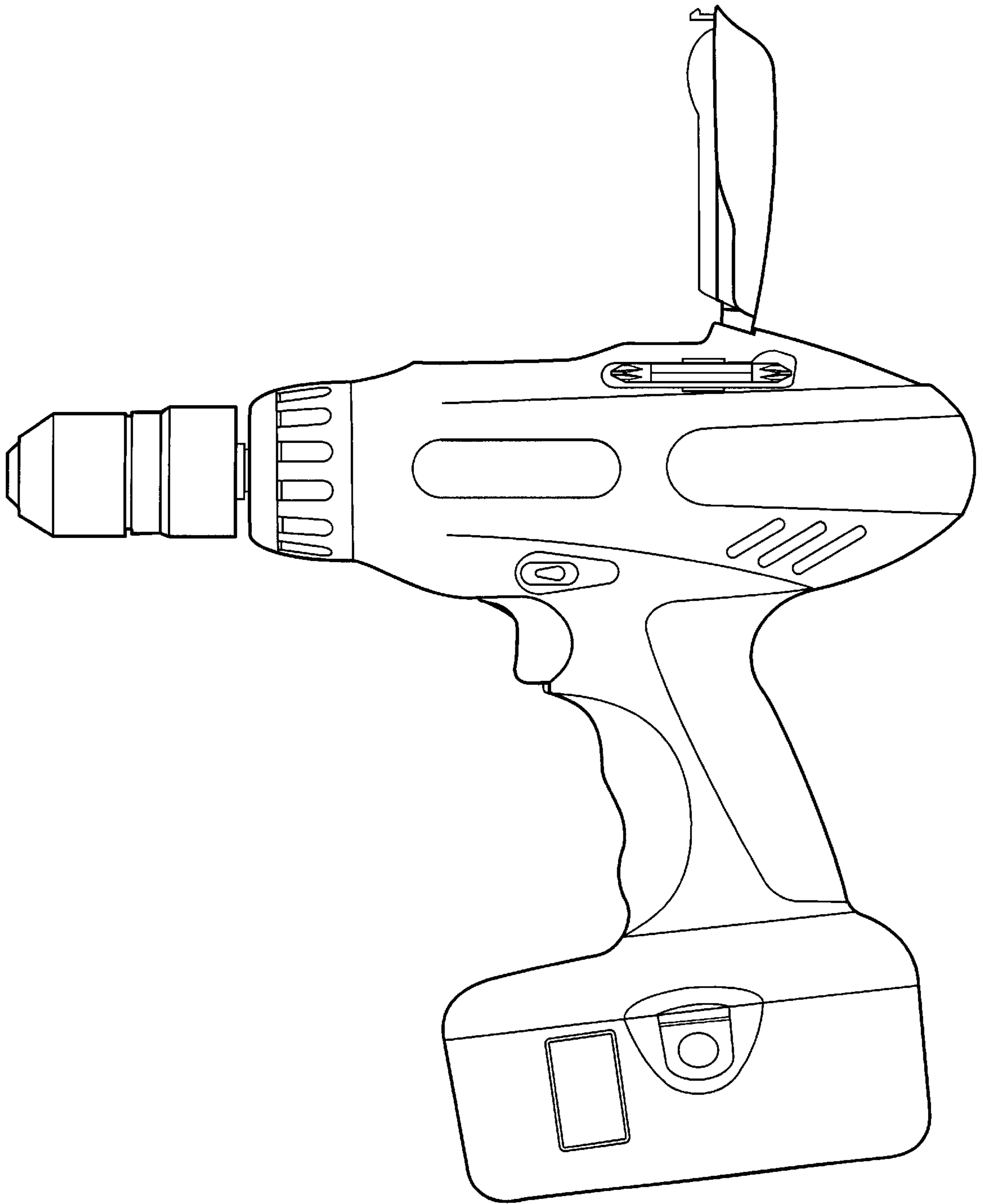


FIG. 8

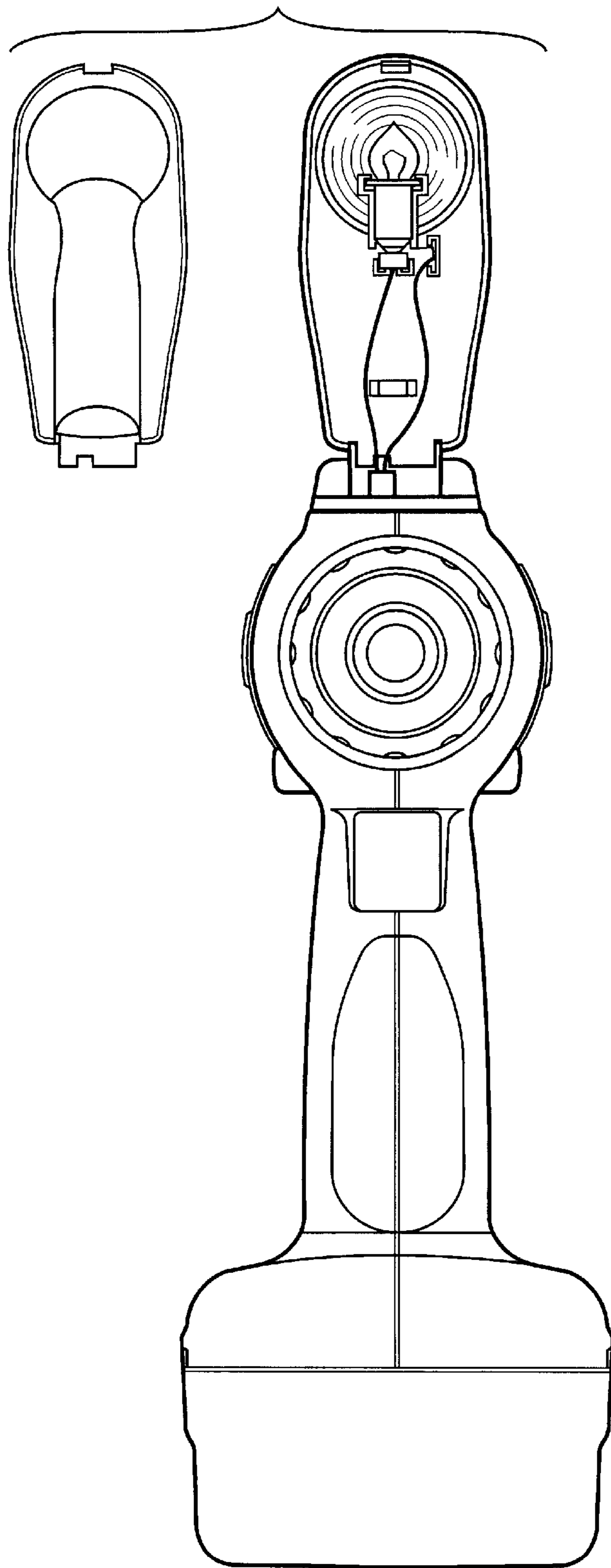
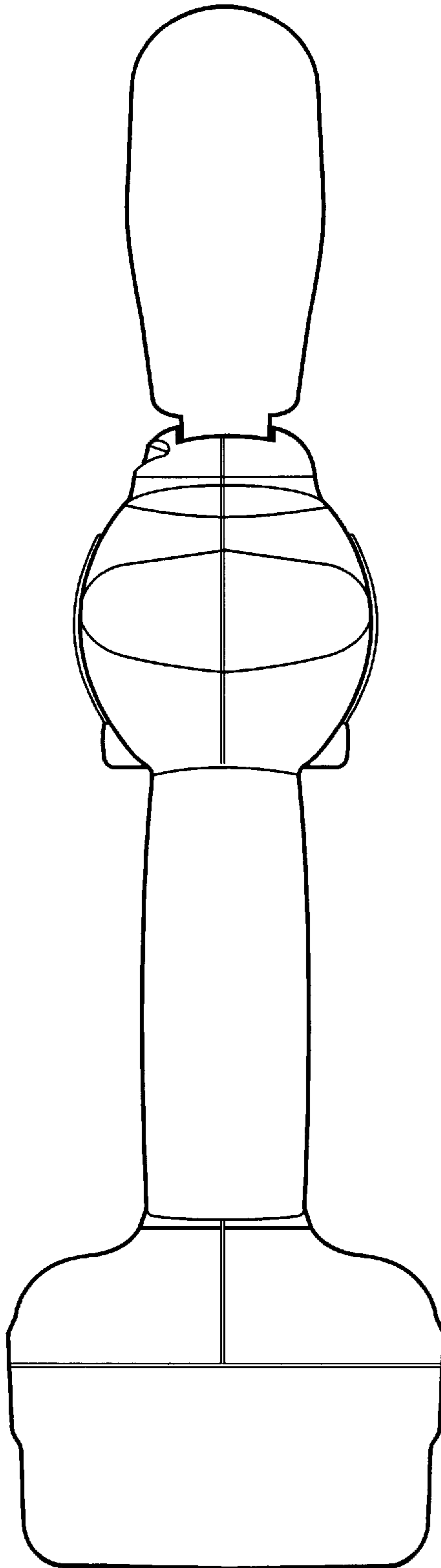


FIG. 9





**FIG. 10**

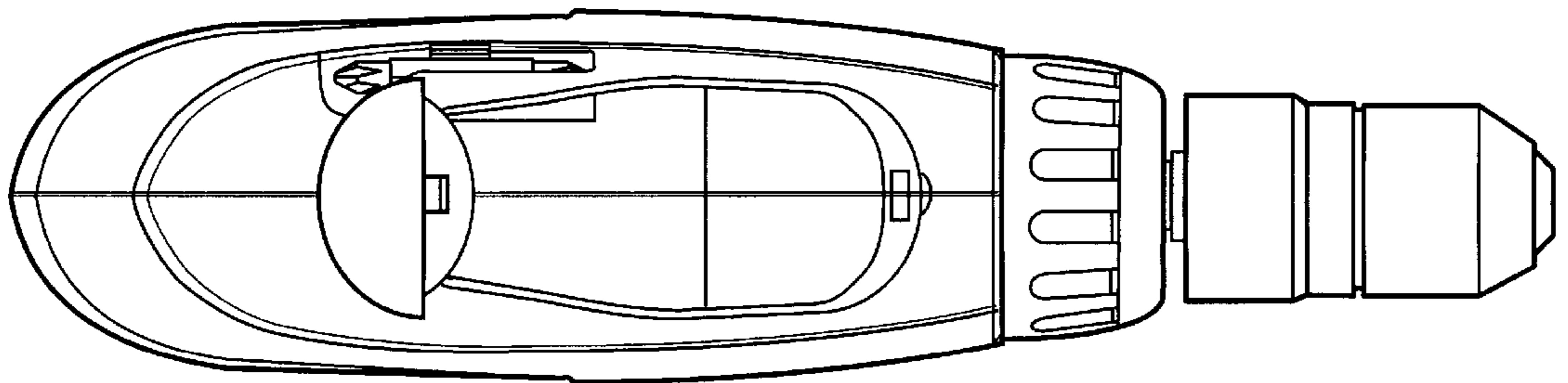


FIG. 11