



US00D414666S

# United States Patent [19] Cortes

[11] **Patent Number: Des. 414,666**

[45] **Date of Patent: \*\* Oct. 5, 1999**

[54] **POWER WAXER**

[75] Inventor: **Raul Cortes**, Bolingbrook, Ill.

[73] Assignee: **Waxing Corporation of America, Inc.**,  
Elmhurst, Ill.

[\*\*] Term: **14 Years**

[21] Appl. No.: **29/090,608**

[22] Filed: **Jul. 13, 1998**

[51] **LOC (6) Cl.** ..... **08-01**

[52] **U.S. Cl.** ..... **D8/62**

[58] **Field of Search** ..... D8/62; 451/357,  
451/358, 359, 356, 355

[56] **References Cited**

**U.S. PATENT DOCUMENTS**

D. 273,173	3/1984	Poon	.....	D8/62
D. 329,362	9/1992	Saito et al.	.....	D8/62
D. 380,950	7/1997	Gildersleeve et al.	.....	D8/62
5,839,948	11/1998	Kronberg	.....	451/359 X

*Primary Examiner*—Antoine Duval Davis  
*Attorney, Agent, or Firm*—Fitch, Even, Tabin & Flannery

[57] **CLAIM**

The ornamental design for a power waxer, as shown and described.

**DESCRIPTION**

FIG. 1 is a perspective view of the power waxer according to my new design;

FIG. 2 is a right side elevational view of the power waxer of FIG. 1;

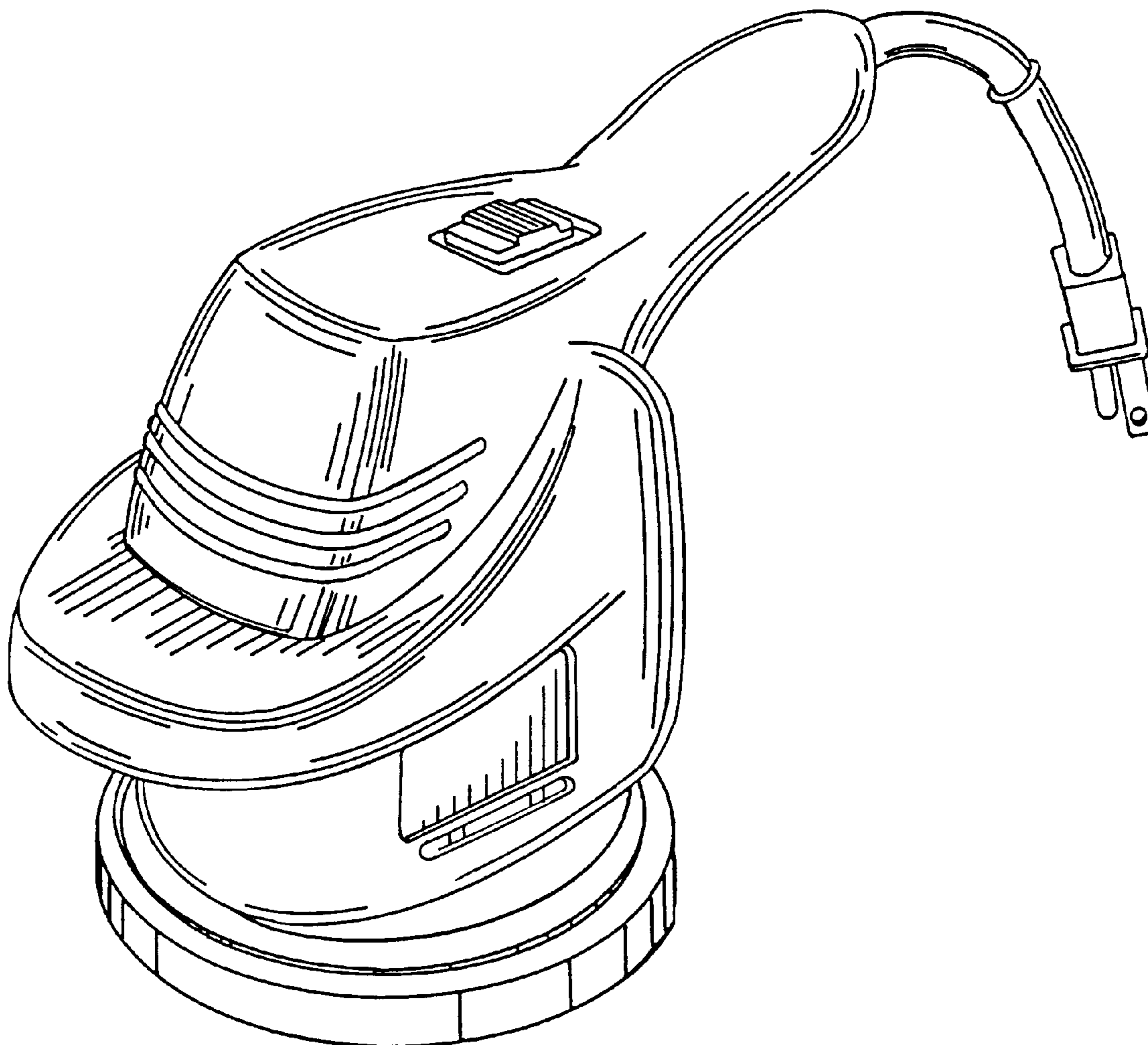
FIG. 3 is a top plan view of the power waxer of FIG. 1; and  
FIG. 4 is a left side elevational view of the power waxer of FIG. 1;

FIG. 5 is a bottom plan view of the power waxer of FIG. 1.

FIG. 6 is a front elevational view of the power waxer of FIG. 1; and,

FIG. 7 is a rear elevational view of the power waxer of FIG. 1.

**1 Claim, 3 Drawing Sheets**



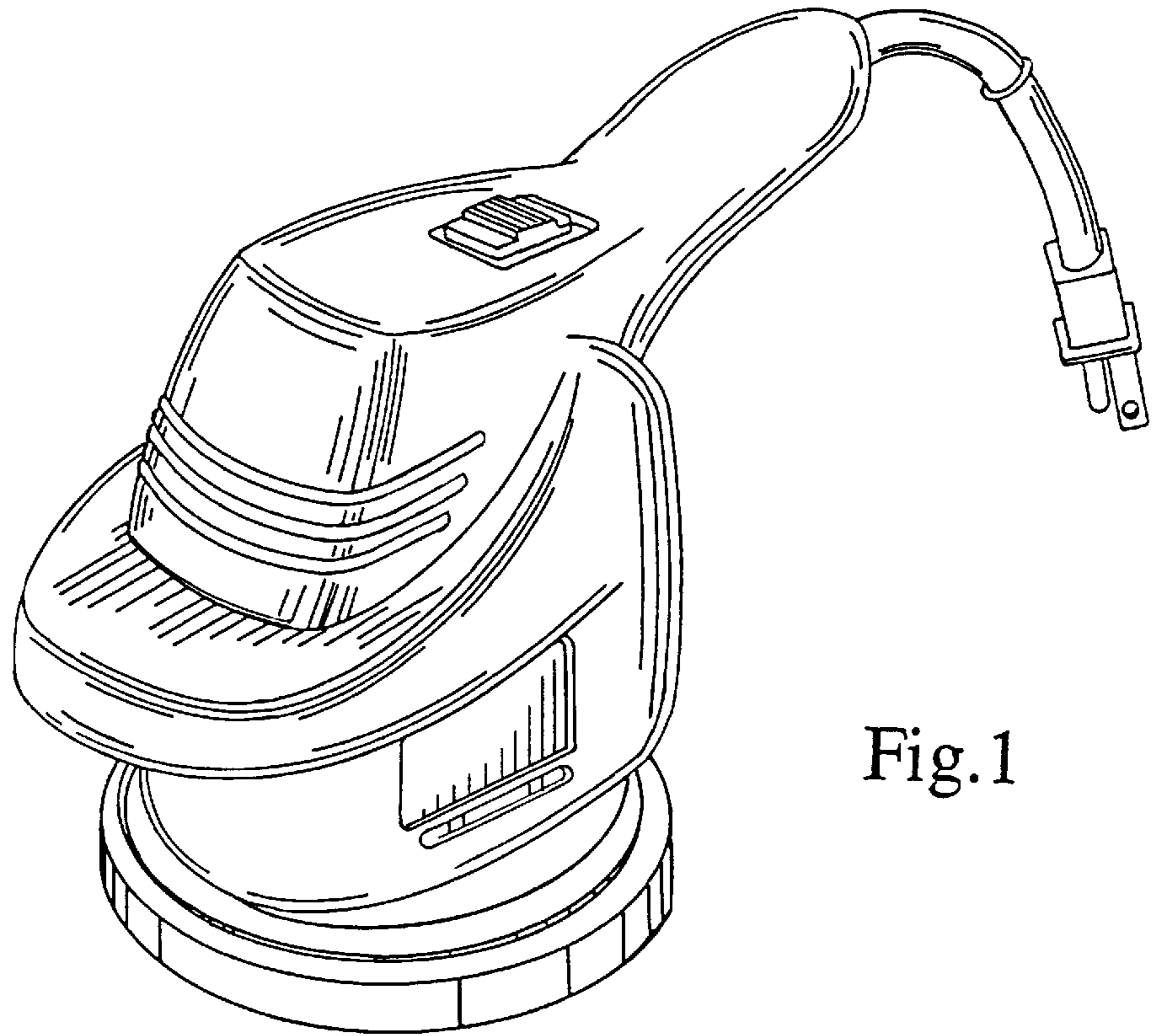


Fig. 1

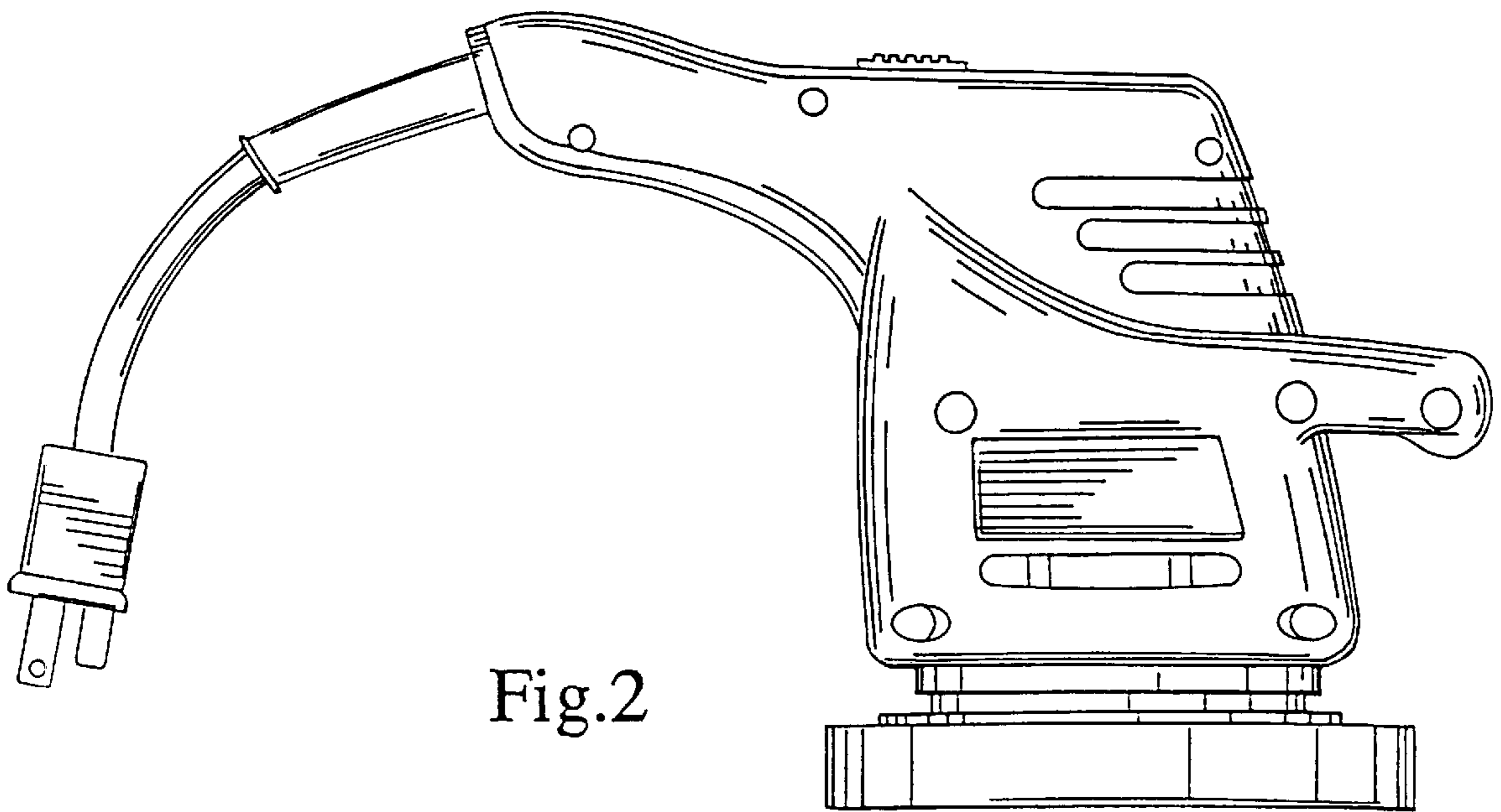


Fig. 2

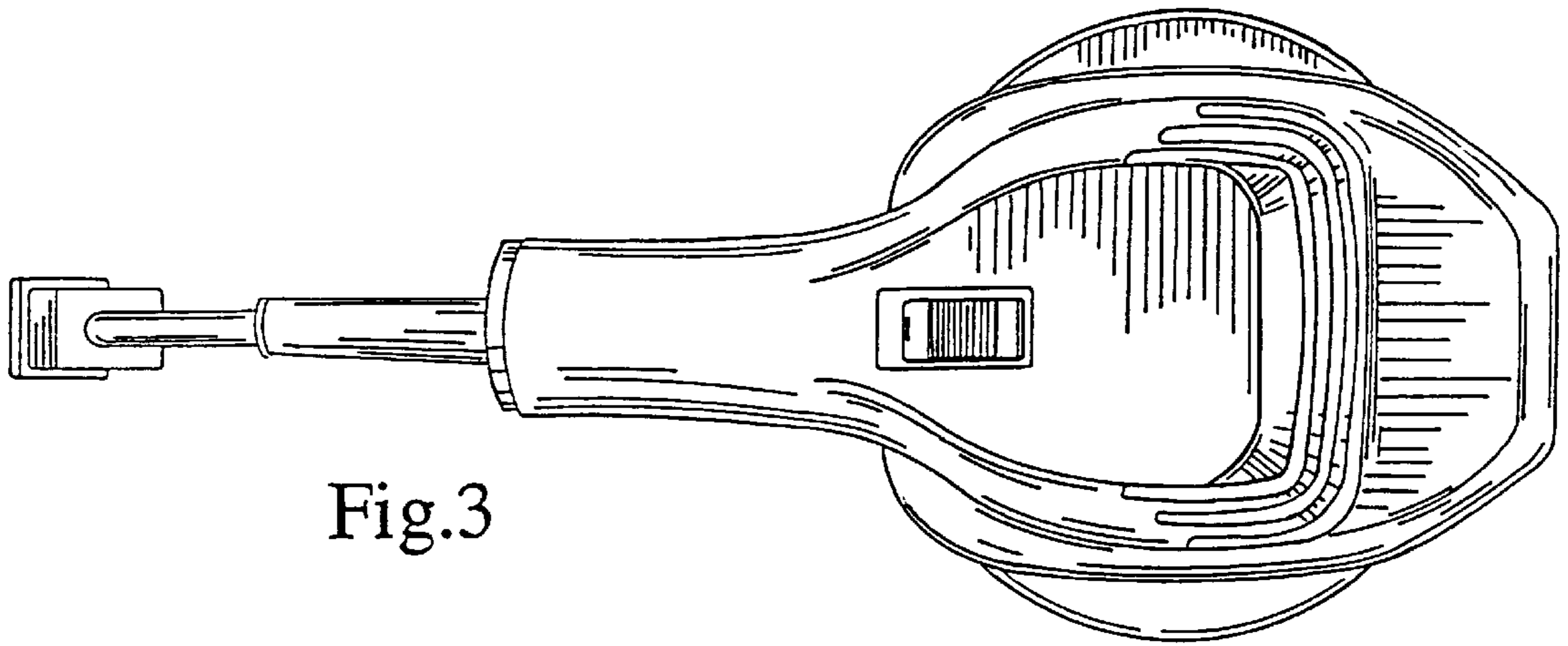


Fig.3

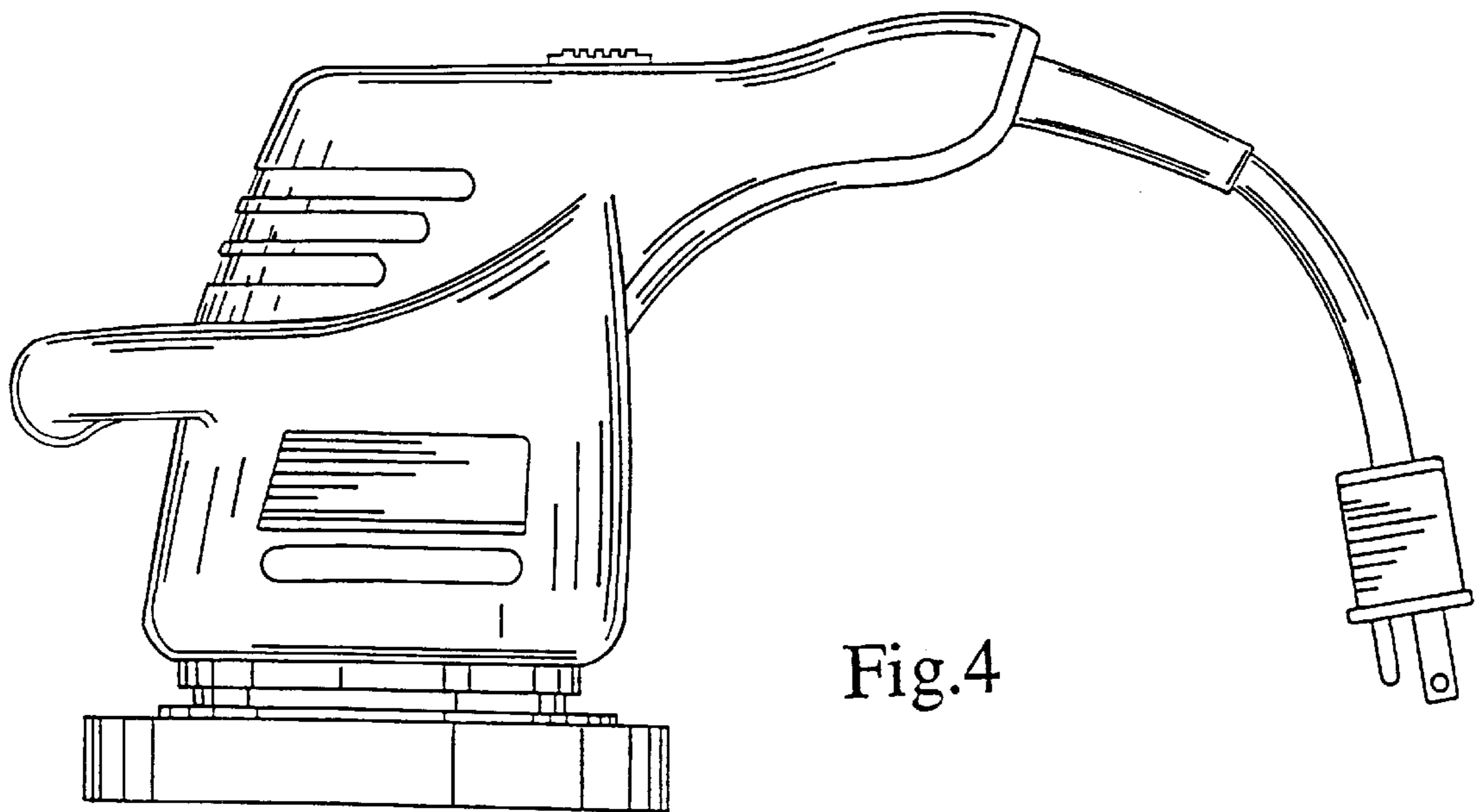


Fig.4

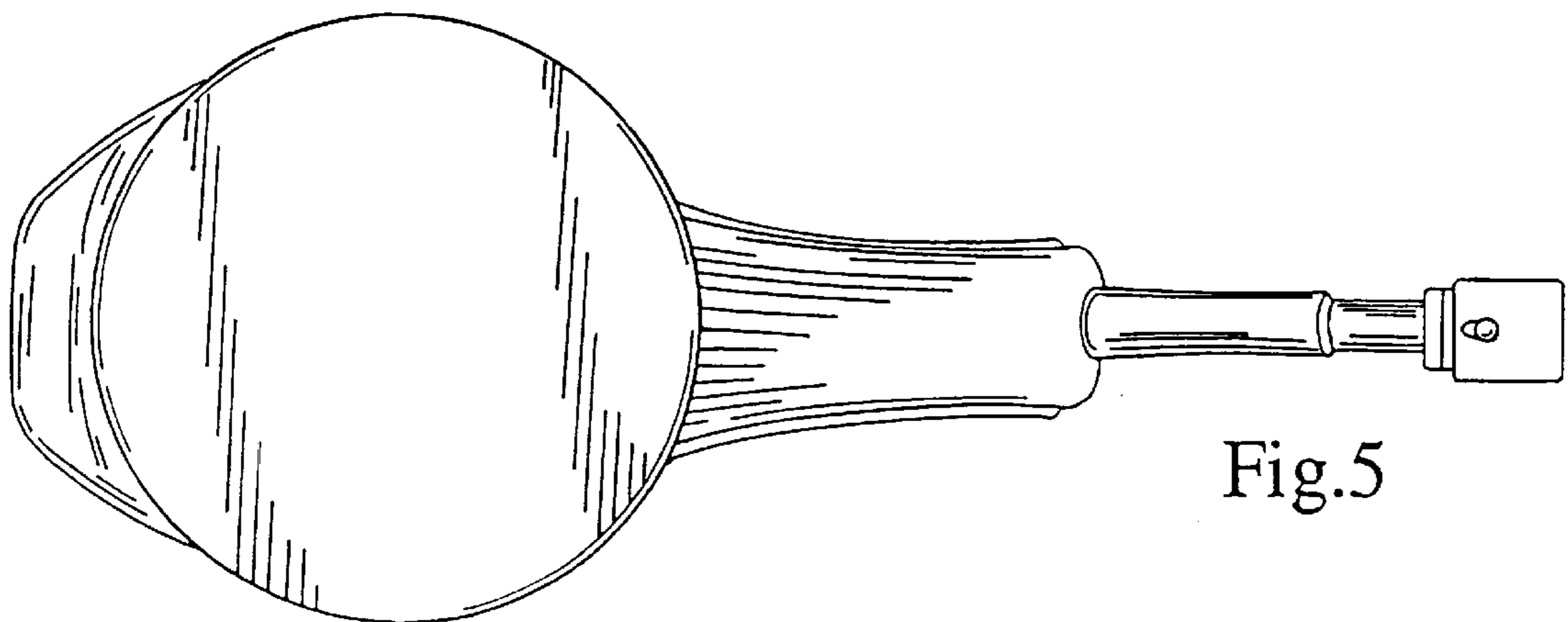


Fig.5

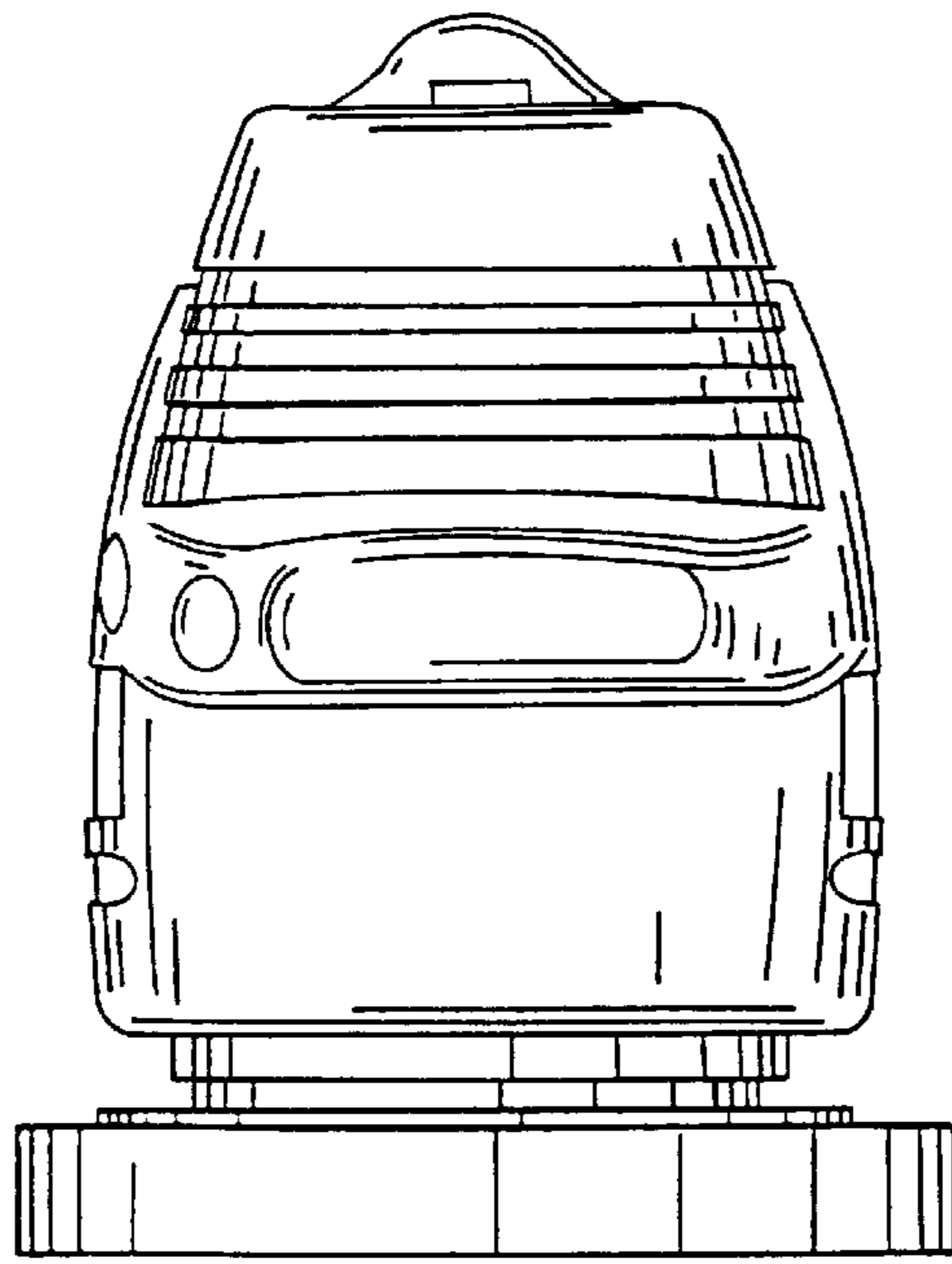


Fig.6

Fig.7

