



US00D414665S

United States Patent [19] Longo

[11] Patent Number: **Des. 414,665**

[45] Date of Patent: **** Oct. 5, 1999**

[54] CAULKING TUBE NOZZLE CUTTER

[76] Inventor: **William J. Longo**, 8 Golf View La.,
Greenville, S.C. 29609

[**] Term: **14 Years**

[21] Appl. No.: **29/090,737**

[22] Filed: **Jul. 15, 1998**

[51] LOC (6) Cl. **08-03**

[52] U.S. Cl. **D8/60**

[58] Field of Search D8/14, 14.1, 51,
D8/60, 98; D27/195; 7/157; 30/1.5, 91.2,
92, 109, 112, 115, 153, 156, 272.1, 94

[56] References Cited

U.S. PATENT DOCUMENTS

D. 46,053	7/1914	Kaufman	D8/51
D. 244,390	5/1977	Zimmermann	D8/98
1,727,443	9/1929	Pohlig .	
1,969,752	8/1934	Holtzman	30/10
2,292,729	8/1942	Woodward	81/9.5
2,508,696	5/1950	Thompson	30/94
2,523,575	9/1950	Kassel	30/156
3,073,195	1/1963	Koster	83/191
3,105,614	10/1963	Sherbondy	222/82
3,807,046	4/1974	Igyarto et al.	30/92
3,911,577	10/1975	Nickel	30/241
4,158,914	6/1979	Kurtz	30/359
4,348,832	9/1982	Hauser	47/1 R
4,493,437	1/1985	Breeden	222/82
4,597,179	7/1986	Goforth	30/233

4,837,931	6/1989	Beerman	30/92
4,928,424	5/1990	Campanelli	47/1.01
5,079,838	1/1992	Stallings, Jr.	30/1.5
5,303,721	4/1994	Bowen et al.	30/109
5,815,925	10/1998	Chang	30/92

FOREIGN PATENT DOCUMENTS

887711 8/1953 Germany .

Primary Examiner—Alan P. Douglas

Assistant Examiner—Reid Hecker

Attorney, Agent, or Firm—Leatherwood Walker Todd &
Mann, P.C.

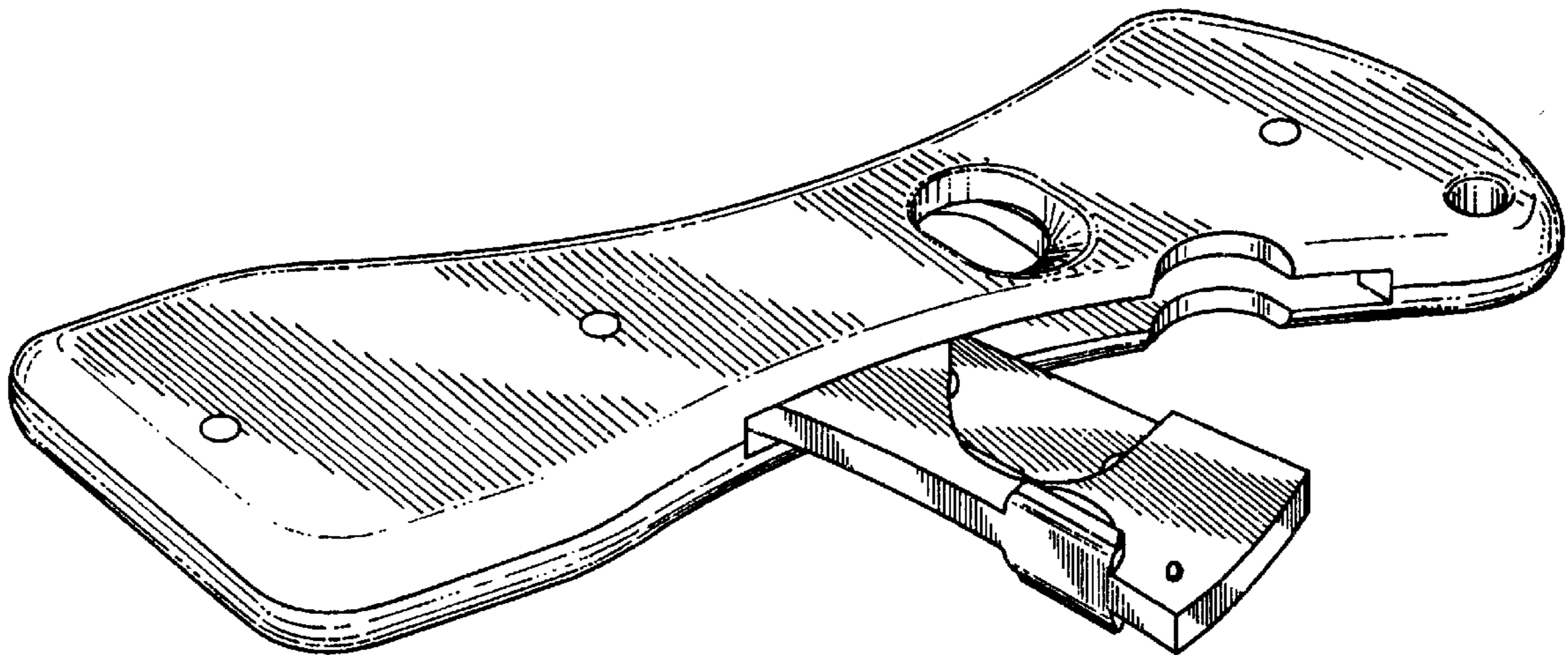
[57] CLAIM

The ornamental design for a caulking tube nozzle cutter, as shown and described.

DESCRIPTION

FIG. 1 is a left side elevational view of a caulking tube nozzle cutter showing my new design; FIG. 2 is a plan view thereof; FIG. 3 is a right side elevational view thereof; FIG. 4 is a bottom plan view thereof; FIG. 5 is a rear elevational view thereof; FIG. 6 is a front elevational view thereof; FIG. 7 is a perspective view thereof; and, FIG. 8 is a perspective view thereof illustrating a cutting blade of my caulking tube nozzle cutter in an extended position.

1 Claim, 3 Drawing Sheets



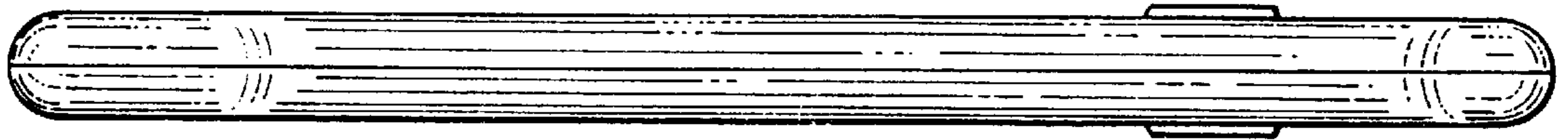


Fig. 1

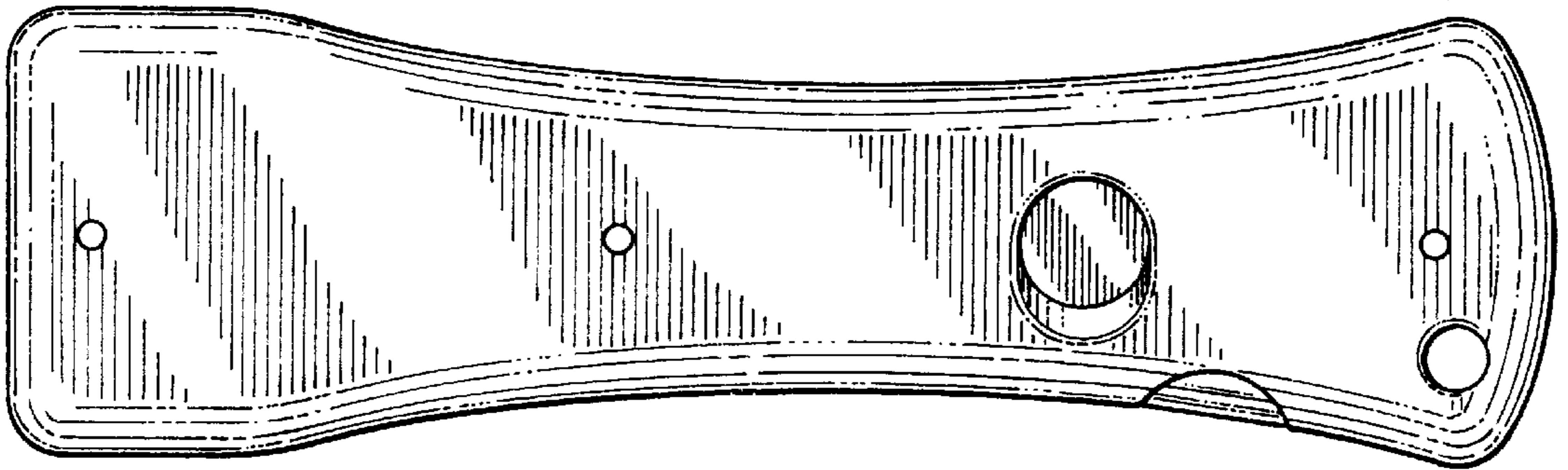


Fig. 2

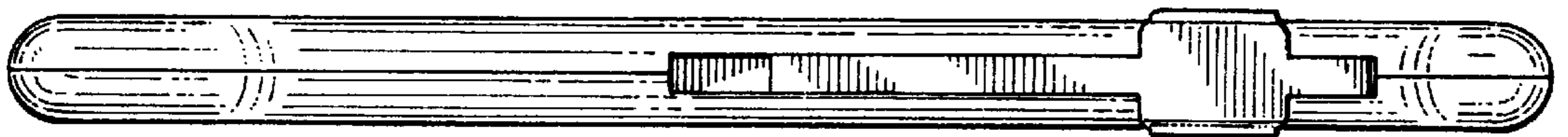


Fig. 3

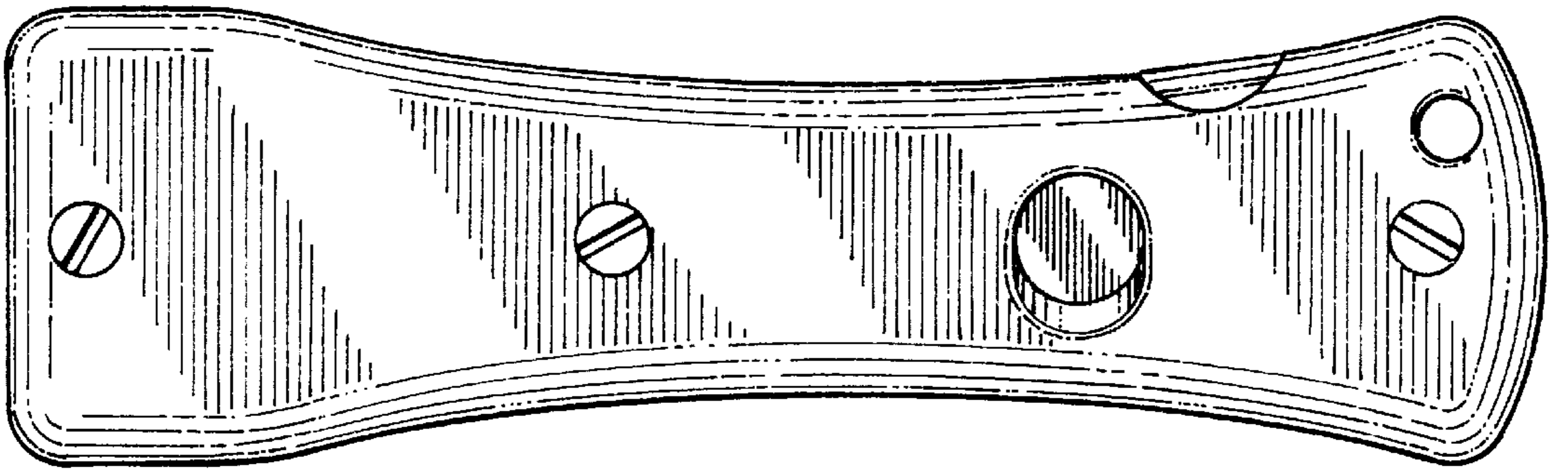


Fig. 4

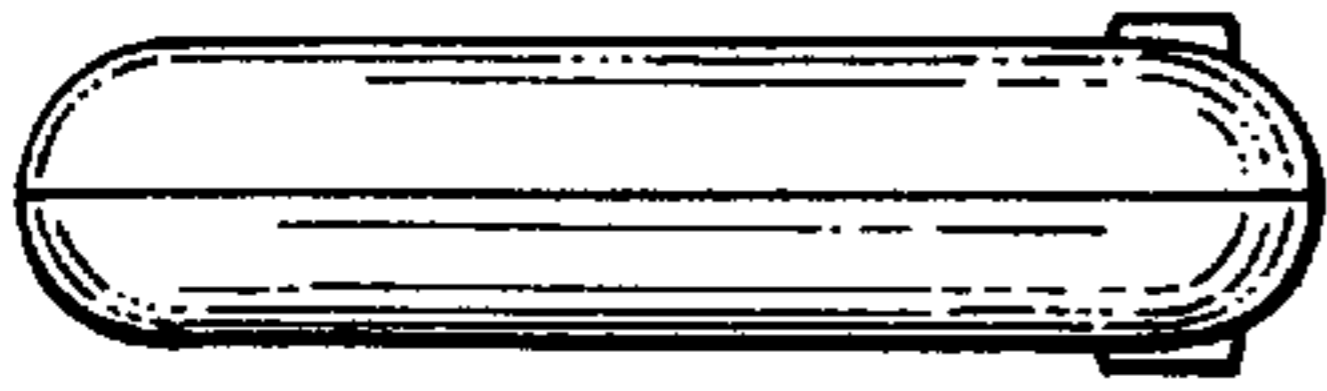


Fig. 5

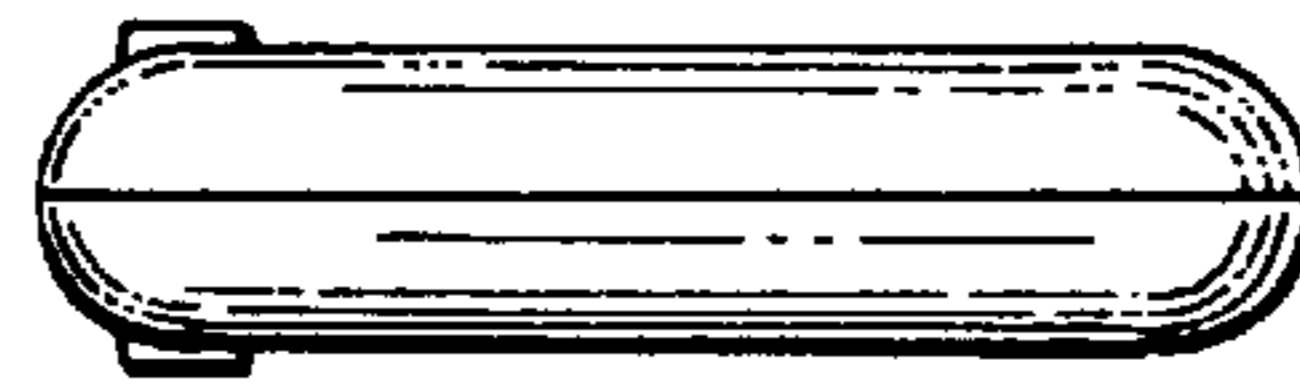


Fig. 6

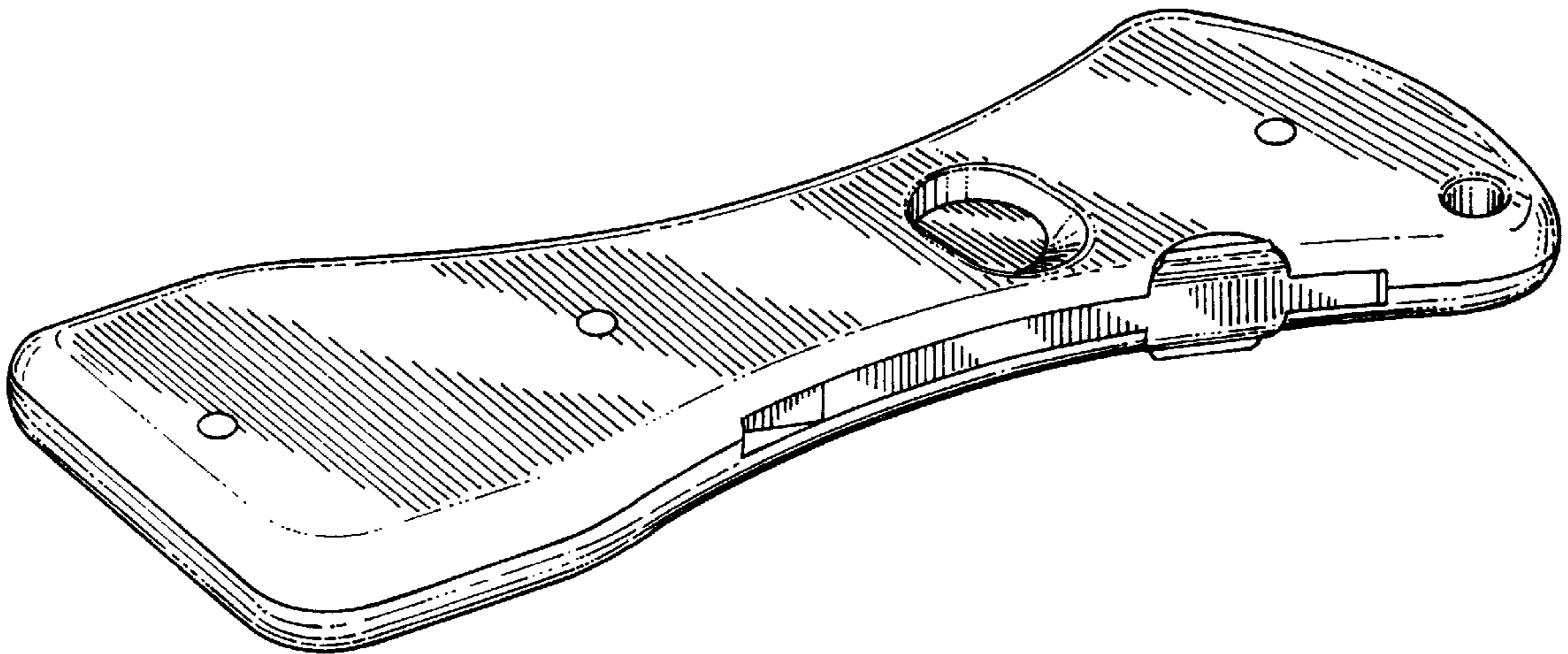


Fig. 7

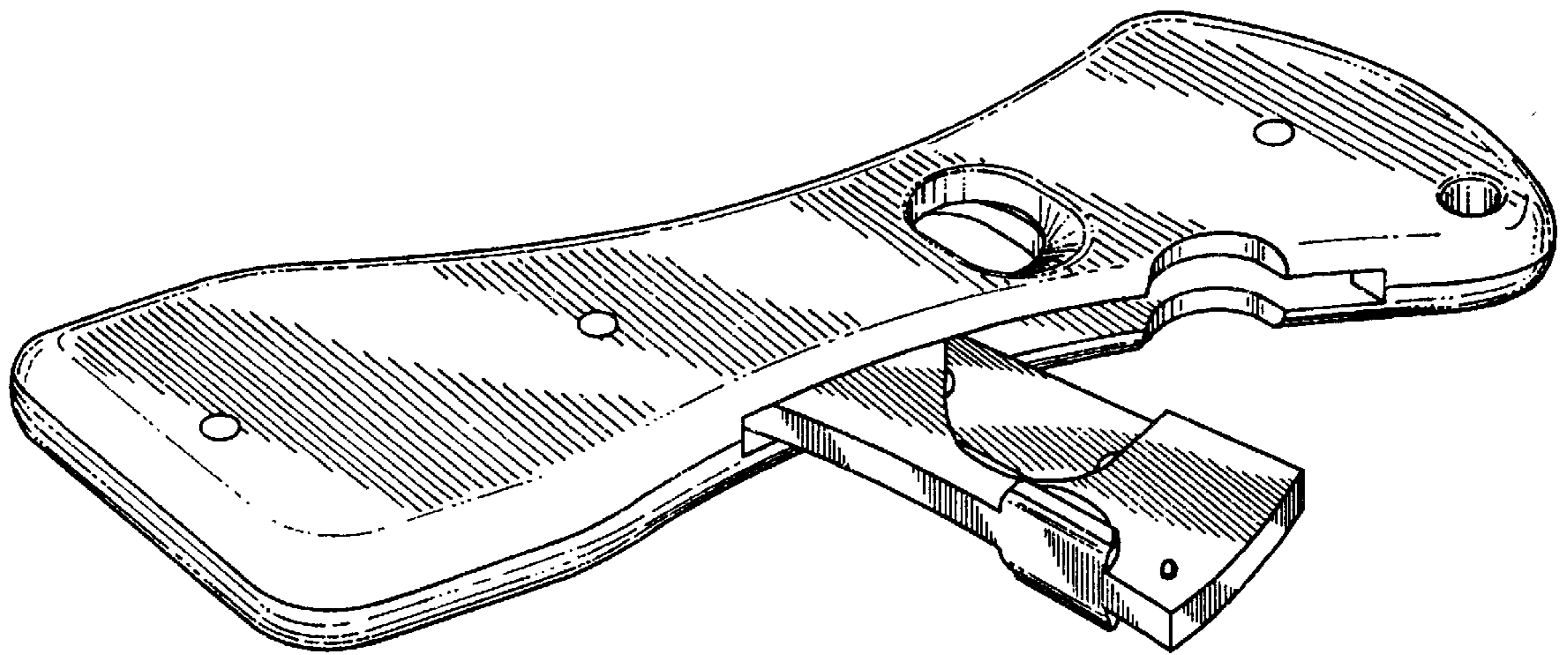


Fig. 8