



US00D414659S

# United States Patent [19]

Hunt et al.

[11] Patent Number: Des. 414,659

[45] Date of Patent: \*\* Oct. 5, 1999

[54] WIDE MOUTH FOOD BOTTLE

[75] Inventors: David L. Hunt, Cincinnati, Ohio; W. Henry Kahl, Franklin, Tenn.

[73] Assignee: Aladdin Industries, LLC., Nashville, Tenn.

[\*\*] Term: 14 Years

[21] Appl. No.: 29/091,461

[22] Filed: Jul. 30, 1998

[51] LOC (6) Cl. .... 07-06

[52] U.S. Cl. .... D7/608; D7/629

[58] Field of Search ..... D7/605-608, 629; 62/457.1-457.5, 371; 215/12.1, 12.2, 13.1; 220/410-412

### [56] References Cited

#### U.S. PATENT DOCUMENTS

|            |         |                |       |          |   |
|------------|---------|----------------|-------|----------|---|
| D. 259,012 | 4/1981  | Harris         | ..... | D7/608   | X |
| D. 346,299 | 4/1994  | Covault et al. | ..... | D7/608   | X |
| 3,285,450  | 11/1966 | Piker          | ..... | 215/12.2 |   |
| 3,298,554  | 1/1967  | Piker          | ..... | 215/12.2 |   |

#### FOREIGN PATENT DOCUMENTS

2172395 9/1986 United Kingdom .

#### OTHER PUBLICATIONS

Aladdin® "Stanley"® Wide Mouth Brochure, 1995.  
Aladdin® "Stanley"® Wide Mouth Food Bottle With Two 12-oz. Stanley Foam-Insulated Tracel Mugs brochure, 1995.

Aladdin® EXECUTIVE™ All Steel Bottles Brochure (2pp.), 1995.

Aladdin® "Lunch Essentials", "Thermo Jar" (p. 19).

Aladdin® Price List (cover page, and attached page enlarged to show detail), effective Jan. 1, 1995.

Aladdin® 1995 Promotional Products Catalog, pp. 9-11.

Primary Examiner—Terry A. Wallace  
Attorney, Agent, or Firm—Greenblum & Bernstein, P.L.C.

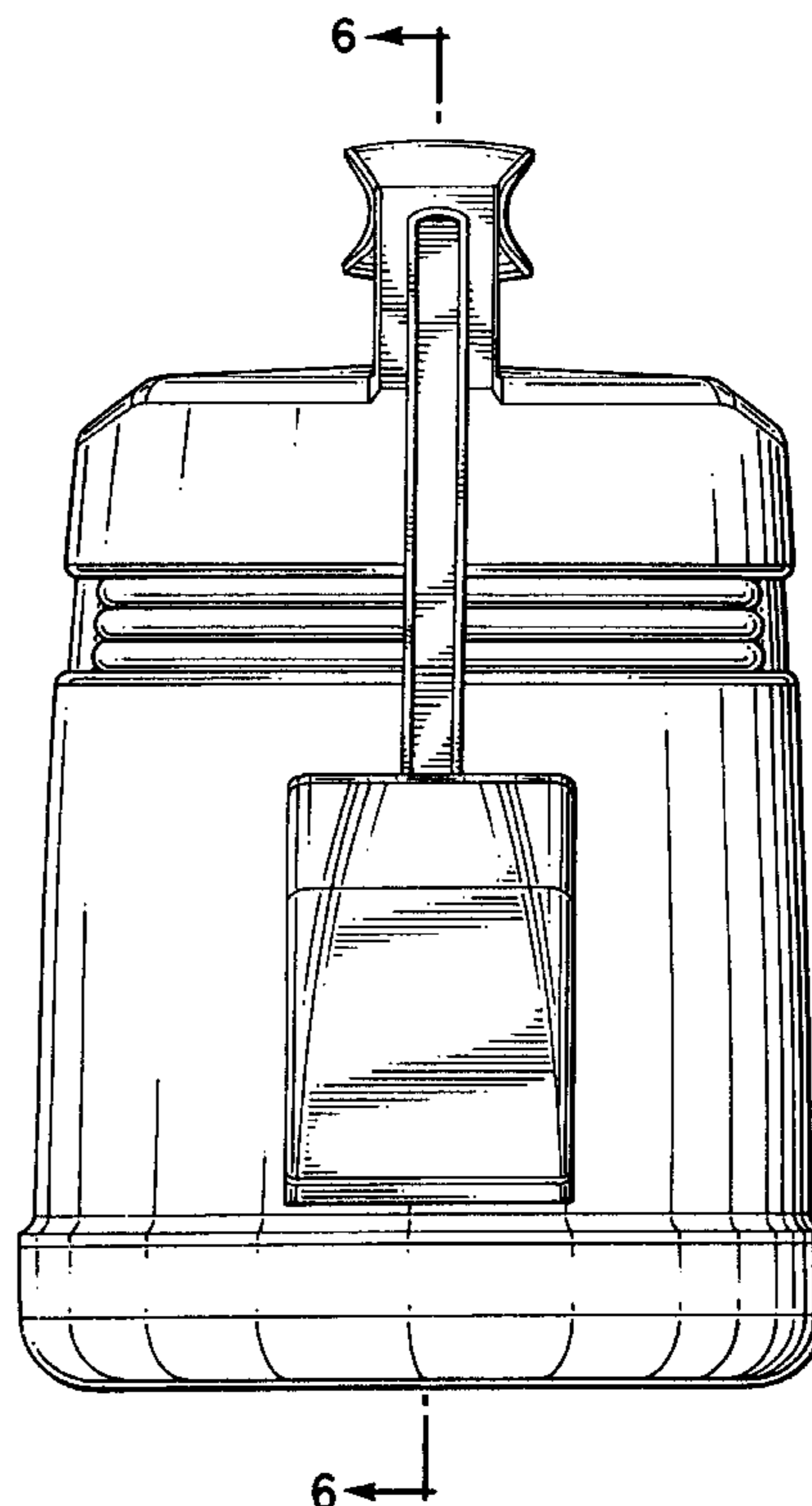
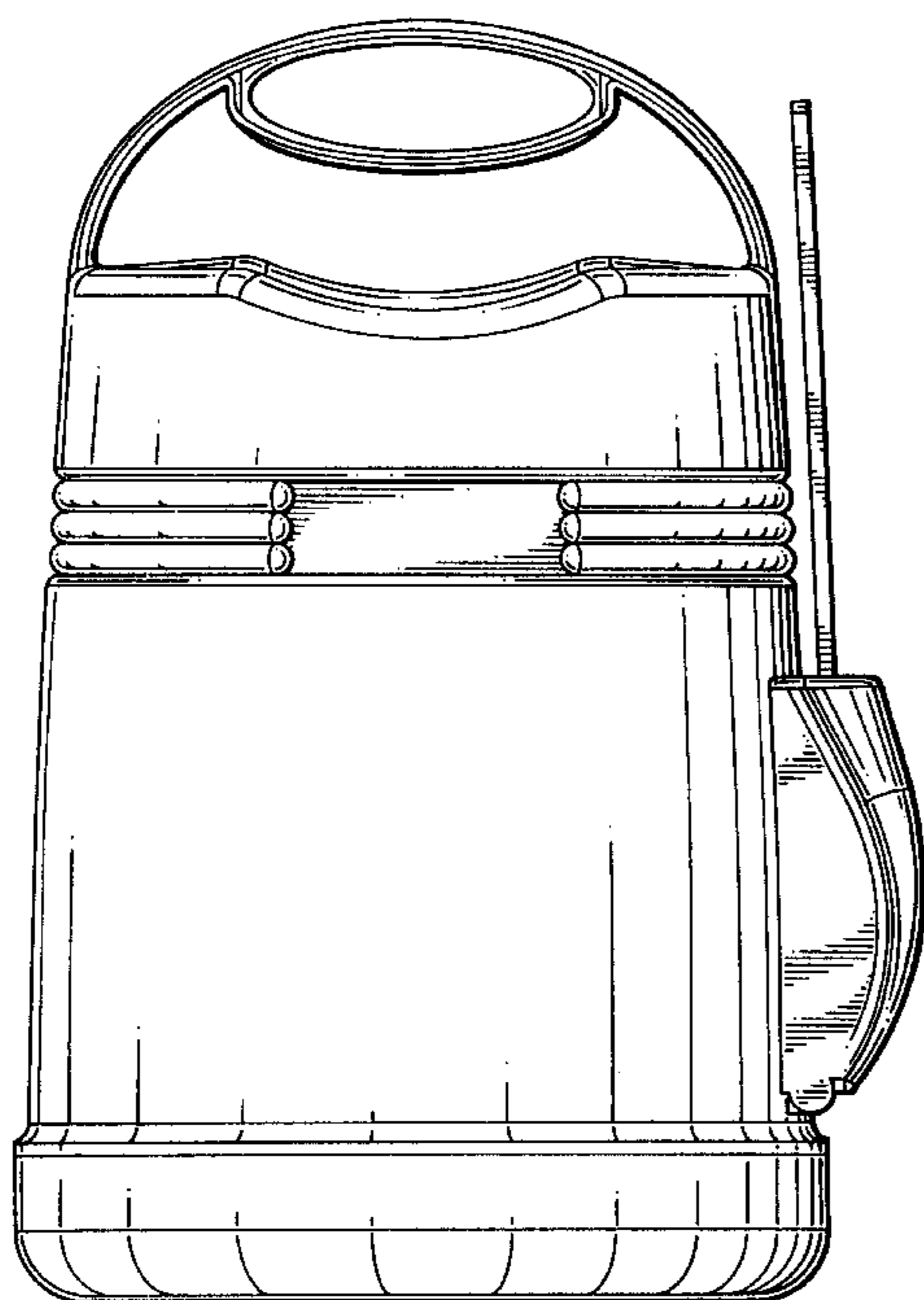
### [57] CLAIM

The ornamental design for a wide mouth food bottle, as shown and described.

### DESCRIPTION

FIG. 1 is a front elevational view of our new design with spoon, with the rear view being identical thereto; FIG. 2 is a right side elevational view thereof; FIG. 3 is a left side elevational view thereof; FIG. 4 is a top plan view thereof; FIG. 5 is a bottom plan view thereof; and FIG. 6 is a cross-section taken along line 6-6 of FIG. 2; FIG. 7 is a front elevational view of an alternate embodiment of FIG. 1 shown without the spoon, with the rear view being identical thereto; FIG. 8 is a right side elevational view of FIG. 7, with the left side view being identical; FIG. 9 is a top plan view of FIG. 7; and FIG. 10 is a bottom plan view of FIG. 7.

1 Claim, 10 Drawing Sheets



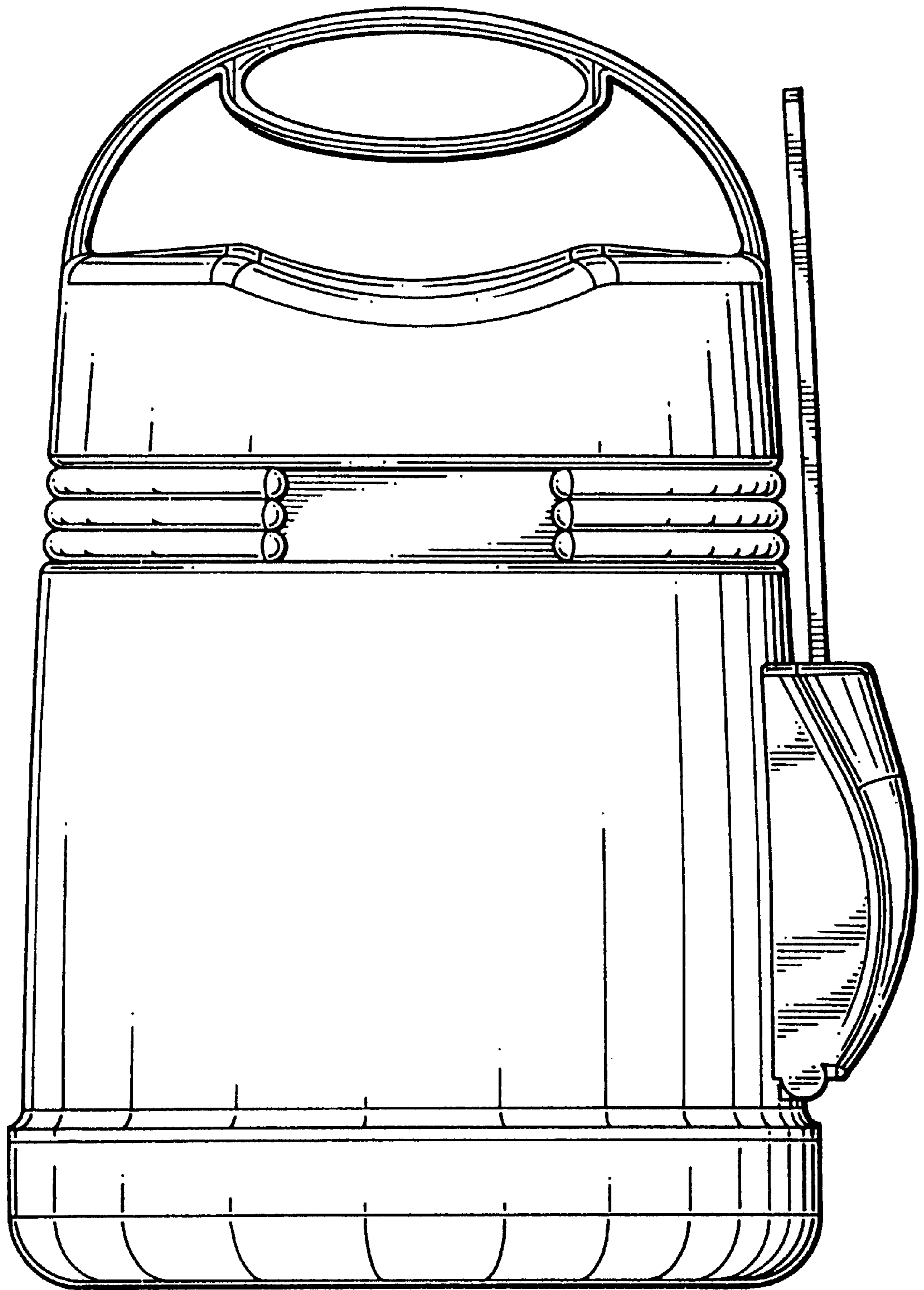


FIG. 1

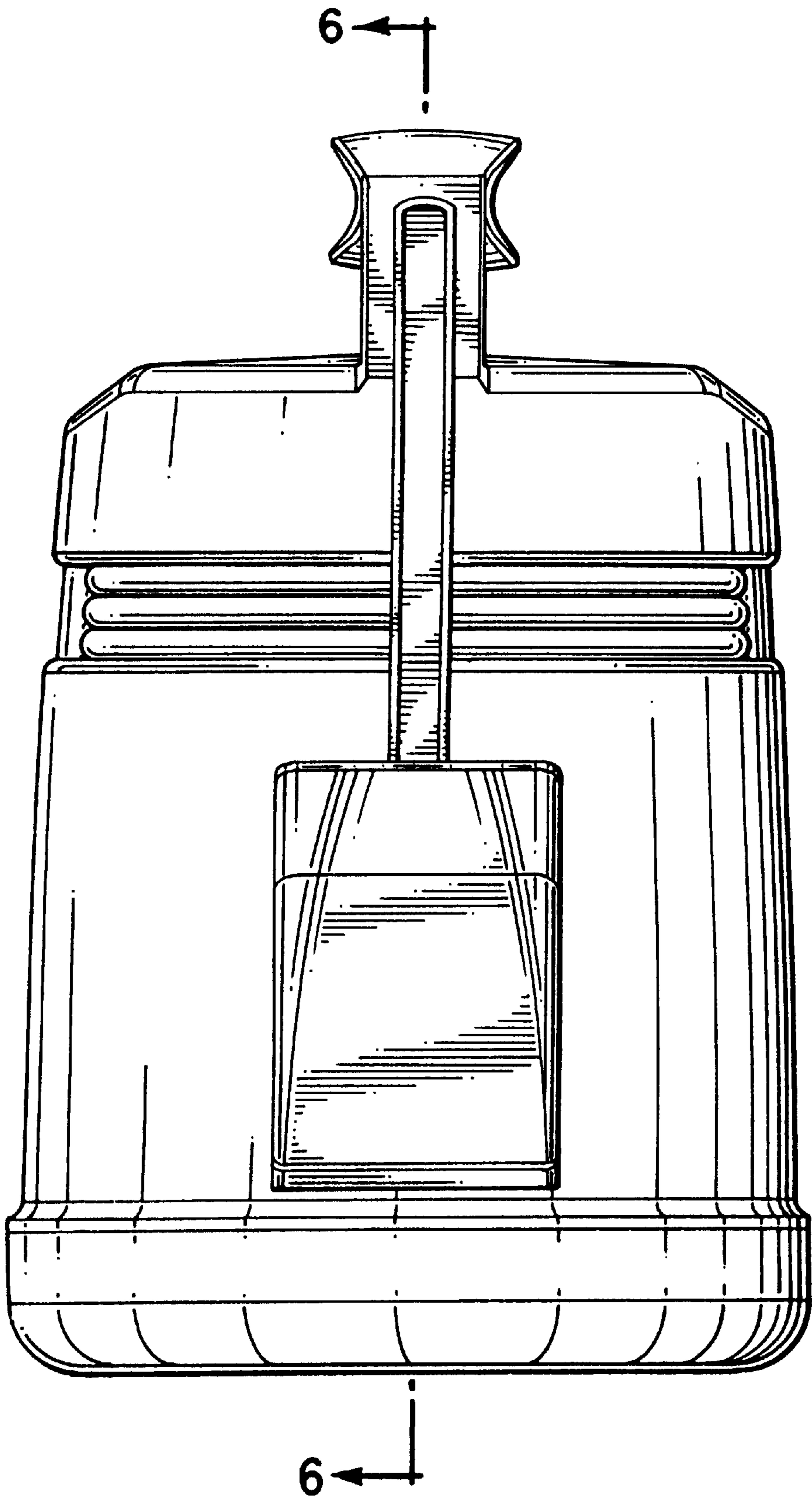


FIG. 2

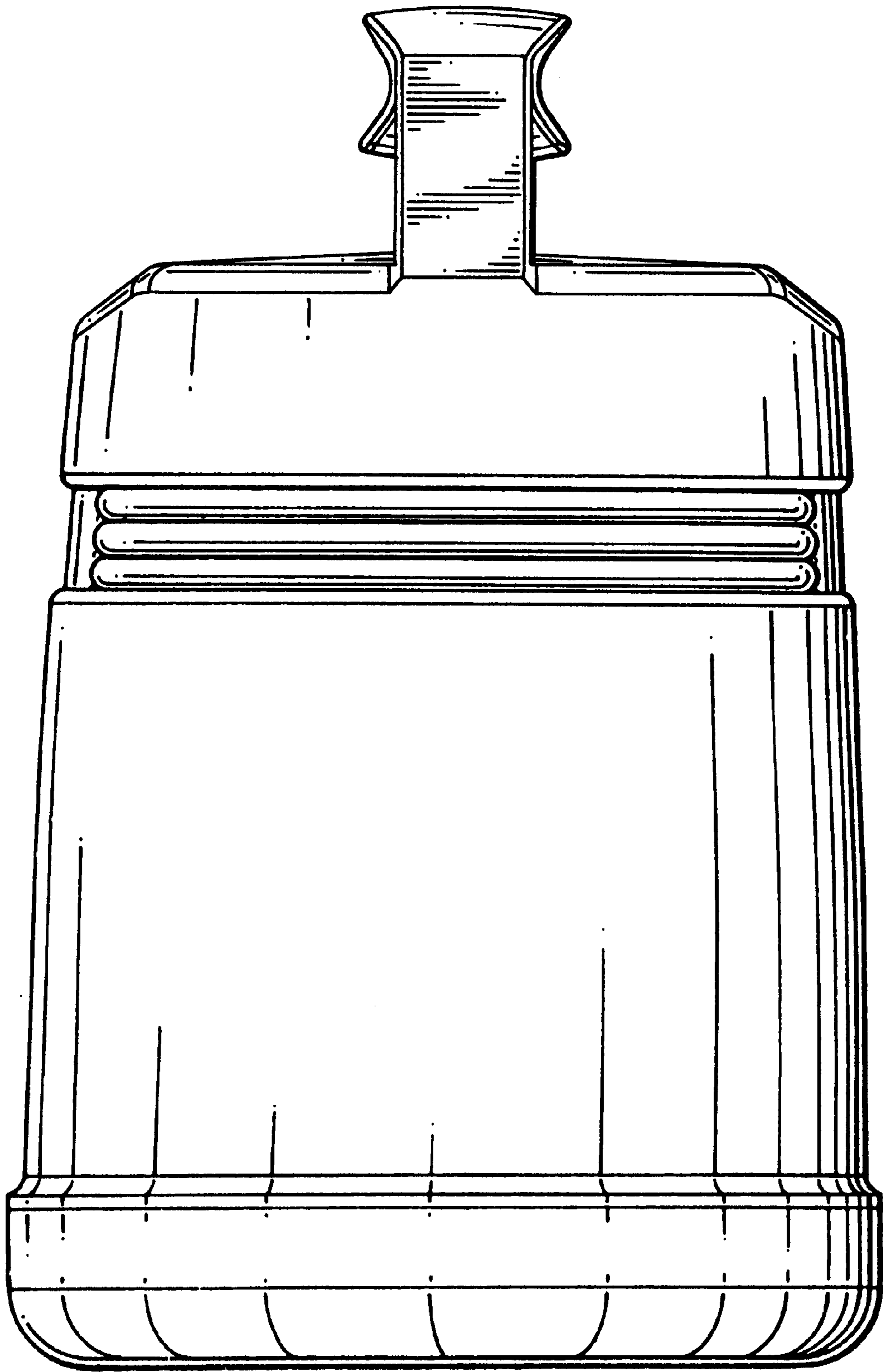


FIG. 3

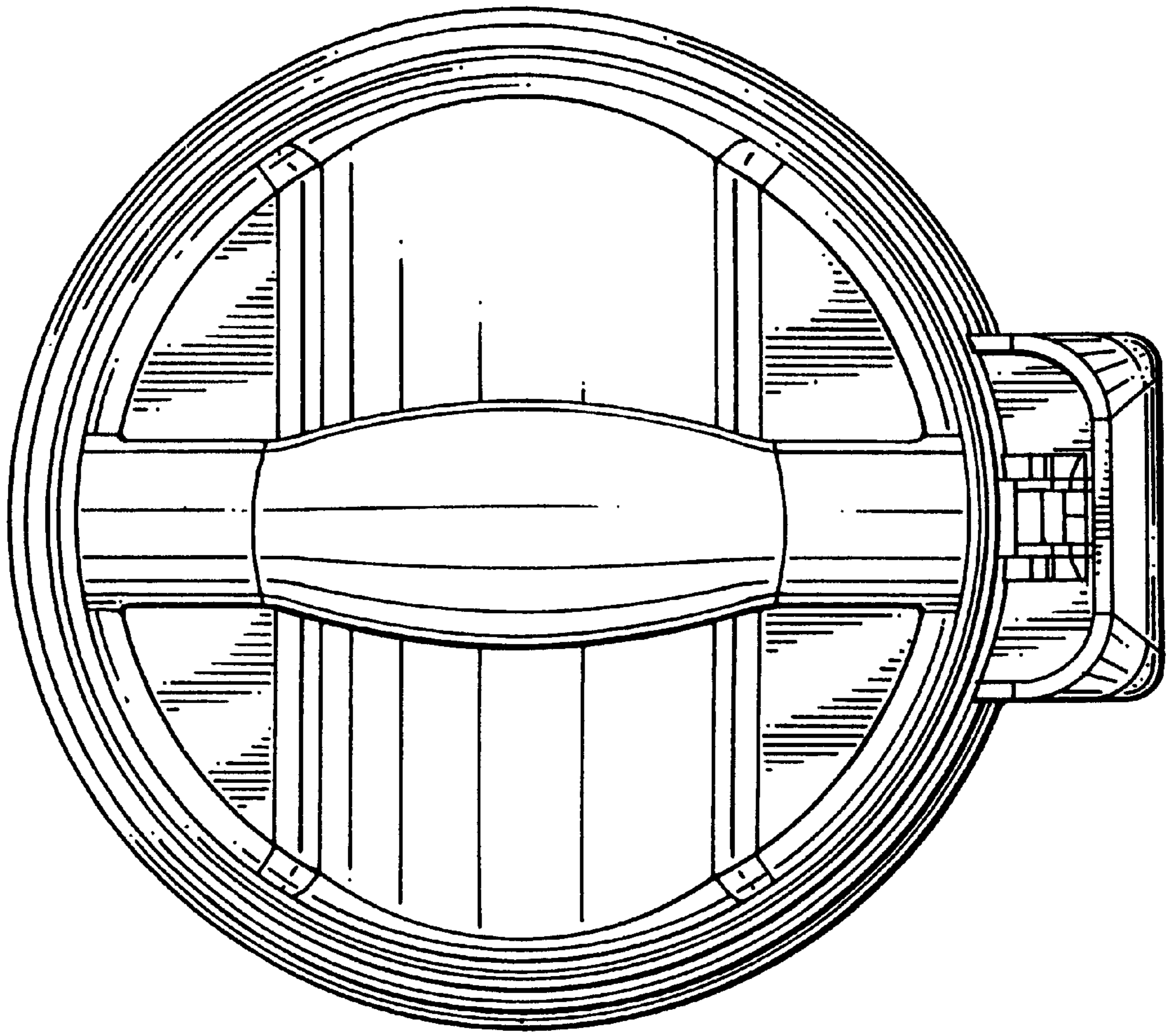


FIG.4

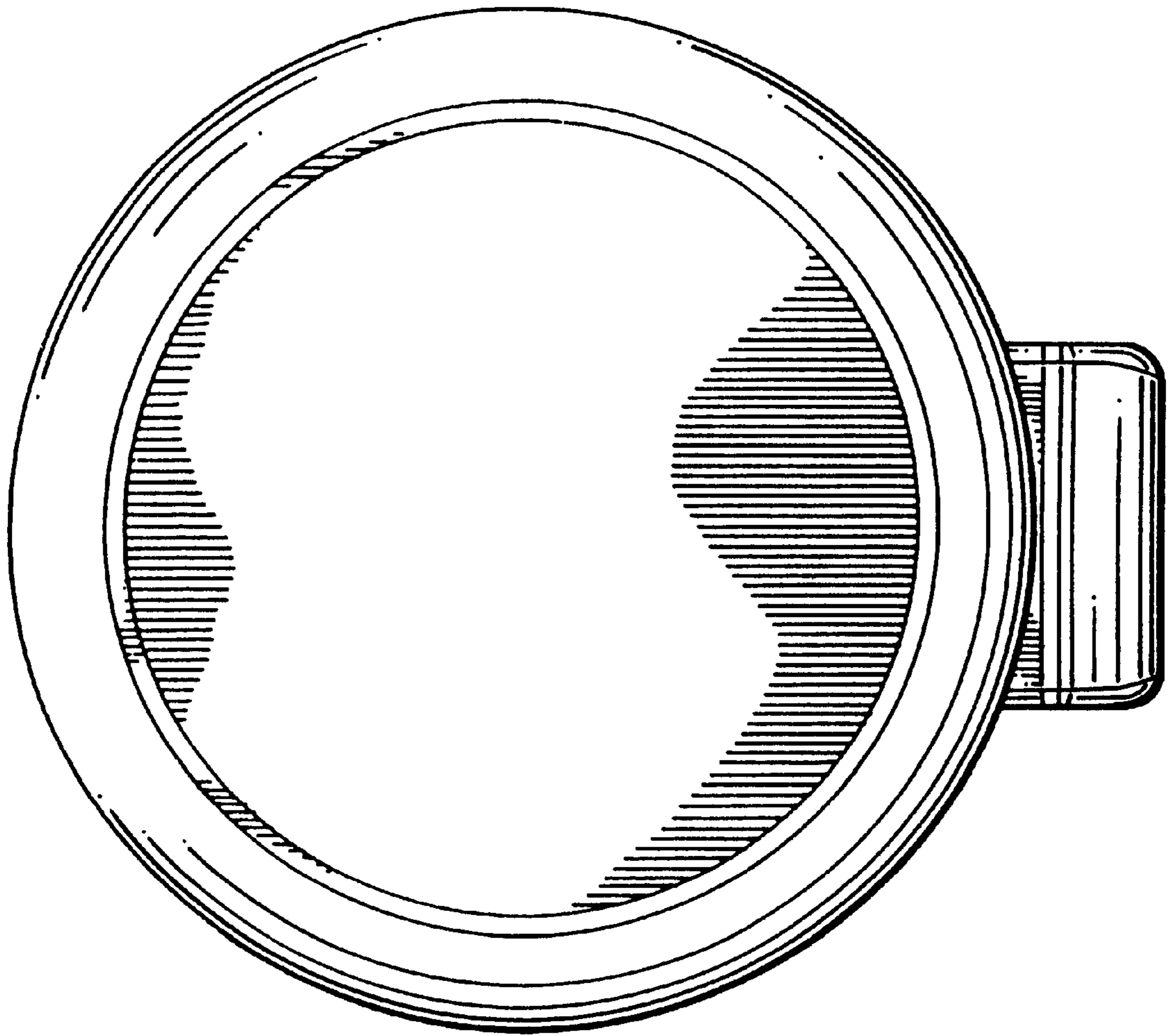


FIG. 5

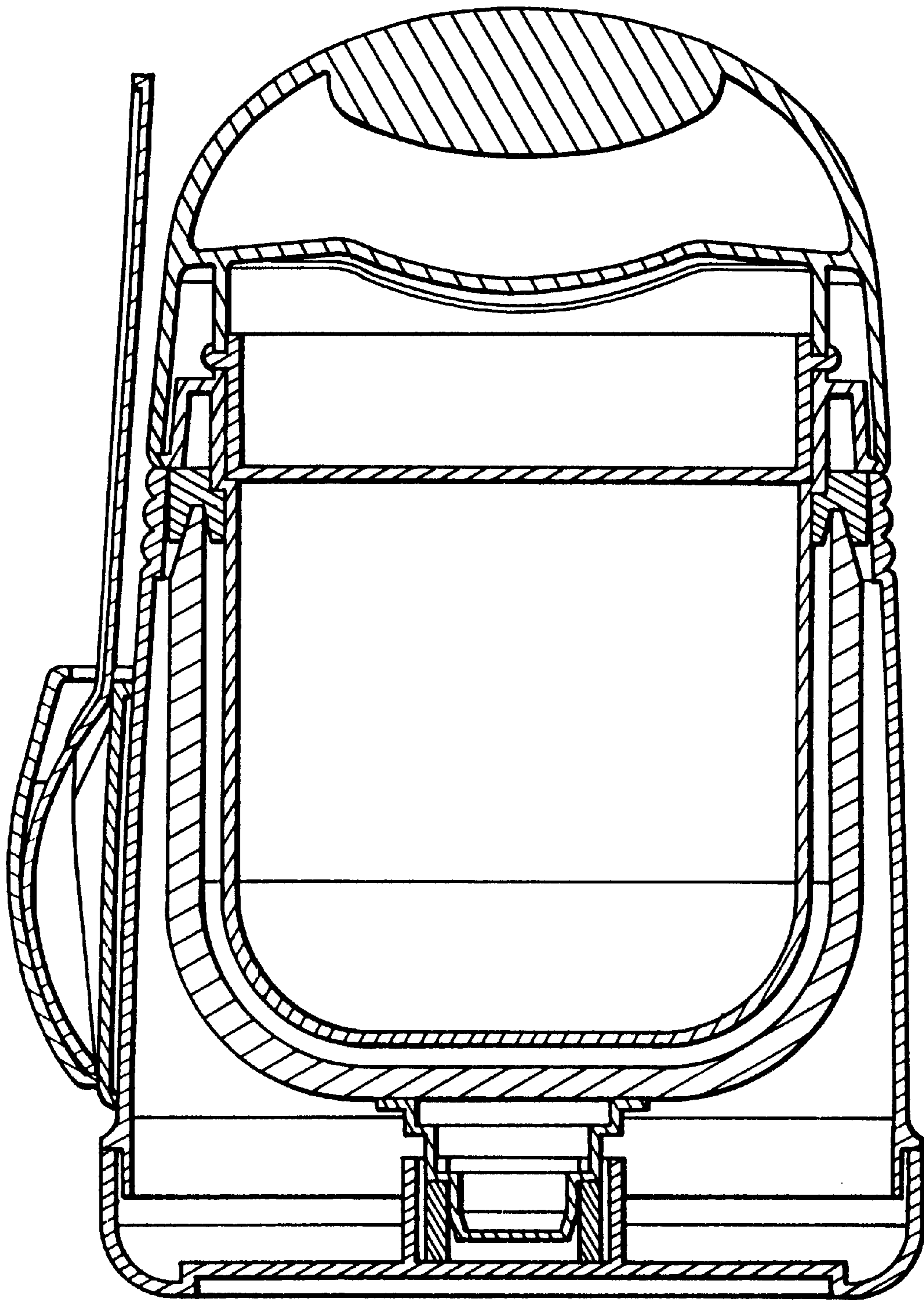


FIG. 6

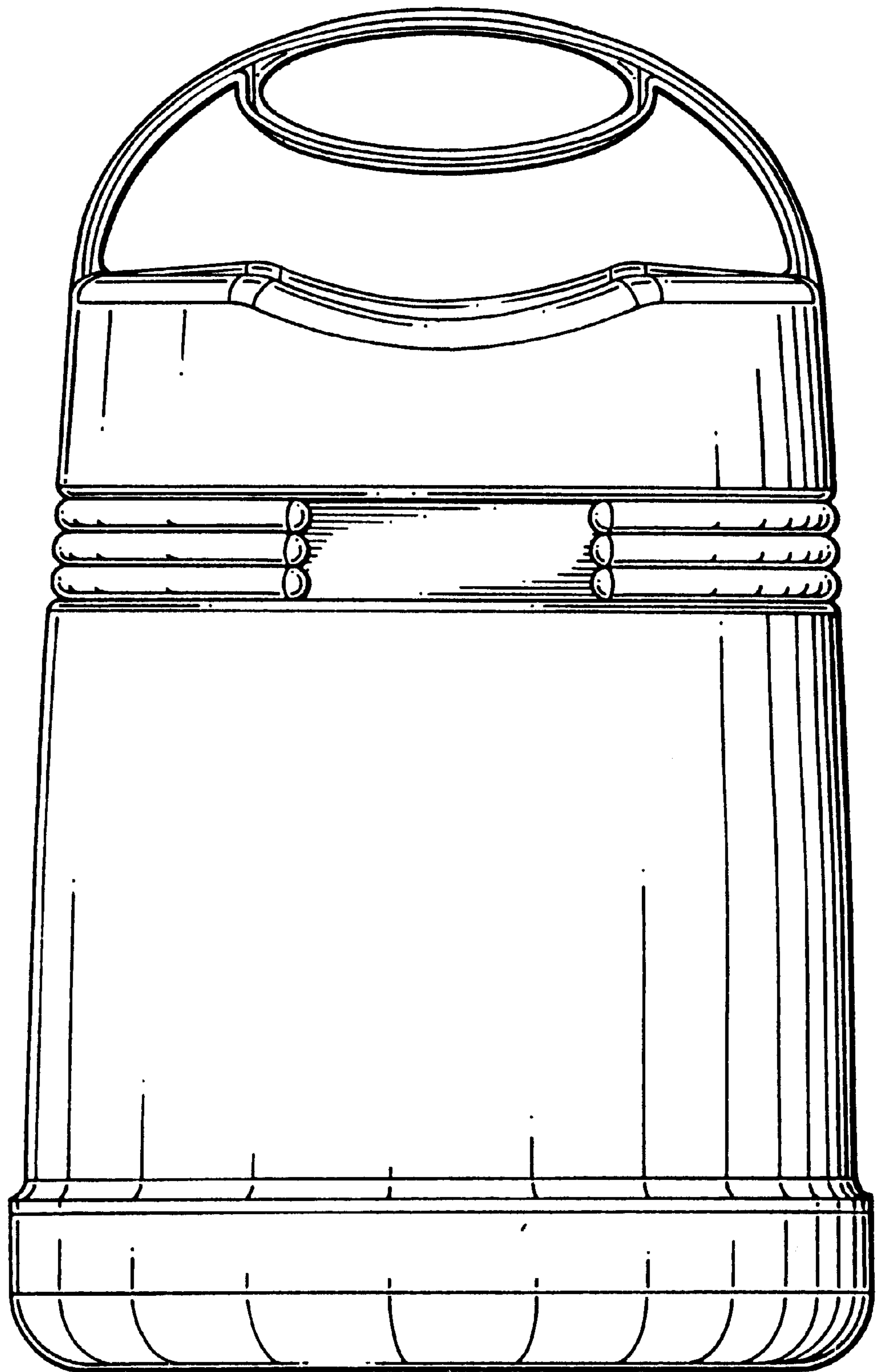


FIG.7



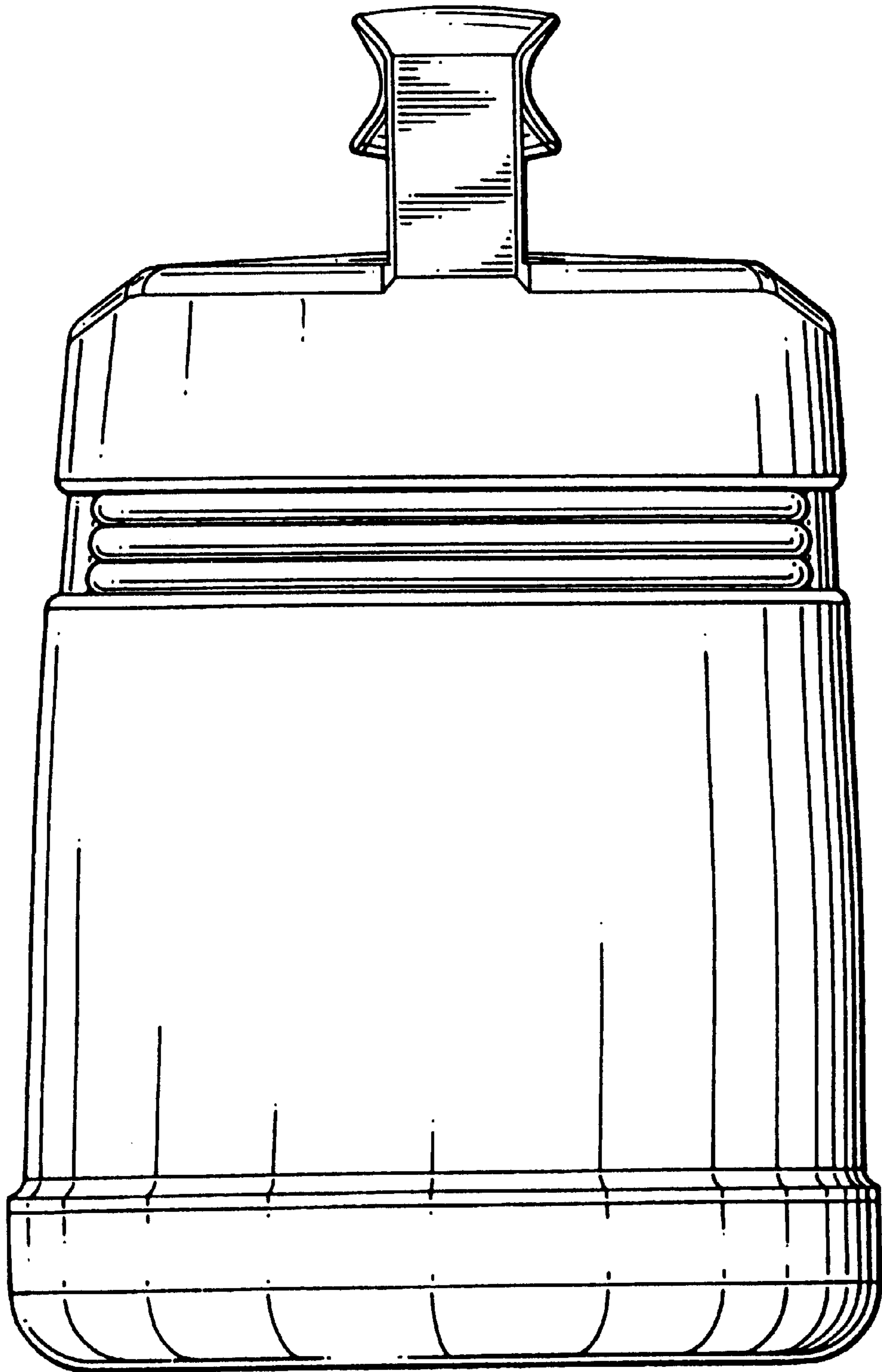


FIG. 8

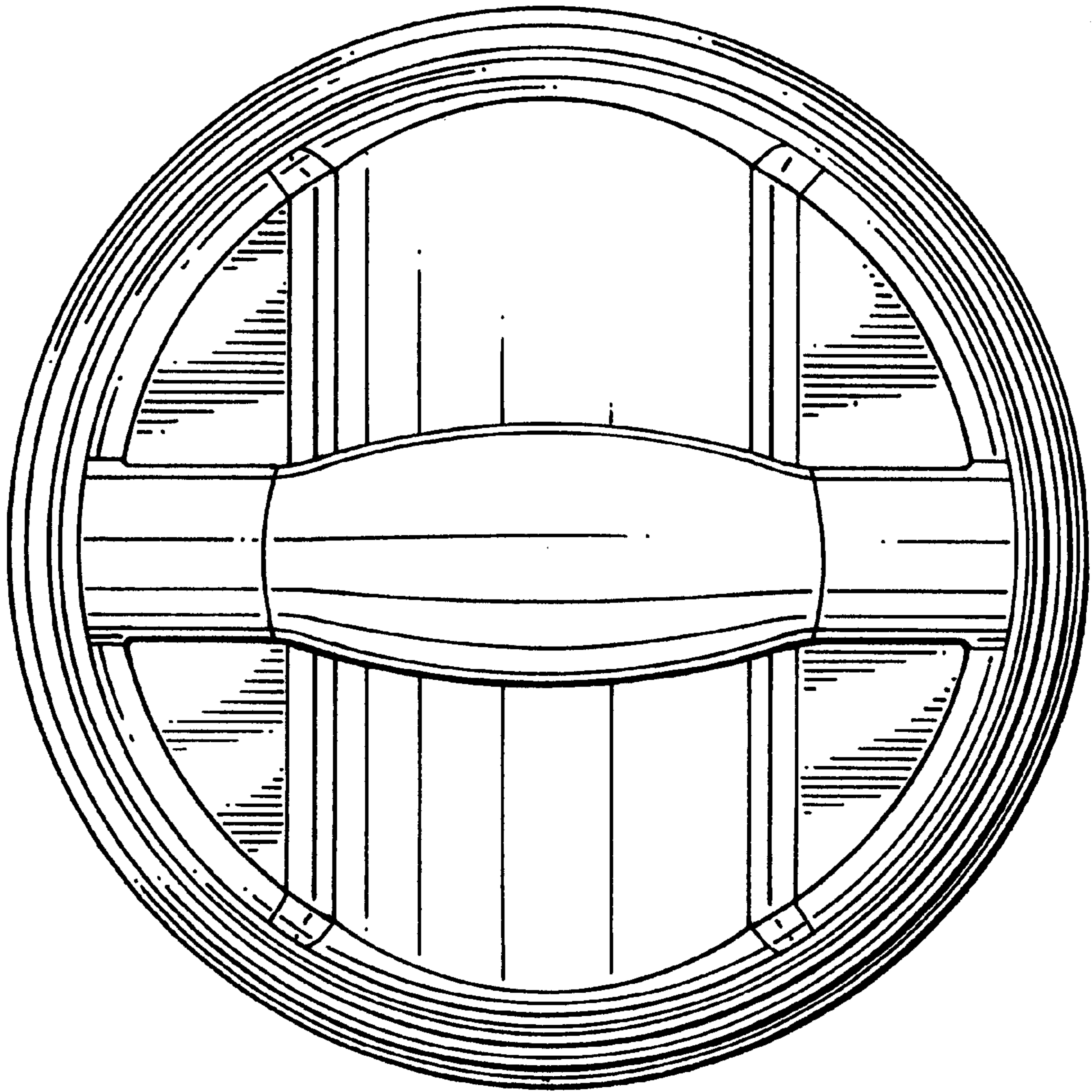


FIG. 9

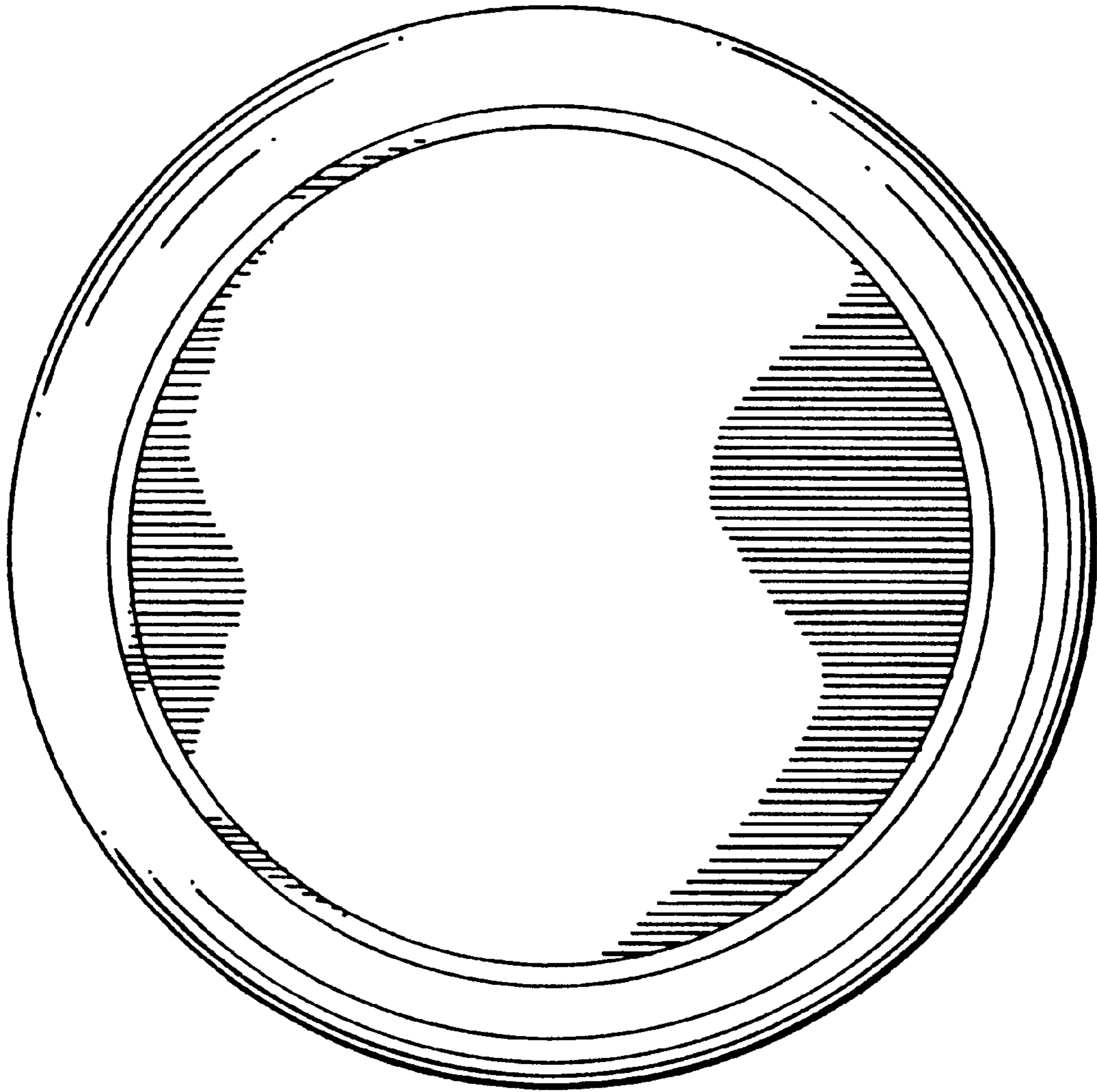


FIG. 10