



US00D414655S

**United States Patent** [19]  
**Schwarz**

[11] **Patent Number: Des. 414,655**  
[45] **Date of Patent: \*\* Oct. 5, 1999**

[54] **DRINKING CONTAINER**

[76] Inventor: **Richard T. Schwarz**, 295 Coquina Ave., Ormond Beach, Fla. 32174

[\*\*] Term: **14 Years**

[21] Appl. No.: **29/095,915**

[22] Filed: **Nov. 2, 1998**

[51] **LOC (6) Cl.** ..... **07-01**

[52] **U.S. Cl.** ..... **D7/514; D7/509; D7/523; D7/515**

[58] **Field of Search** ..... D7/509, 523, 514, D7/515, 524, 510, 511; 220/703, 705, DIG. 13, 603; D9/528; 215/374

[56] **References Cited**

**U.S. PATENT DOCUMENTS**

- D. 215,226 9/1969 Benes ..... D7/514
- D. 253,571 12/1979 Schreibman et al. .... D7/523
- D. 302,225 7/1989 Shapard ..... D7/523

- D. 389,017 1/1998 Schwarz ..... D7/510
- D. 400,051 10/1998 Miyagi ..... D7/524
- 3,951,259 4/1976 Oglesbee ..... D7/523 X
- 4,681,236 7/1987 Ilk ..... 215/374
- 5,620,112 4/1997 Brown ..... 220/703

*Primary Examiner*—M. N. Pandozzi  
*Attorney, Agent, or Firm*—William M. Hobby, III

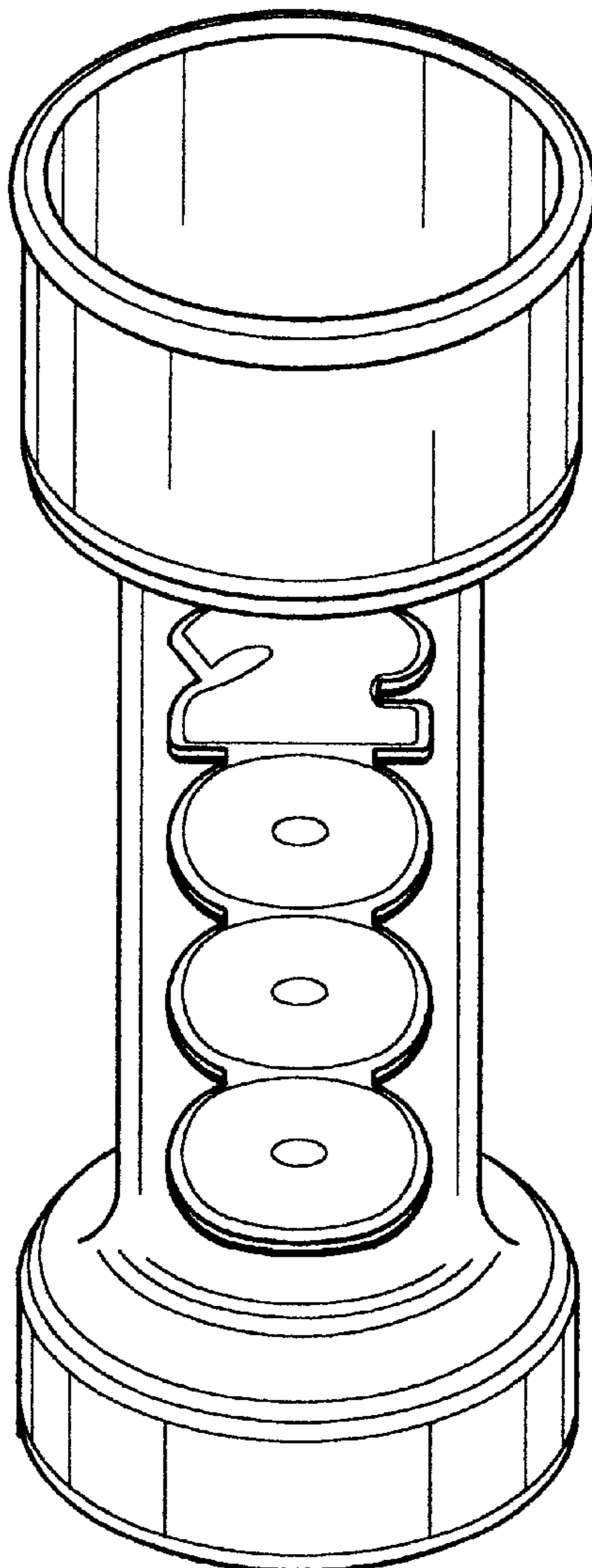
[57] **CLAIM**

The ornamental design for a drinking container, as shown and described.

**DESCRIPTION**

FIG. 1 is a top front perspective view of my new drinking container;  
FIG. 2 is a front elevation;  
FIG. 3 is a rear elevation;  
FIG. 4 is a right side elevation;  
FIG. 5 is a left side elevation;  
FIG. 6 is a top plan view; and,  
FIG. 7 is a bottom plan view.

**1 Claim, 2 Drawing Sheets**



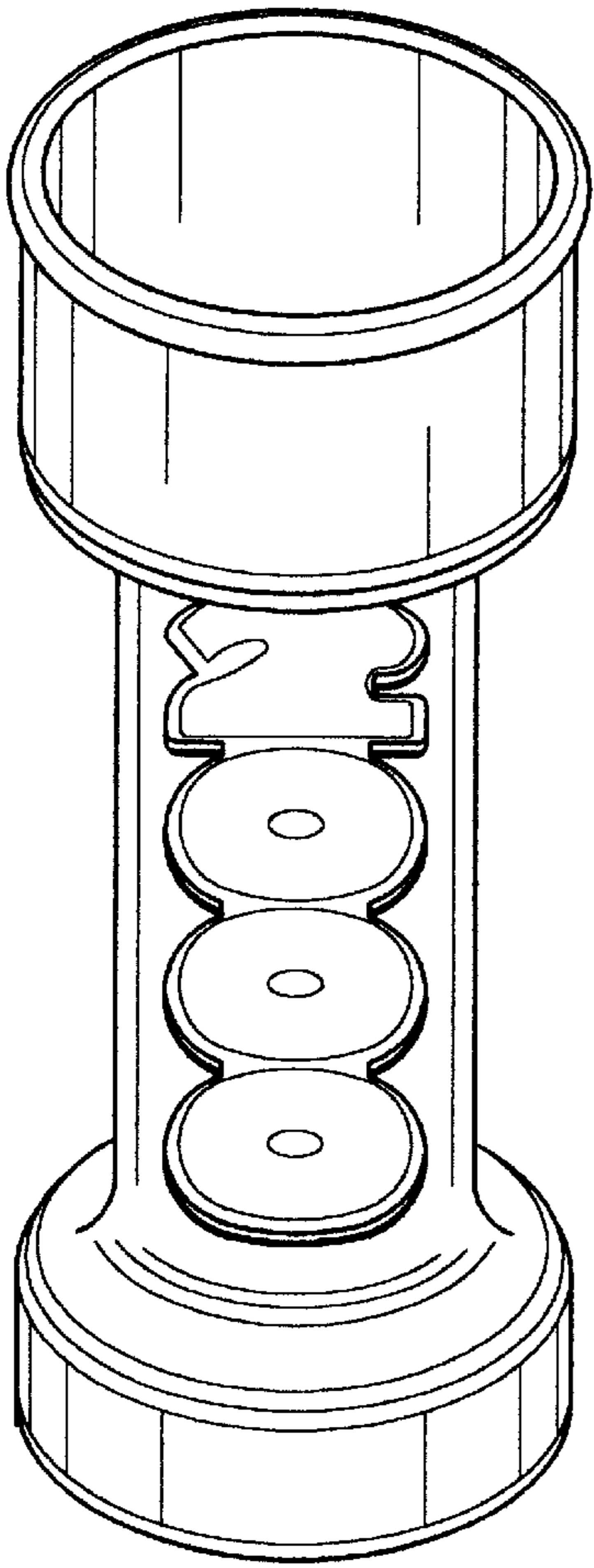


FIG. 1

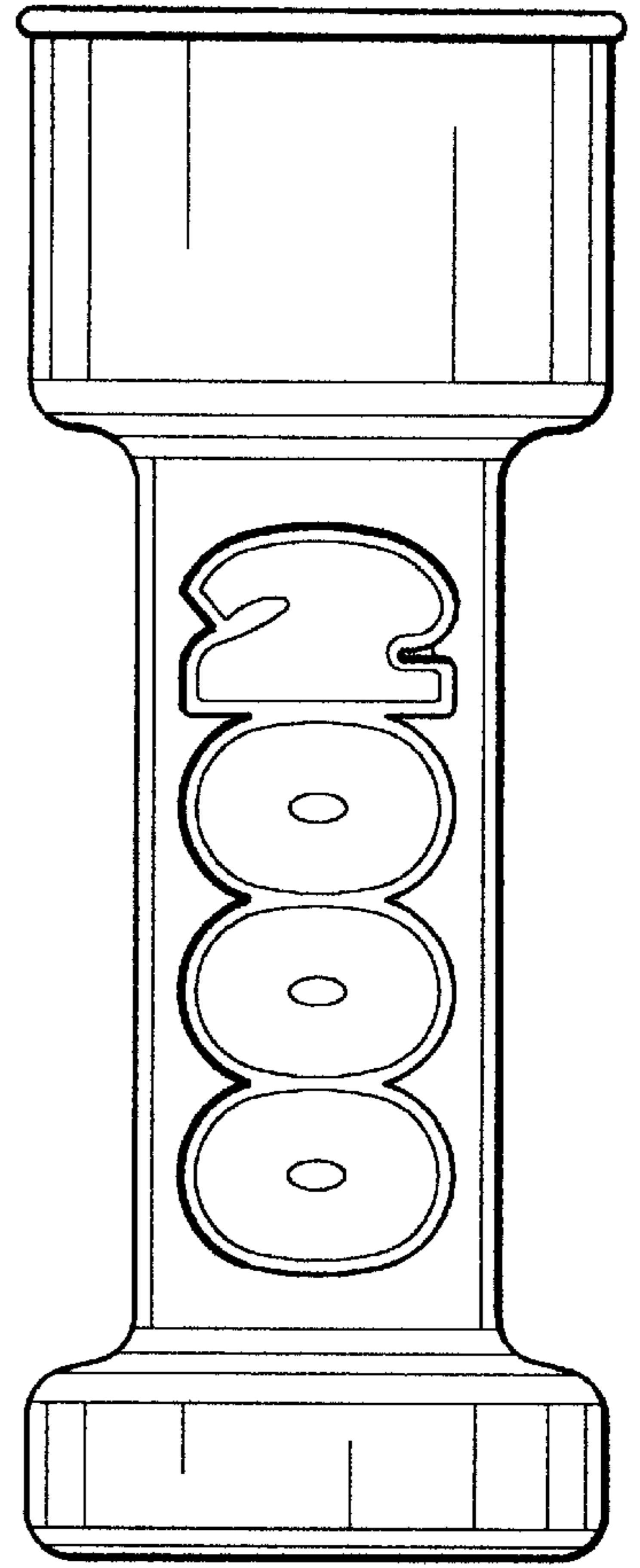


FIG. 2

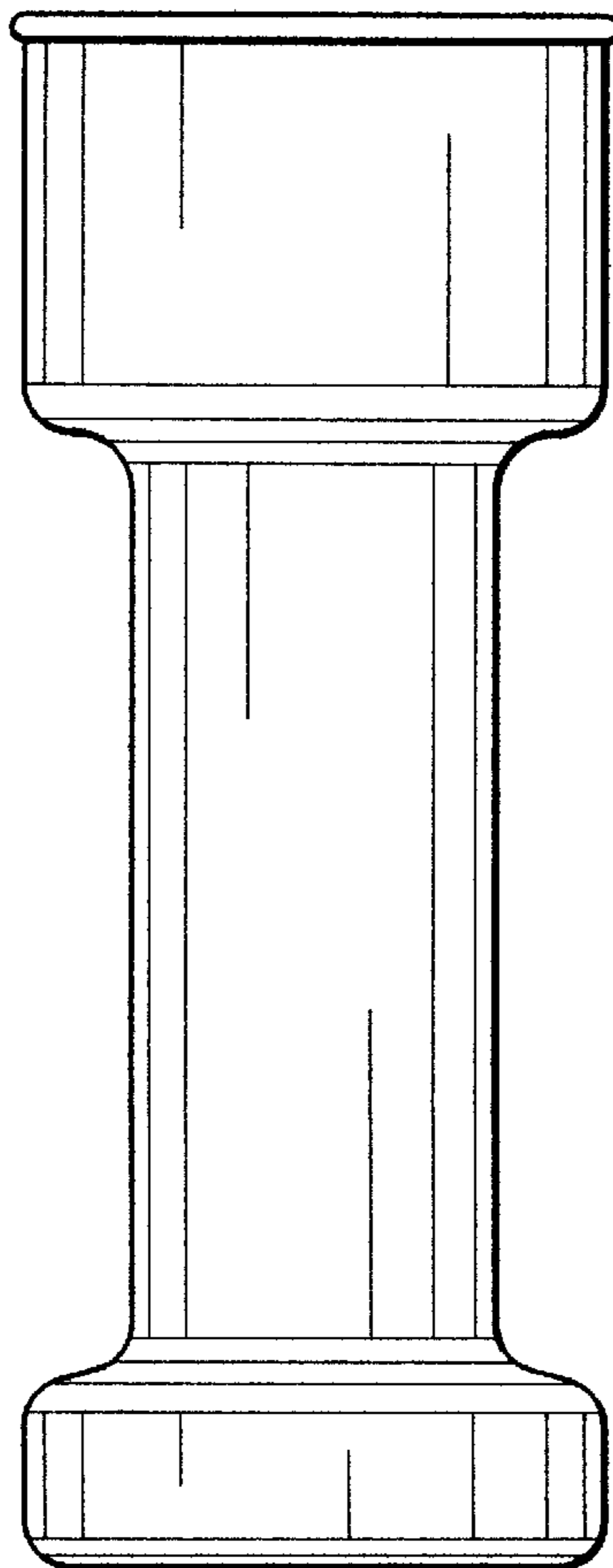


FIG. 3

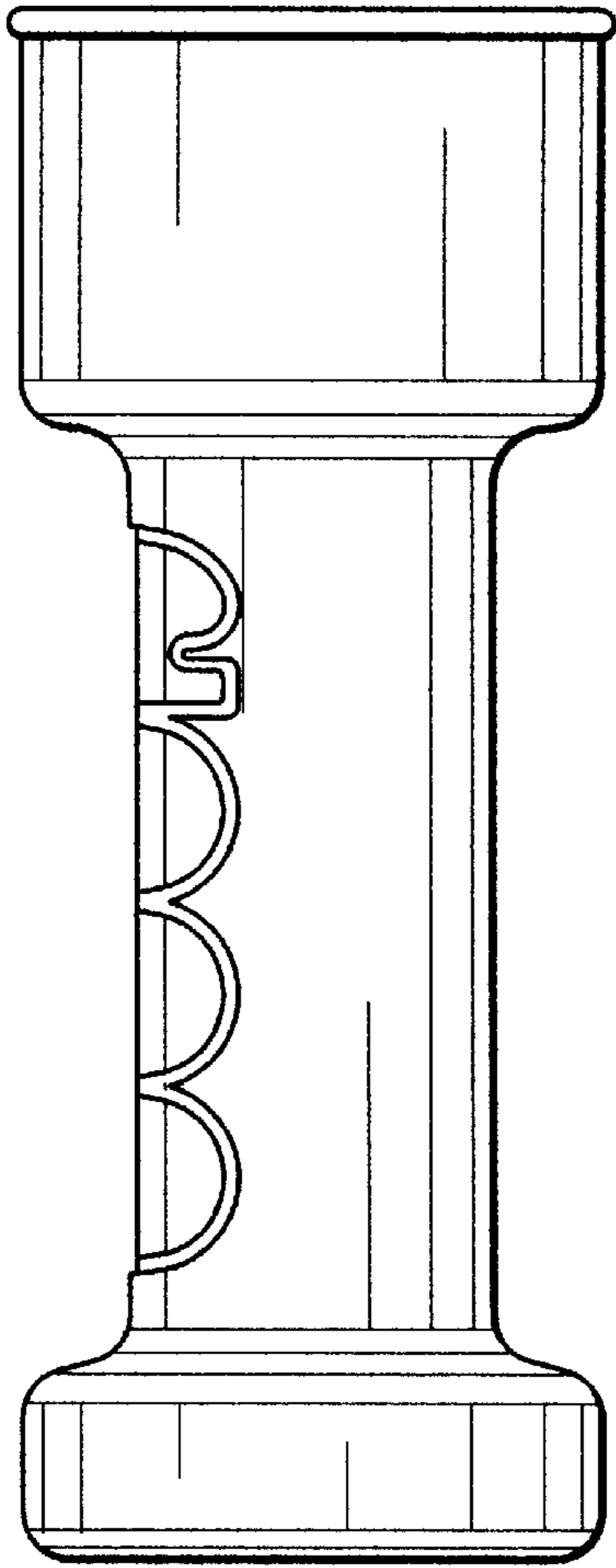


FIG. 4

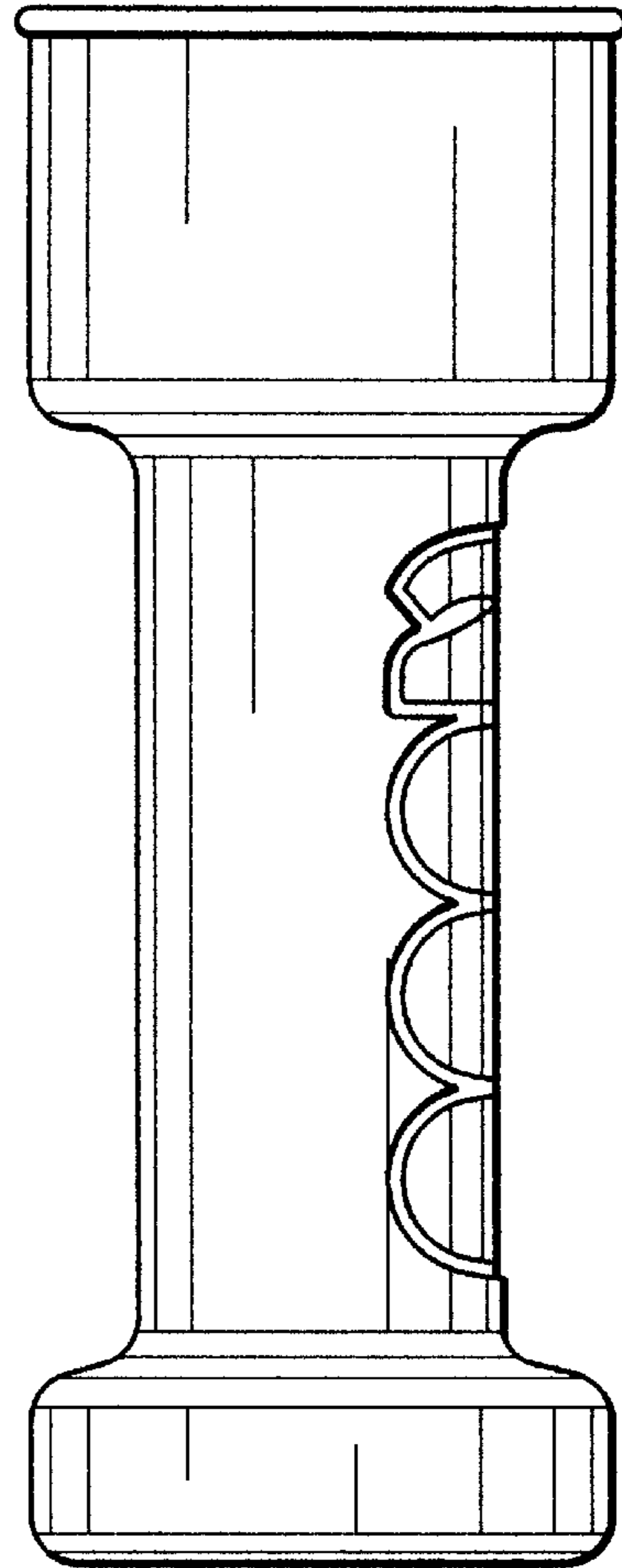


FIG. 5

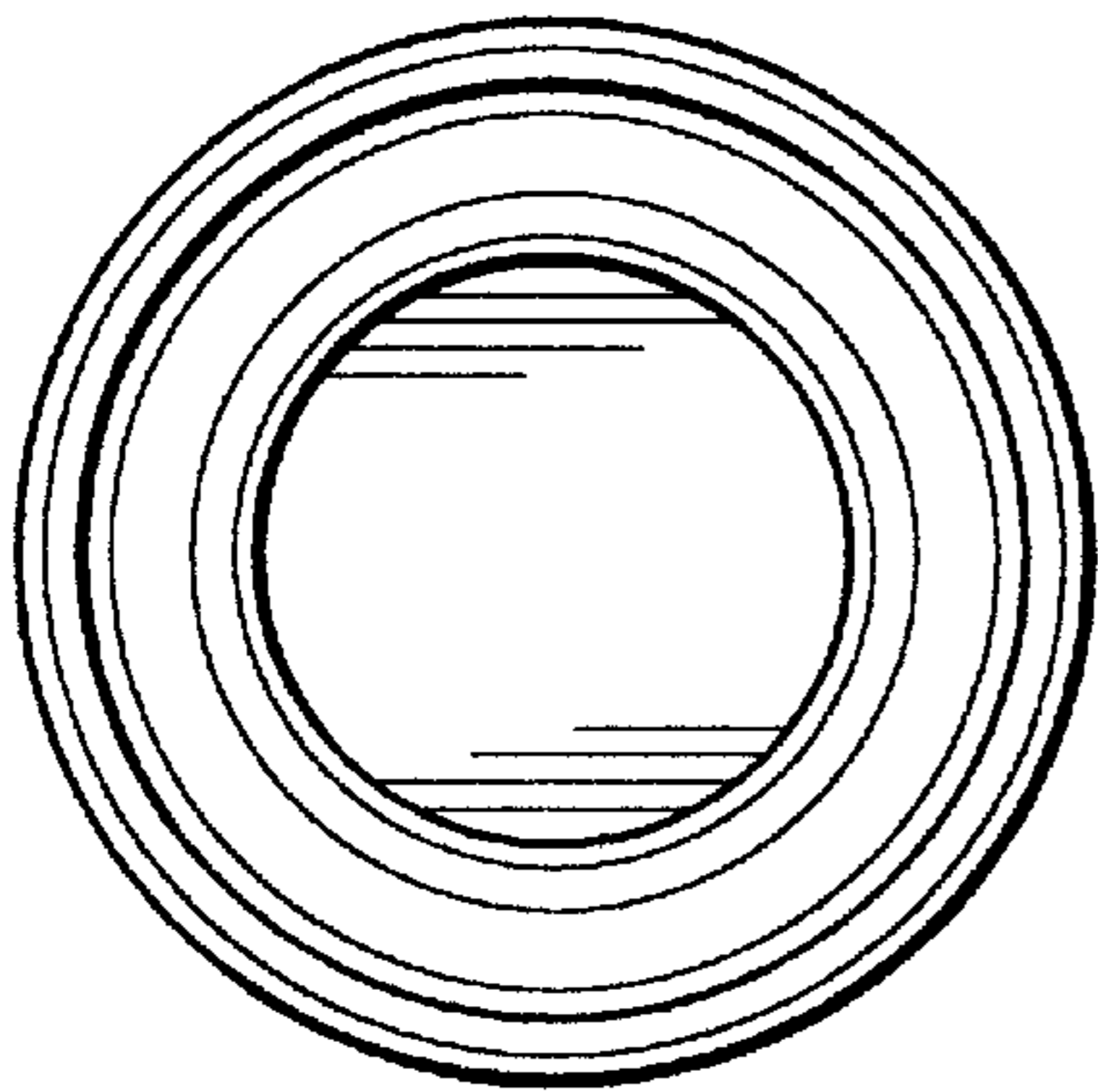


FIG. 6

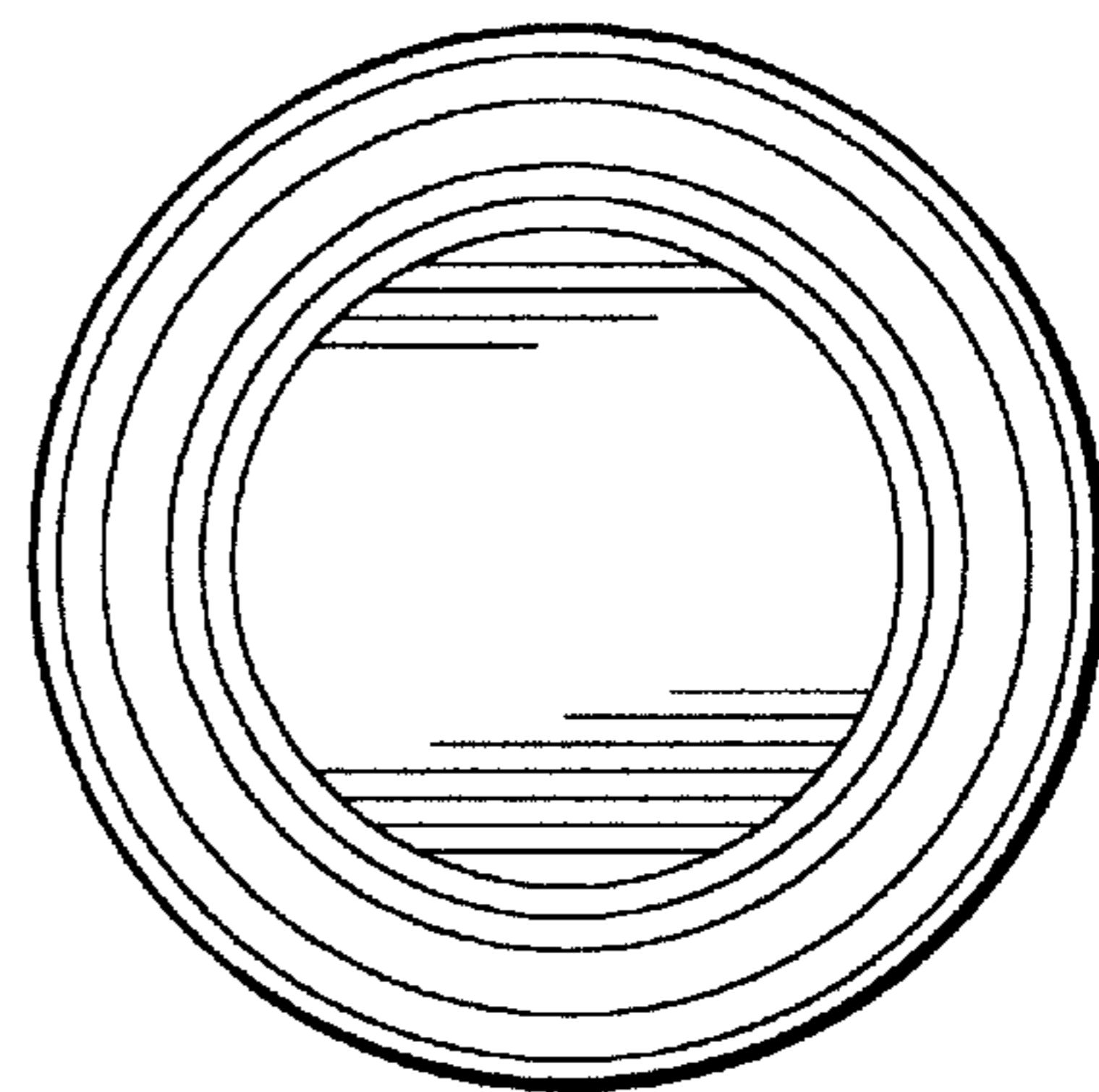


FIG. 7