



US00D414646S

# United States Patent [19] Ouguergouz

[11] **Patent Number: Des. 414,646**

[45] **Date of Patent: \*\* Oct. 5, 1999**

[54] **STORAGE BOX FOR COMPACT DISCS**

5,685,425 11/1997 Choi ..... 206/308.1  
5,746,314 5/1998 Knutsen et al. .... 206/309

[75] Inventor: **Brahim Ouguergouz**, Nances, France

*Primary Examiner*—Celia Murphy

[73] Assignee: **World Trading Marketing Company**,  
La Motte Servolex, France

*Attorney, Agent, or Firm*—Jacobson, Price, Holman &  
Stern, PLLC

[\*\*] Term: **14 Years**

### [57] CLAIM

[21] Appl. No.: **29/073,645**

The ornamental design for a storage box for compact discs,  
as shown and described.

[22] Filed: **Jul. 14, 1997**

### DESCRIPTION

### [30] Foreign Application Priority Data

Jan. 14, 1997 [XH] Hague Agreement ..... DM/038788

FIG. 1 is an inside elevational view of a storage box for compact discs showing my new design;  
FIG. 2 is an outside elevational view thereof;  
FIG. 3 is a bottom plan view thereof;  
FIG. 4 is a top plan view thereof;  
FIG. 5 is a right side elevational view thereof;  
FIG. 6 is a left side elevational view thereof;  
FIG. 7 is a top plan view there of shown in a closed position;  
FIG. 8 is a bottom plan view of FIG. 7;  
FIG. 9 is a bottom plan view of FIG. 7;  
FIG. 10 is a top plan view of FIG. 7;  
FIG. 11 is a front view of FIG. 7; and,  
FIG. 12 is a rear view of FIG. 7.

[51] **LOC (6) Cl.** ..... **06-04**

[52] **U.S. Cl.** ..... **D6/634; D6/632**

[58] **Field of Search** ..... D6/407, 408, 626,  
D6/627, 629, 631-635; D19/33, 75; 206/307,  
308.1, 312, 313

### [56] References Cited

#### U.S. PATENT DOCUMENTS

D. 289,107 4/1987 McAlhany ..... D6/629  
D. 347,320 5/1994 Du Corday ..... D6/634  
5,593,030 1/1997 Tell ..... 206/310

**1 Claim, 6 Drawing Sheets**

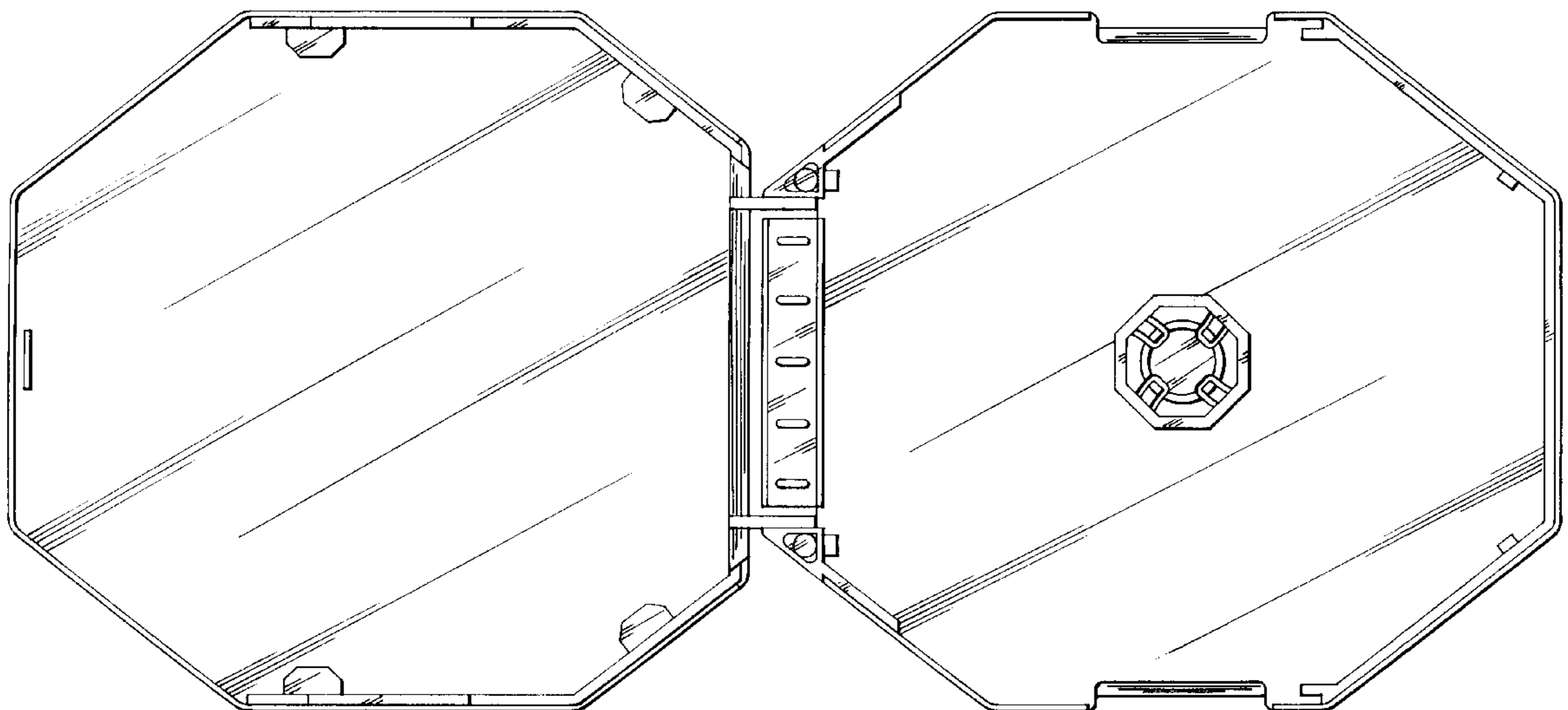


FIG. 1

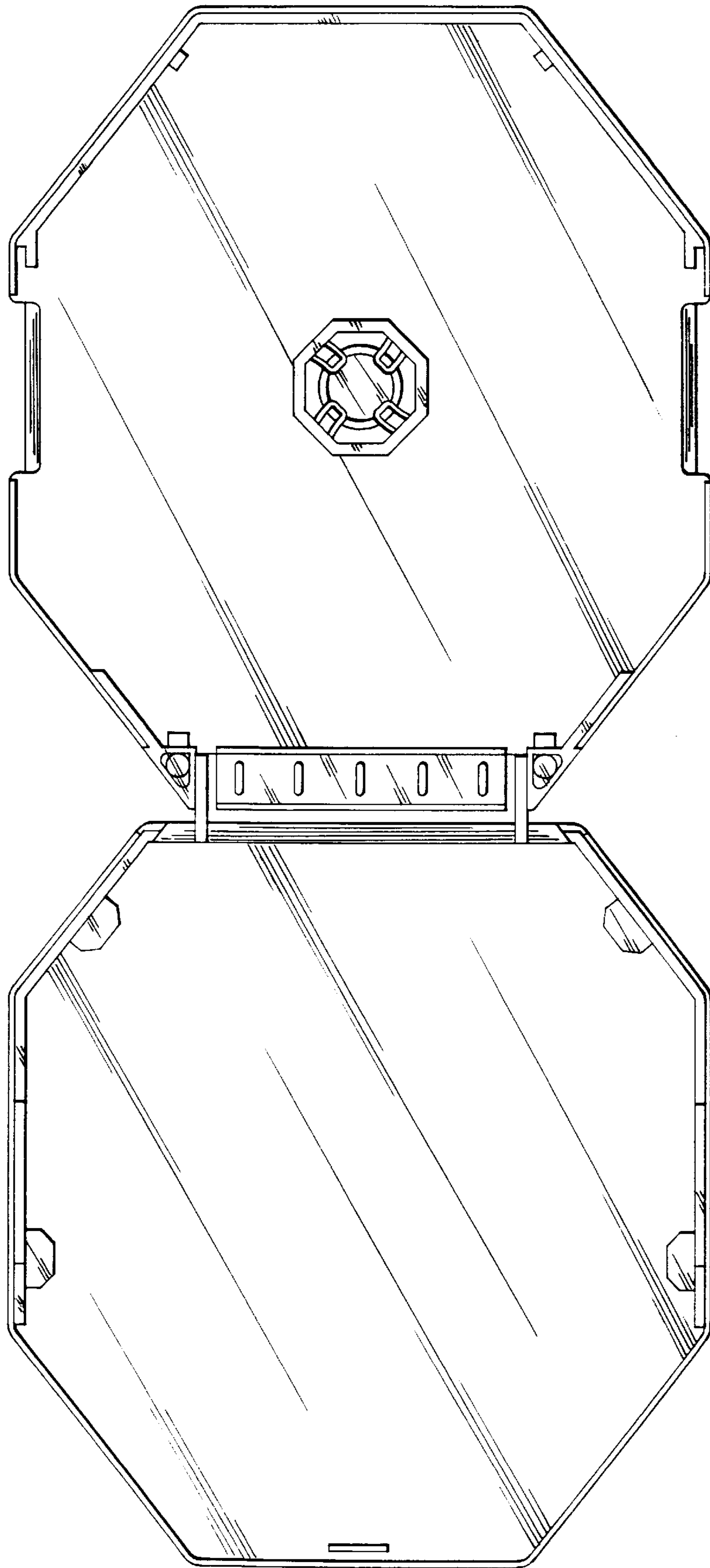


FIG. 2

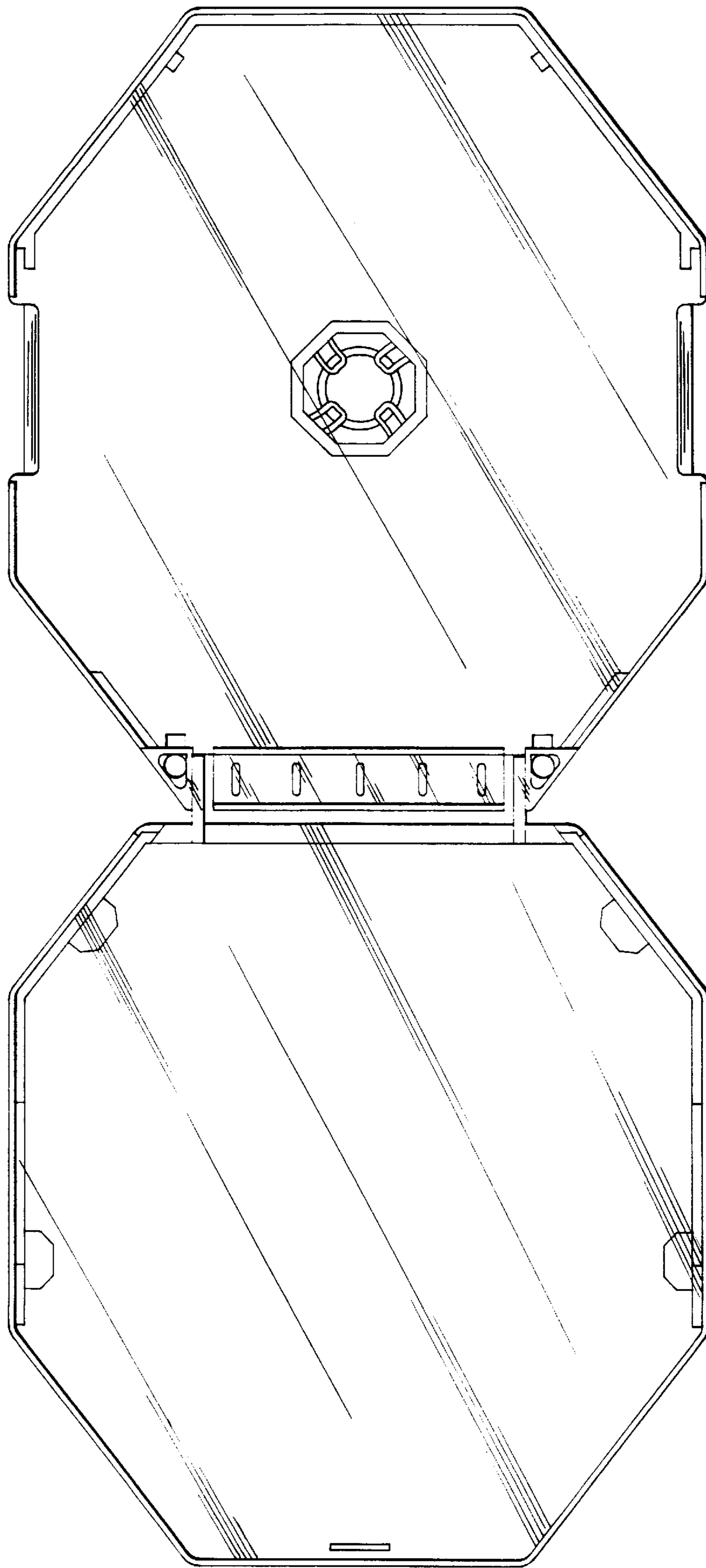


FIG. 3

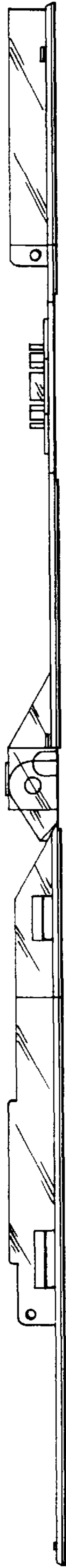


FIG. 4



FIG. 5



FIG. 6



FIG. 7

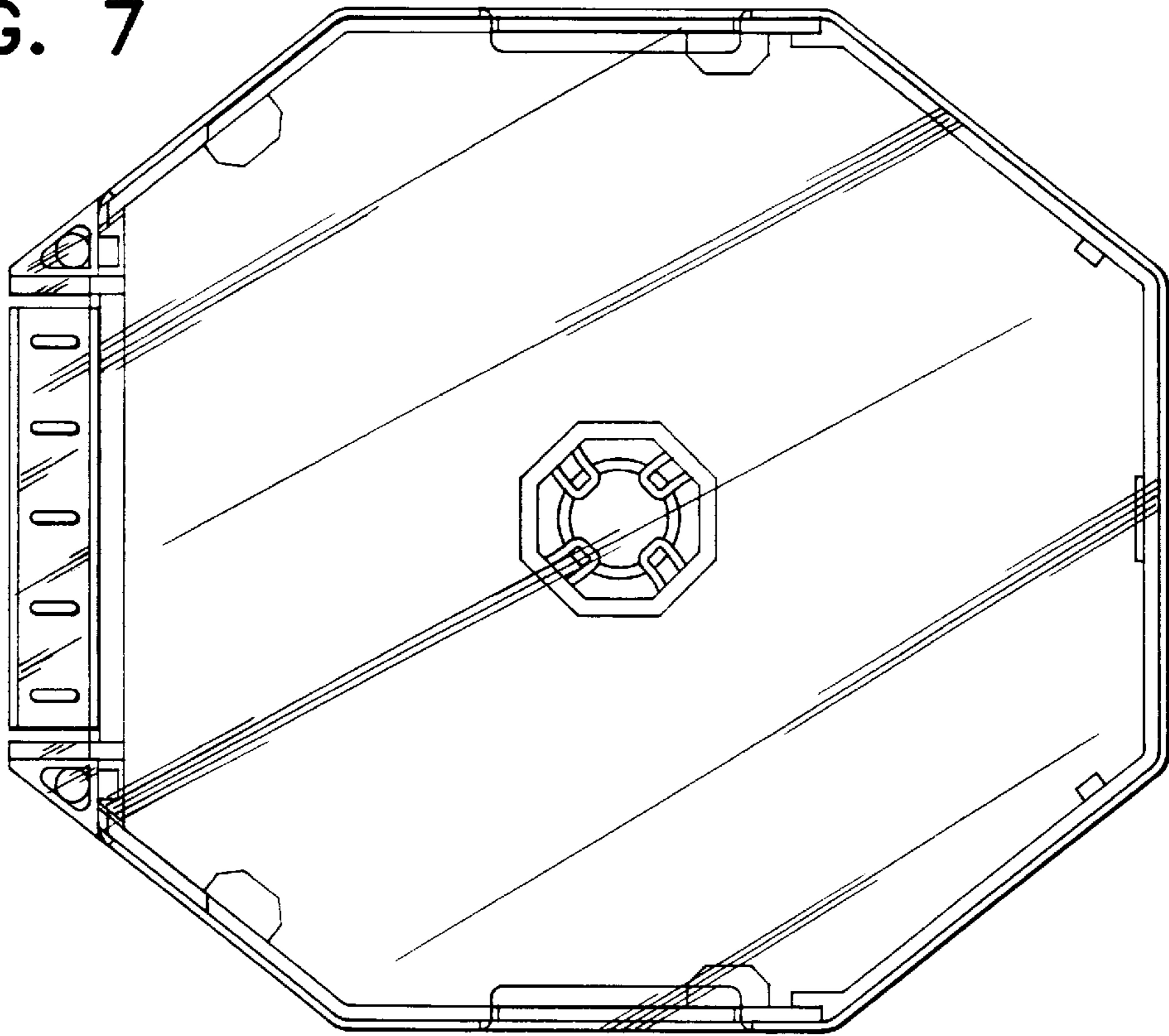


FIG. 8

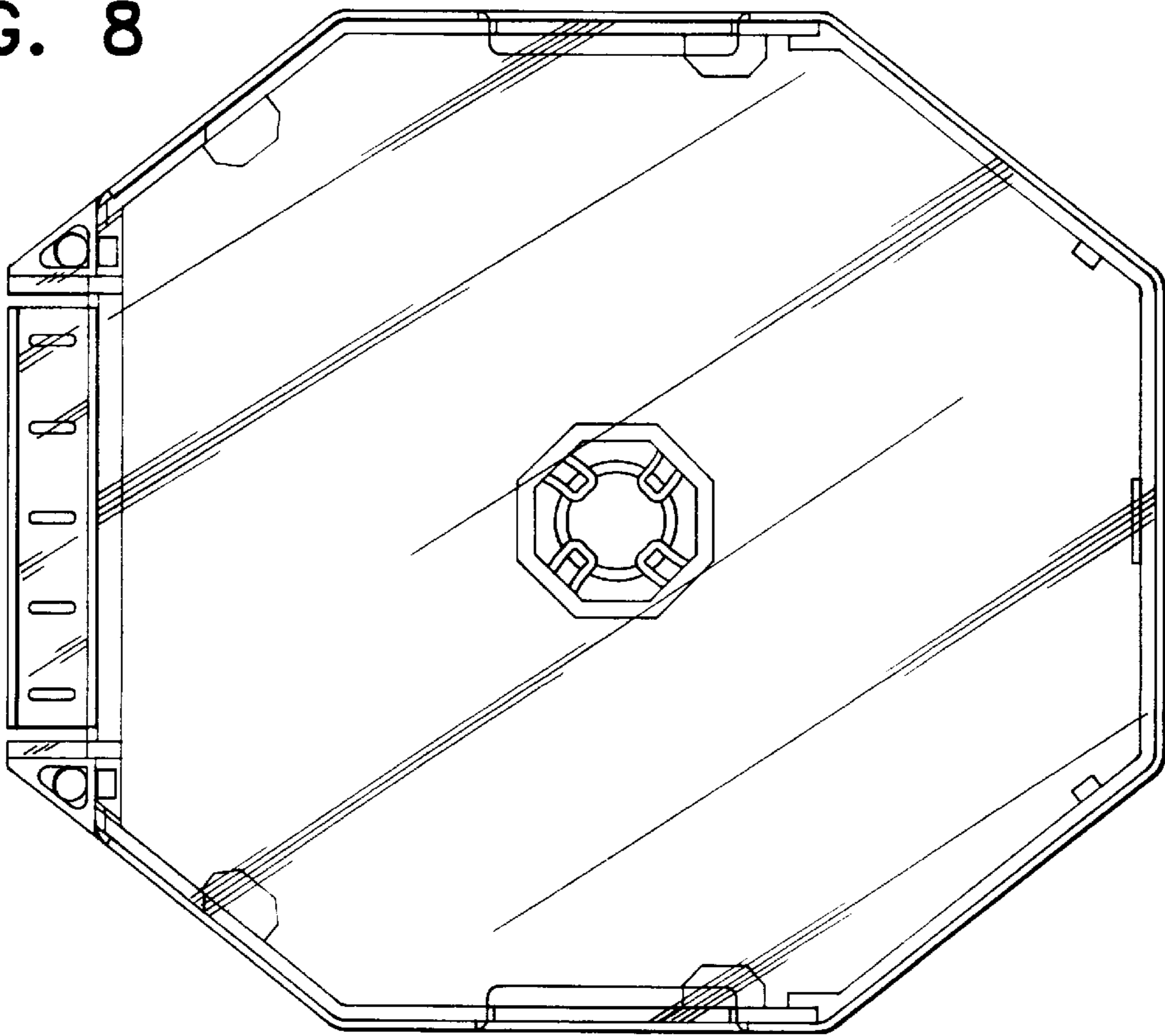


FIG. 9



FIG. 10



FIG. 11

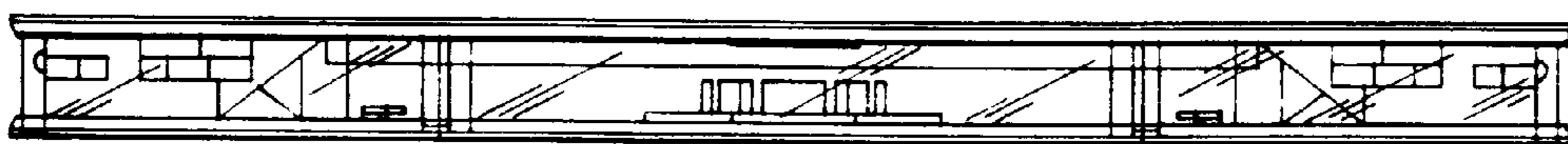


FIG. 12

