



US00D414639S

United States Patent [19]

[11] **Patent Number: Des. 414,639**

Ludbrook et al.

[45] **Date of Patent: ** Oct. 5, 1999**

[54] **LIQUID SOAP DISPENSER**

D. 405,998 2/1999 Feigenbaum D6/545
D. 406,977 3/1999 Chen D6/545

[75] Inventors: **Greg S. Ludbrook**, Fenton; **Wayne Burd**, High Ridge, both of Mo.

Primary Examiner—Marcus A. Jackson
Attorney, Agent, or Firm—Kevin L. Klug

[73] Assignee: **Kollercraft Plastic Products Division of Koller Enterprises, Inc.**, Fenton, Mo.

[57] **CLAIM**

[**] Term: **14 Years**

The ornamental design for a liquid soap dispenser, as shown and described.

[21] Appl. No.: **29/084,724**

DESCRIPTION

[22] Filed: **Mar. 9, 1998**

[51] **LOC (6) Cl.** **06-02**

[52] **U.S. Cl.** **D6/545**

[58] **Field of Search** D6/542-545; 222/92, 222/173, 180, 181.1, 185.1, 154, 156

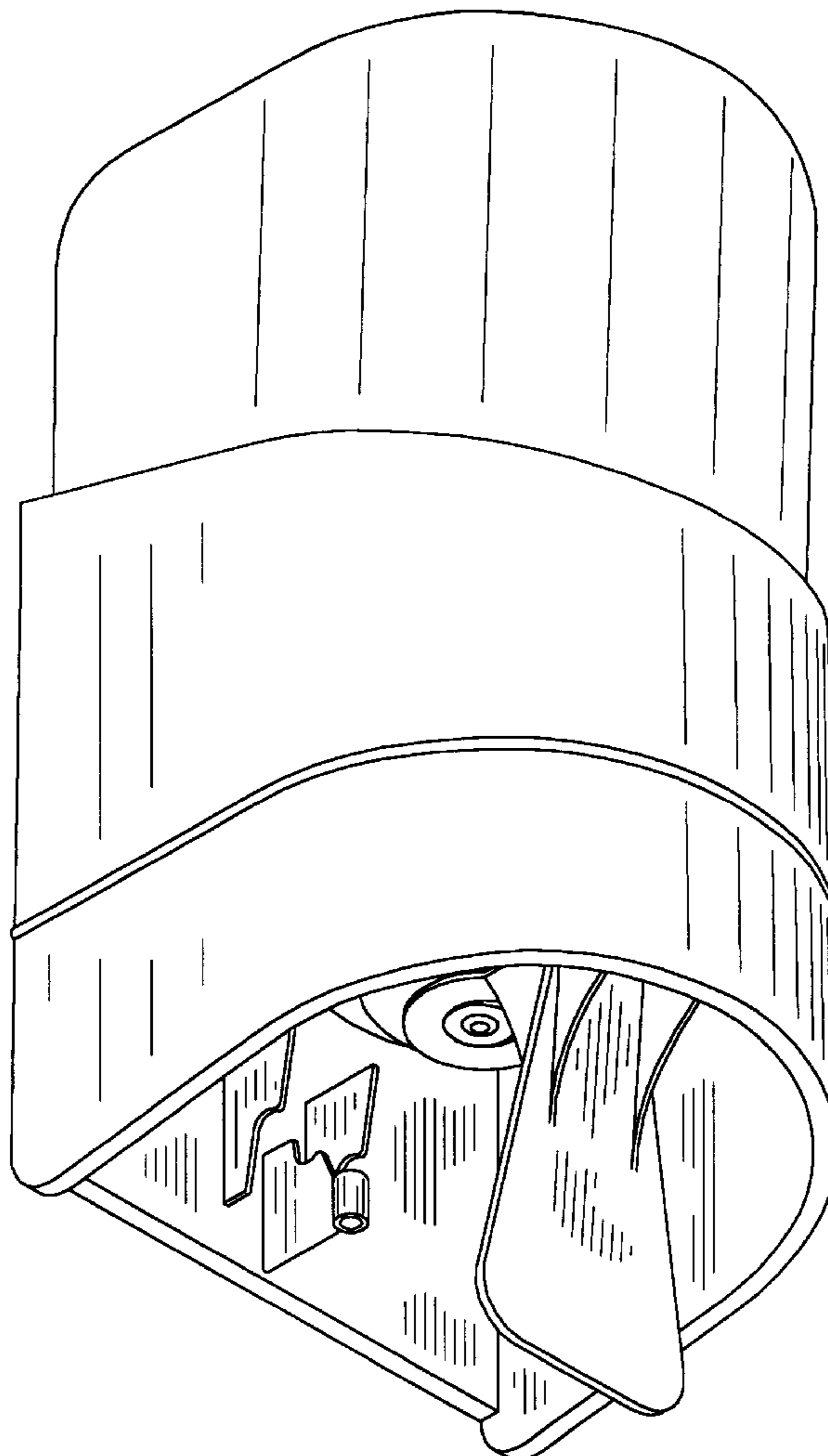
FIG. 1 is a bottom side perspective view of a liquid soap dispenser showing our novel design; FIG. 2 is a top side plan view thereof; FIG. 3 is a front side elevational view thereof; FIG. 4 is a right side elevational view thereof which is symmetric with a left side elevational view; FIG. 5 is a bottom side plan view thereof; FIG. 6 is a top side perspective view thereof which is symmetric; and, FIG. 7 is a back side elevational view thereof.

[56] **References Cited**

U.S. PATENT DOCUMENTS

D. 398,800 9/1998 Phillips et al. D6/545
D. 401,093 11/1998 Arbak et al. D6/545

1 Claim, 7 Drawing Sheets



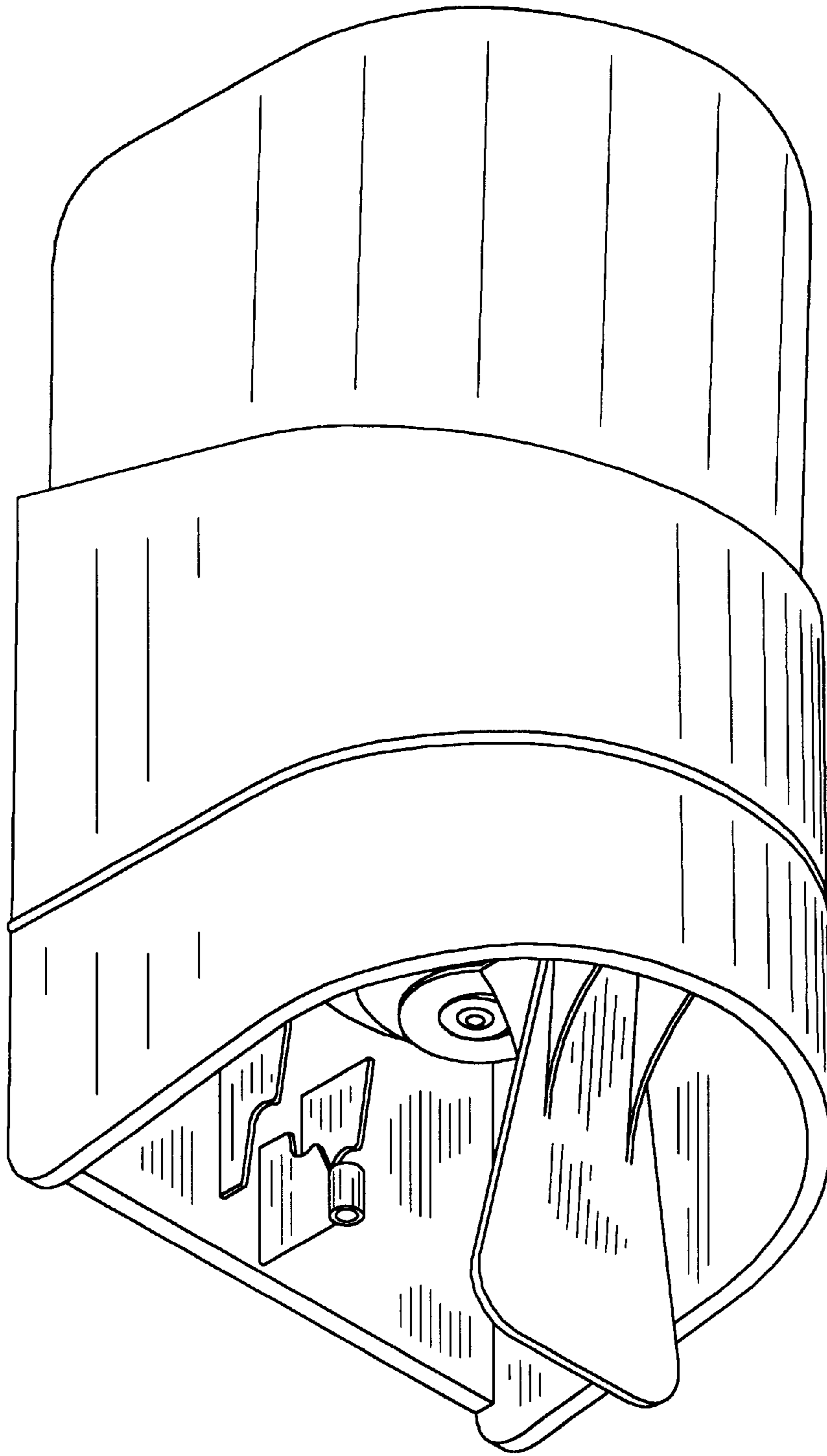


figure 1

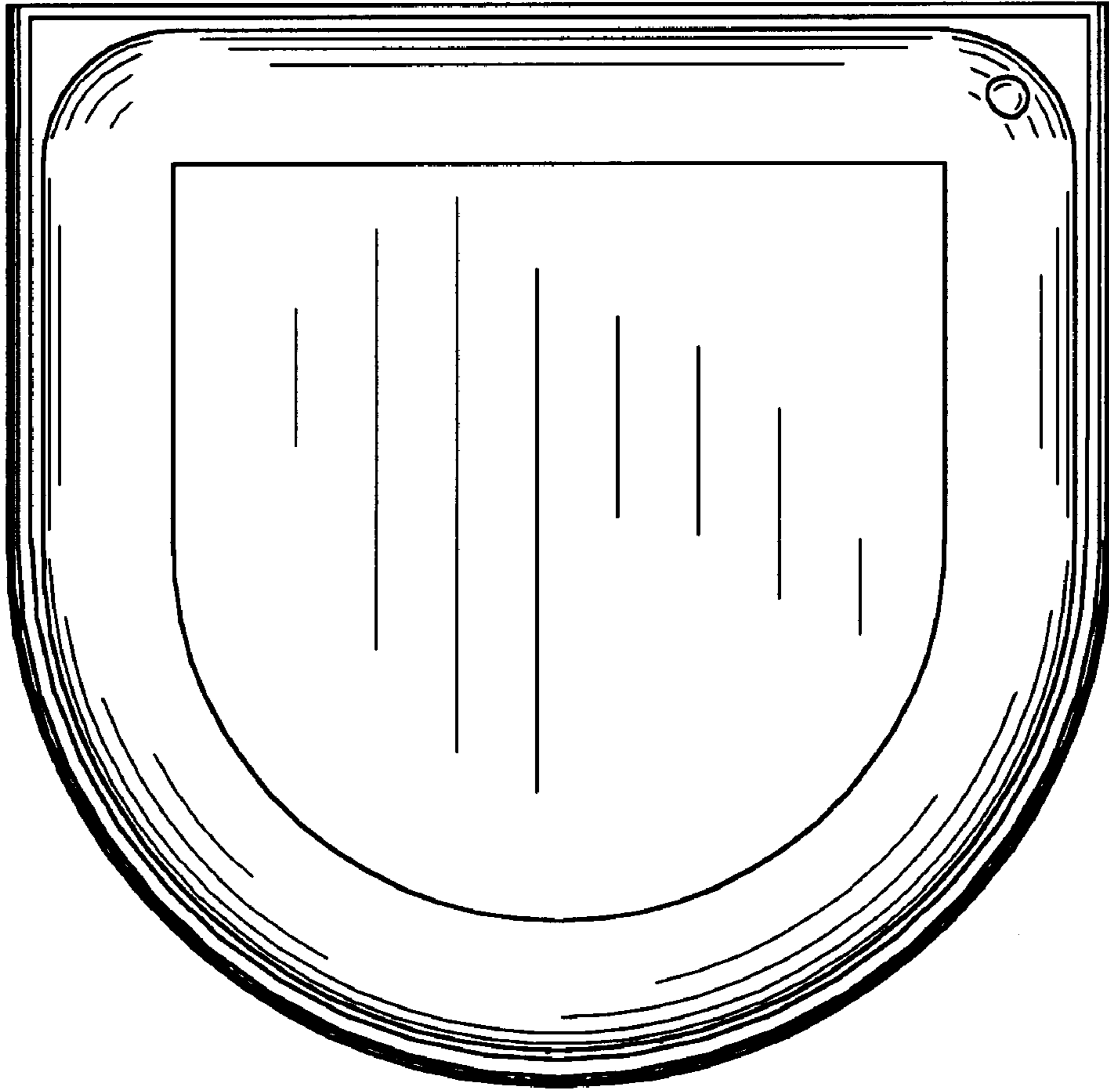


figure 2

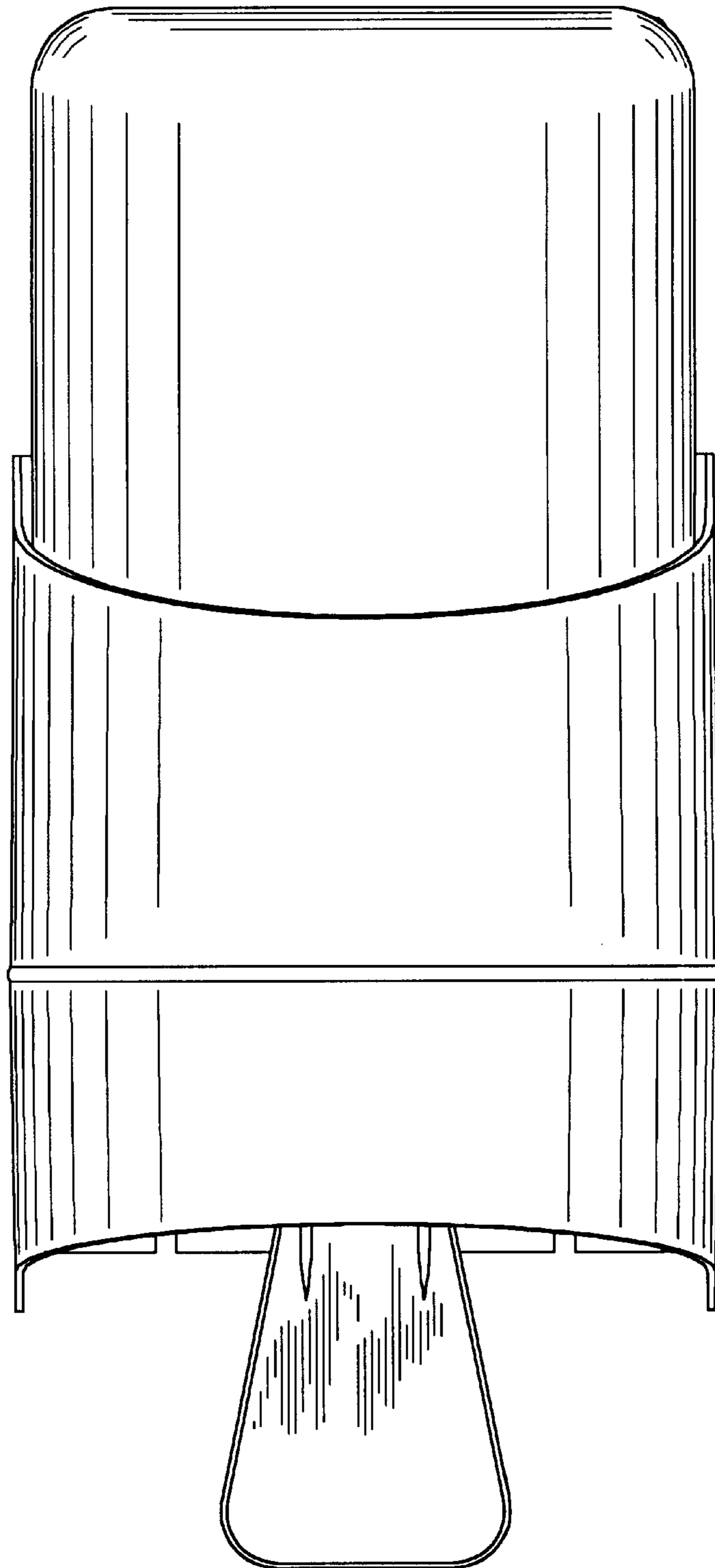


figure 3

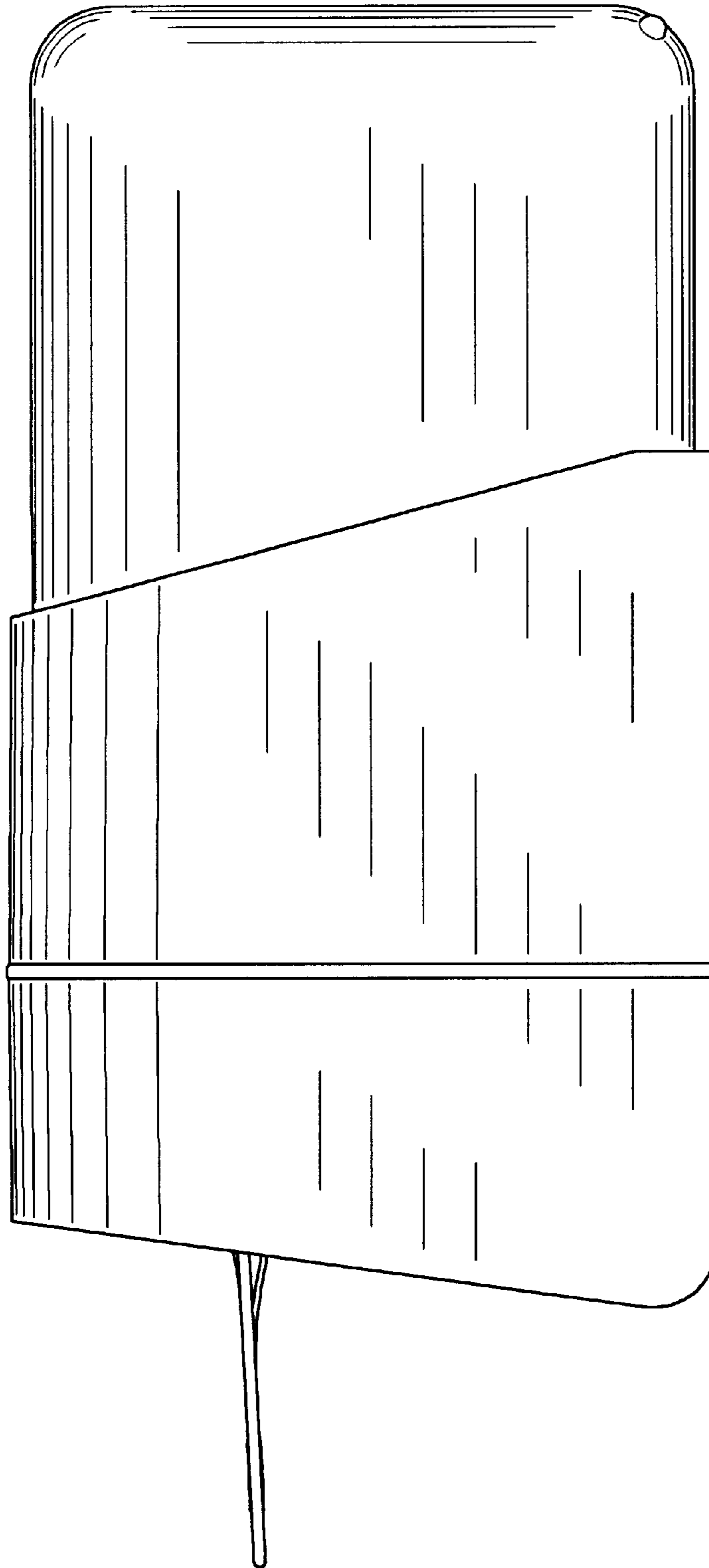


figure 4

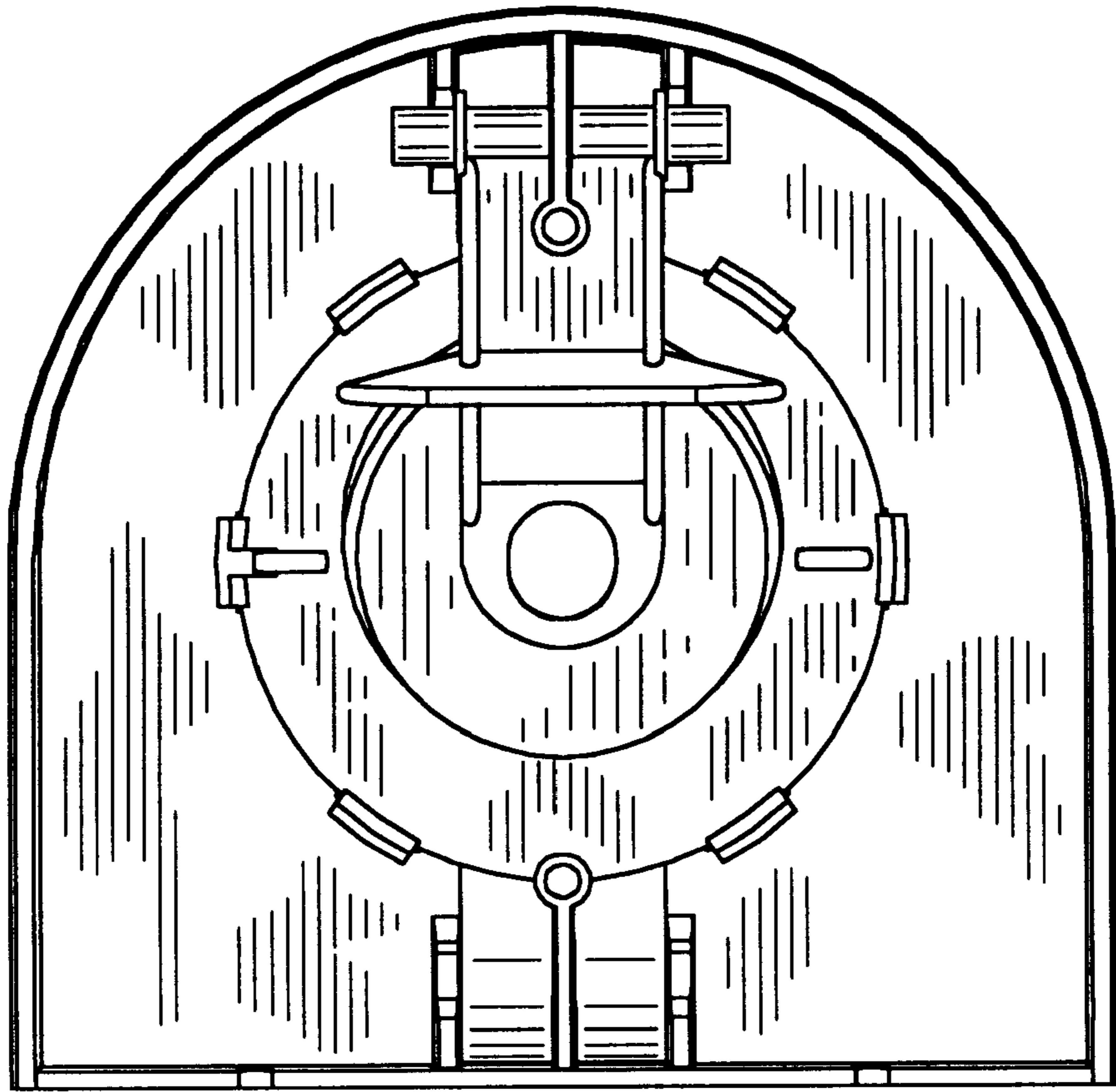


figure 5

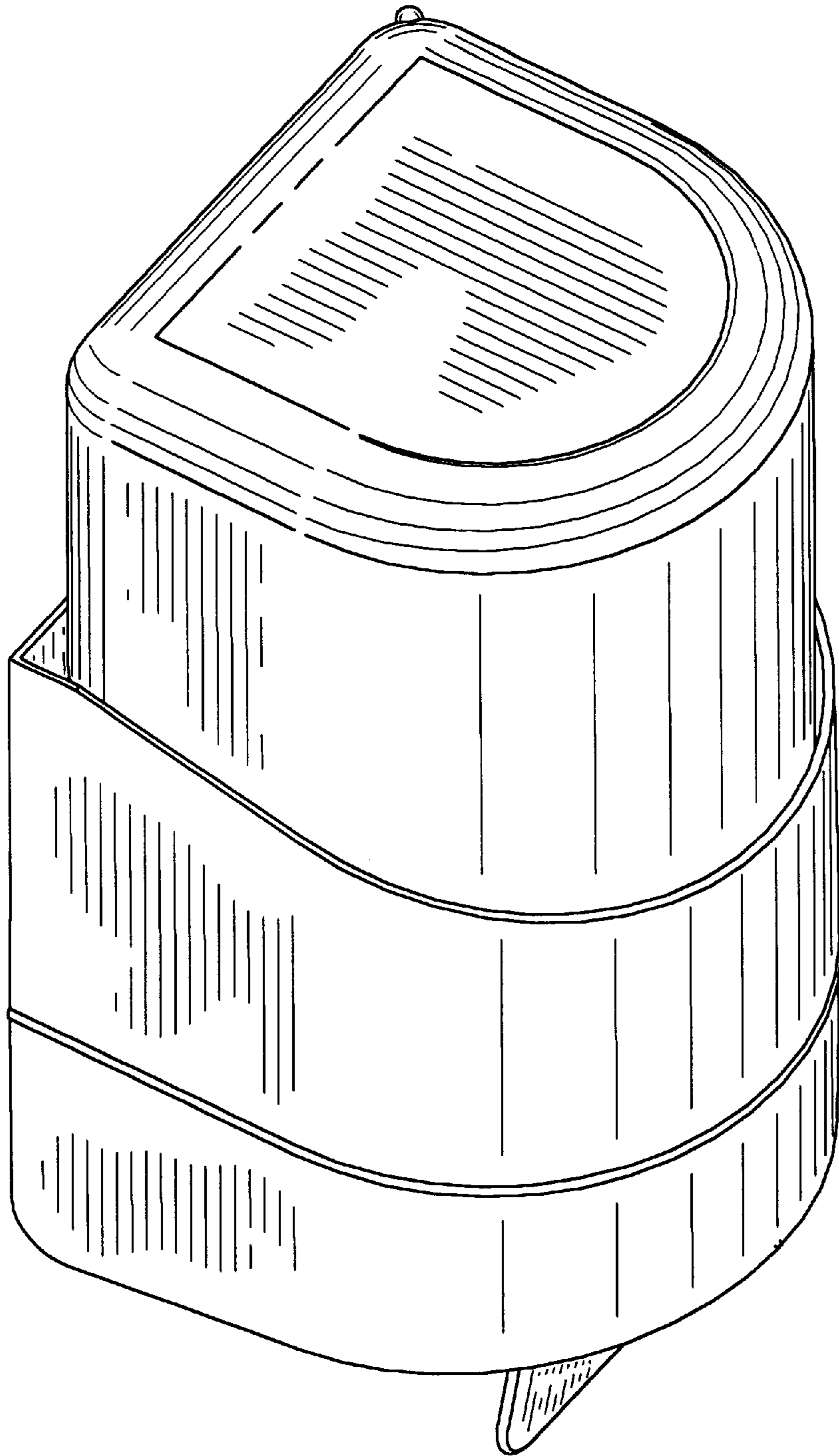


figure 6

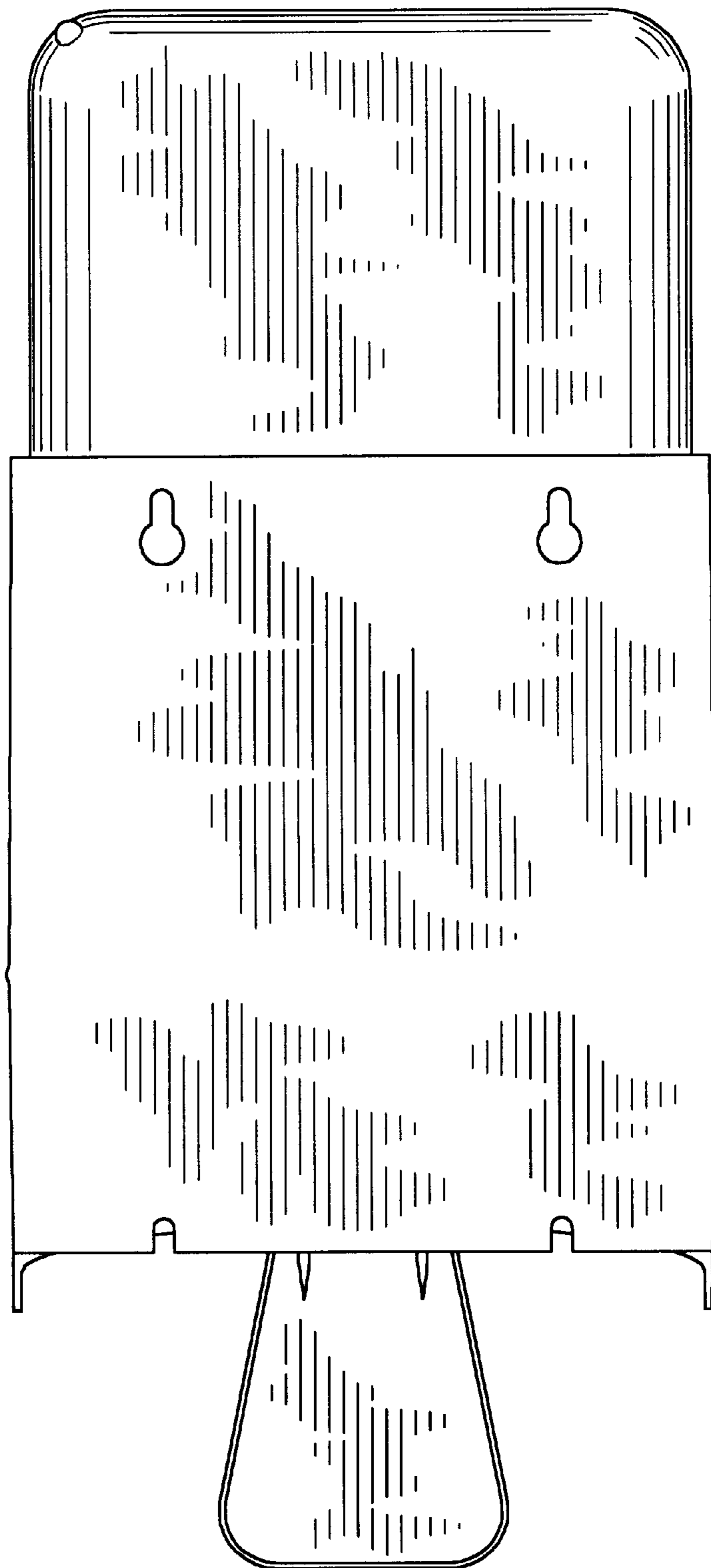


figure 7