



US00D414638S

# United States Patent [19] Brightbill

[11] Patent Number: **Des. 414,638**

[45] Date of Patent: **\*\* Oct. 5, 1999**

[54] **TOILET TISSUE HOLDER**

[75] Inventor: **Keith E. Brightbill**, Stephens City, Va.

[73] Assignee: **Rubbermaid Commercial Products LLC**, Winchester, Va.

[\*\*] Term: **14 Years**

[21] Appl. No.: **29/092,787**

[22] Filed: **Aug. 27, 1998**

[51] **LOC (6) Cl.** ..... **07-07**

[52] **U.S. Cl.** ..... **D6/523**

[58] **Field of Search** ..... D6/518, 523; 312/34.8;  
242/570, 590, 597, 600; 206/389; 211/13.1,  
86, 54.1; 248/309.2

1,684,190	9/1928	Moser .	
2,477,362	7/1949	Cavalieri .....	242/55.2
2,518,328	8/1950	Janois .....	242/590 X
2,632,605	3/1953	Lee .....	355/55.2
3,398,908	8/1968	Thompson .....	242/55.2
5,402,978	4/1995	Larson .....	248/309.2

**OTHER PUBLICATIONS**

Catalog page, Toilet tissue holders; Rubbermaid Incorporated, 1147 Akron Road, Wooster, Ohio 44691. Publication date 1991.

*Primary Examiner*—Brian N. Vinson  
*Attorney, Agent, or Firm*—Richard B. O’Planick

[57] **CLAIM**

The ornamental design for a toilet tissue holder, as shown and described.

**DESCRIPTION**

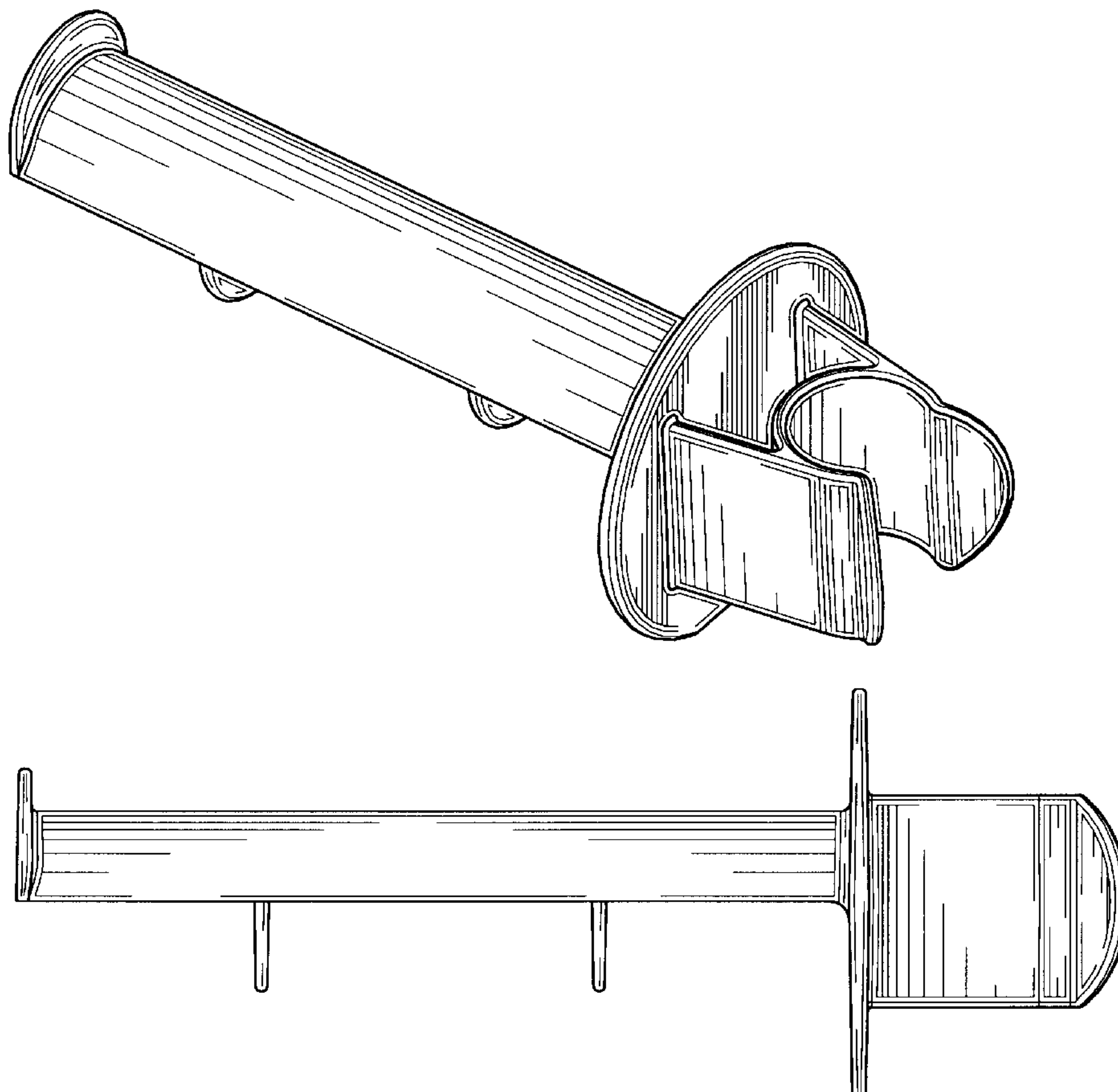
FIG. 1 is a top right front perspective view of a toilet tissue holder showing my new design;  
FIG. 2 is a top plan view thereof;  
FIG. 3 is a front elevational view thereof; the rear elevational view being a mirror image;  
FIG. 4 is a left side elevational view thereof;  
FIG. 5 is a right side elevational view thereof; and,  
FIG. 6 is a bottom plan view thereof.

**1 Claim, 5 Drawing Sheets**

[56] **References Cited**

**U.S. PATENT DOCUMENTS**

D. 155,897	11/1949	Huntington .....	D4/3
D. 205,497	8/1966	Webber .....	D6/523
D. 218,331	8/1970	Uitz .....	D33/31
D. 254,413	3/1980	Pool .....	D6/97
D. 277,347	1/1985	Thompson .....	D6/97
D. 277,622	2/1985	Servadio .....	D6/523 X
D. 304,402	11/1989	Hoose .....	D6/523
D. 341,739	11/1993	Teague .....	D6/523
D. 369,500	5/1996	Hansen, II .....	D6/523
D. 386,340	11/1997	Schneider .....	D6/523 X



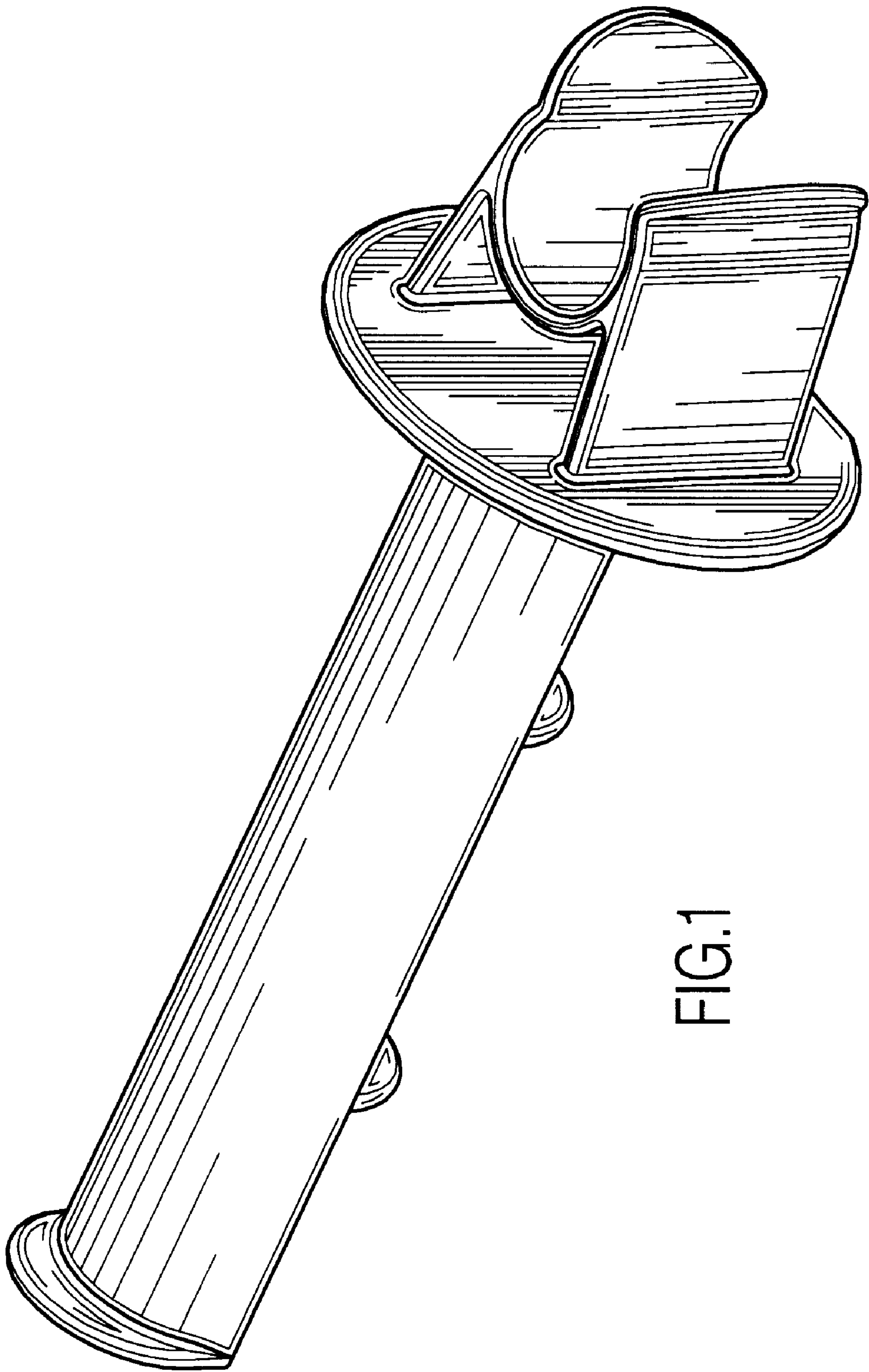


FIG.1

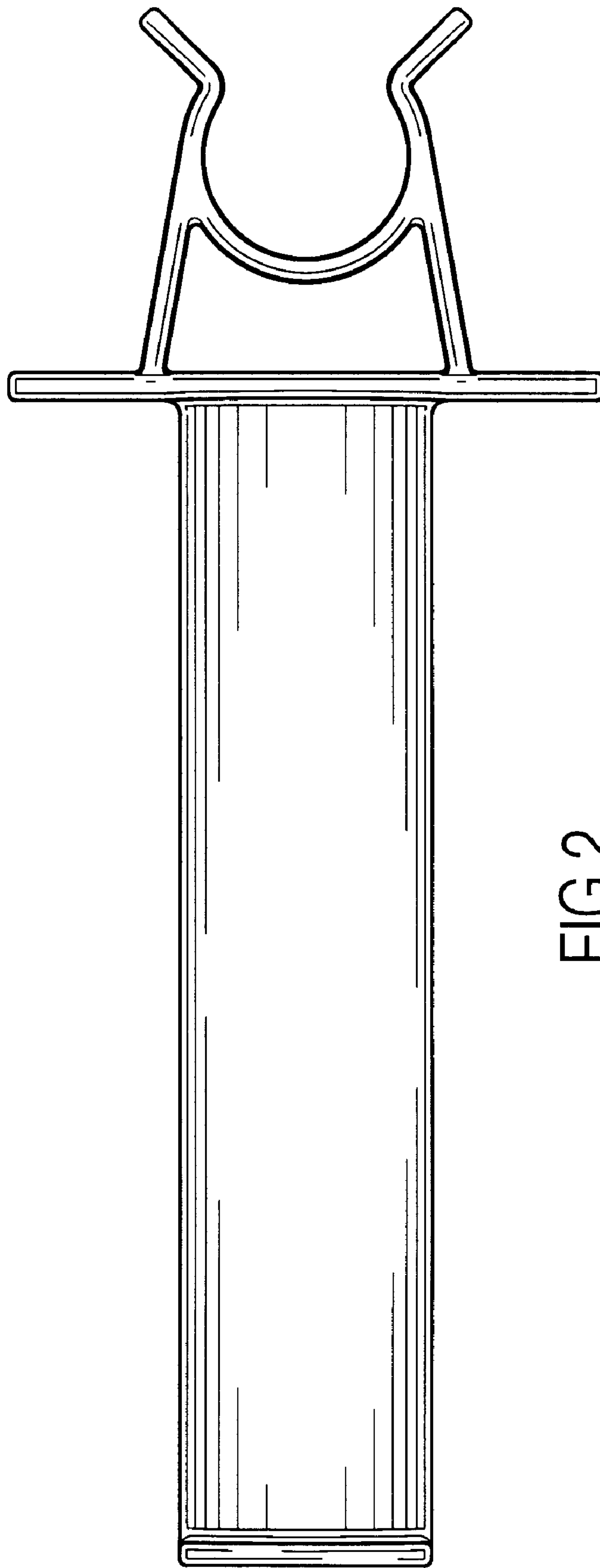


FIG.2

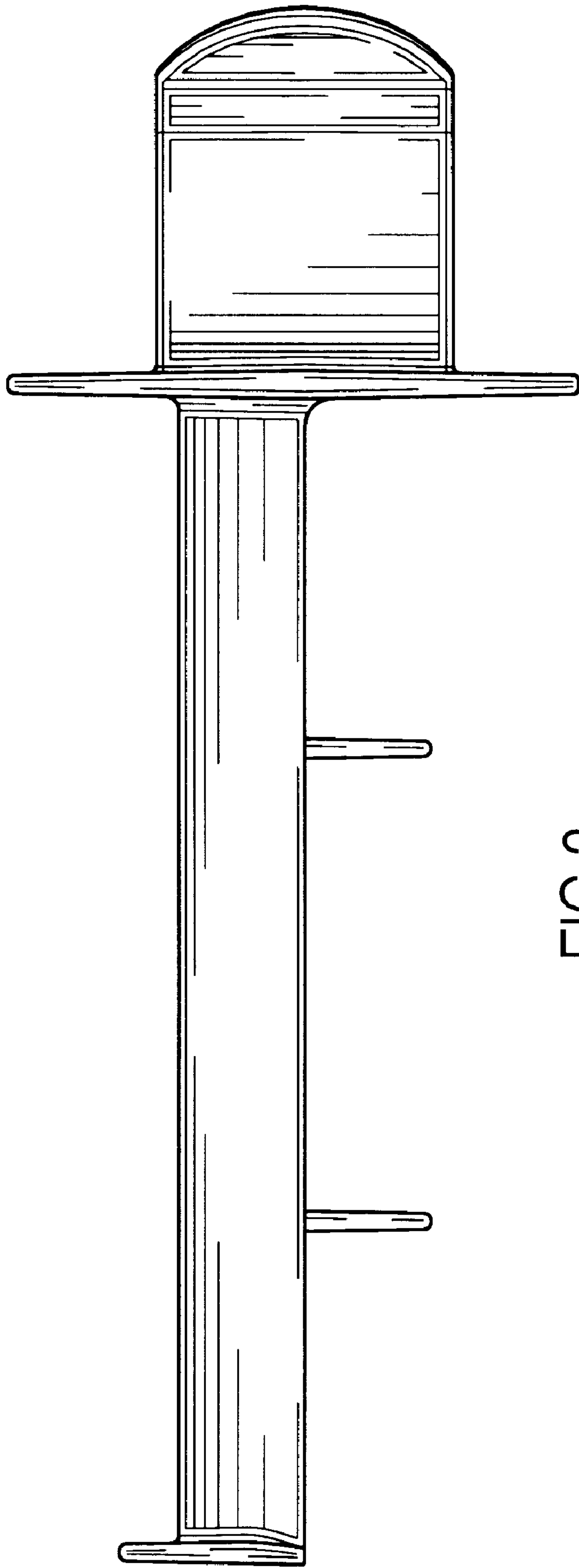


FIG.3

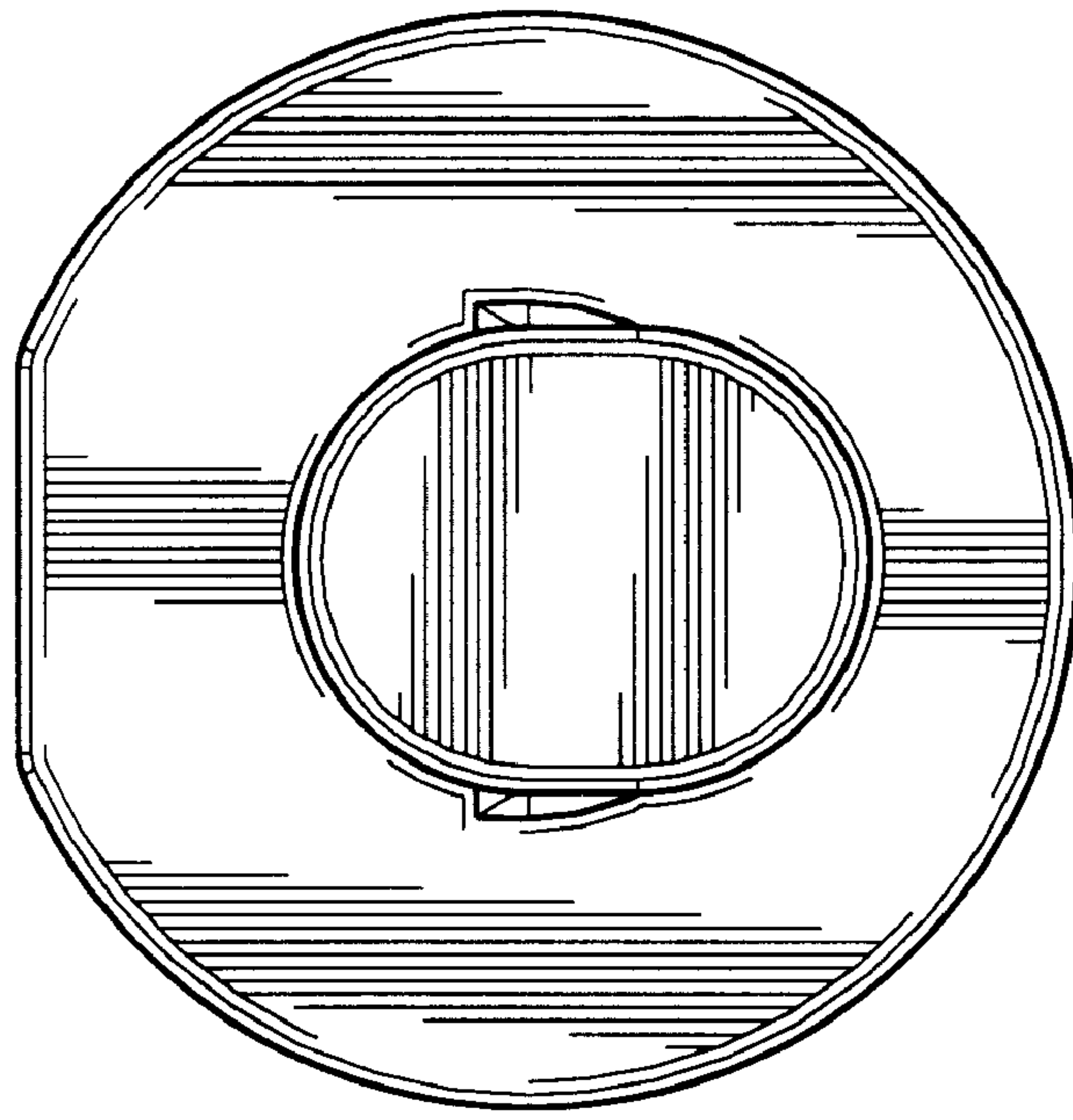


FIG. 4

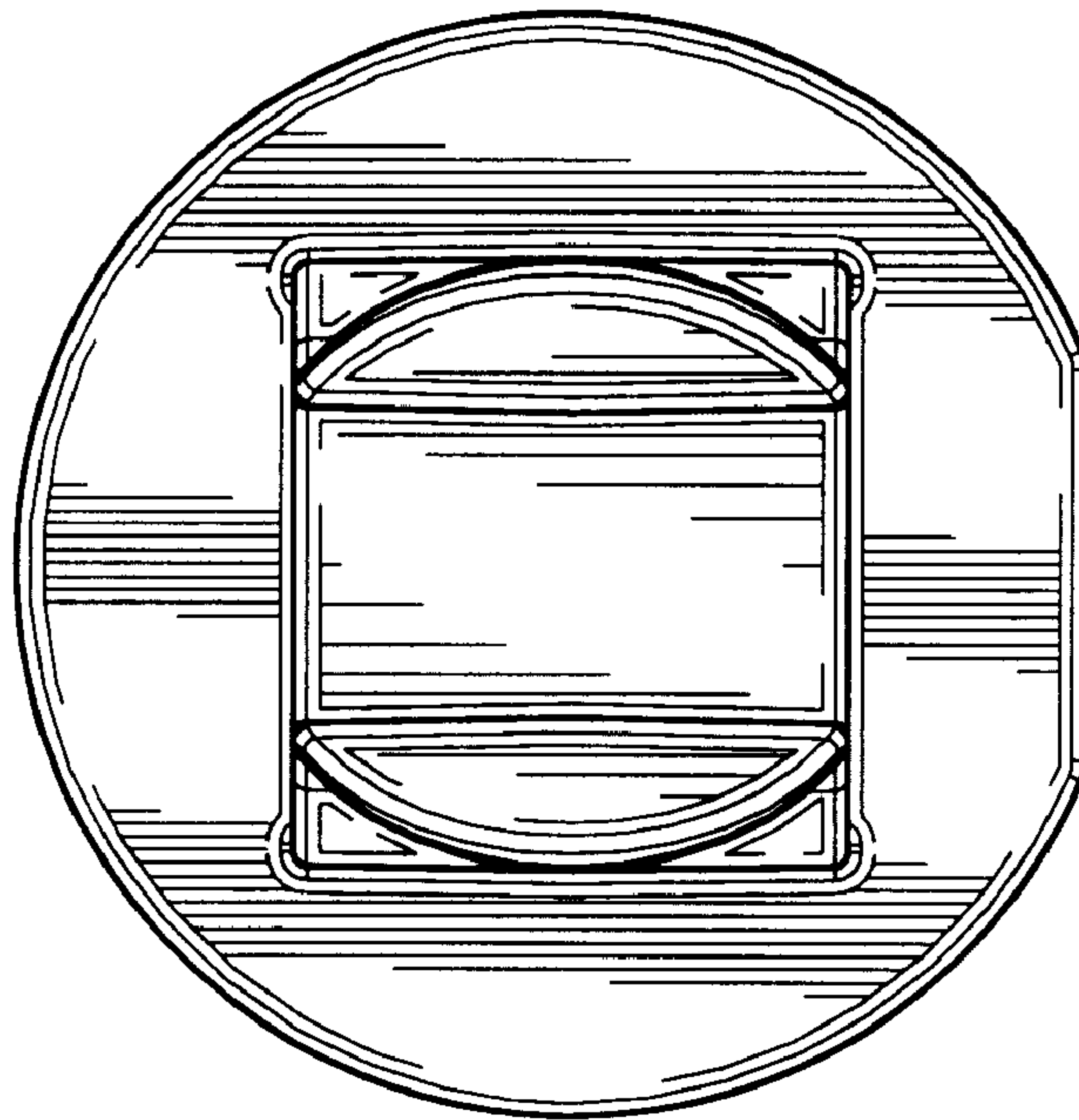


FIG. 5

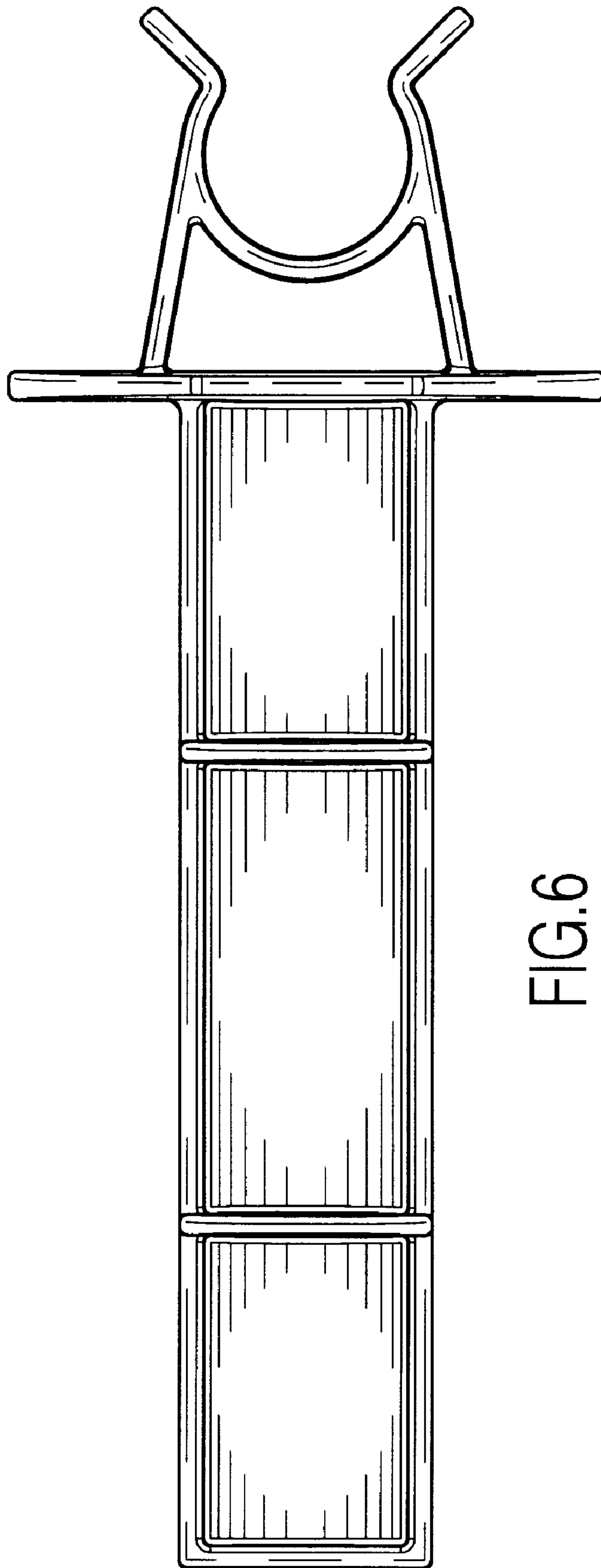


FIG.6