



US00D414636S

United States Patent [19]

Wiese

[11] **Patent Number: Des. 414,636**

[45] **Date of Patent: ** Oct. 5, 1999**

[54] **TUBULAR DISPLAY AND DISPENSER**

D. 365,952 1/1996 Gagnon et al. D6/515
3,228,556 1/1966 Nonestied D6/515

[75] Inventor: **Lee R. Wiese**, Upper Nyack, N.Y.

Primary Examiner—Marcus A. Jackson
Attorney, Agent, or Firm—Arthur Jacob

[73] Assignee: **Henschel-Steinau, Inc.**, Englewood, N.J.

[57] **CLAIM**

[**] Term: **14 Years**

The ornamental design for a tubular display and dispenser as shown and described.

[21] Appl. No.: **29/095,665**

DESCRIPTION

[22] Filed: **Oct. 28, 1998**

[51] **LOC (6) Cl.** **06-02**

[52] **U.S. Cl.** **D6/515**

[58] **Field of Search** D7/672; D24/34;
D6/515-523; 211/86-89; 221/66, 282, 283;
222/180; 206/217, 535, 828

FIG. 1 is a front and left-side perspective view showing my new design;
FIG. 2 is a rear and right-side perspective view thereof;
FIG. 3 is a top plan view thereof;
FIG. 4 is a front elevational view thereof;
FIG. 5 is a rear elevational view thereof;
FIG. 6 is a left side elevational view thereof, the right side elevational view being a mirror-image thereof; and,
FIG. 7 is a bottom plan view thereof.
The broken lines in the drawing show visible environmental structure and are not a part of the design.

[56] **References Cited**

U.S. PATENT DOCUMENTS

- D. 224,340 7/1972 Swirple D6/515
- D. 297,862 9/1988 Dryden D24/34
- D. 309,853 8/1990 Kolanda et al. D7/672

1 Claim, 4 Drawing Sheets

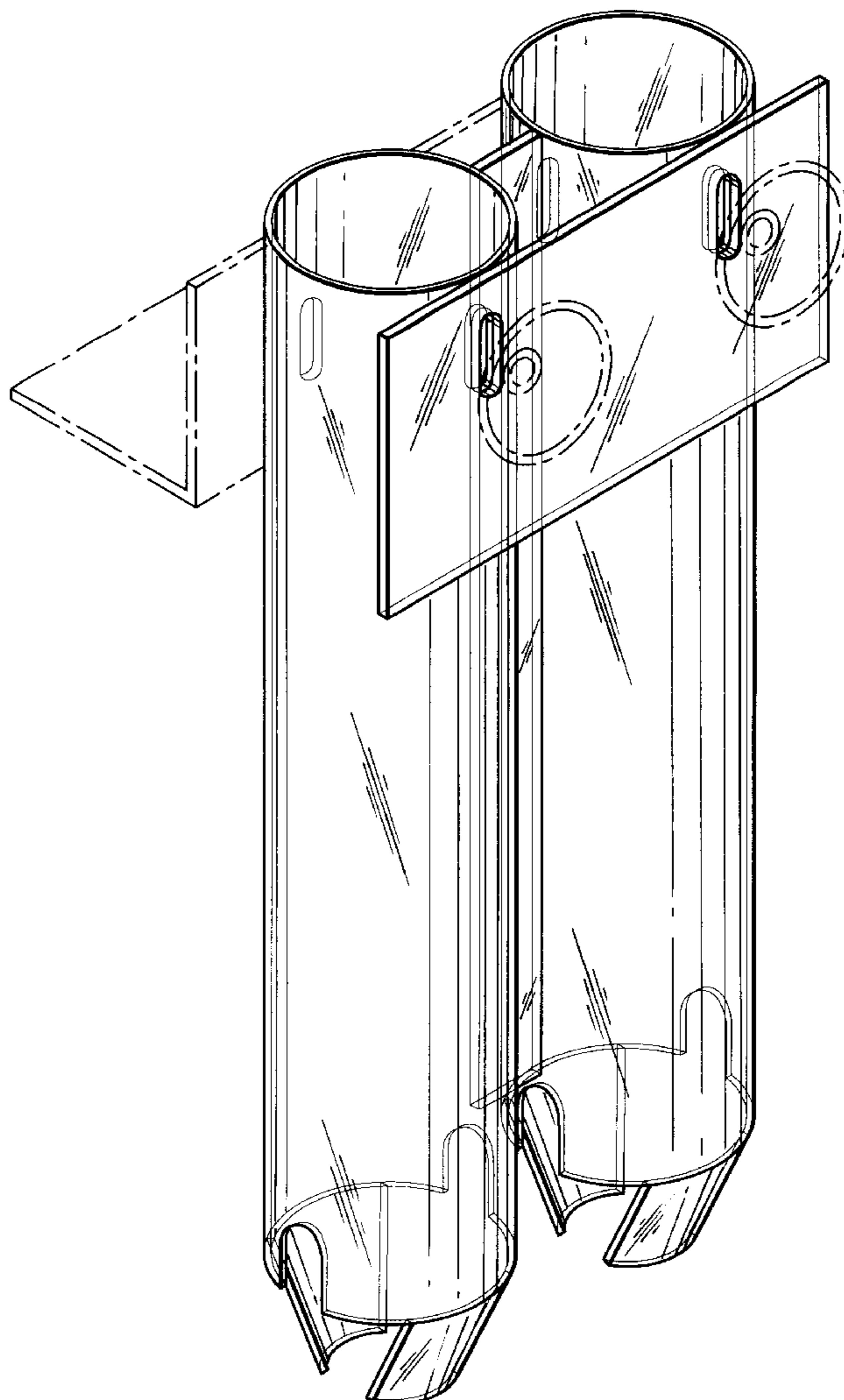


FIG. 1

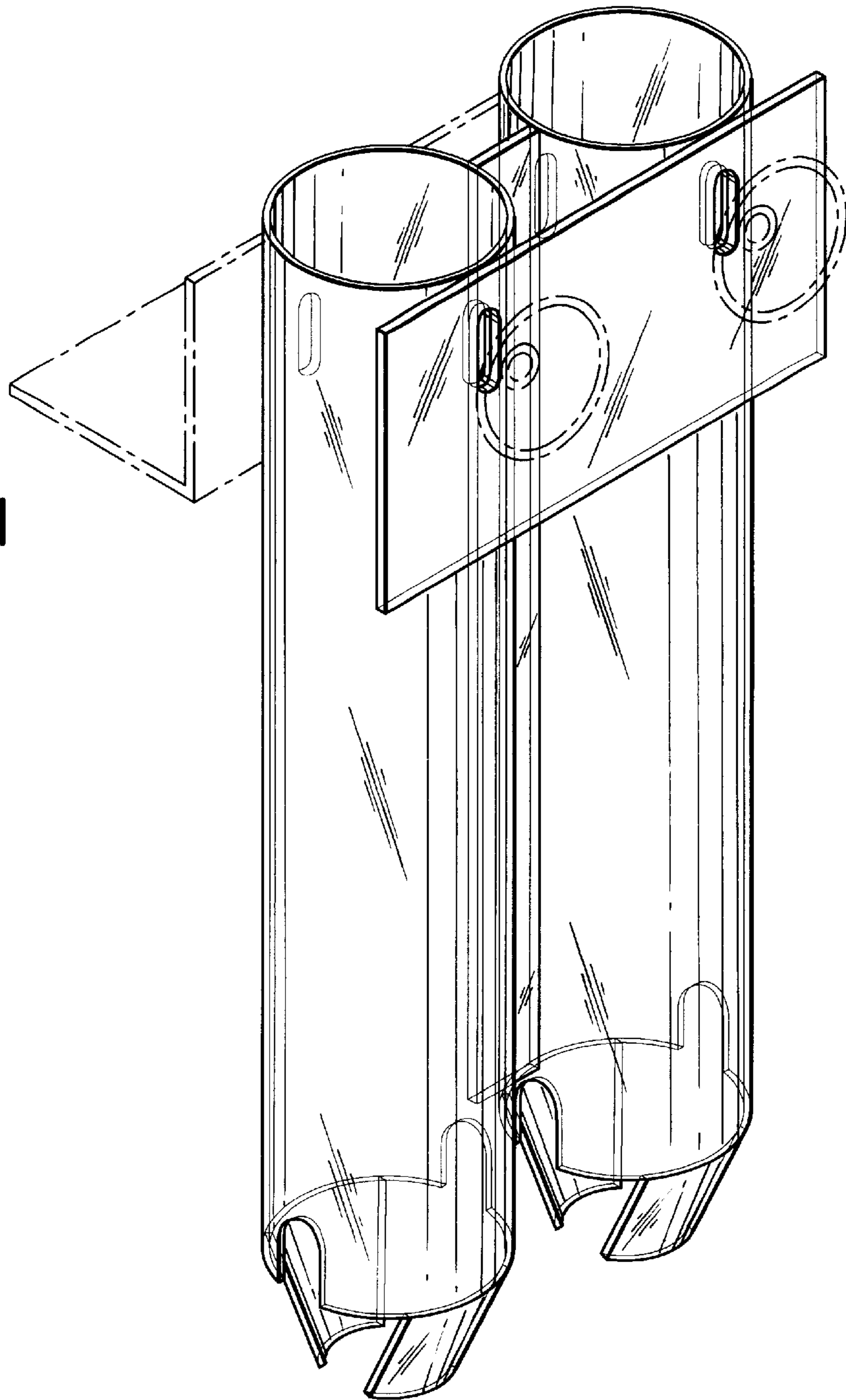
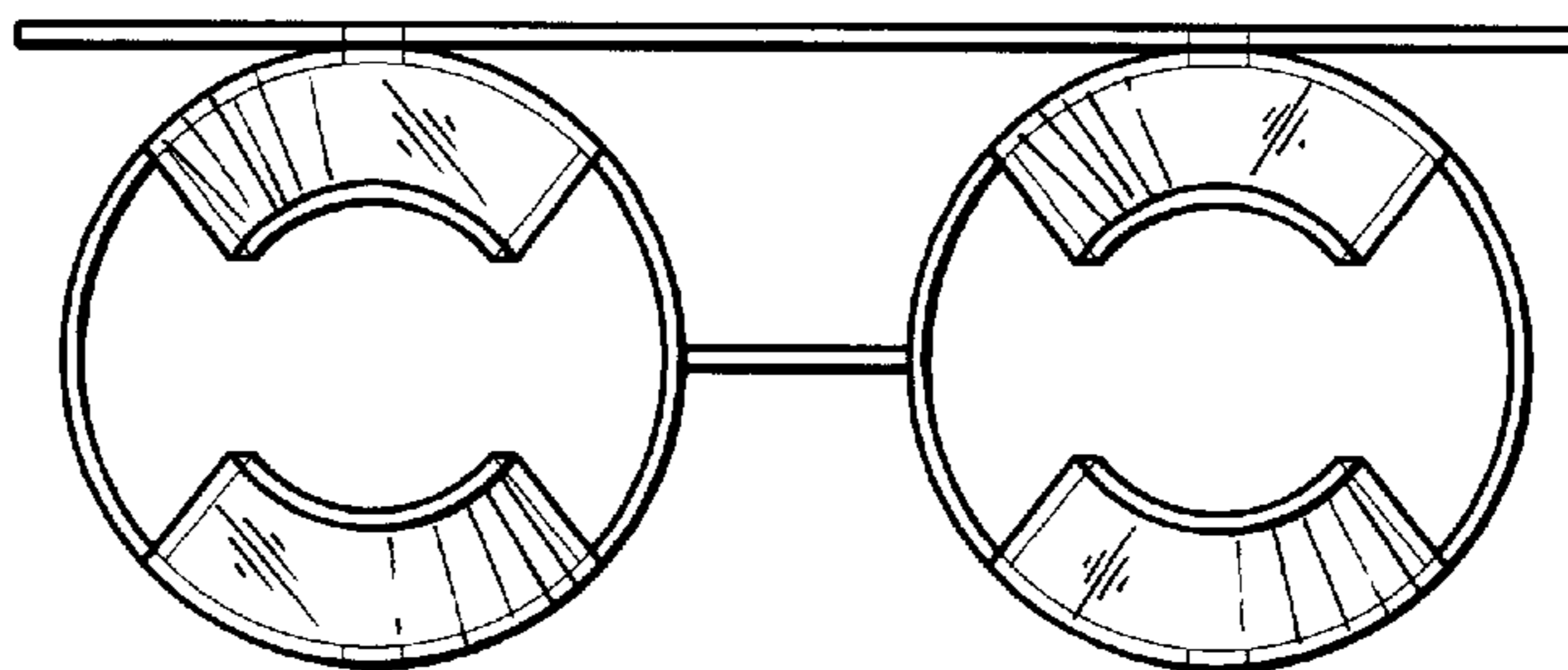


FIG. 7



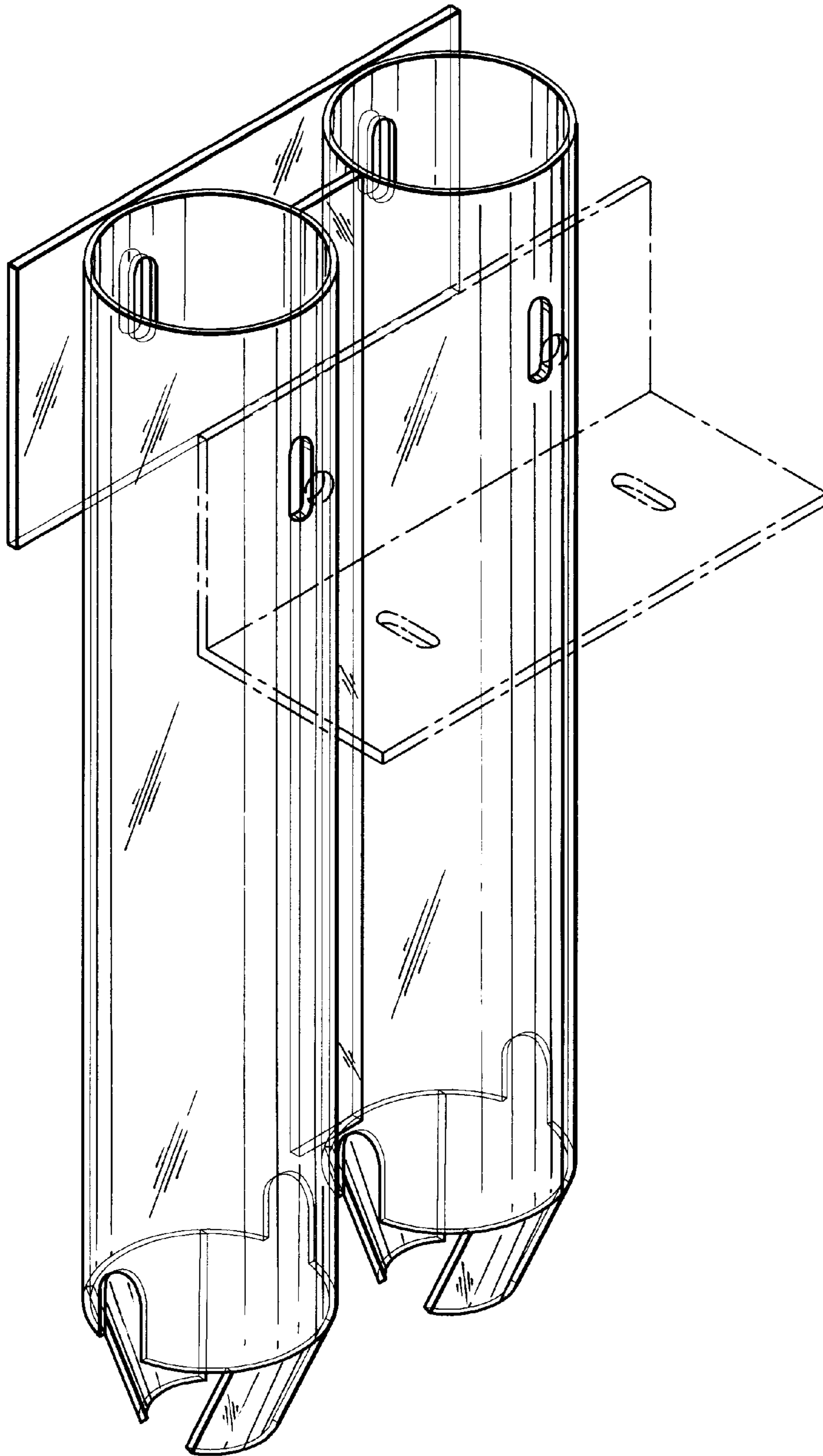


FIG.2

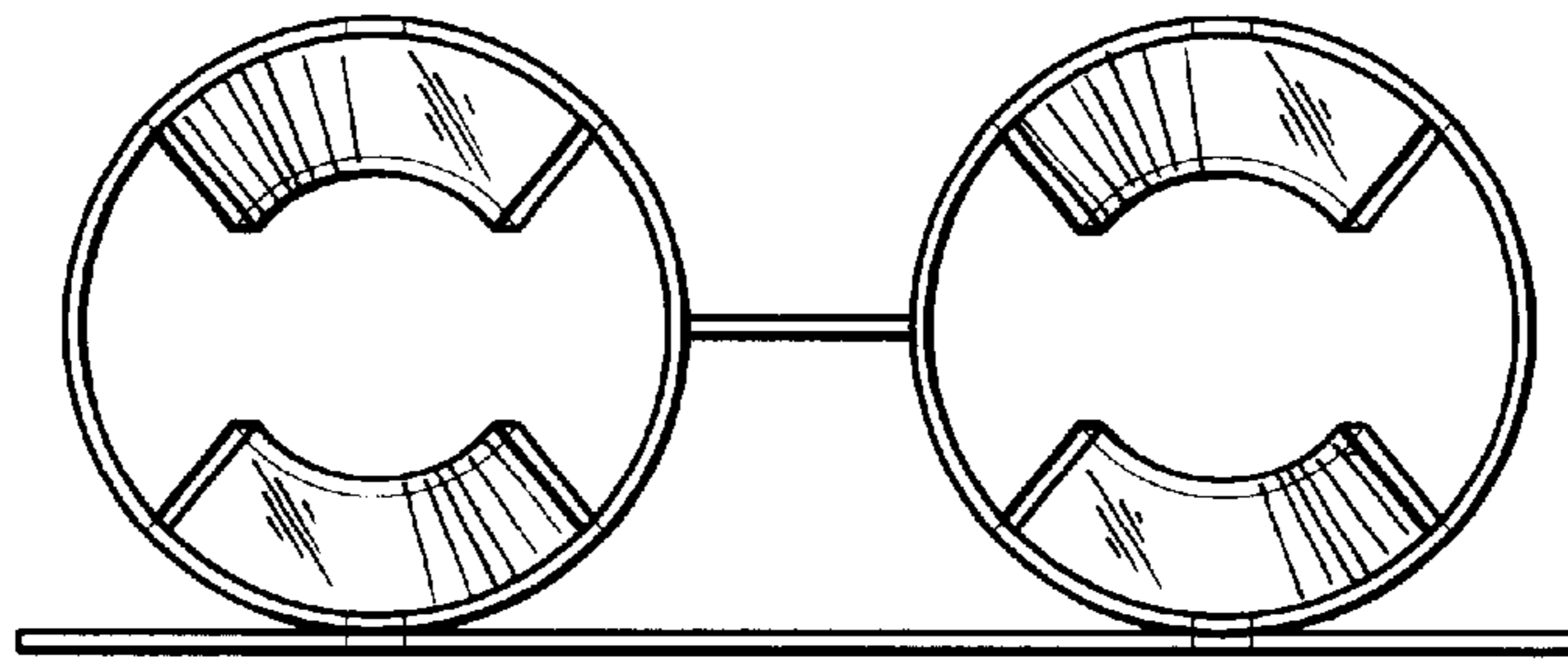


FIG. 3

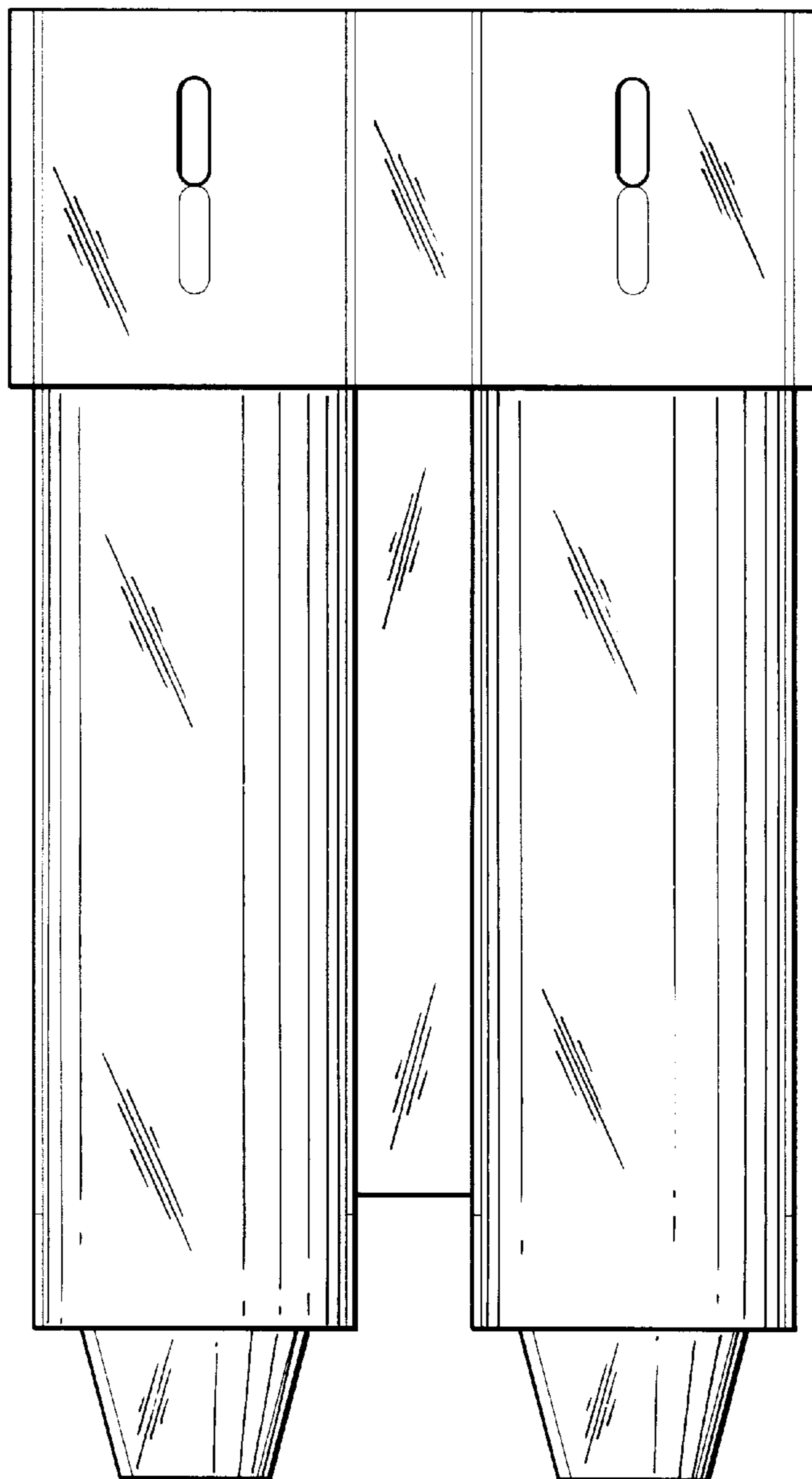


FIG. 4

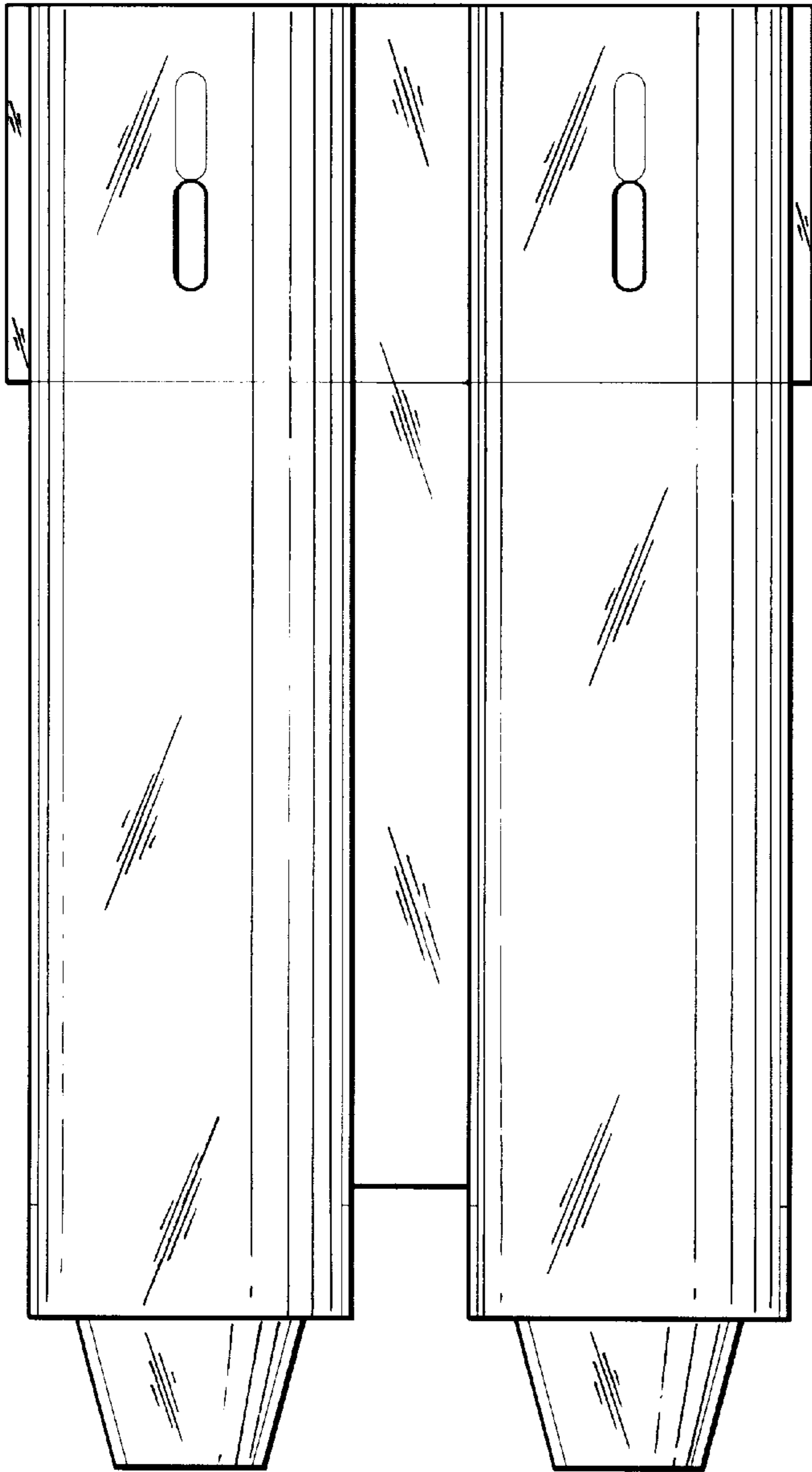


FIG. 5

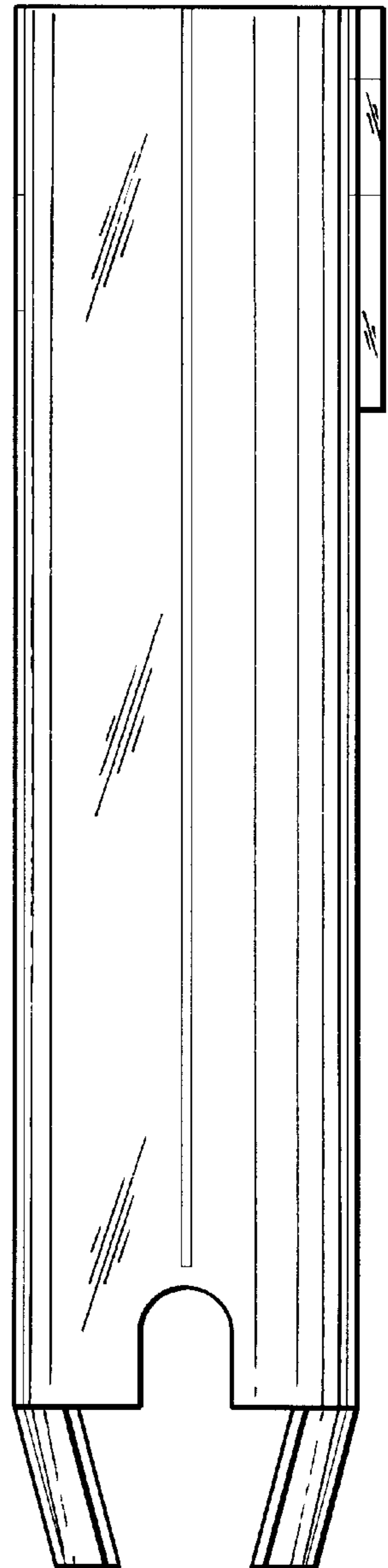


FIG. 6