



US00D414633S

United States Patent [19]

Patel et al.

[11] **Patent Number: Des. 414,633**

[45] **Date of Patent: ** Oct. 5, 1999**

[54] **DRAWER**

[75] Inventors: **Shailesh Patel**, Glenview; **Michael Thuma**, Des Plaines; **William Duncan Webb, II**, Chicago, all of Ill.; **Philip Charles Walker**, Arlington, Mass.; **David Gregory Honan**, Concord, Mass.; **Andrew Phillip Tosh**, Arlington, Mass.

[73] Assignee: **Selfix, Inc.**, Chicago, Ill.

[**] Term: **14 Years**

[21] Appl. No.: **29/098,947**

[22] Filed: **Jan. 8, 1999**

[51] **LOC (6) Cl.** **06-04**

[52] **U.S. Cl.** **D6/510**

[58] **Field of Search** D6/432, 436-439; 559/560, 561, 441, 445-448, 477-479; 211/1, 13.1, 90.1, 90.2, 86.01, 126.1, 126.14, 134, 186-188, 153; 312/204, 257.1, 107-111, 237; 108/59, 60, 91, 50.11, 108-11, 157.11, 157.13

[56] **References Cited**

U.S. PATENT DOCUMENTS

D. 241,100 8/1976 Vrignaud D6/510
D. 366,973 2/1996 Miller et al. D6/445
D. 389,668 1/1998 Newkirk et al. D6/446 X

Primary Examiner—Doris V. Coles
Assistant Examiner—Linda Brooks
Attorney, Agent, or Firm—Rockey, Milnamow & Katz

[57] **CLAIM**

The ornamental design for a drawer, as shown and described.

DESCRIPTION

FIG. 1 is a perspective view of a drawer, showing our new design;
FIG. 2 is a right side elevational view thereof, the left side elevational view being the mirror image thereof;
FIG. 3 is a front elevational view thereof;
FIG. 4 is a rear elevational view thereof;
FIG. 5 is a top plan view thereof; and,
FIG. 6 is a bottom plan view thereof.

1 Claim, 2 Drawing Sheets

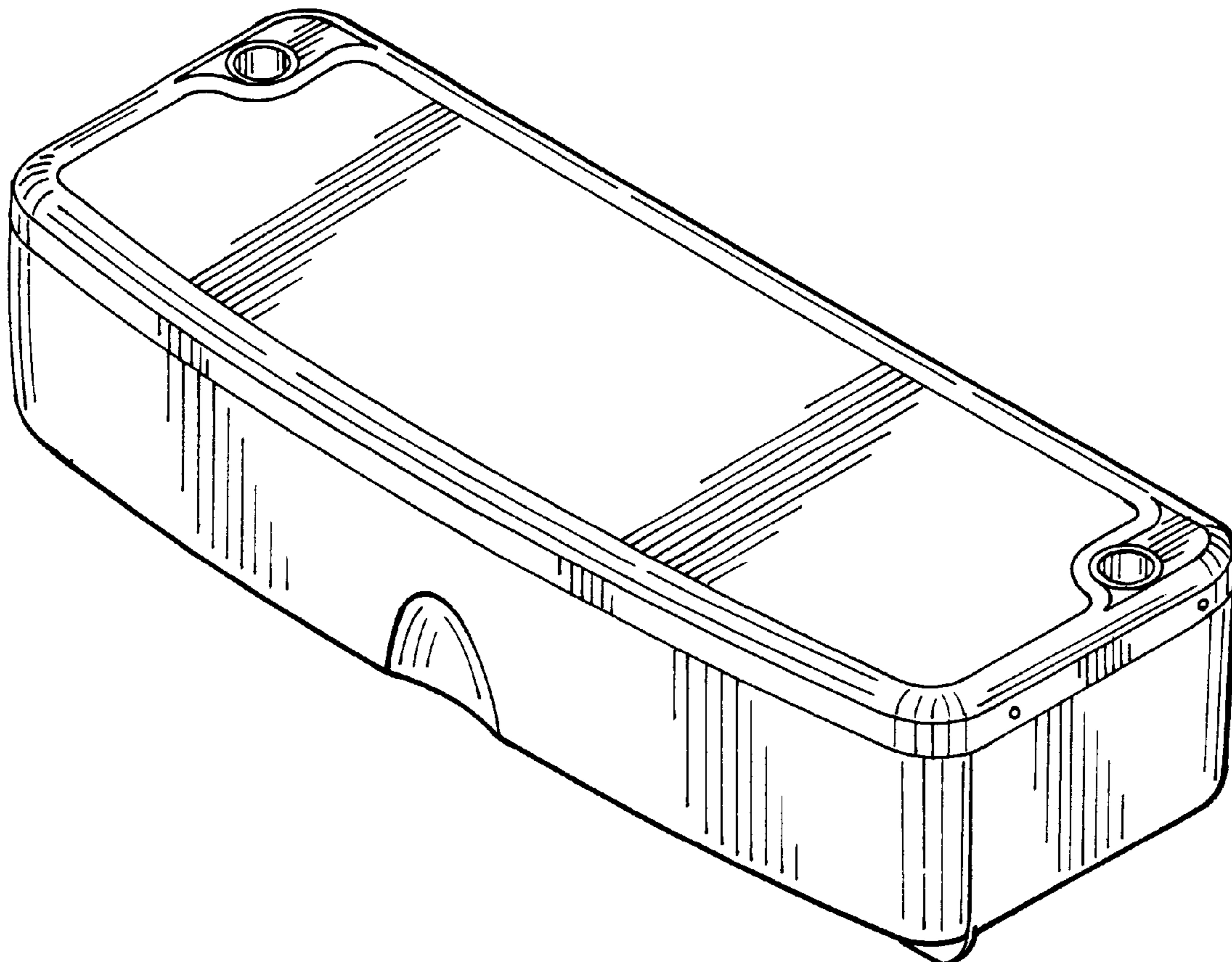


FIG.1

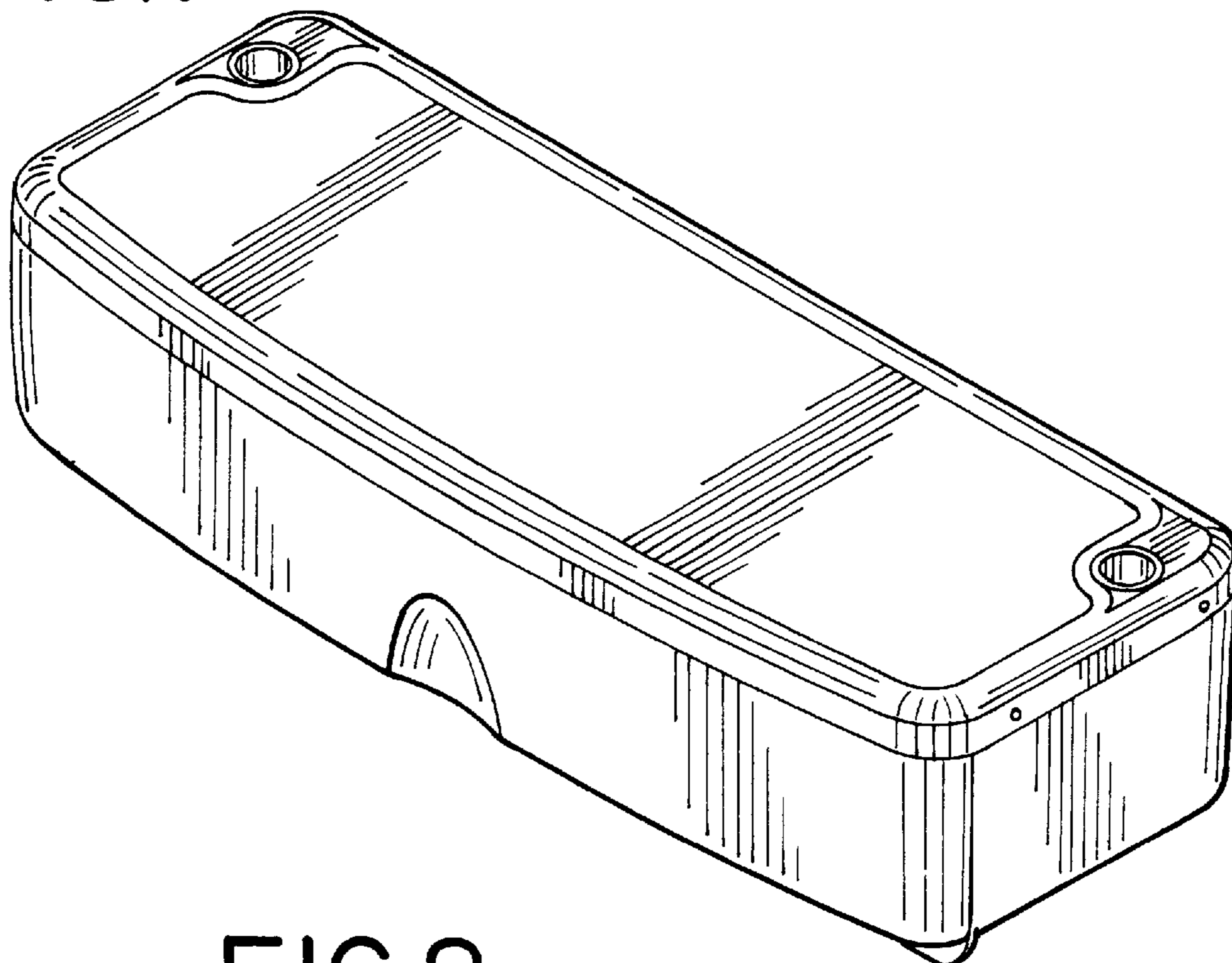


FIG.2

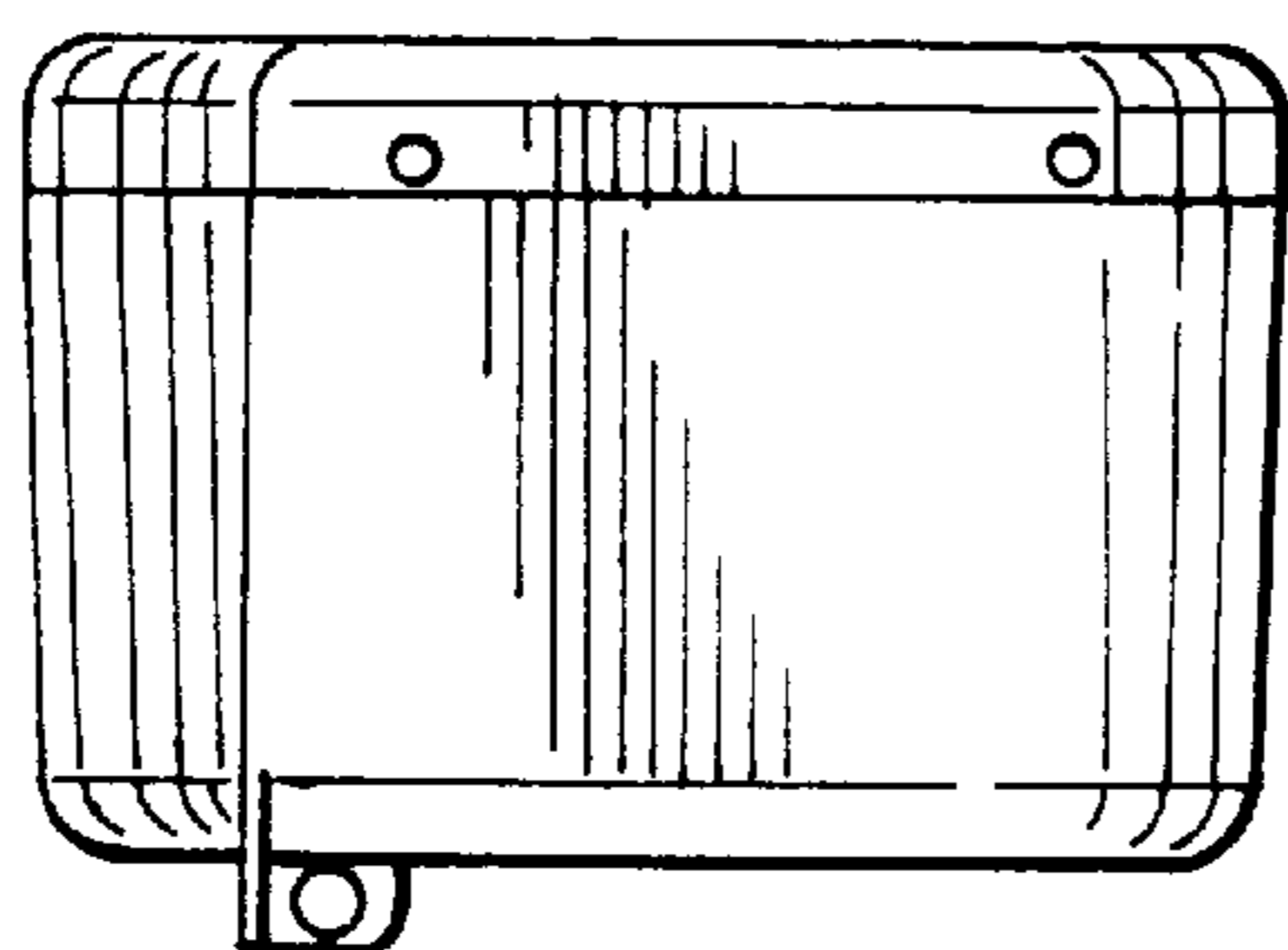


FIG.3

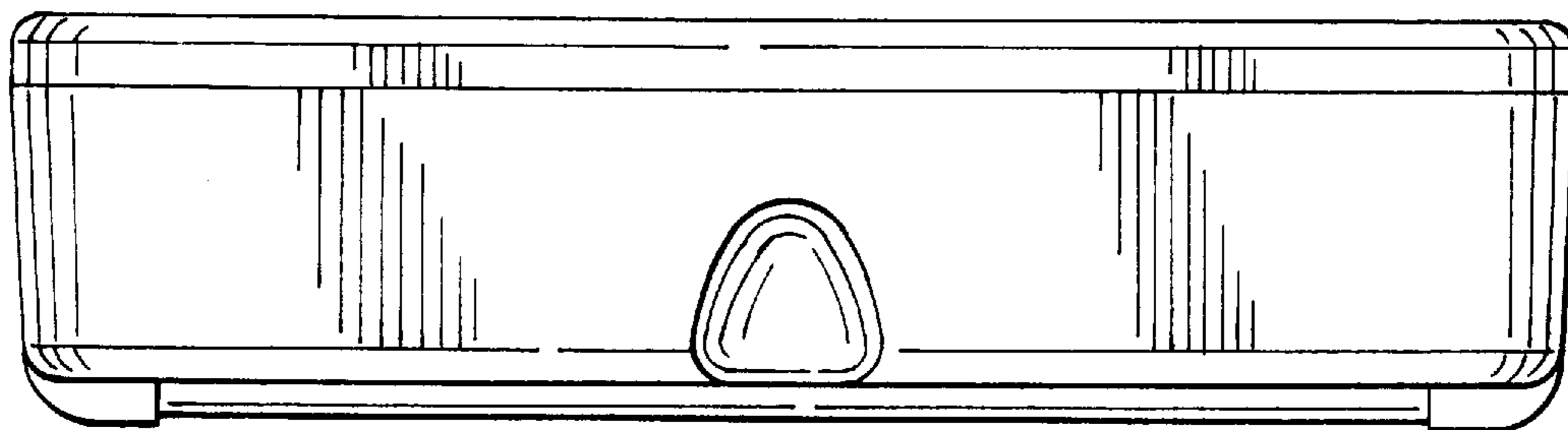


FIG.4

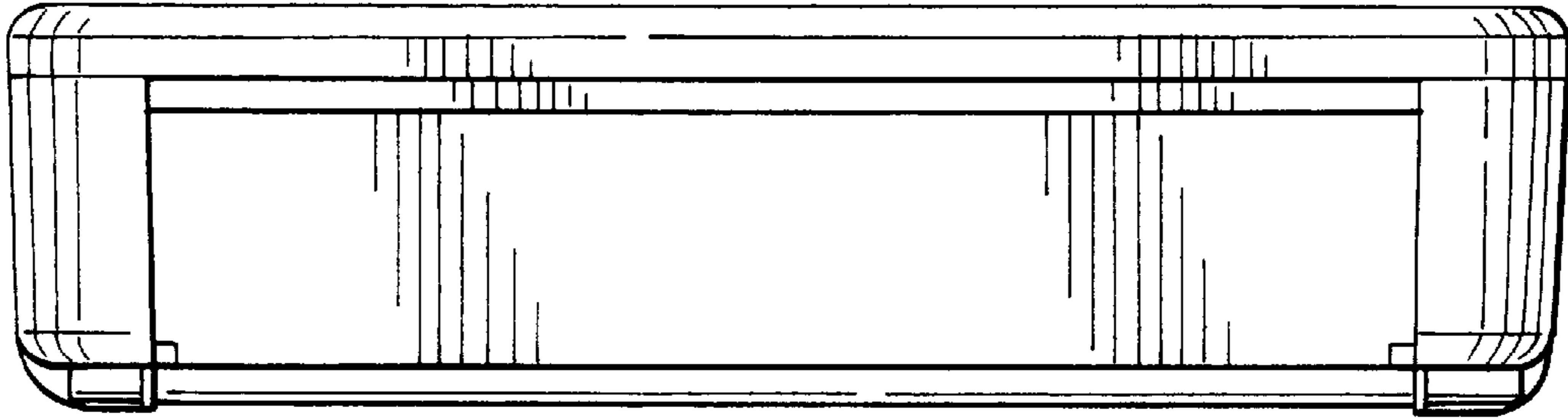


FIG.5

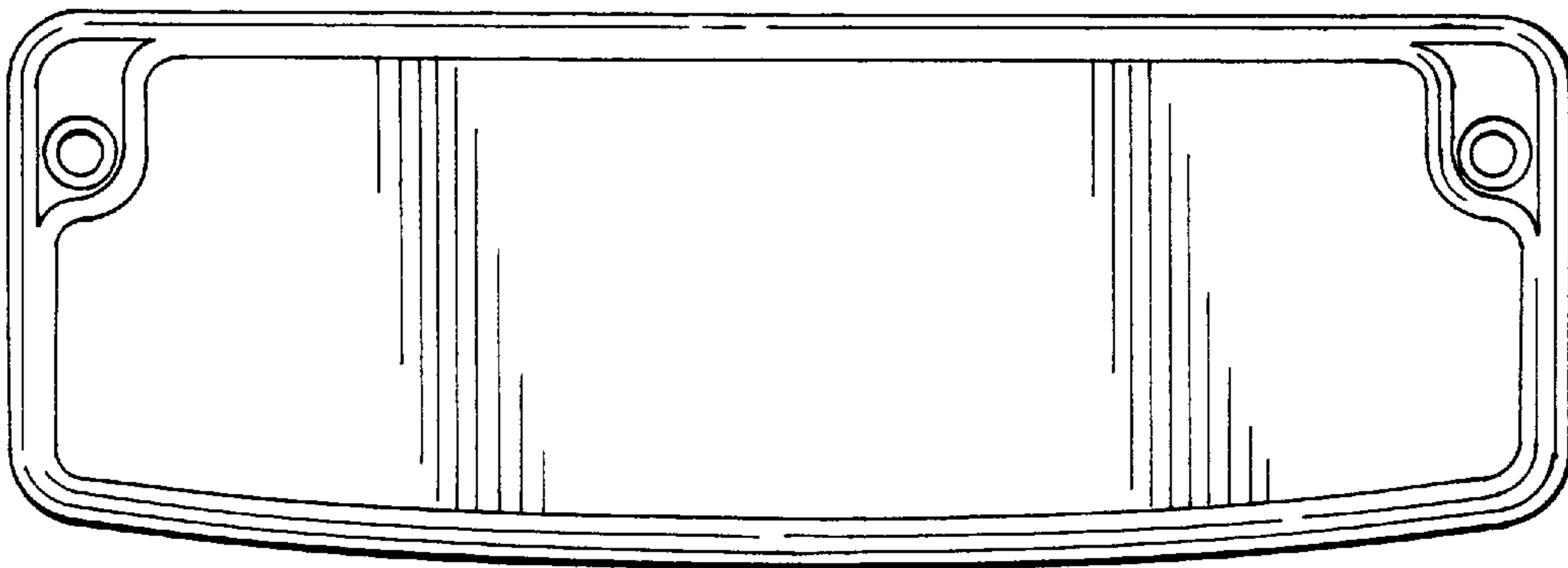


FIG.6

