



US00D414626S

United States Patent [19]

Collins et al.

[11] Patent Number: Des. 414,626

[45] Date of Patent: ** Oct. 5, 1999

[54] UTILITY TABLE

[75] Inventors: Michael T. Collins, Brigham City; Barry D. Mower, Layton; Carl R. Stanford, Clinton, all of Utah

[73] Assignee: Lifetime Products, Inc., Clearfield, Utah

[**] Term: 14 Years

[21] Appl. No.: 29/095,372

[22] Filed: Oct. 21, 1998

[51] LOC (6) Cl. 06-03

[52] U.S. Cl. D6/429; D6/480

[58] Field of Search D6/480-489, 495-497, D6/499, 429; 108/153.1, 156, 157.1, 161, 115, 116, 131, 160, 146; 248/188, 188.1, 188.8

[56] References Cited

U.S. PATENT DOCUMENTS

2,257,550	9/1941	Gay	155/124
2,558,465	6/1951	Seymour	155/43
2,689,158	9/1954	Mahr	108/131
2,690,210	9/1954	Holick	155/123
2,771,937	11/1956	Wilson	155/124
2,811,400	10/1957	James	311/16.5
2,939,516	6/1960	Drew	155/124
2,978,754	4/1961	Wilson	20/1.123
3,025,120	3/1962	Howe	311/92
3,030,728	4/1962	Wesman	45/68.4
3,041,775	7/1962	Brown, Jr. et al.	45/68.4
3,093,924	6/1963	Pompa	45/68.4
3,101,062	8/1963	Kanzelberger	108/37
3,144,236	8/1964	Clanin	248/346.1
3,267,886	8/1966	Glass	108/127
3,349,728	10/1967	Barecki et al.	108/131
3,357,729	12/1967	Krueger	287/98
3,545,738	12/1970	Stagg	269/325
3,762,626	10/1973	Dorsey	229/14
3,922,408	11/1975	Smith	428/40
3,960,354	6/1976	Simikoski	248/345.1
4,040,658	8/1977	Mayol	297/159
4,064,815	12/1977	Baum	108/129
4,072,231	2/1978	Helms	206/453
4,157,089	6/1979	Loughrey	128/74
4,489,661	12/1984	Fitzgerald	108/113

4,648,652	3/1987	Van Kuren	297/159
4,762,321	8/1988	Chang	273/30
4,817,902	4/1989	Mason	248/345.1
4,903,686	2/1990	Jennings	126/500
4,951,576	8/1990	Cobos et al.	108/131
5,014,628	5/1991	Roberts	108/133
5,060,902	10/1991	Hartman	248/345.1
5,149,575	9/1992	Soifer	428/188
5,208,084	5/1993	Rutz	428/40
5,279,233	1/1994	Cox	108/129
5,284,100	2/1994	Thorn	108/129
5,325,793	7/1994	Martin	108/130
5,357,872	10/1994	Wilmore	108/35
5,394,808	3/1995	Dutro et al.	108/126
5,440,857	8/1995	Shanok et al.	52/716.8
5,865,128	2/1999	Tarnay	108/133

OTHER PUBLICATIONS

Virco, c1970, p. 41, folding table #6200.
Fixtures Furniture, Jan. 1991, List price workbook, p. 112, #01001 table top at lower right.

Primary Examiner—Janice E. Seeger
Attorney, Agent, or Firm—Madson & Metcalf

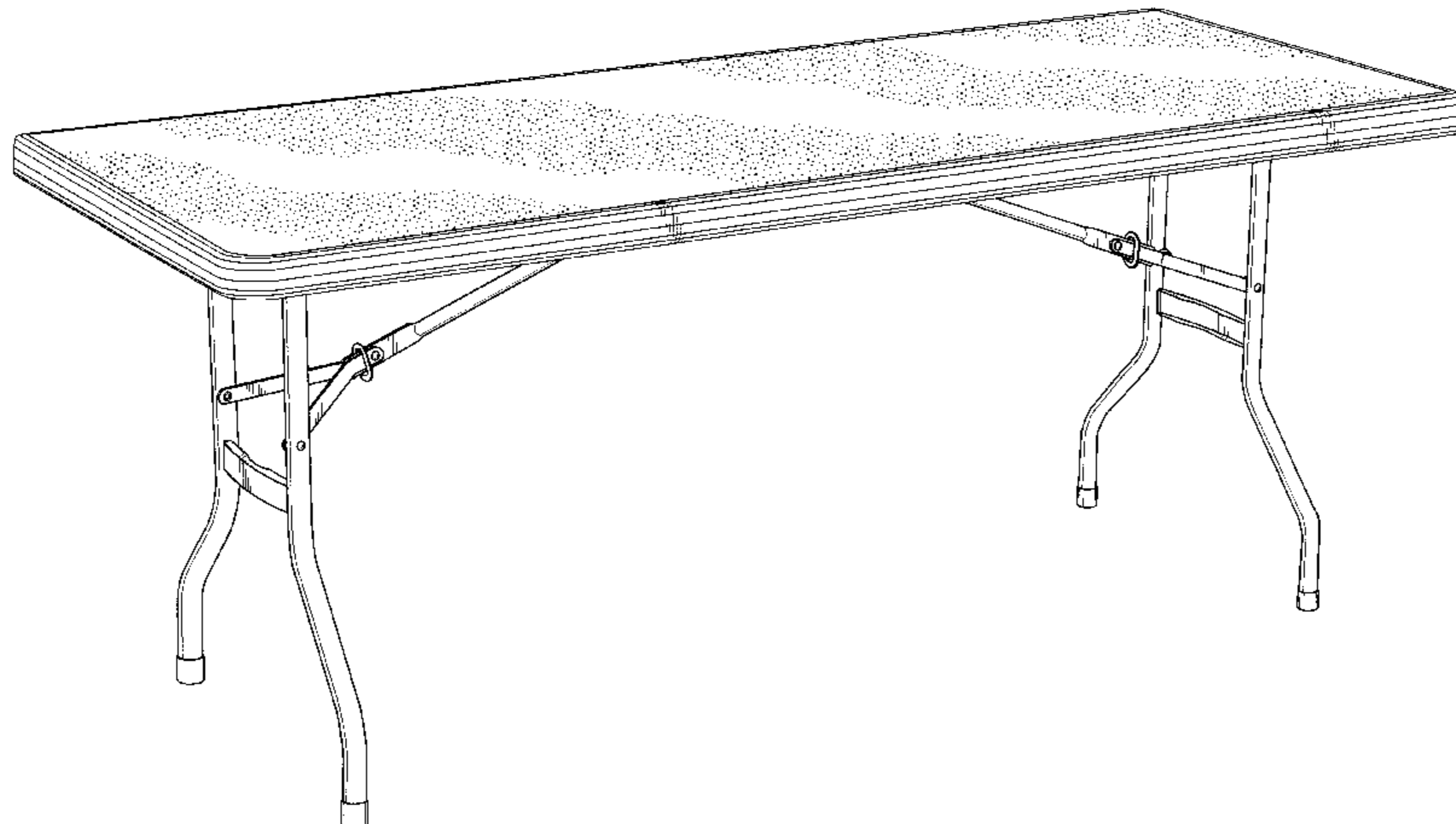
[57] CLAIM

The ornamental design for a utility table, as shown and described.

DESCRIPTION

FIG. 1 is a perspective view of a utility table showing our new design;
FIG. 2 is a right side elevational view of the embodiment of FIG. 1;
FIG. 3 is a left side elevational view of the embodiment of FIG. 1;
FIG. 4 is a front elevational view of the embodiment of FIG. 1;
FIG. 5 is a rear elevational view of the embodiment of FIG. 1;
FIG. 6 is a top plan view of the embodiment of FIG. 1; and,
FIG. 7 is a bottom plan view of the embodiment of FIG. 1.
The textured surface shown on the table top in FIGS. 1 and 6 is continuous throughout.

1 Claim, 6 Drawing Sheets



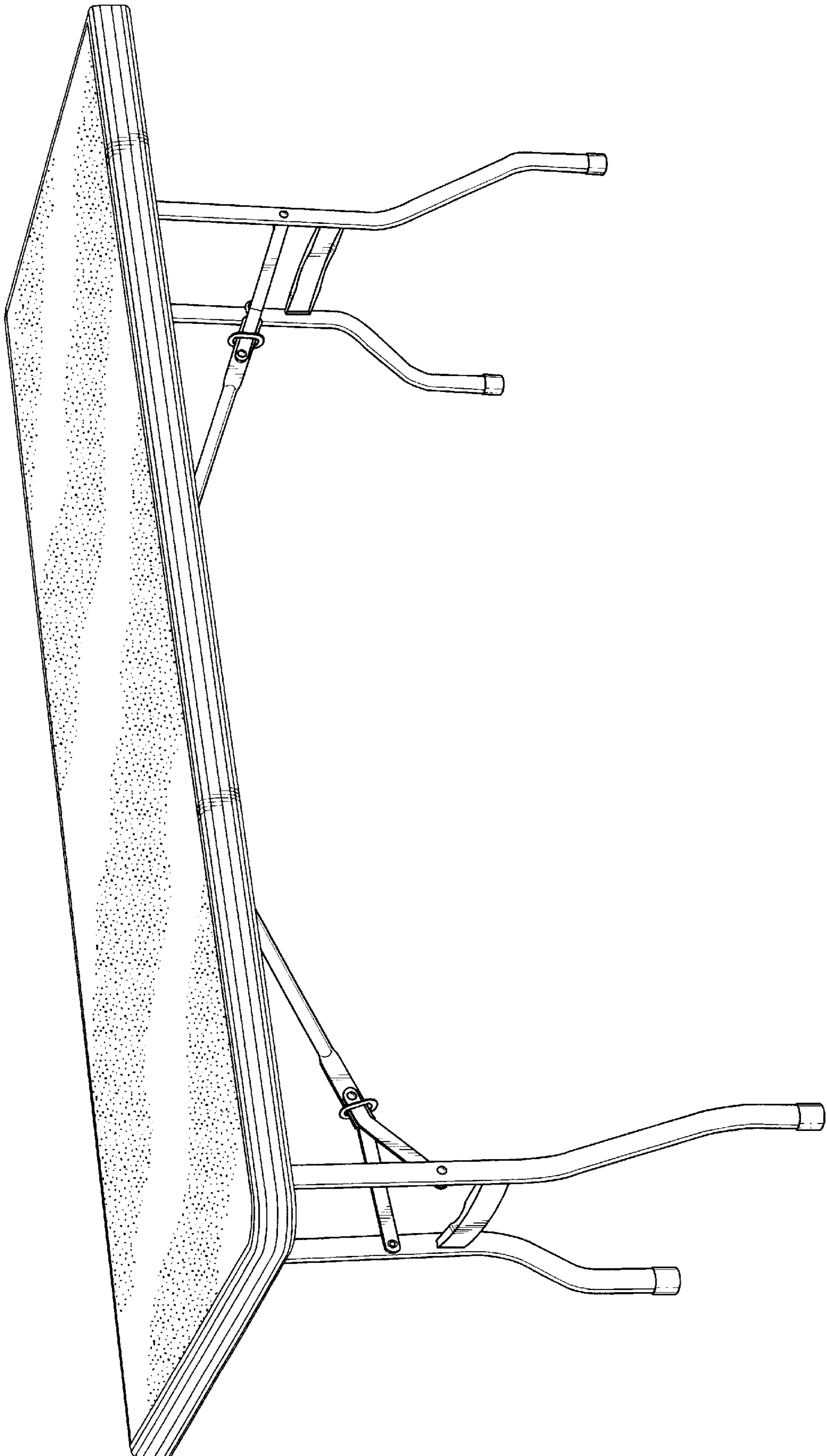


FIG. 1

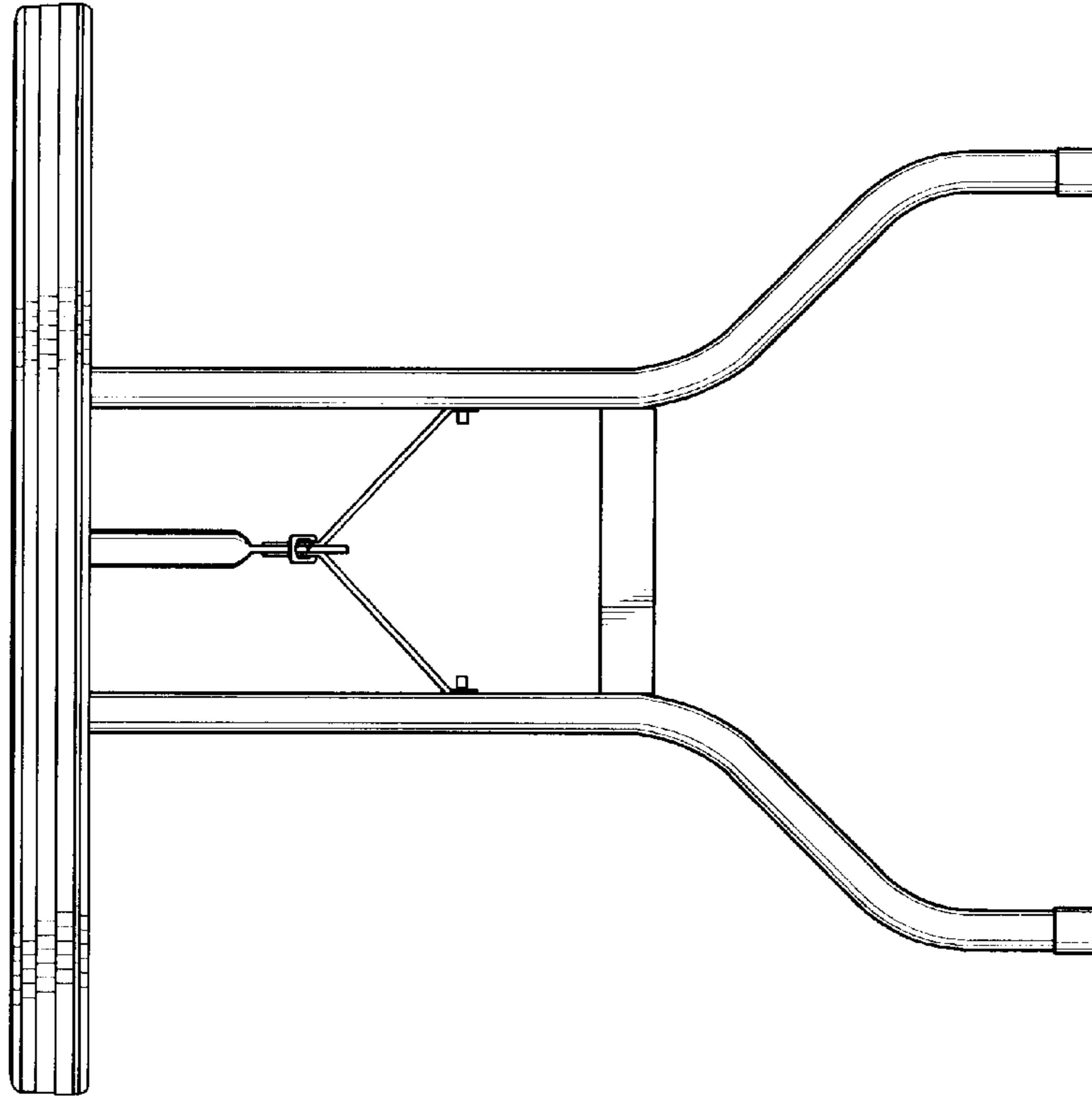


FIG. 3

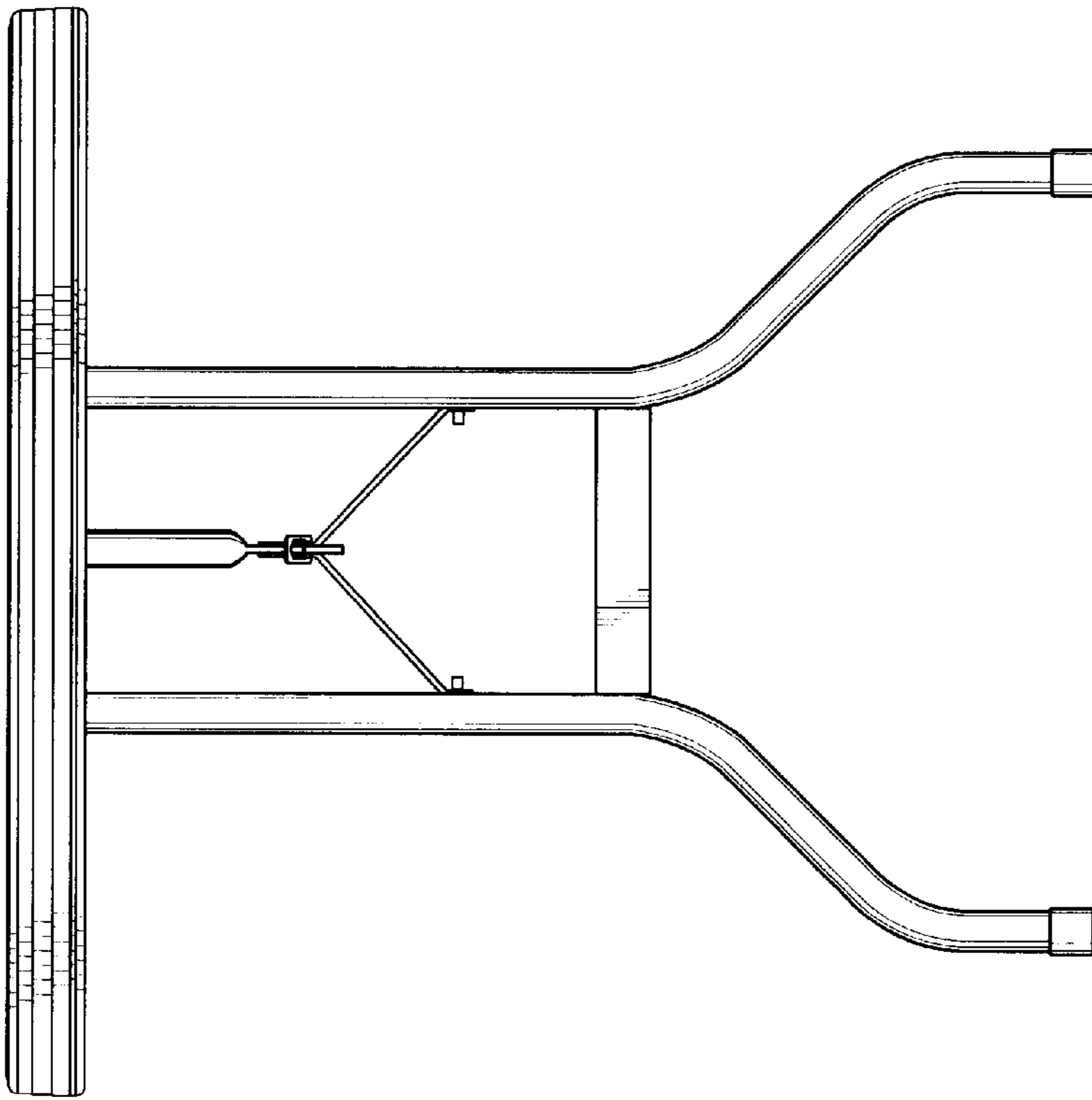


FIG. 2

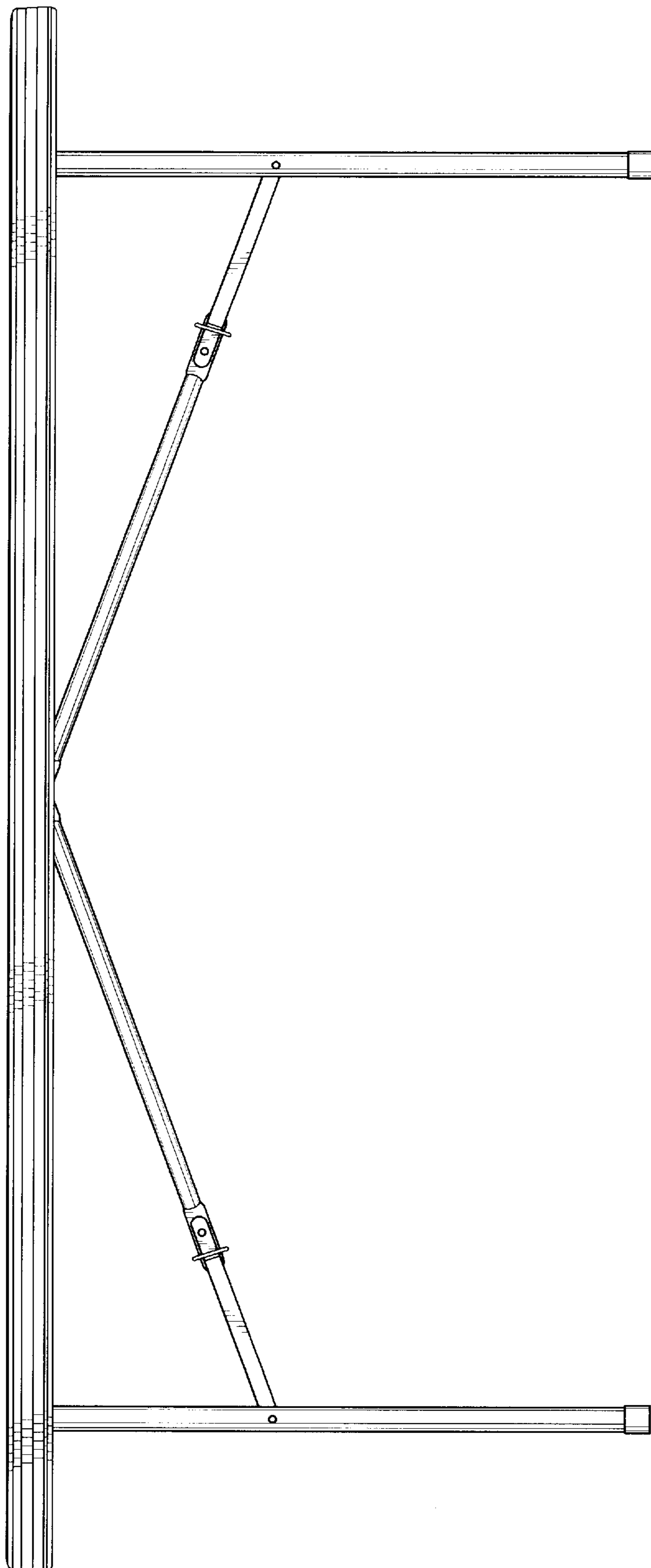


FIG. 4

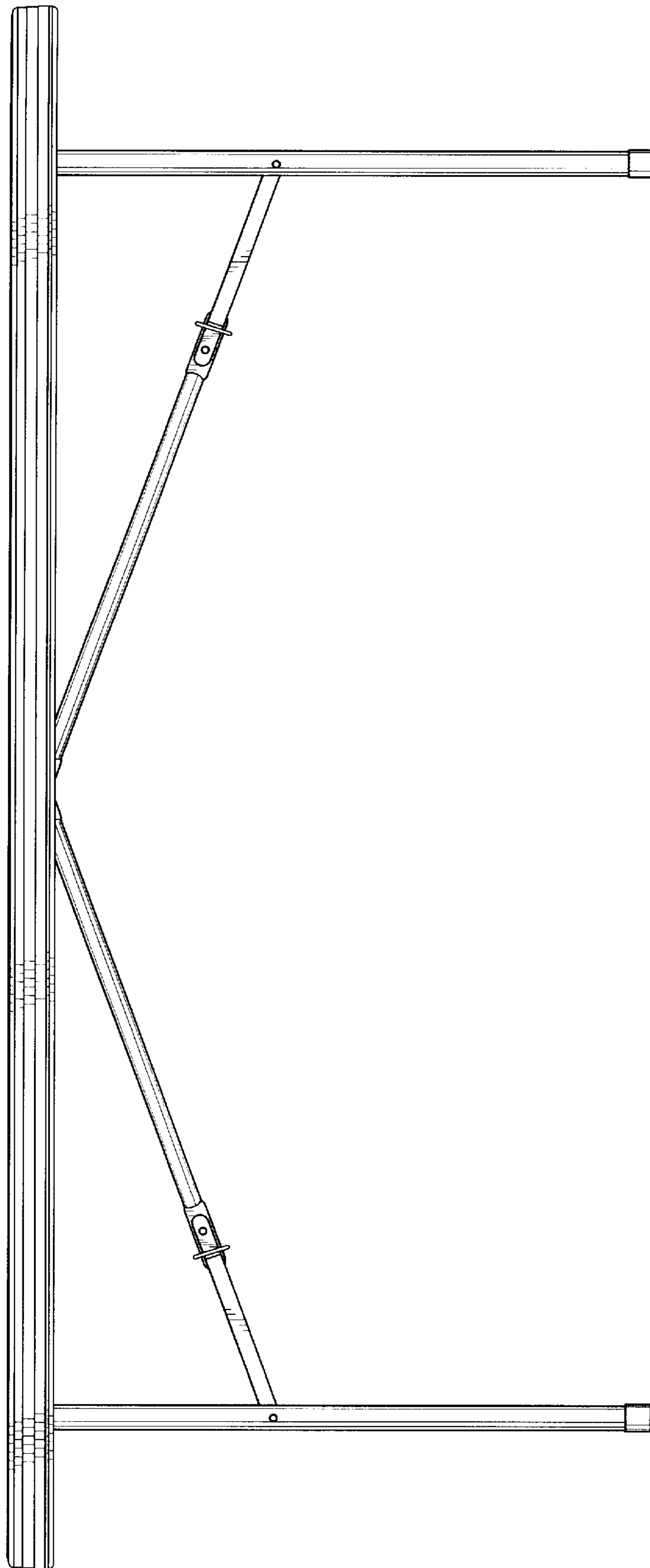


FIG. 5

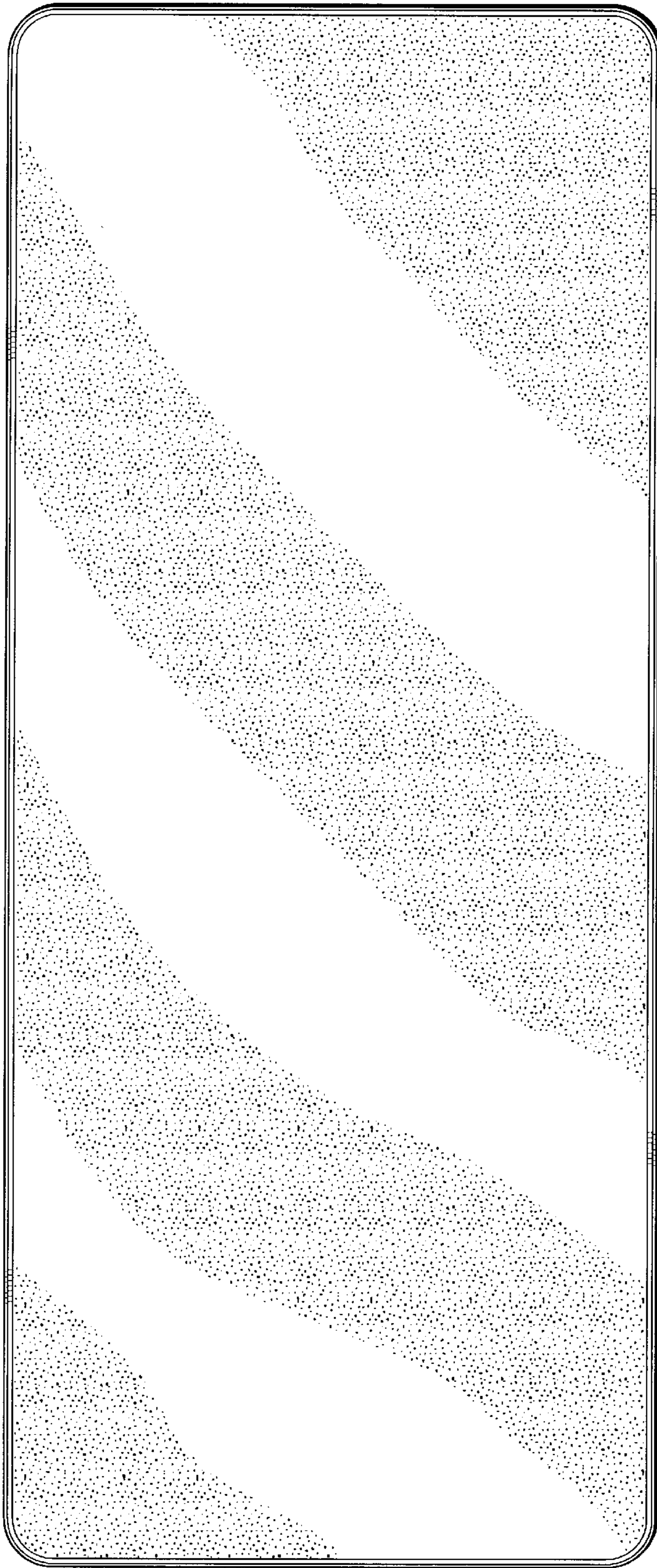


FIG. 6

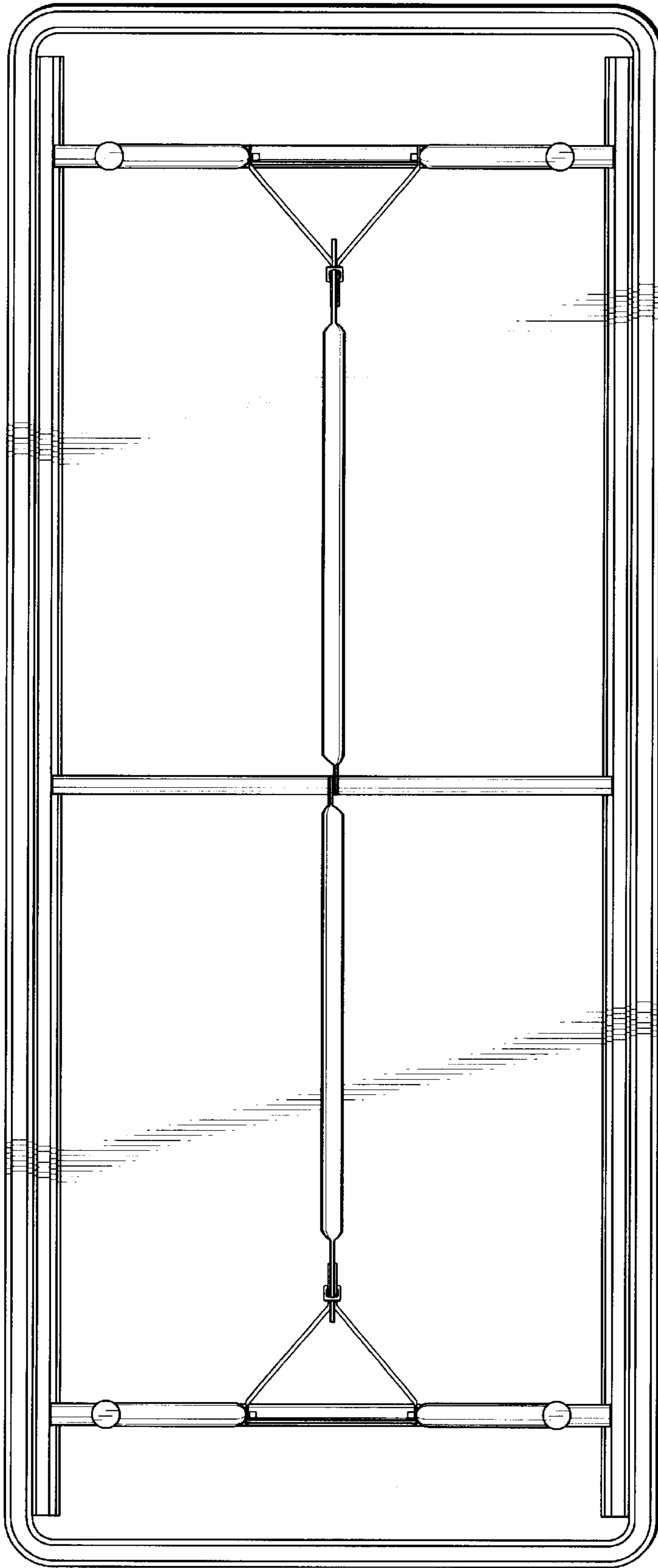


FIG. 7