



US00D414625S

# United States Patent [19] Stelmarski

[11] **Patent Number: Des. 414,625**  
[45] **Date of Patent: \*\* Oct. 5, 1999**

- [54] **PORTABLE CLOTHES RACK**
- [75] Inventor: **Brian Stelmarski**, Mayfield Heights, Ohio
- [73] Assignee: **Hanover Catalog Holdings, Inc.**, Weehawken, N.J.
- [\*\*] Term: **14 Years**
- [21] Appl. No.: **29/092,696**
- [22] Filed: **Aug. 25, 1998**
- [51] **LOC (6) Cl.** ..... **06-06**
- [52] **U.S. Cl.** ..... **D6/411; D32/58**
- [58] **Field of Search** ..... D32/58; D6/410, D6/411, 429; 211/33, 174, 100, 101, 99, 104, 118, 123, 165, 195; 248/124.1, 176.1

3,363,777 1/1968 Cooper ..... 211/101 X  
4,094,414 6/1978 Thiot et al. .... 211/101 X

### OTHER PUBLICATIONS

Colonial Garden Kitchens catalog, Mar., 1997.

*Primary Examiner*—Susan J. Lucas  
*Assistant Examiner*—Cynthia E. Ramirez  
*Attorney, Agent, or Firm*—Thompson Hine & Flory LLP

### [57] CLAIM

The ornamental design for a portable clothes rack, as shown and described.

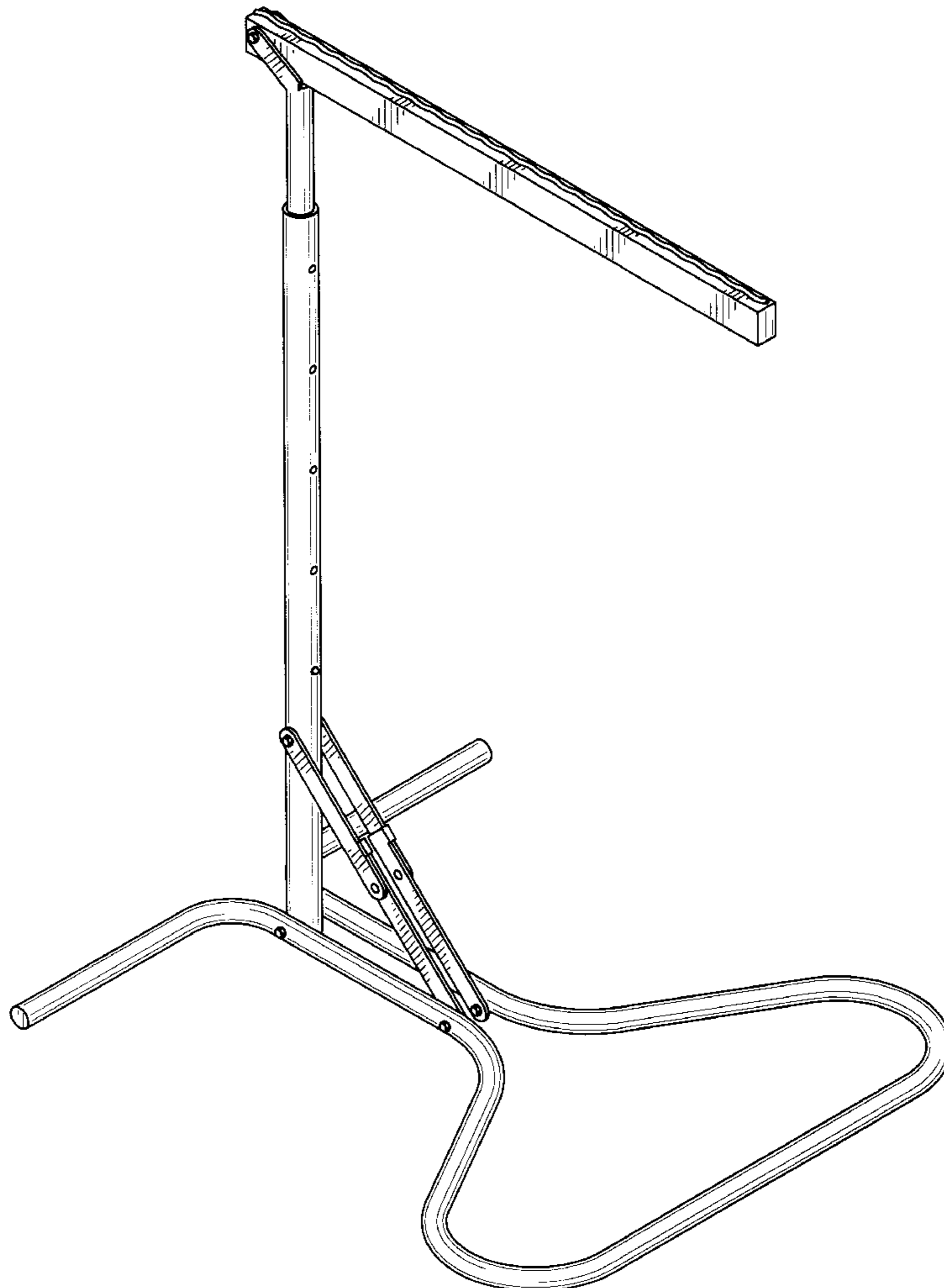
### DESCRIPTION

FIG. 1 is a perspective view of my new portable clothes rack;  
FIG. 2 is a left side elevational view thereof, the right side elevational view being a mirror image;  
FIG. 3 is a front elevational view thereof;  
FIG. 4 is a rear elevational view thereof;  
FIG. 5 is a top plan view thereof; and,  
FIG. 6 is a bottom plan view thereof.

### [56] References Cited U.S. PATENT DOCUMENTS

D. 217,473	5/1970	Barbee	.....	D6/411
D. 235,239	6/1975	Cartwright	.....	D6/411
D. 260,338	8/1981	Savage	.....	D6/411
D. 339,667	9/1993	Fitzpatrick	.....	D35/58

**1 Claim, 5 Drawing Sheets**



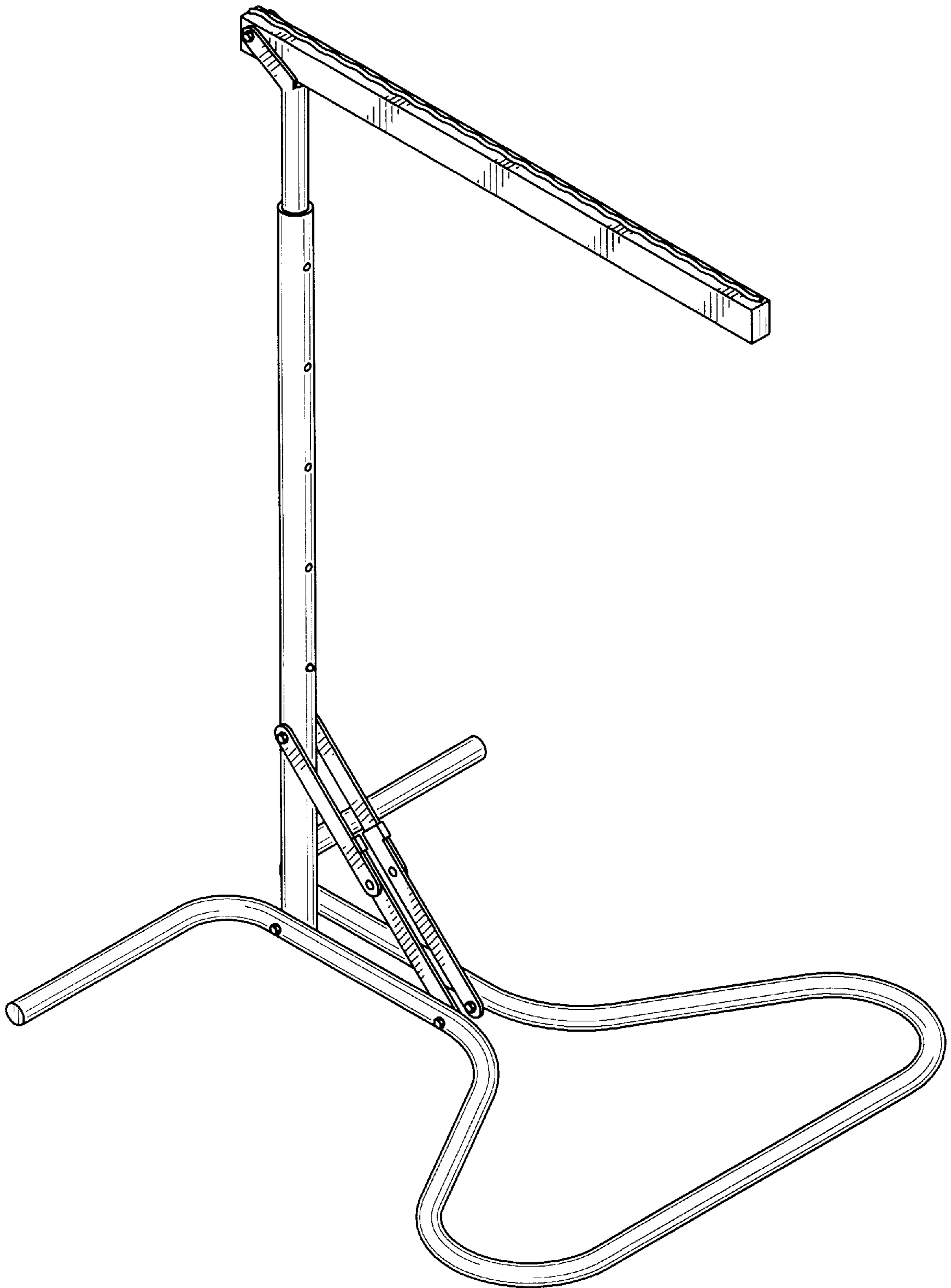


FIG. 1

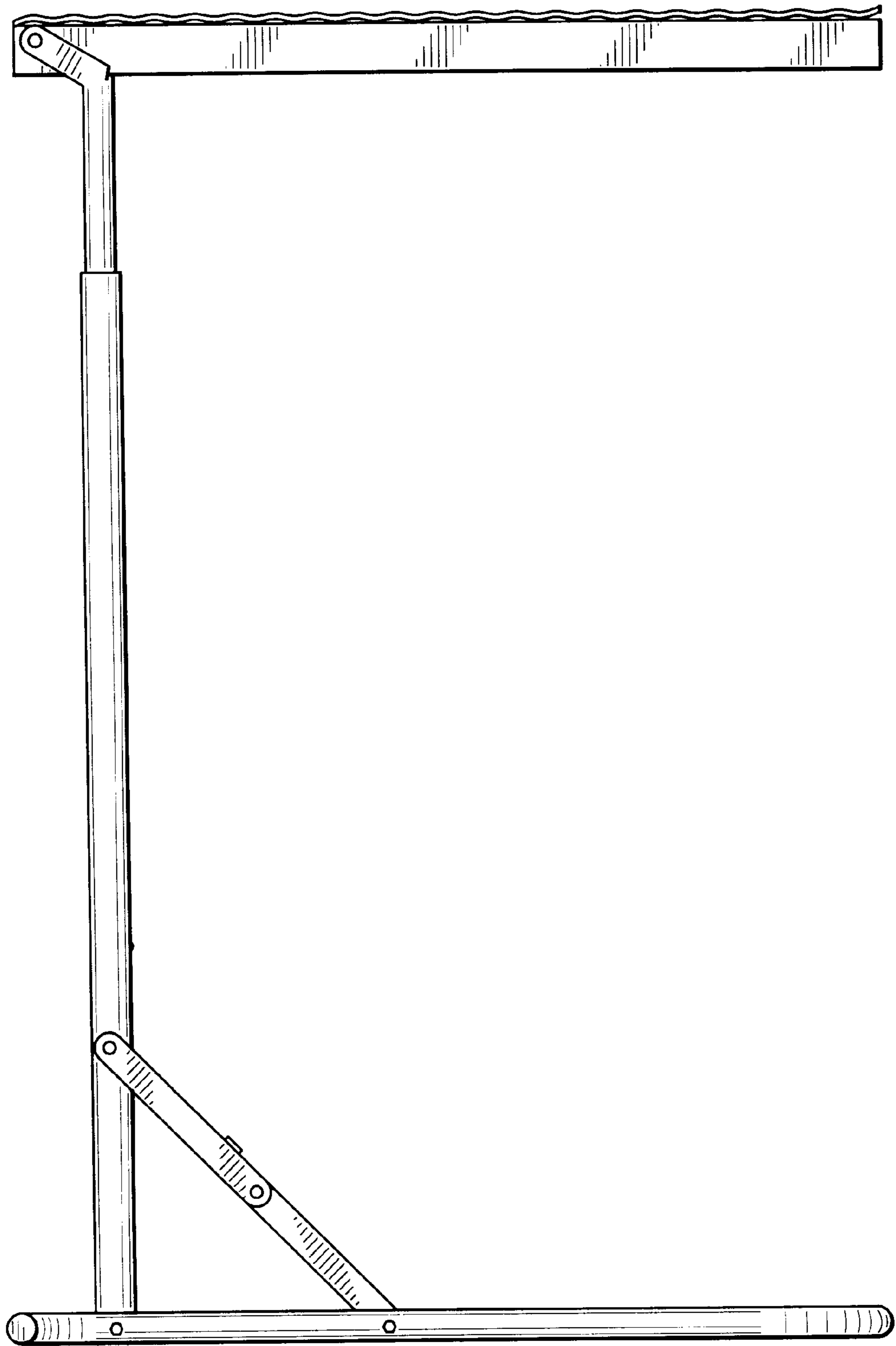


FIG. 2

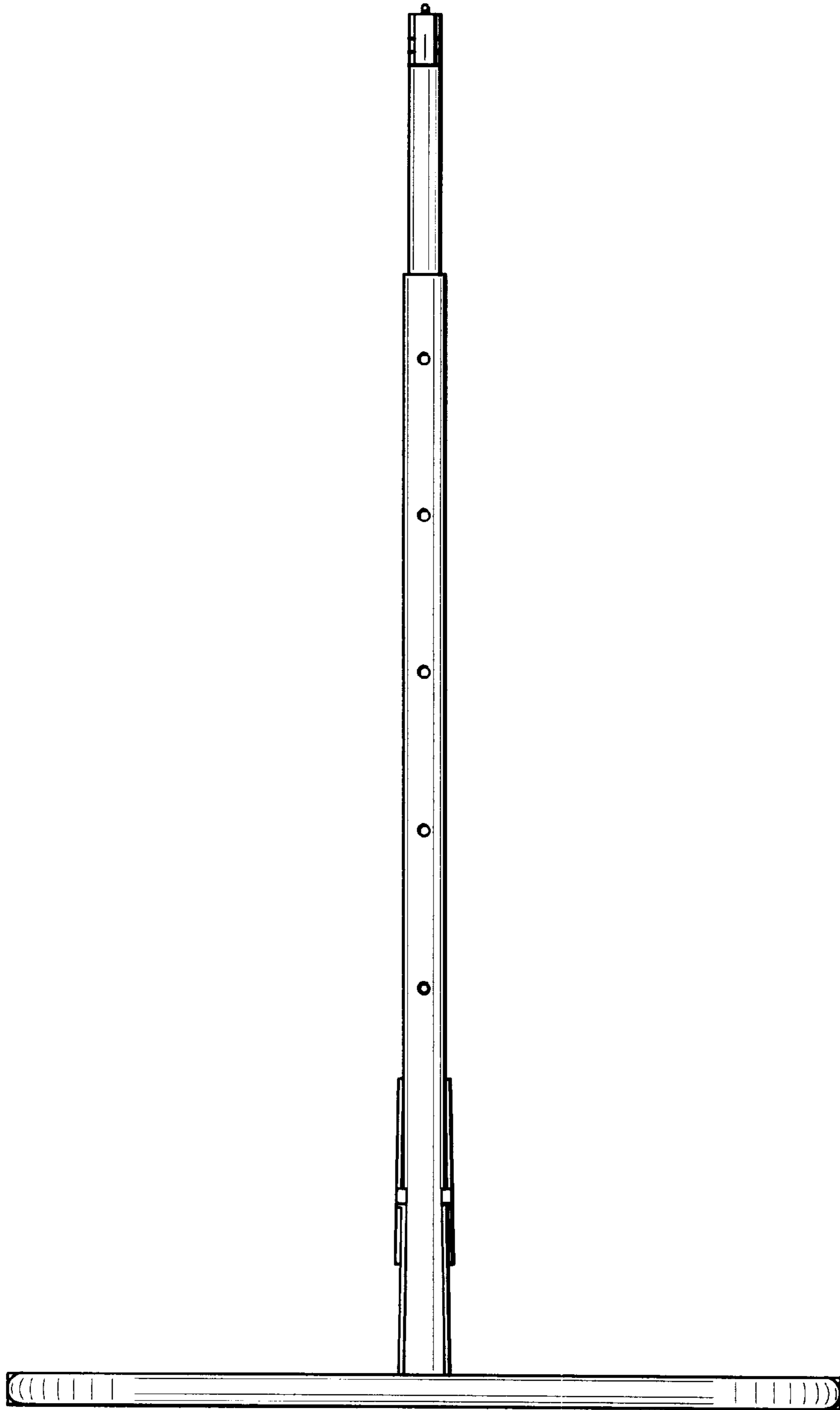


FIG. 3



FIG. 4

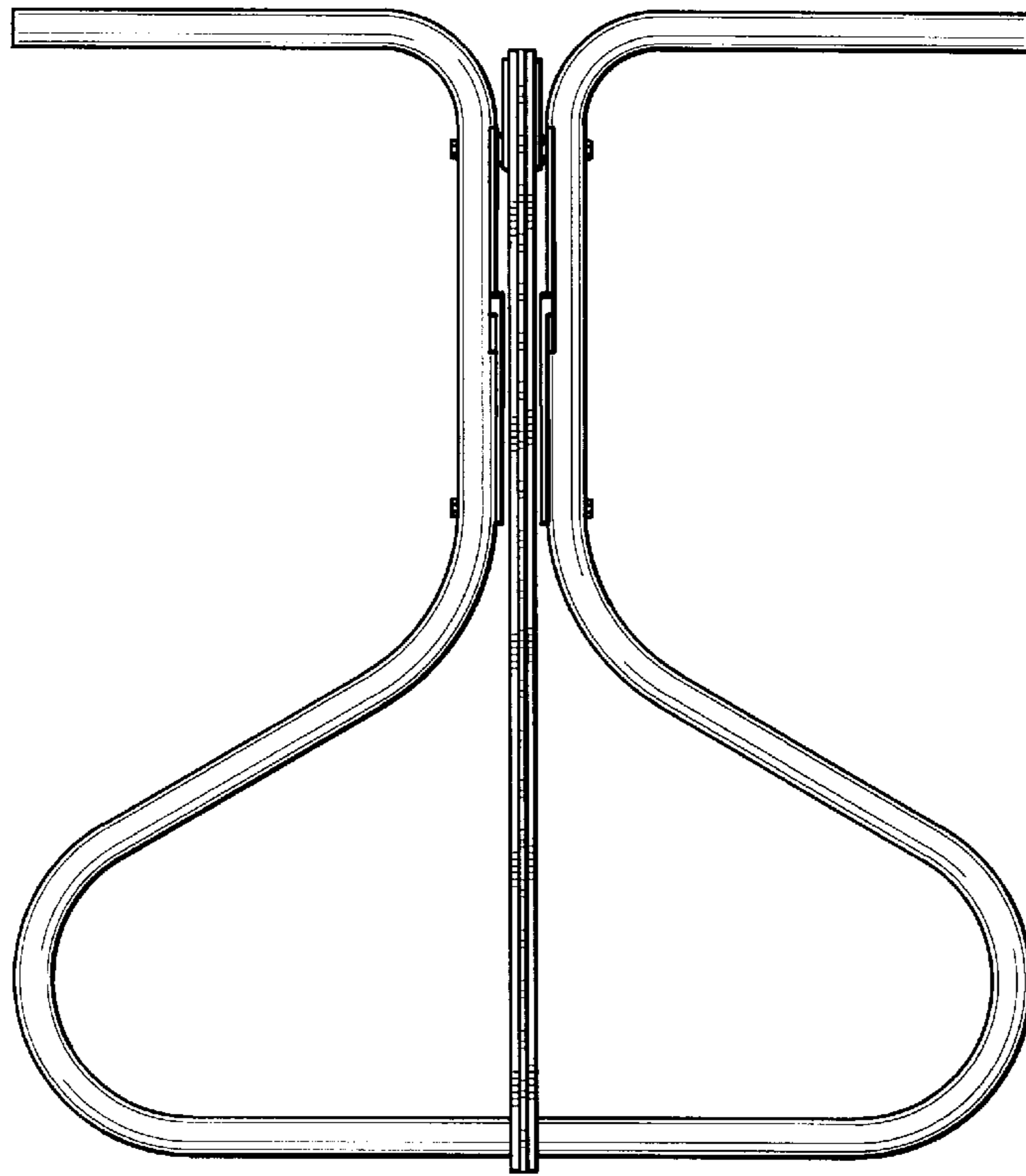


FIG. 5

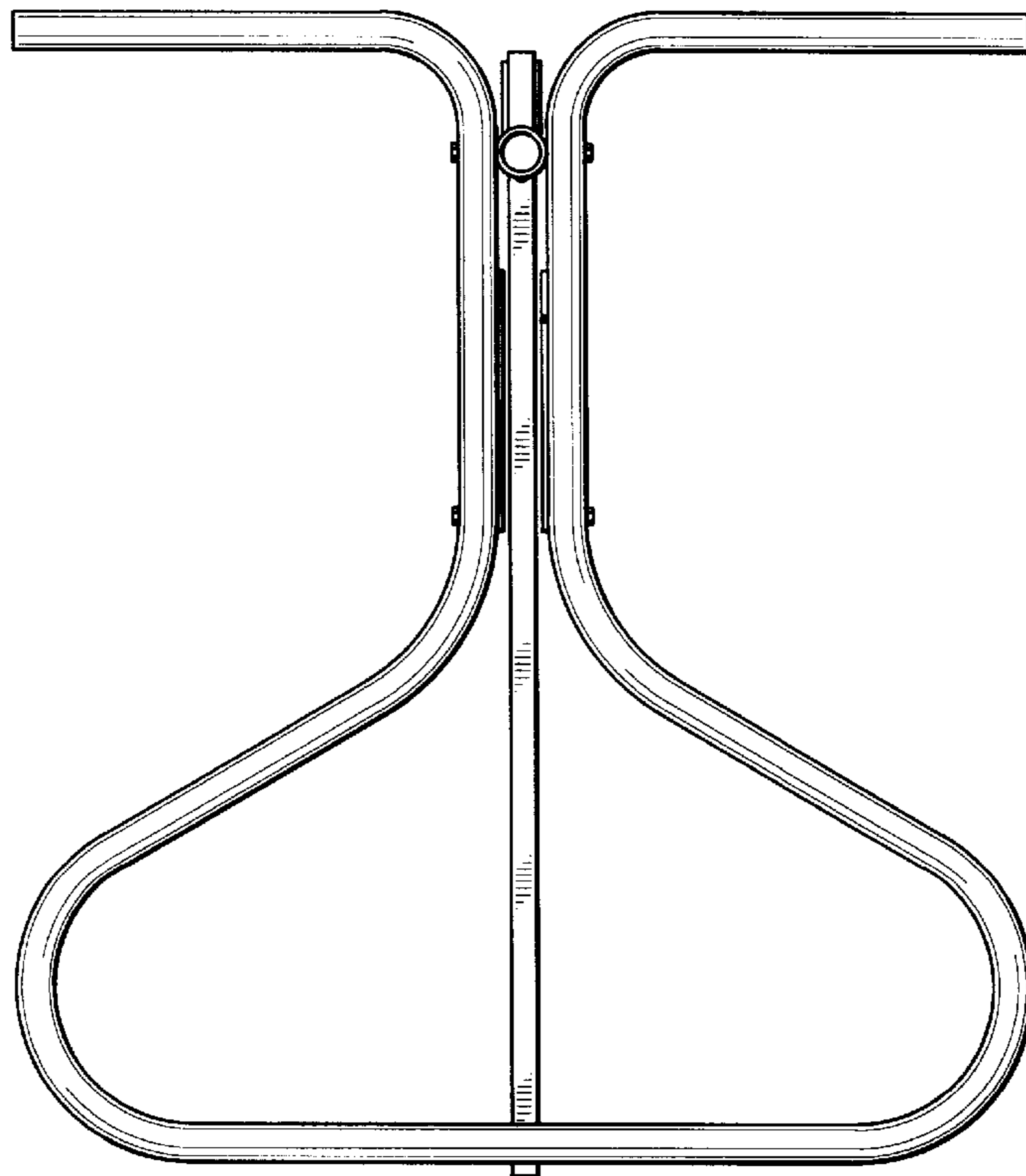


FIG. 6