



US00D414624S

United States Patent [19] Ganz

[11] **Patent Number: Des. 414,624**

[45] **Date of Patent: ** Oct. 5, 1999**

[54] **DISPLAY RACK**

[75] Inventor: **Nancy Ganz**, New York, N.Y.

[73] Assignee: **Warnaco Inc.**, New York, N.Y.

[**] Term: **14 Years**

[21] Appl. No.: **29/088,016**

[22] Filed: **May 13, 1998**

[51] **LOC (6) Cl.** **06-04**

[52] **U.S. Cl.** **D6/411**

[58] **Field of Search** D6/396, 397, 402,
D6/411, 413, 414, 449, 436-439, 470, 474-479,
481; 312/107, 108, 111, 140.1, 140.2, 198,
204, 257.1, 249.8, 249.11, 249.13; 211/1,
13.1, 85.3, 85.26; 280/47.35, 79.3; D34/12,
14, 17, 119-21; D20/10, 19, 29, 42

[56] **References Cited**

U.S. PATENT DOCUMENTS

D. 140,544 3/1945 Sharp D6/481
D. 369,031 4/1996 Lechleiter et al. D6/397

D. 403,890 1/1999 Geier et al. D6/437

Primary Examiner—Doris V. Coles
Assistant Examiner—Linda Brooks

[57] **CLAIM**

The ornamental design for a display rack, as shown and described.

DESCRIPTION

FIG. 1 is a perspective view, from the front, top and one side of a display rack showing my new design;
FIG. 2 is a front elevation view thereof;
FIG. 3 is a rear elevation view thereof;
FIG. 4 is a side elevation view thereof from the one side;
FIG. 5 is a side elevation view thereof from the opposite side;
FIG. 6 is a top plan view thereof;
FIG. 7 is a bottom plan view thereof; and,
FIG. 8 is a perspective view thereof, with hangers and clothing illustrated in broken lines for purposes of illustration only and forming no part of the claimed design.

1 Claim, 7 Drawing Sheets

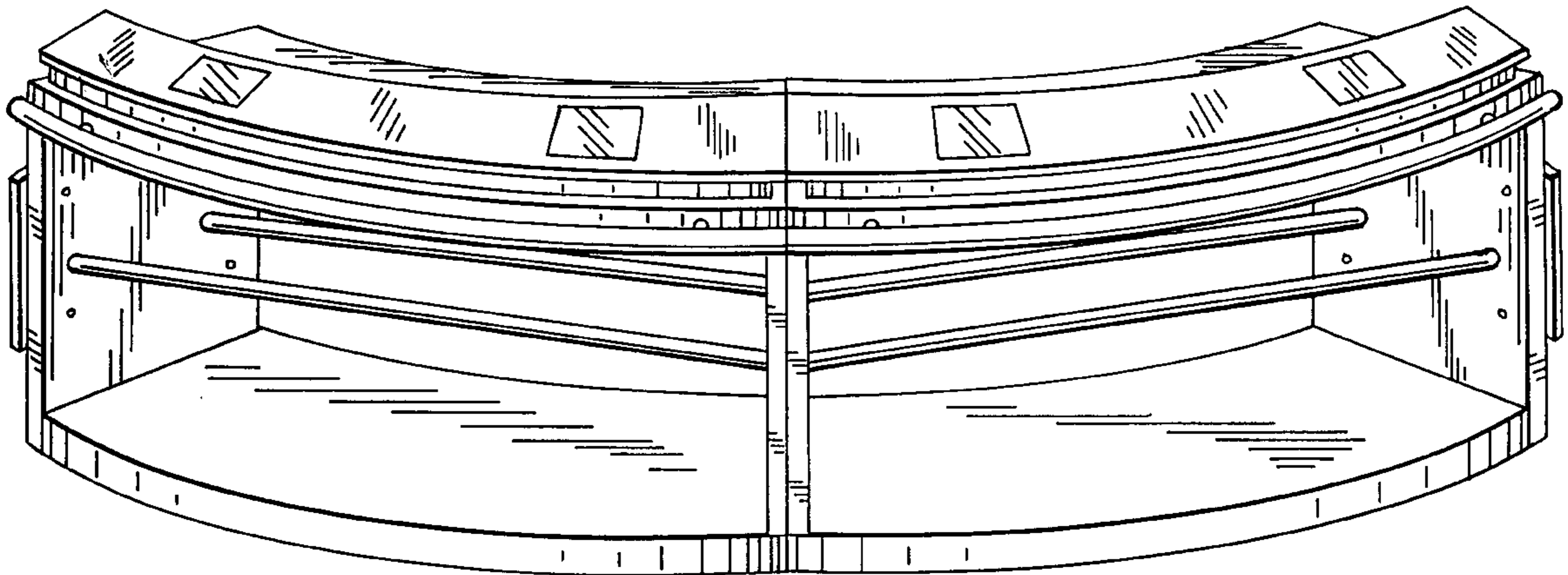


FIG. 1

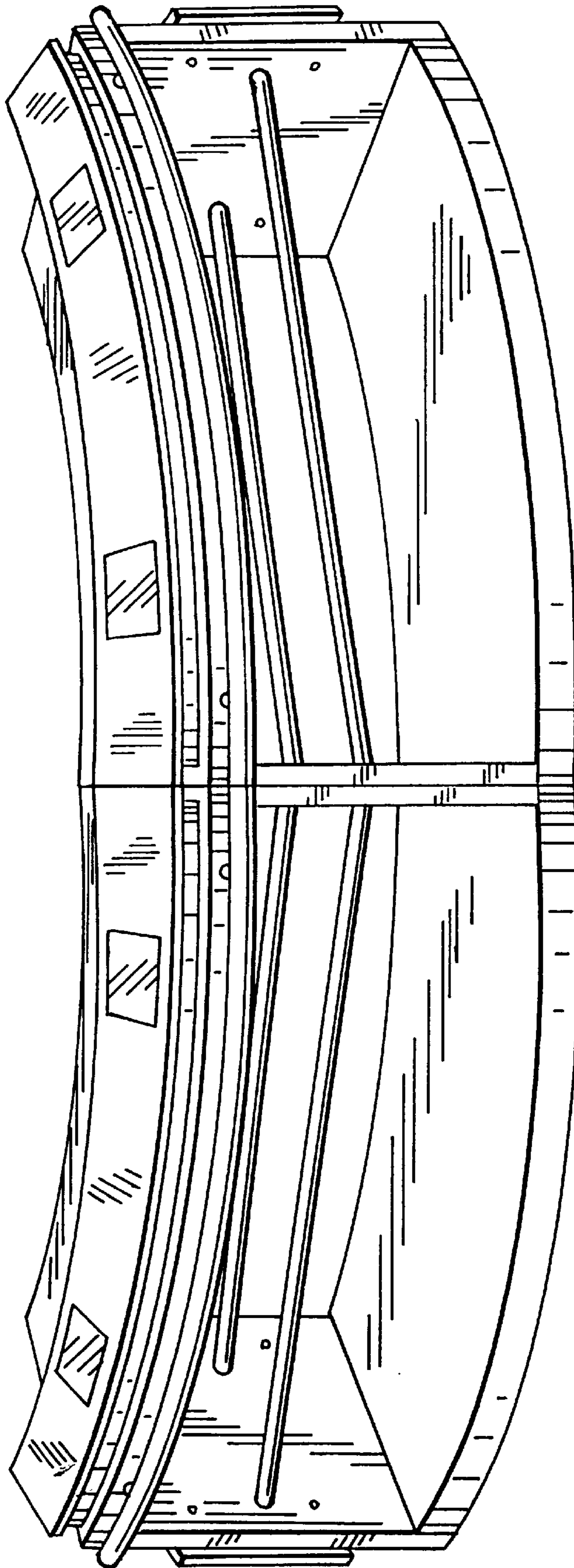


FIG. 2

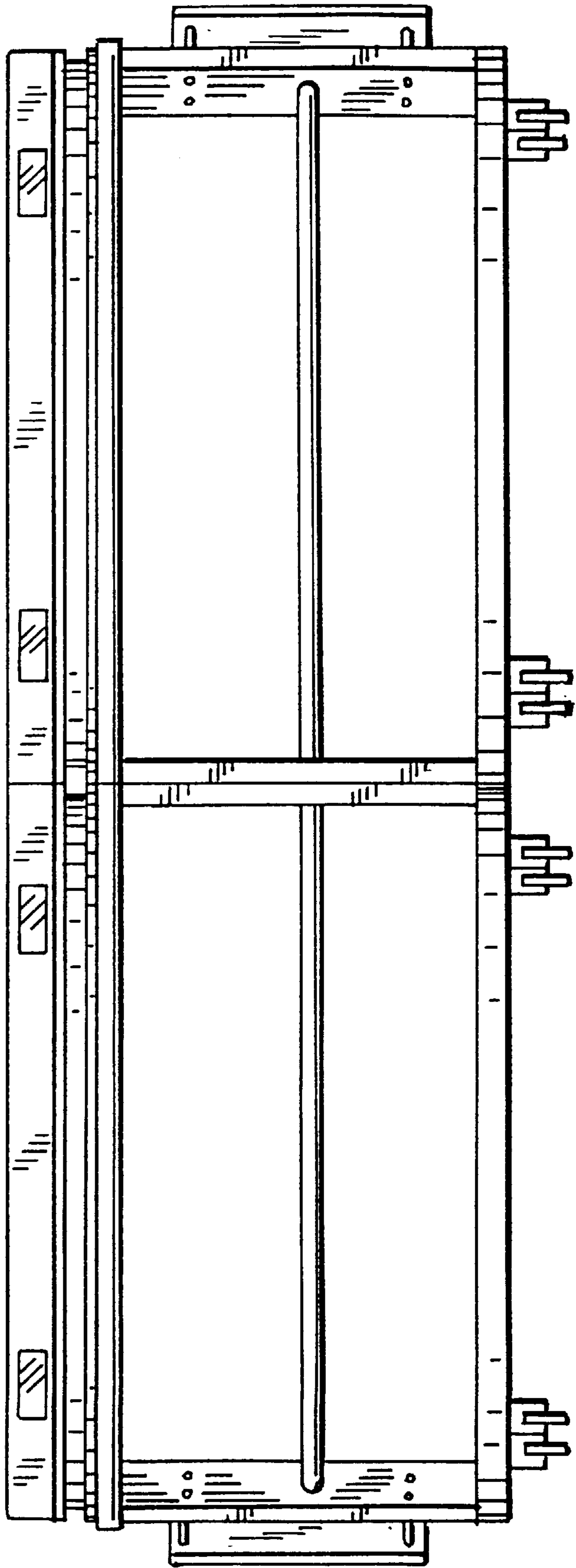


FIG. 3

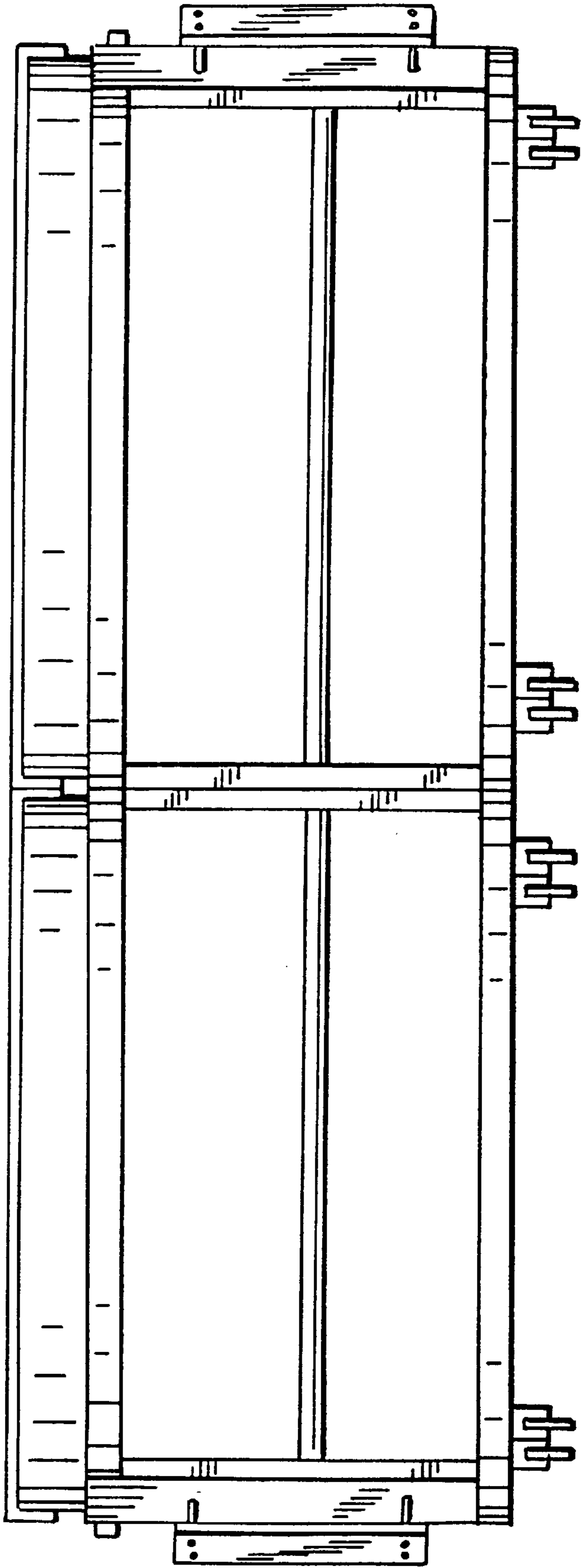


FIG. 4

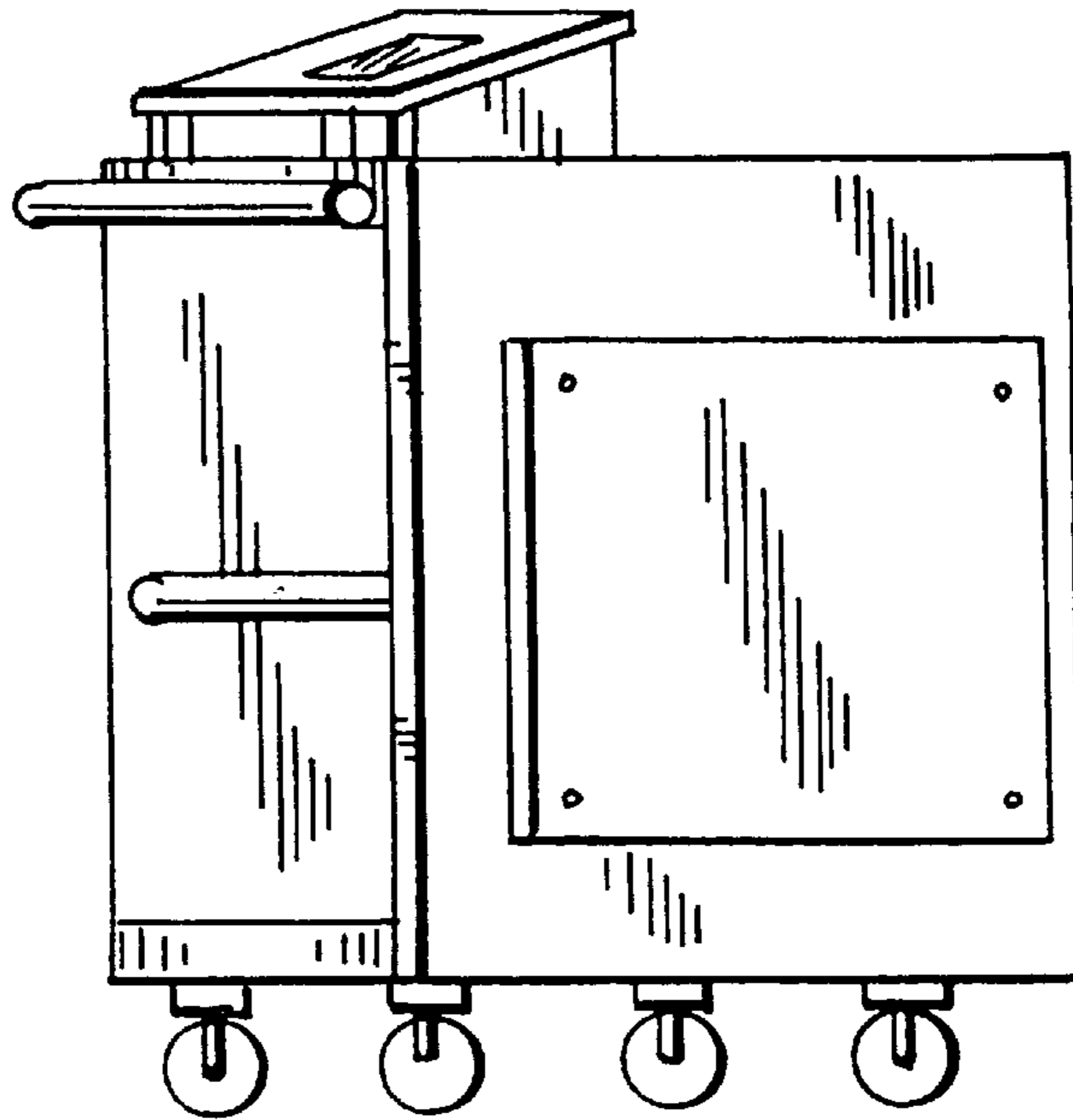


FIG. 5

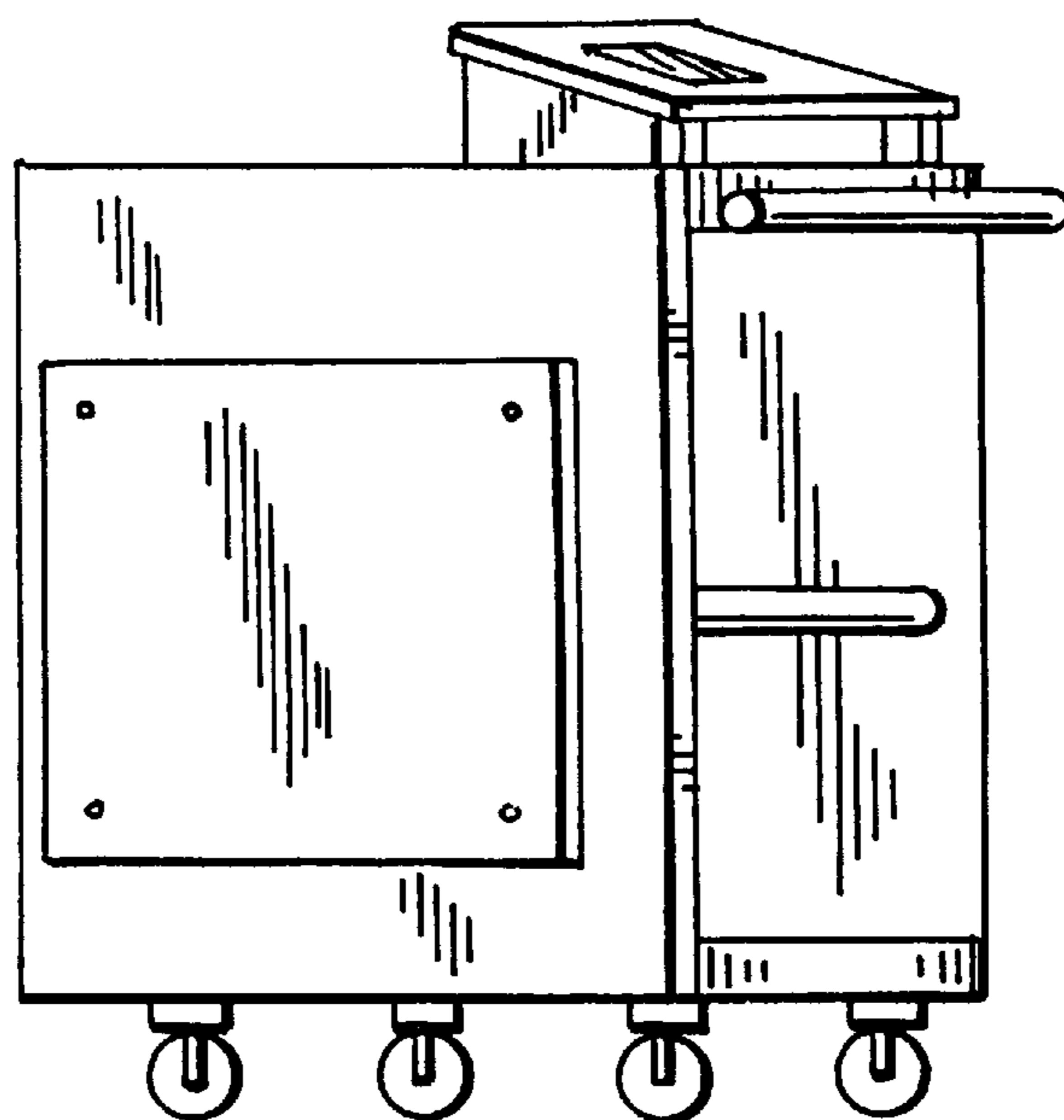
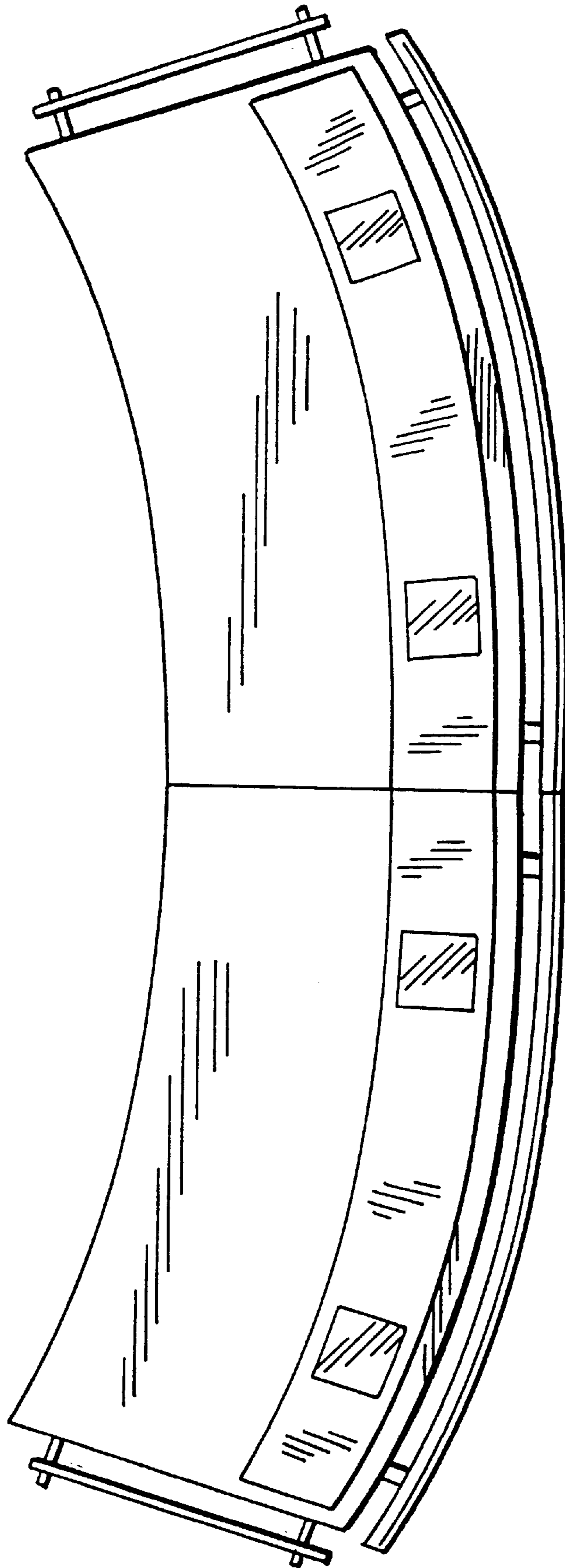


FIG. 6



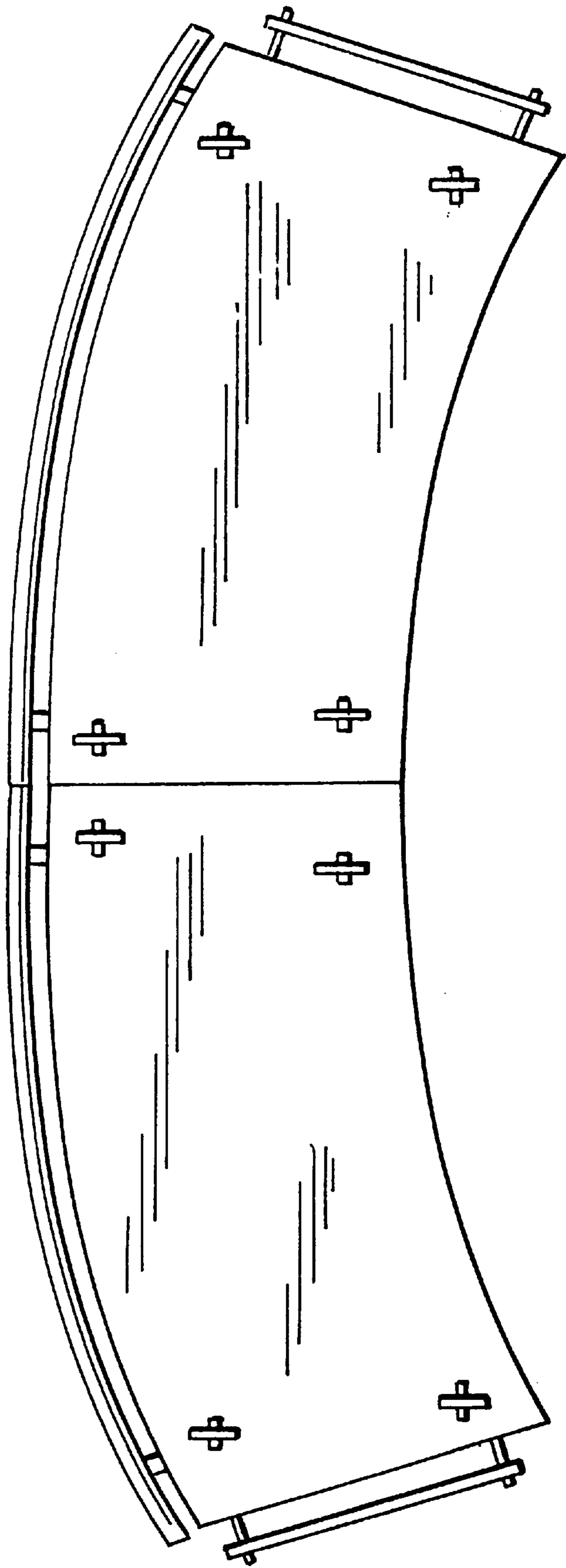


FIG. 7

FIG. 8

