



US00D414623S

United States Patent [19] Crump

[11] Patent Number: Des. 414,623

[45] Date of Patent: ** Oct. 5, 1999

[54] DISPLAY HOLDER FOR A CARPET SAMPLE

[76] Inventor: Charles R. Crump, 1125 Lamar Ave.,
Altamonte Springs, Fla. 32714

[**] Term: 14 Years

[21] Appl. No.: 29/079,395

[22] Filed: Nov. 13, 1997

[51] LOC (6) Cl. 20-03

[52] U.S. Cl. D6/409

[58] Field of Search D6/409, 449, 466,
D6/491, 418, 509, 300; D8/373, 354, 363;
D20/10, 41, 42, 43; 211/42; 40/662, 665,
341, 350, 606, 611, 617, 642.02, 649, 651;
248/207, 214, 451, 452, 494

[56] References Cited

U.S. PATENT DOCUMENTS

D. 185,408	6/1959	Zimmerman	D20/43
D. 225,593	12/1972	Jones	D20/41
D. 233,017	10/1974	Hall	D8/373
D. 238,029	12/1975	Howard	D6/409
D. 251,934	5/1979	Brown	D6/409
D. 292,954	12/1987	Knight et al.	D6/409
D. 327,992	7/1992	De Carlo	D6/409
D. 343,569	1/1994	Jeng	D8/373
2,323,448	7/1943	Brennan	211/48
2,581,762	1/1952	Hesse	40/611 X

2,812,067	11/1957	Gussack	211/46
2,851,167	9/1958	Rosenberg	211/46
2,895,604	7/1959	Schwartz	206/51
3,185,309	5/1965	Radek	211/46
3,570,679	3/1971	Edson	211/47
3,732,633	5/1973	Margolis et al.	35/55
3,871,524	3/1975	Helf	211/45
3,905,480	9/1975	Grincer	211/45
4,121,717	10/1978	Hensel, Jr.	211/46
4,706,400	11/1987	Howard et al.	40/617
5,031,782	7/1991	Minervini	211/46

Primary Examiner—Doris V. Coles
Assistant Examiner—Linda Brooks
Attorney, Agent, or Firm—William M. Hobby, III

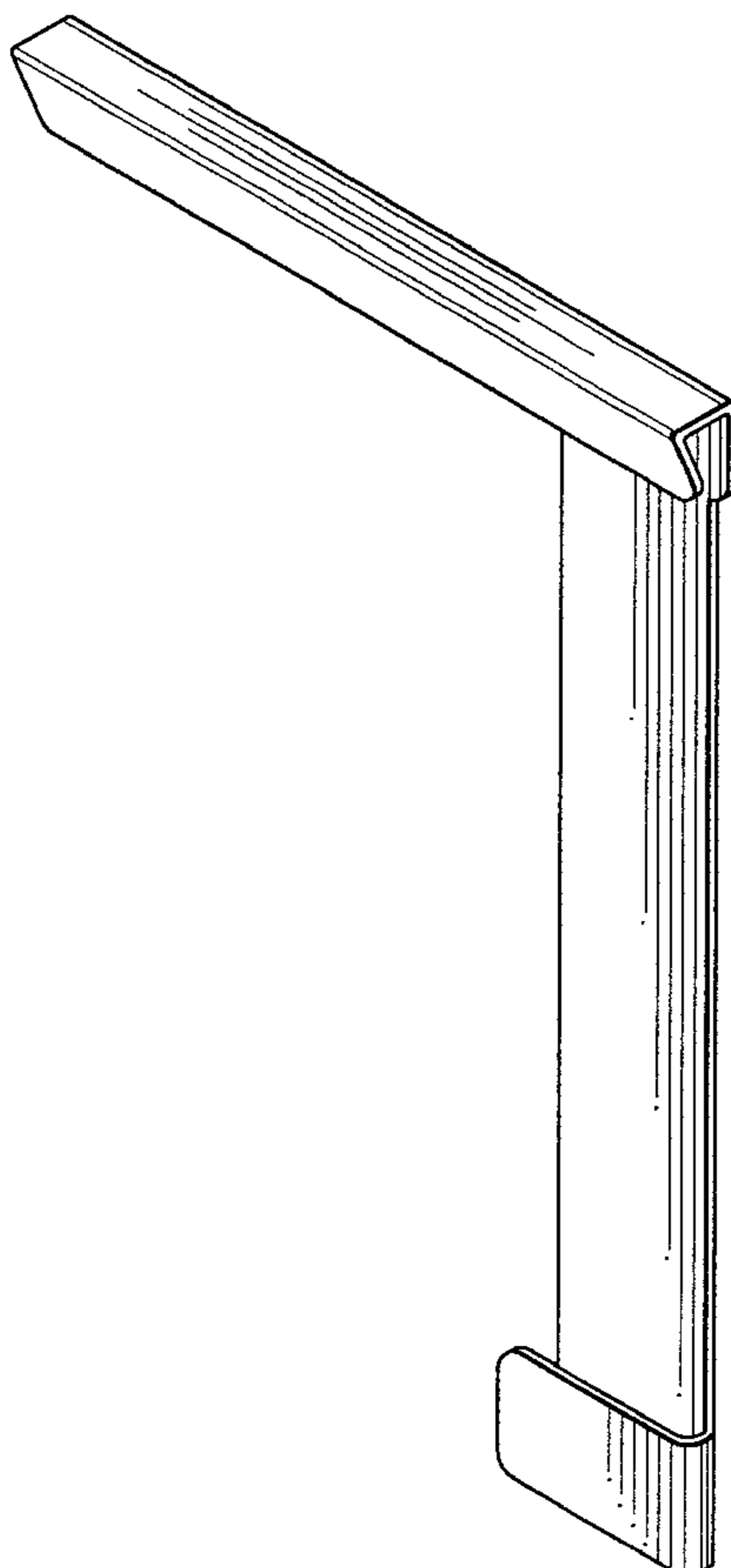
[57] CLAIM

The ornamental design for a display holder for a carpet sample, as shown and described.

DESCRIPTION

FIG. 1 is a top front right side perspective view of my new display holder for a carpet sample;
FIG. 2 is a rear elevation;
FIG. 3 is a front elevation;
FIG. 4 is a left side elevation;
FIG. 5 is a right side elevation;
FIG. 6 is a top plan view; and,
FIG. 7 is a bottom plan view.

1 Claim, 1 Drawing Sheet



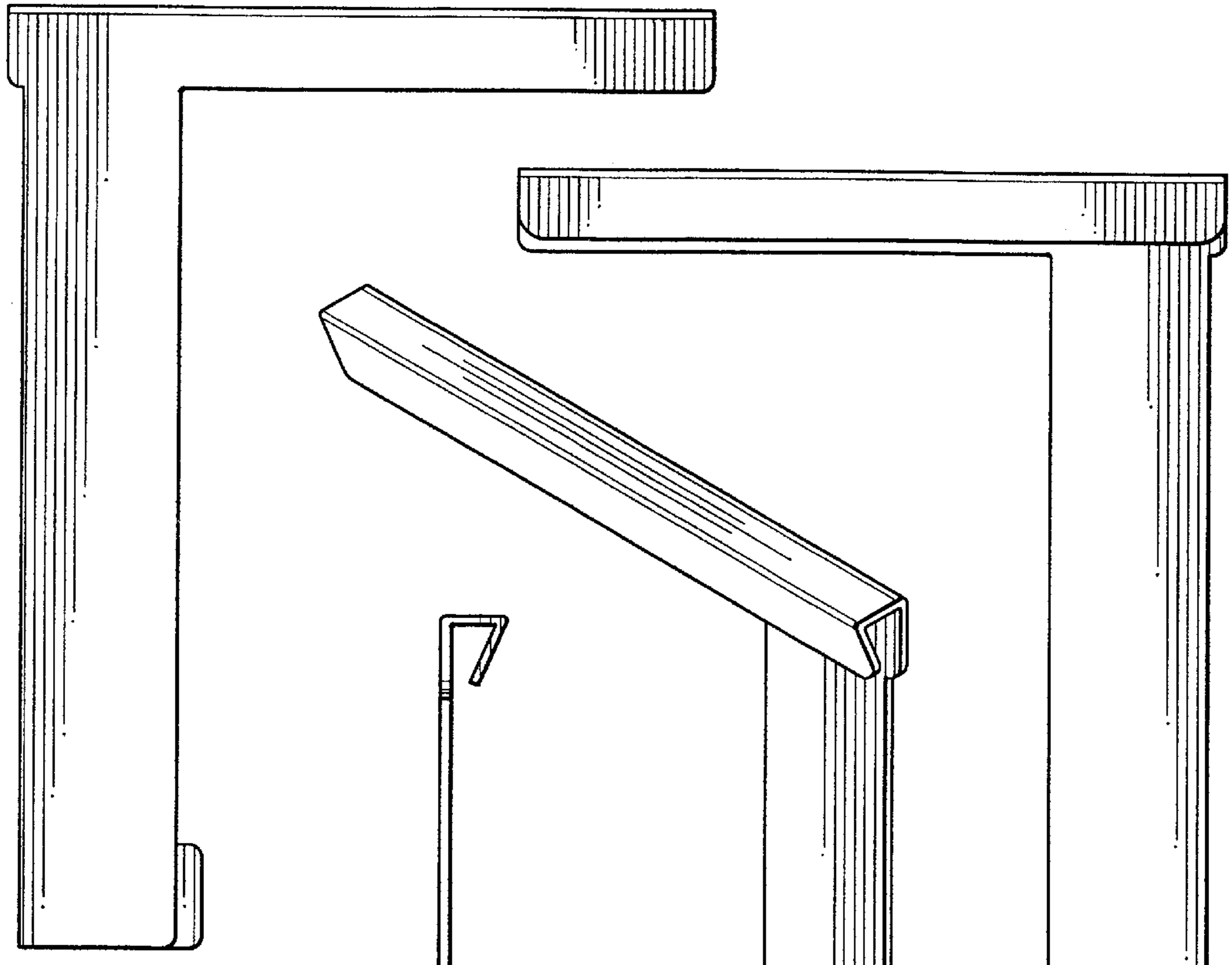


FIG. 2

FIG. 3

FIG. 1

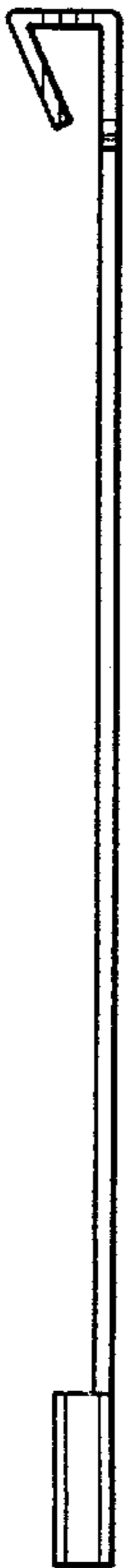


FIG. 5

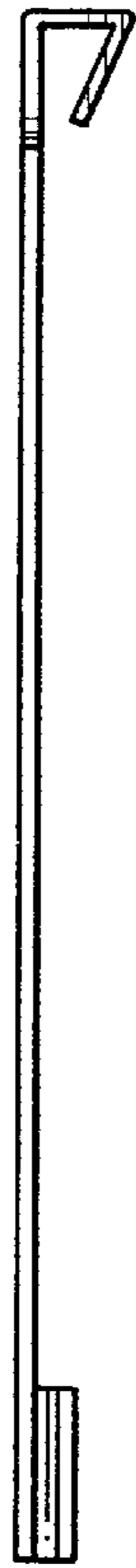


FIG. 4

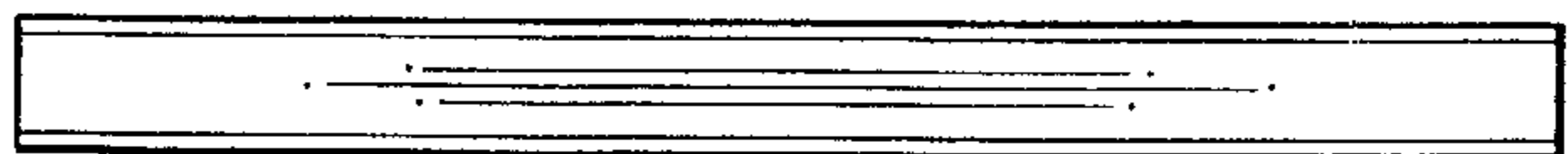
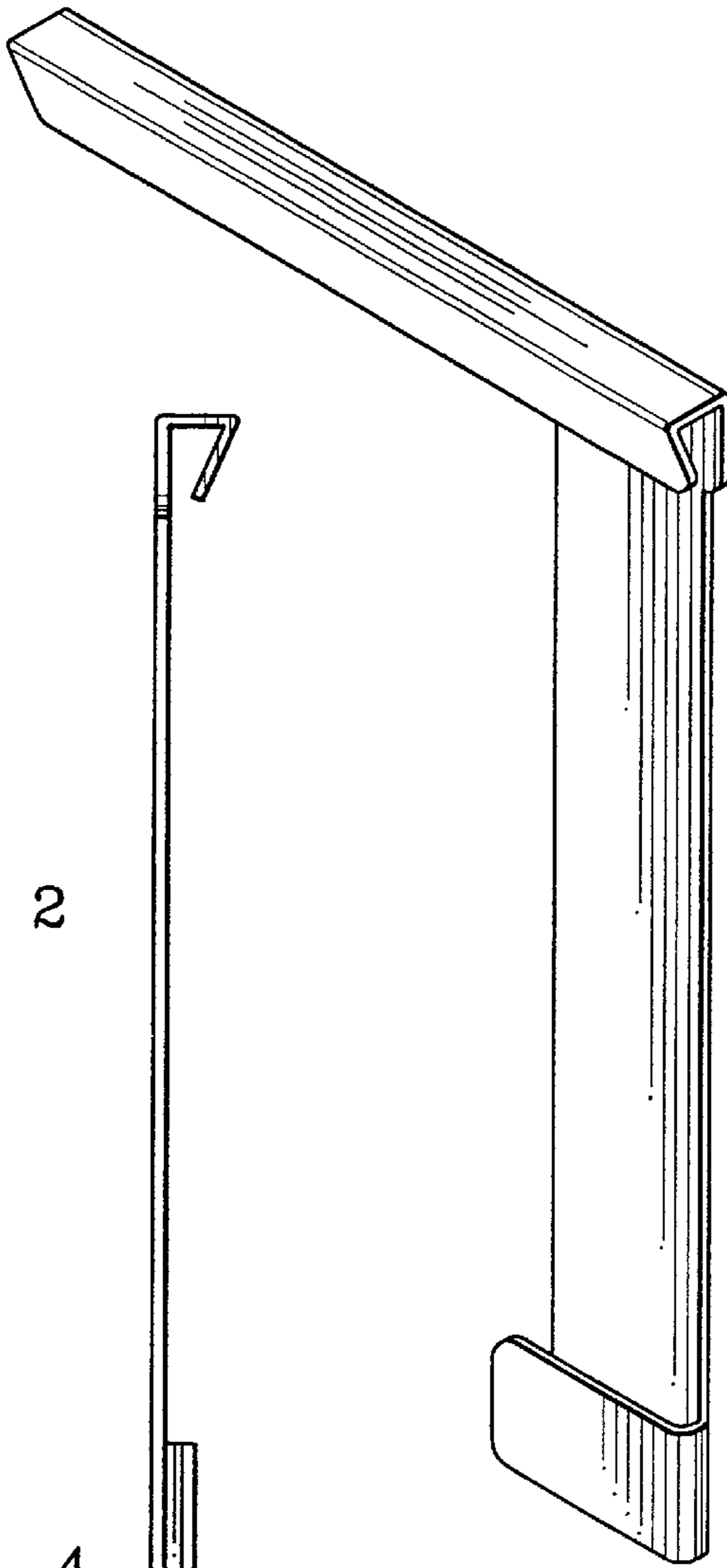


FIG. 6

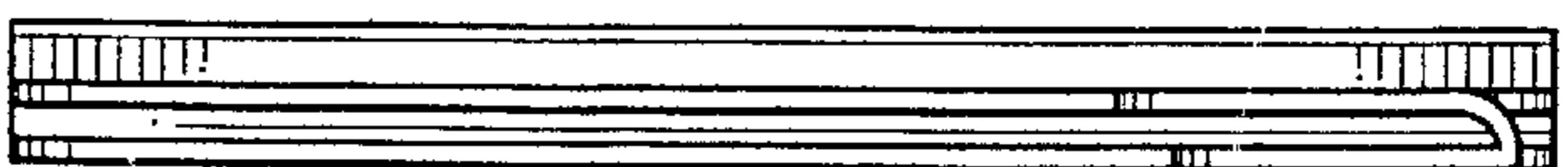


FIG. 7