



US00D414616S

United States Patent [19] Walters

[11] **Patent Number: Des. 414,616**

[45] **Date of Patent: ** Oct. 5, 1999**

[54] **CHAISE LOUNGE**

[75] Inventor: **Glenn T. Walters**, Port Washington, Wis.

[73] Assignee: **Bemis Manufacturing Company**, Sheboygan Falls, Wis.

[**] Term: **14 Years**

[21] Appl. No.: **29/094,505**

[22] Filed: **Oct. 5, 1998**

[51] **LOC (6) Cl.** **06-01**

[52] **U.S. Cl.** **D6/361**

[58] **Field of Search** D6/334, 335, 360, D6/361, 367, 370, 500, 501, 502; 297/377, DIG. 2

[56] **References Cited**

U.S. PATENT DOCUMENTS

- D. 357,154 4/1995 Hess D6/361
- D. 372,798 8/1996 Robertson et al. D6/361

D. 404,582 1/1999 Robertson, Jr. et al. D6/361

Primary Examiner—Gary D. Watson
Attorney, Agent, or Firm—Michael Best & Friedrich LLP

[57] **CLAIM**

The ornamental design for a chaise lounge, as shown and described.

DESCRIPTION

FIG. 1 is a perspective view of a chaise lounge showing my new design with the backrest in one of a number of possible positions;

FIG. 2 is a top plan view thereof;

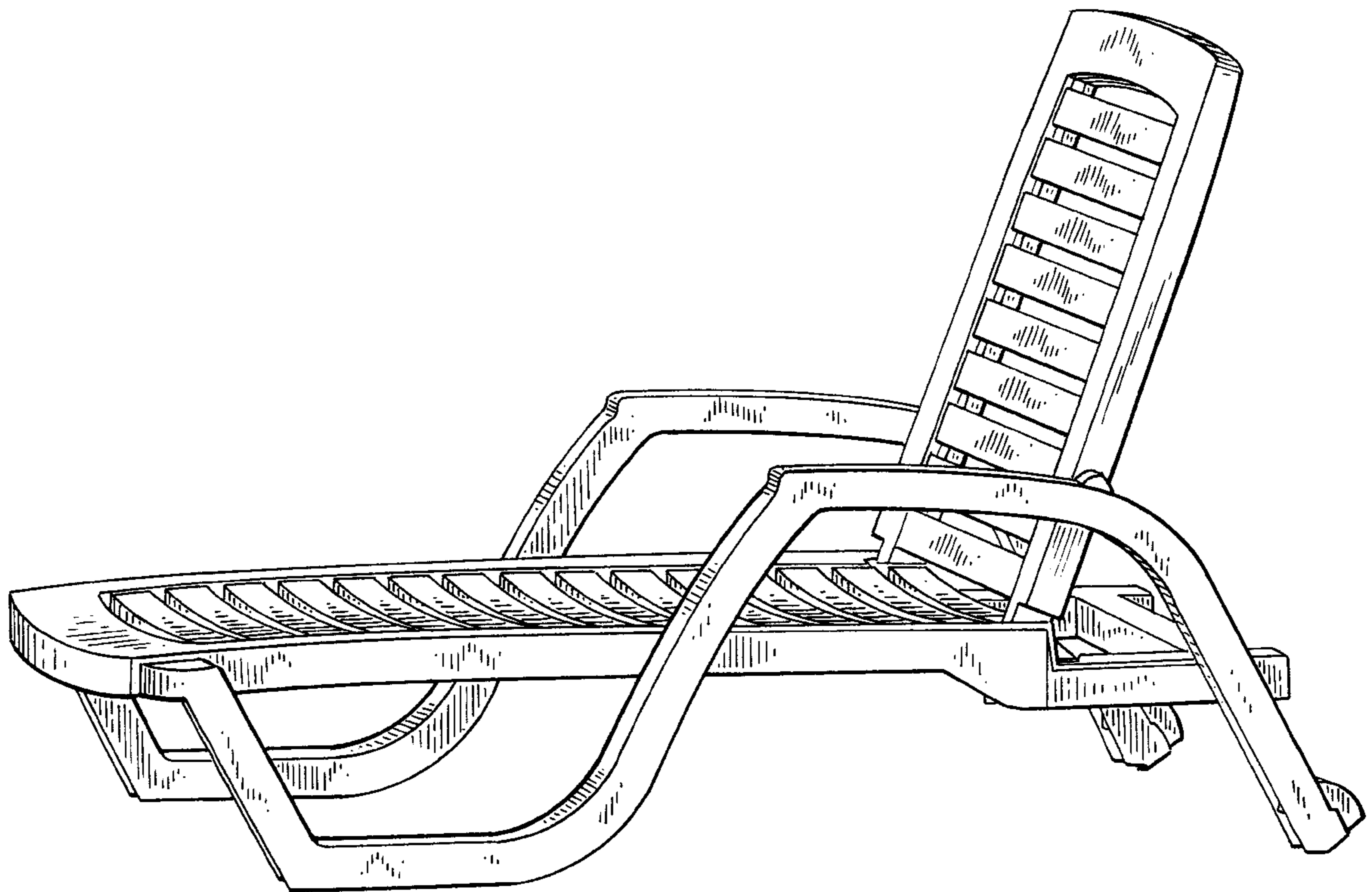
FIG. 3 is a front elevational view thereof;

FIG. 4 is a right side elevational view thereof, the left side view being a mirror image of that shown; and,

FIG. 5 is a rear elevational view thereof.

The bottom surface of the chaise lounge is not part of the design sought to be patented and is therefore not shown. The design sought to be patented includes the backrest in any one of a number of possible positions.

1 Claim, 4 Drawing Sheets



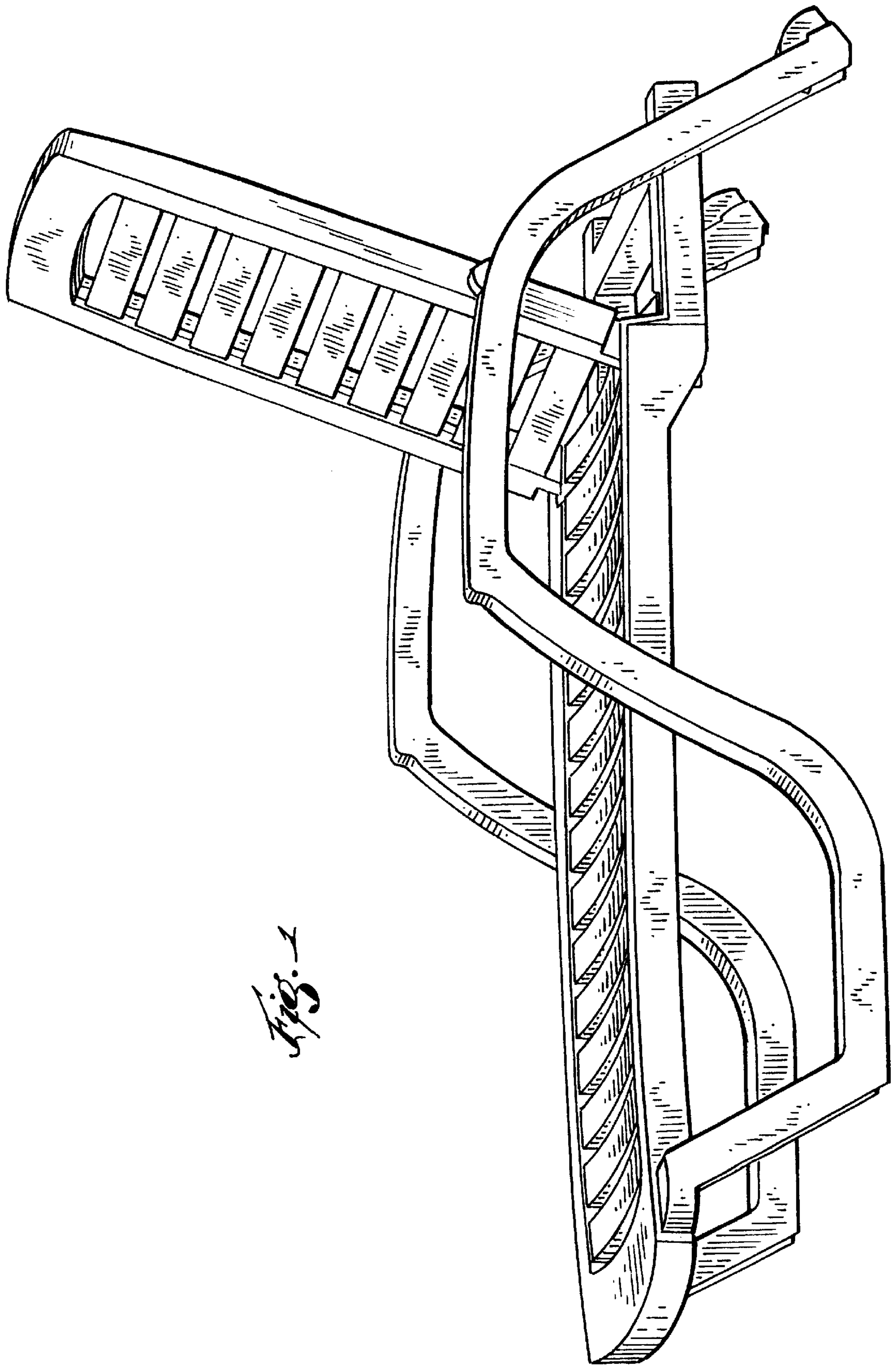


Fig. 1

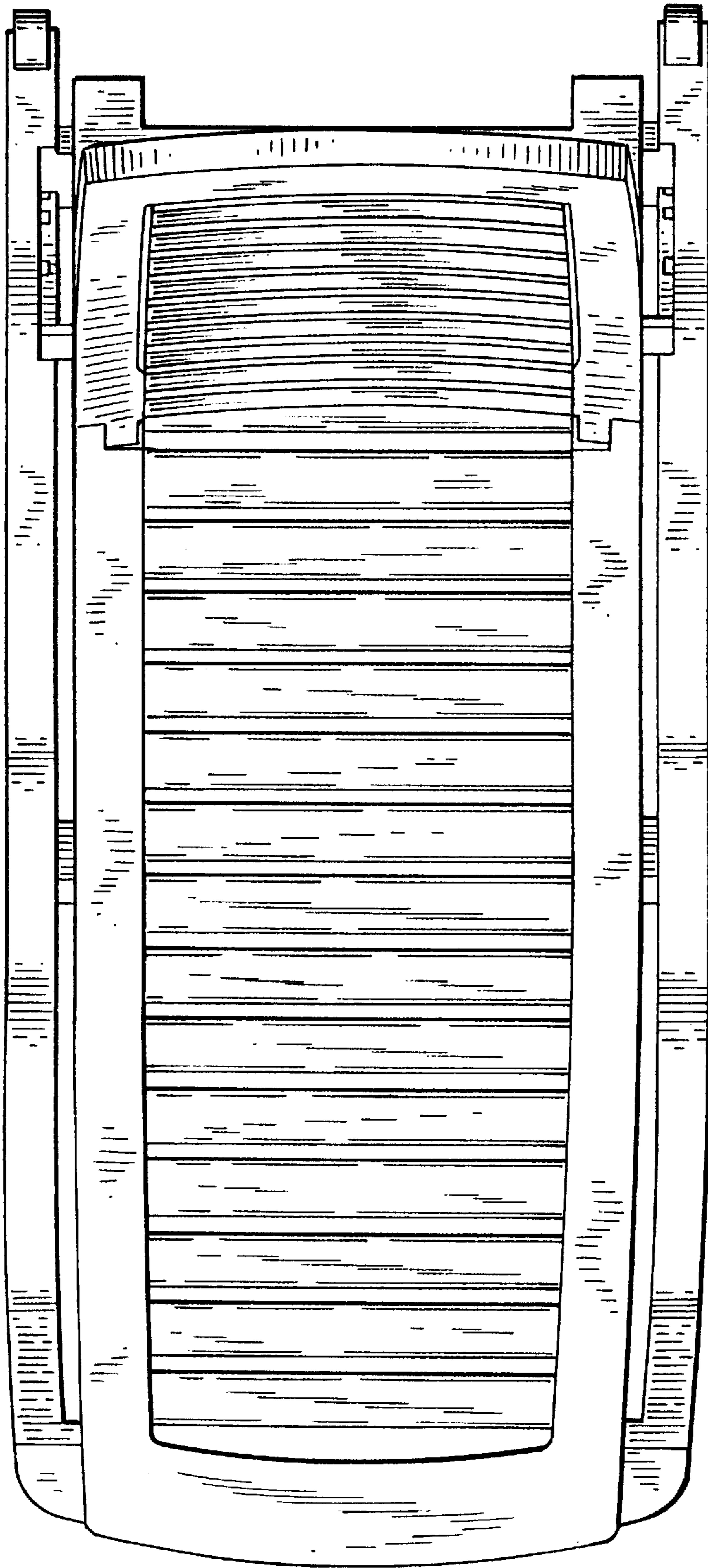
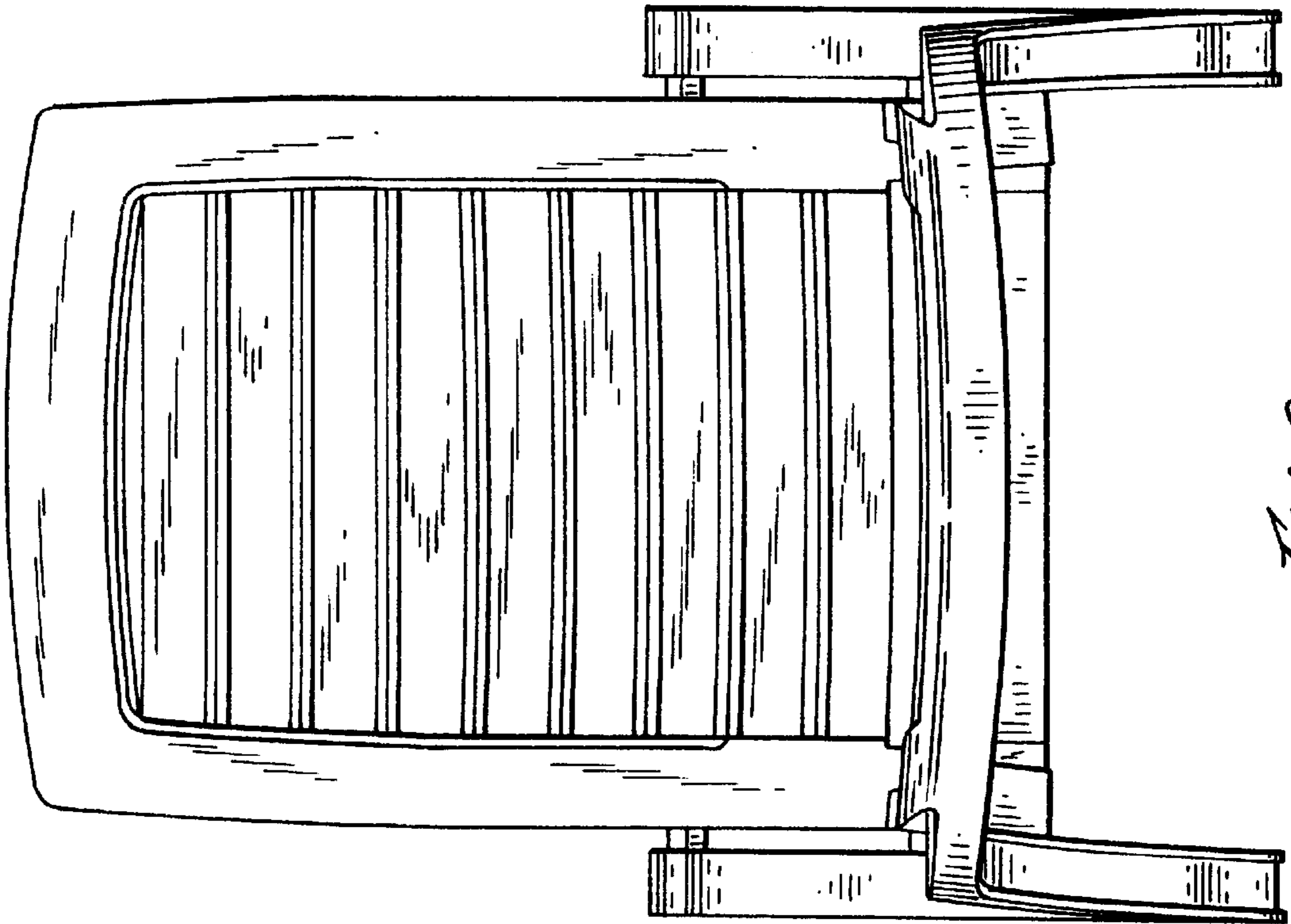
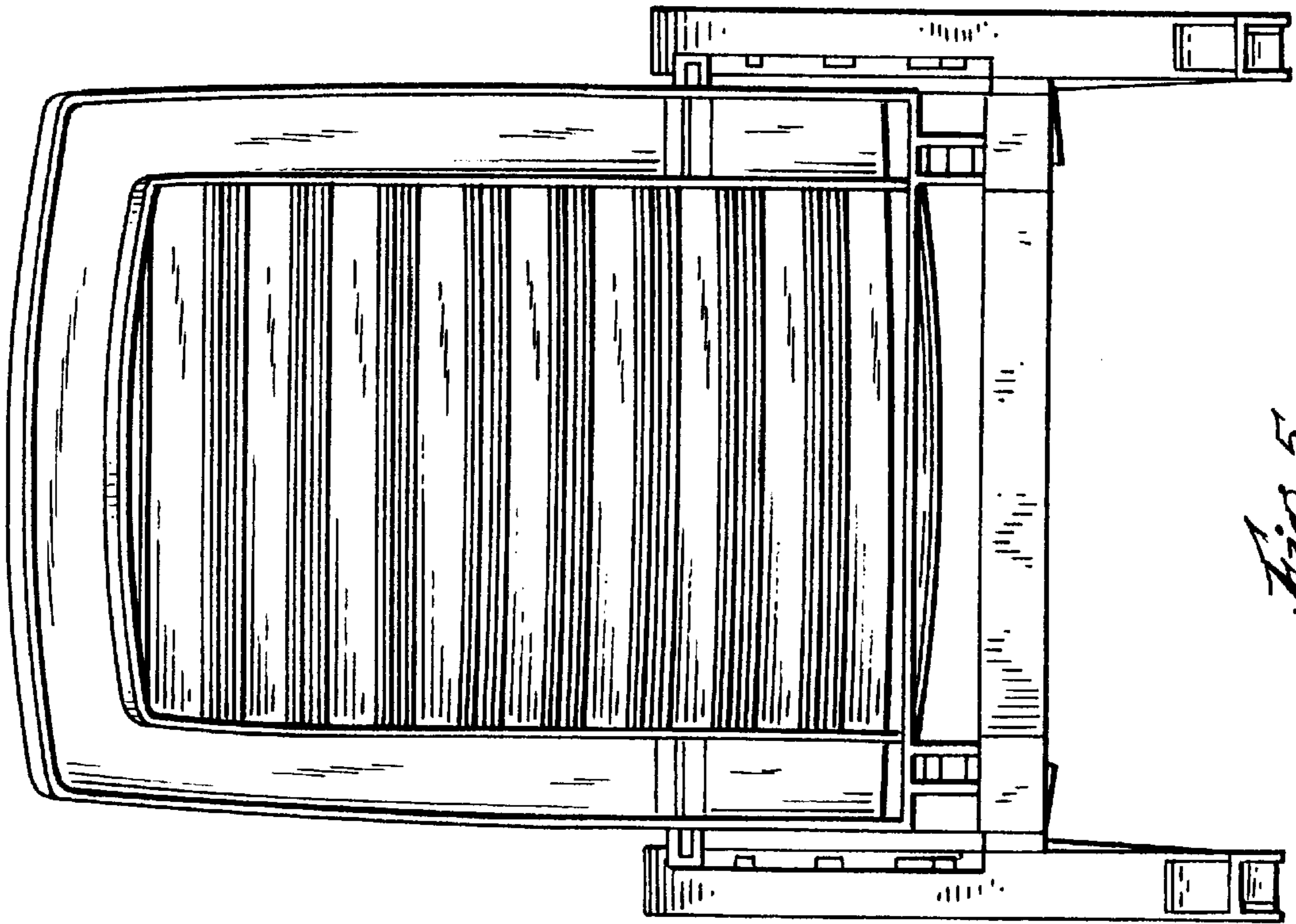


Fig. 2



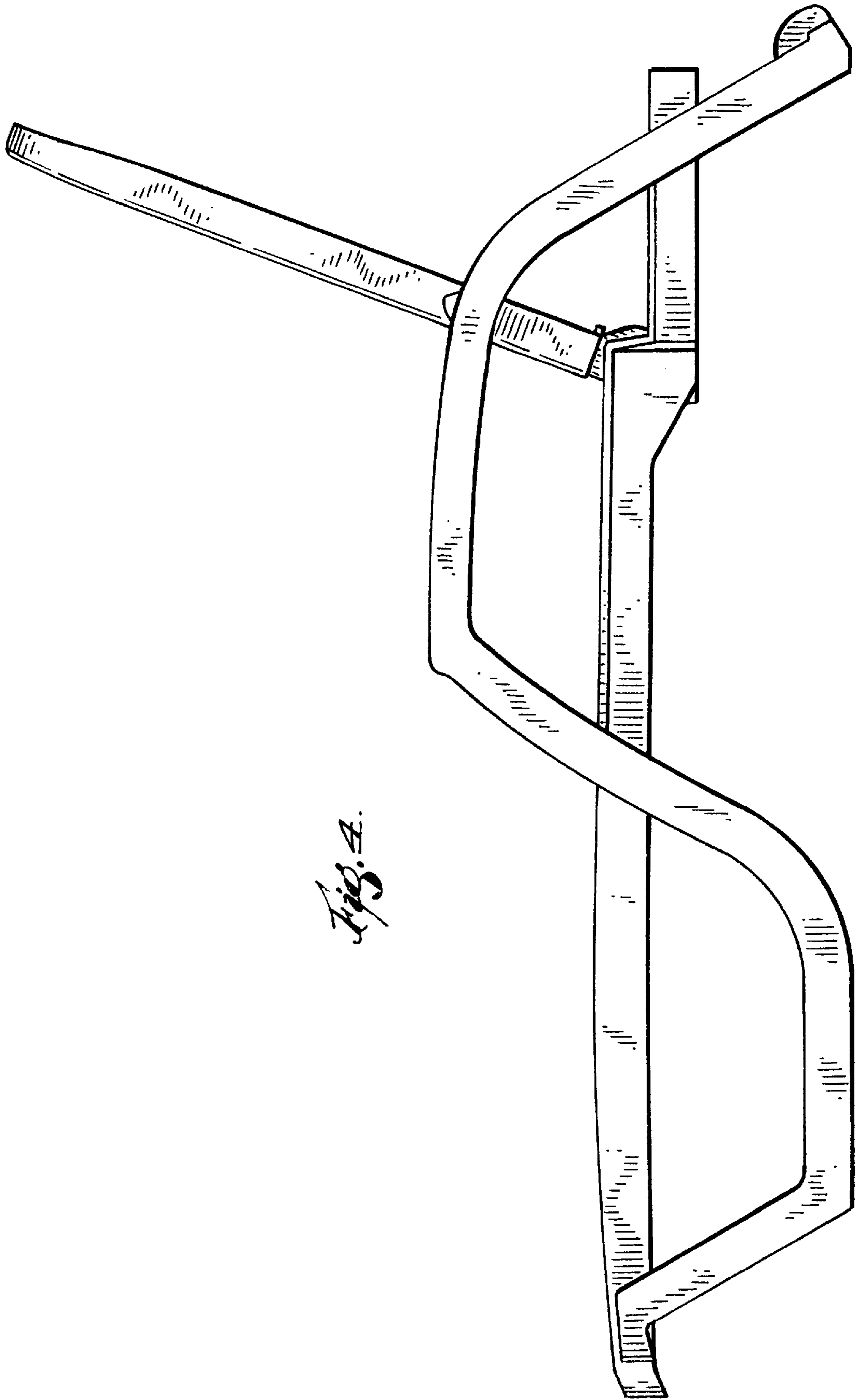


Fig. 4.