



US00D414615S

United States Patent [19] Sedlack

[11] **Patent Number: Des. 414,615**
[45] **Date of Patent: ** Oct. 5, 1999**

[54] **INFANT CAR BED SHELL**
[75] Inventor: **Mark A. Sedlack**, Cuyahoga Falls, Ohio
[73] Assignee: **Graco Children's Products Inc.**, Elverson, Pa.
[**] Term: **14 Years**
[21] Appl. No.: **29/078,890**
[22] Filed: **Oct. 31, 1997**
[51] **LOC (6) Cl.** **06-01**
[52] **U.S. Cl.** **D6/333**
[58] **Field of Search** D6/333, 334, 335, D6/375, 500, 501, 502; 5/94; 297/188.08, 217.1, 277

3,659,865 5/1972 Nothacker 280/7.1
3,833,946 9/1974 Wimmersperg 5/94
4,371,206 2/1983 Johnson, Jr. 297/183
4,681,368 7/1987 Health et al. 5/94
4,943,113 7/1990 Meeker 297/250
5,005,234 4/1991 Kelleher et al. 5/94
5,092,004 3/1992 Cone et al. 5/94
5,115,523 5/1992 Cone 5/94

Primary Examiner—Doris V. Coles
Assistant Examiner—Mimosa De
Attorney, Agent, or Firm—Richard B. O'Planick

[57] CLAIM

The ornamental design for an infant car bed shell, as shown and described.

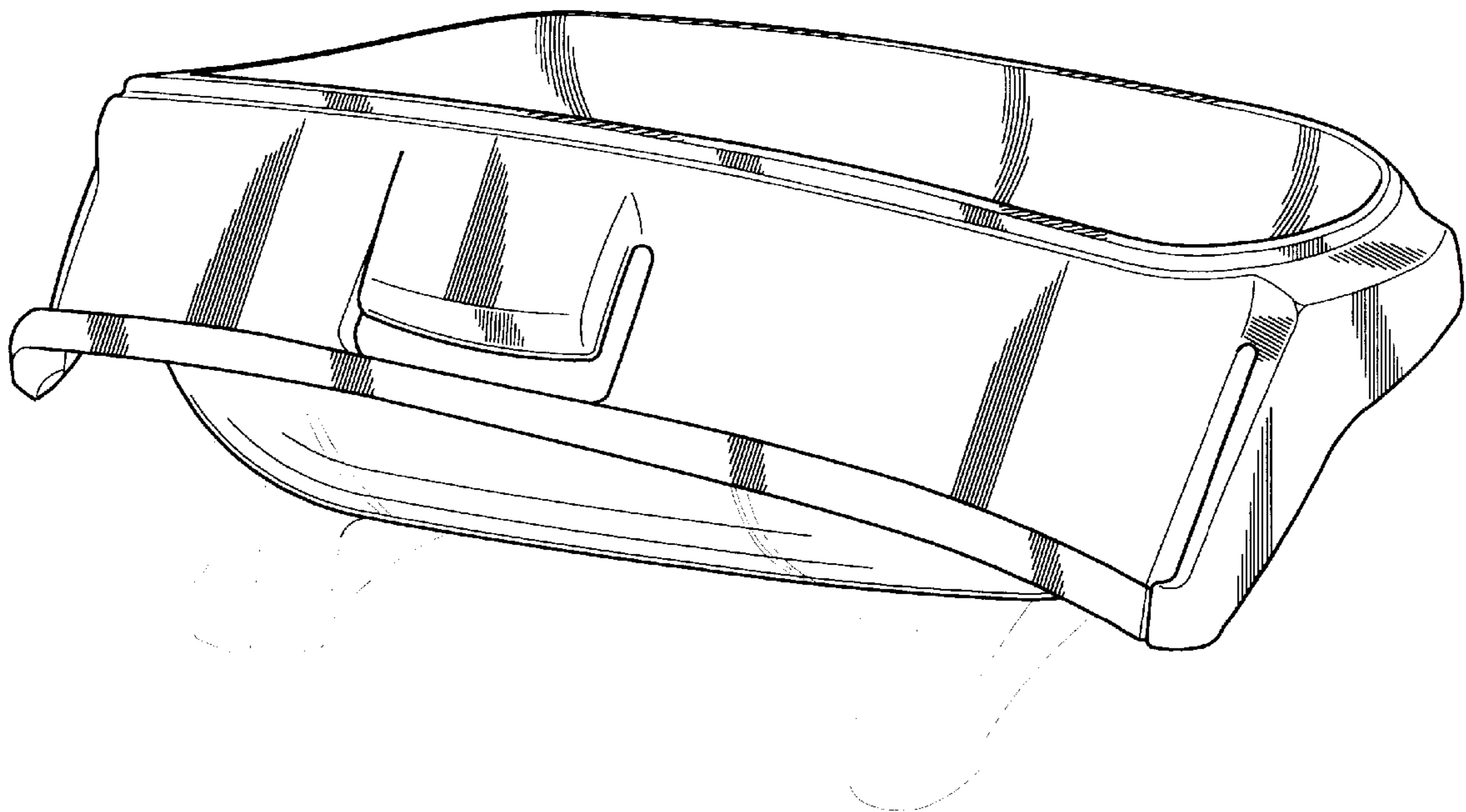
DESCRIPTION

FIG. 1 is a top right front perspective view of an infant car bed shell showing my new design;
FIG. 2 is a top right rear perspective view thereof;
FIG. 3 is a right side elevational view thereof; the left side elevational view being a mirror image;
FIG. 4 is a front elevational view thereof;
FIG. 5 is a top plan view thereof;
FIG. 6 is a rear elevational view thereof; and,
FIG. 7 is a bottom plan view thereof.
The broken line showing of legs and slots in FIGS. 1 through 7 are for illustrative purposes only and form no part of the claimed design.

[56] References Cited U.S. PATENT DOCUMENTS

D. 305,583	1/1990	Turner et al.	D6/333
D. 311,822	11/1990	Meeker	D6/333
D. 323,432	1/1992	Morton	D6/333
D. 325,132	4/1992	Cone	D6/333
D. 333,389	2/1993	Saito et al.	D6/356
D. 369,911	5/1996	Turner	D6/333
3,054,637	9/1962	Pambello	297/4
3,115,364	12/1963	Berlin	297/130
3,334,944	8/1967	Gould et al.	297/377
3,409,325	11/1968	Hamilton et al.	297/377

1 Claim, 7 Drawing Sheets



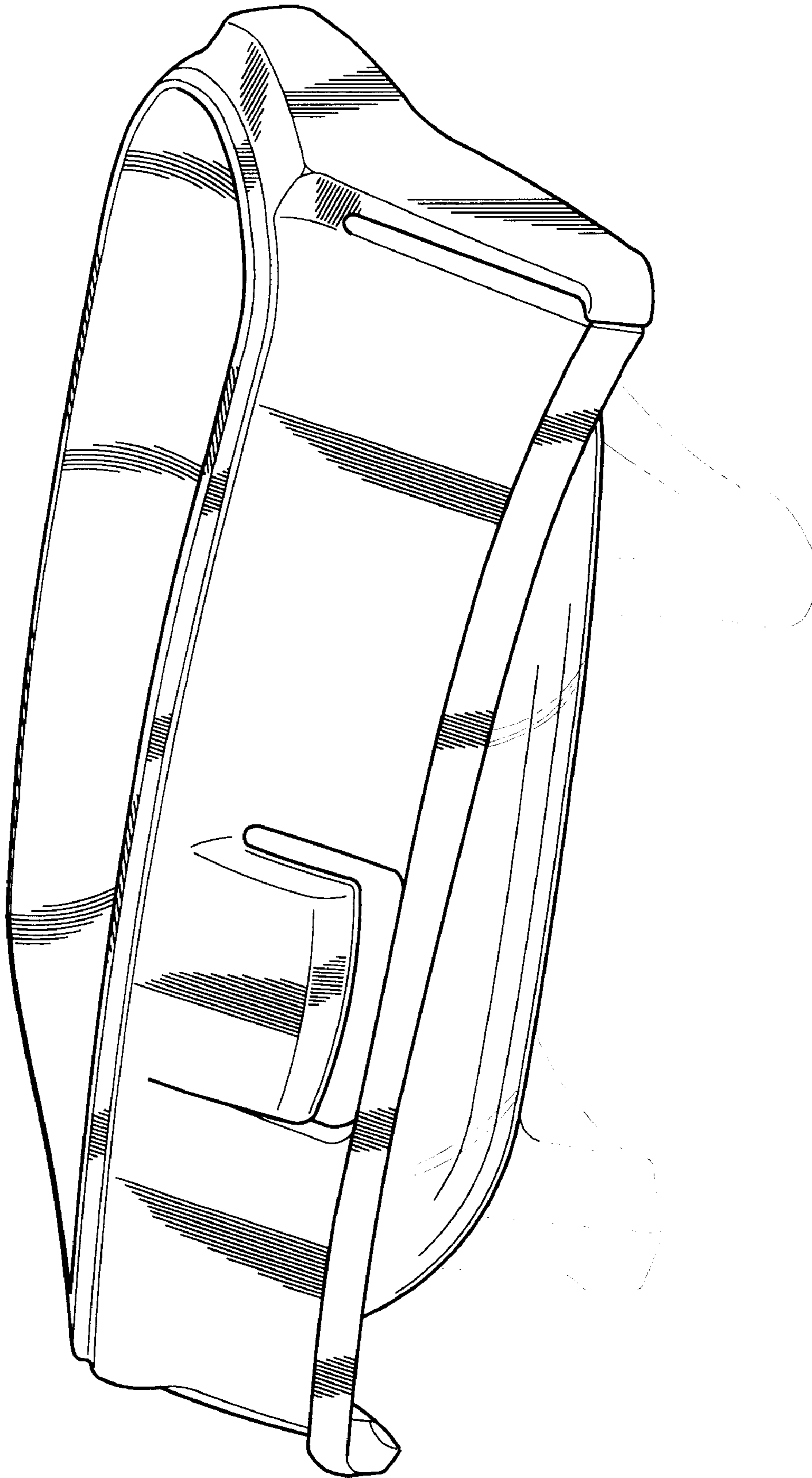


Fig-1

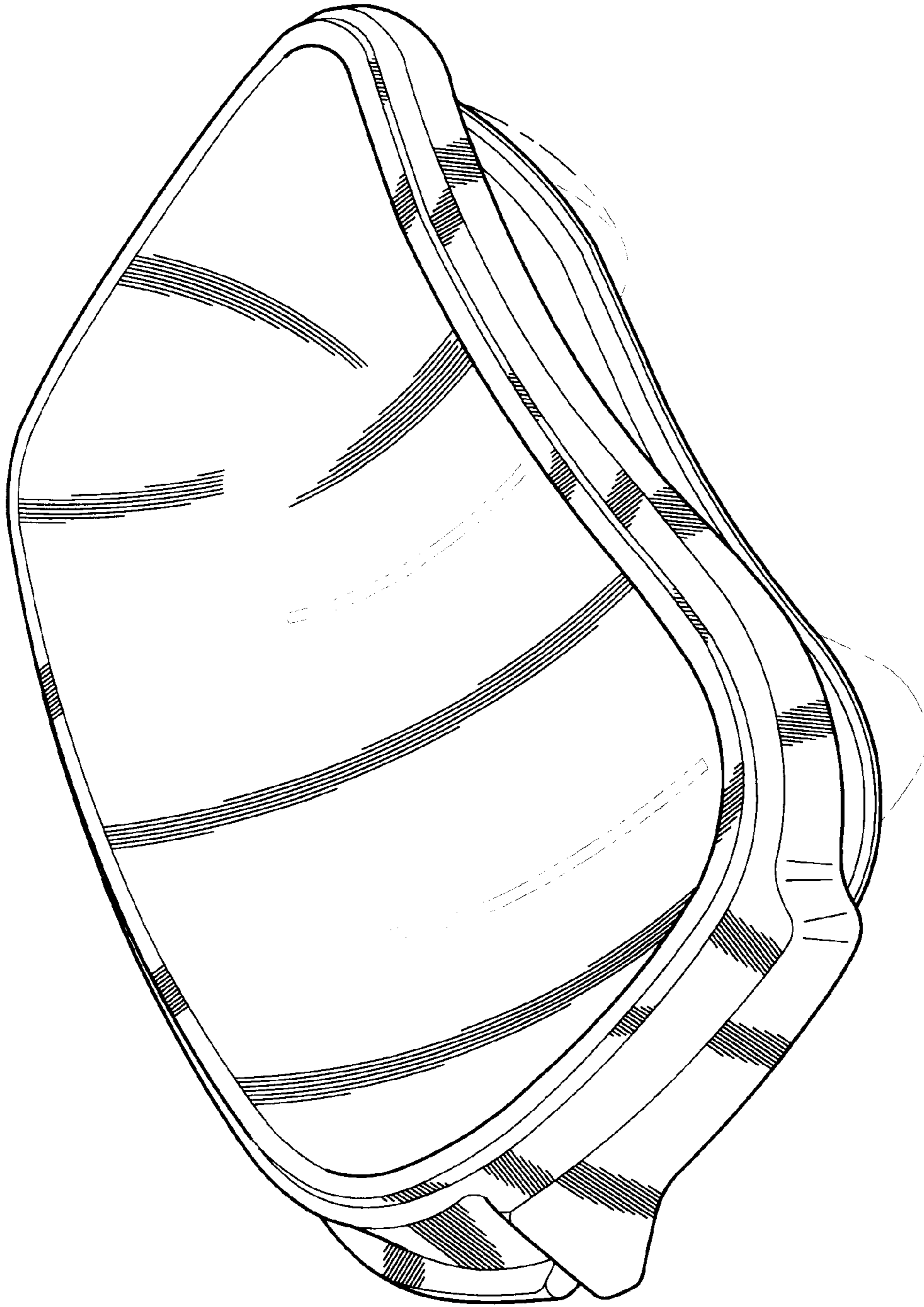


Fig-2

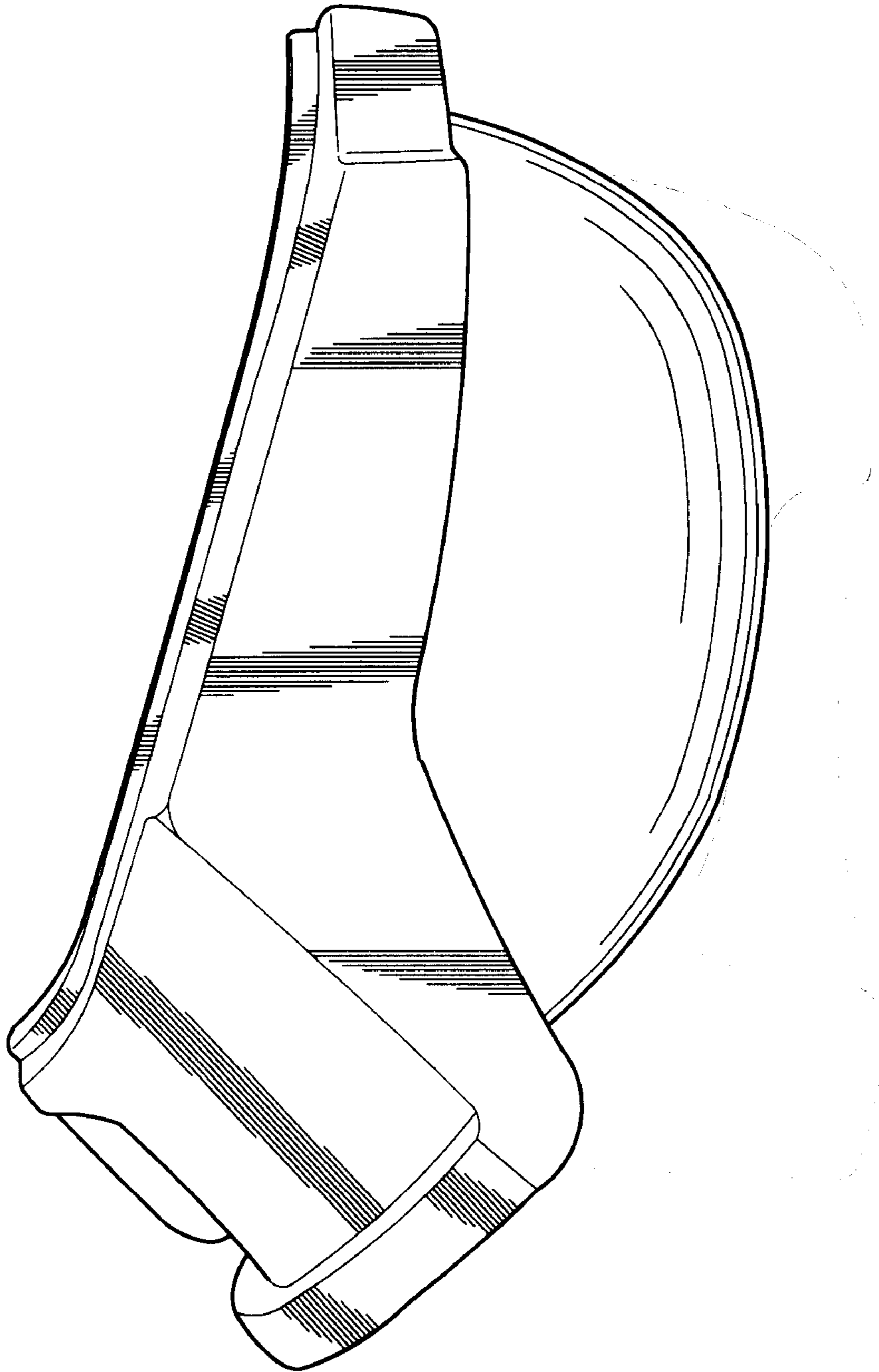


Fig-3

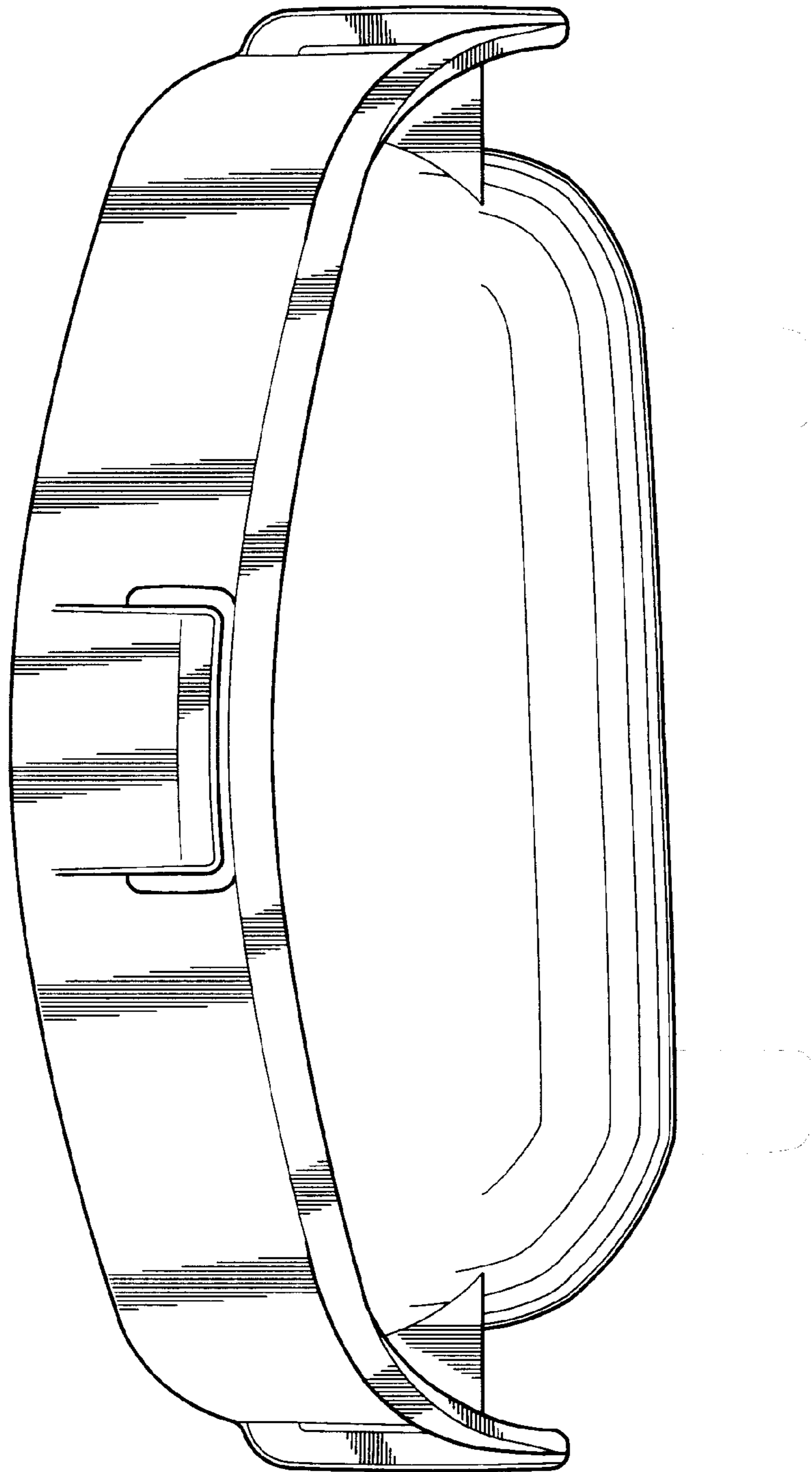


Fig-4

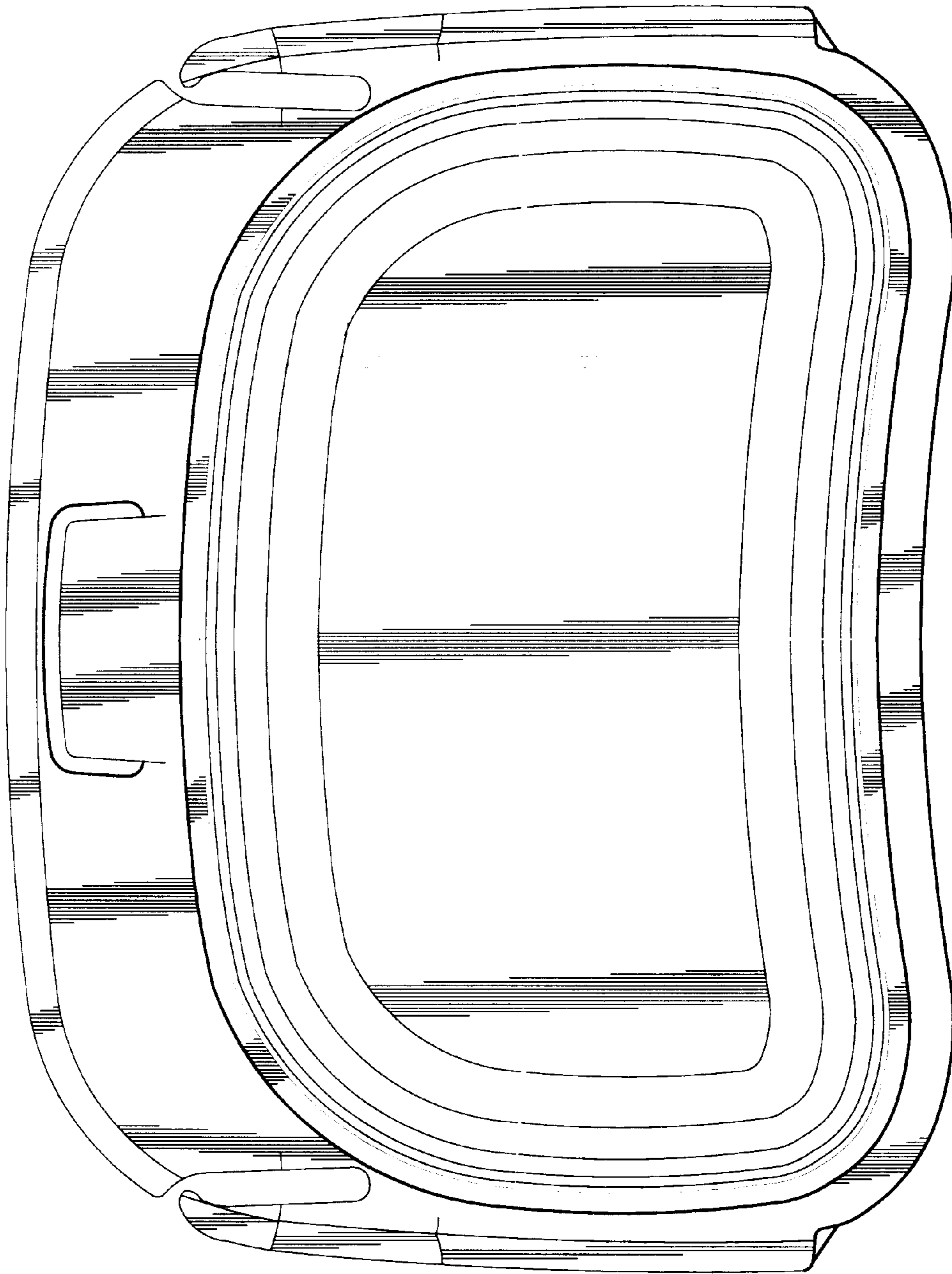


FIG-5

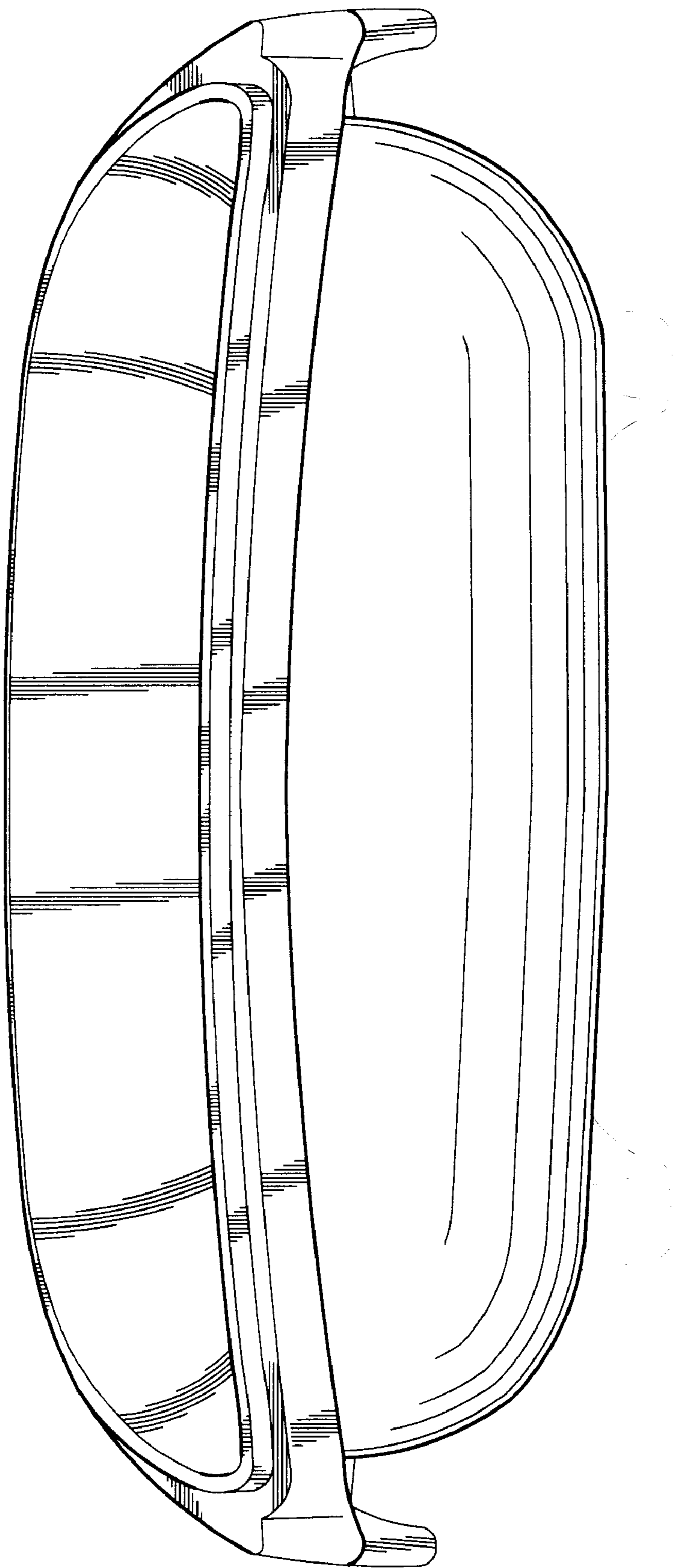


Fig-6

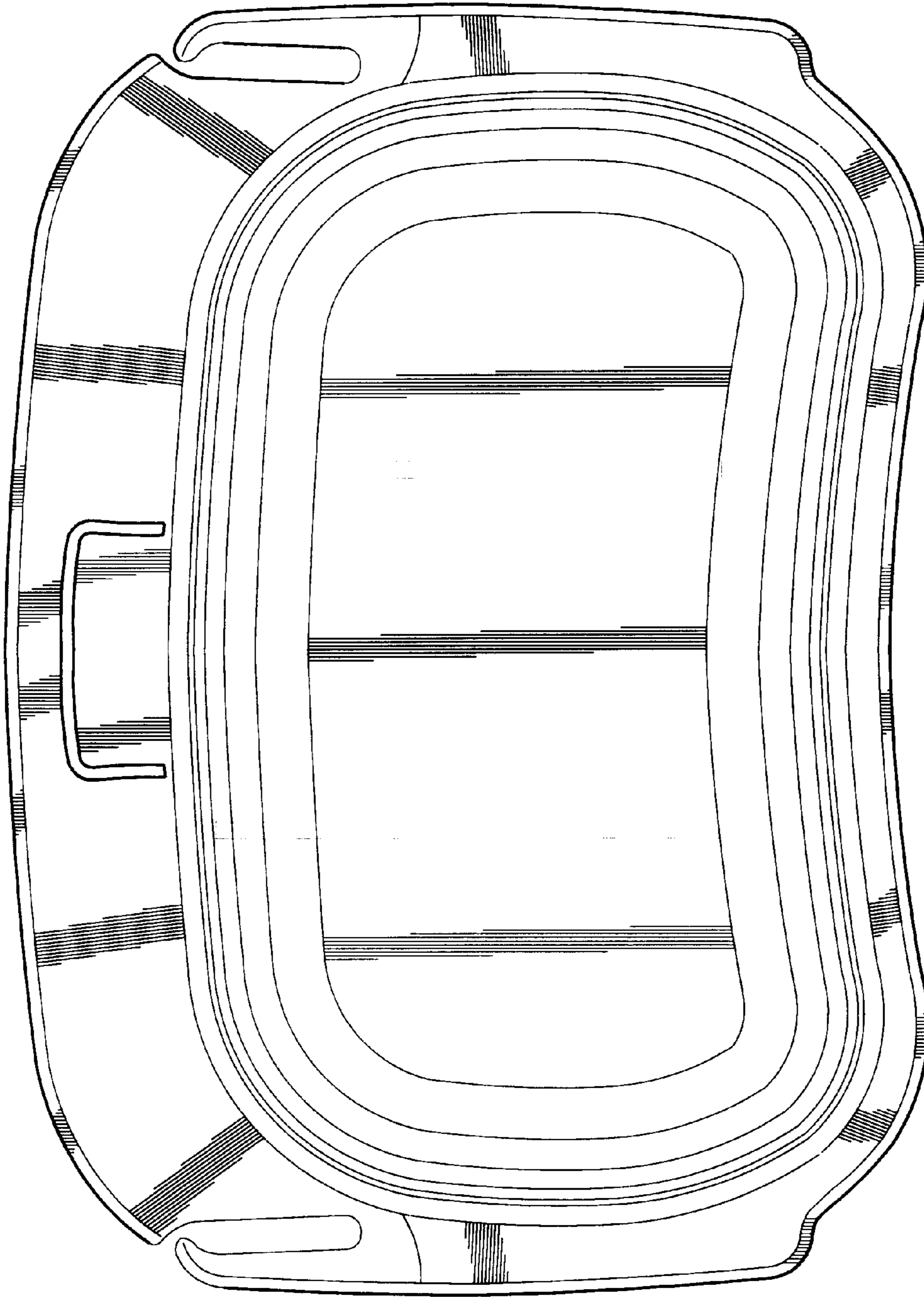


Fig-7