



US00D414610S

United States Patent [19]
Davila

[11] **Patent Number: Des. 414,610**

[45] **Date of Patent: ** Oct. 5, 1999**

[54] **HAIRBRUSH HANDLE**

[75] Inventor: **Catherine M. Davila**, Seattle, Wash.

[73] Assignee: **Chainlink, Inc.**, Seattle, Wash.

[**] Term: **14 Years**

[21] Appl. No.: **29/092,185**

[22] Filed: **Aug. 13, 1998**

[51] **LOC (6) Cl.** **04-02**

[52] **U.S. Cl.** **D4/138**

[58] **Field of Search** D4/133, 134, 138;
D7/395; D8/107, DIG. 7; 15/143.1, 159.1,
145, 160; 16/110 R, 114 R, 114 A

[56] **References Cited**

U.S. PATENT DOCUMENTS

D. 258,861	4/1981	Bratton et al.	D7/395 X
D. 360,987	8/1995	Sorenson	D4/138
D. 365,687	1/1996	Gertsma et al.	D4/133
D. 394,783	6/1998	Ancona et al.	D7/395

OTHER PUBLICATIONS

Centrix Designs. Brochure. "Téchnique™" thermal collection. ©1993 Centrix Designs. San Francisco, California. 2 pages.

Centrix Designs. Brochure. "The Latest In Téchnique™ For the Stylist, Technique Round Metal Barrel Brushes With New Removable Sectioning Pick Designed Especially for the Stylist." ©1994 Centrix Designs. San Francisco, California. 1 page.

Primary Examiner—Alan P. Douglas
Assistant Examiner—Lavone D. Tabor
Attorney, Agent, or Firm—Ronald M. Anderson

[57] **CLAIM**

The ornamental design for a hairbrush handle, as shown and described.

DESCRIPTION

FIG. 1 is an isometric view of a hairbrush handle, showing my new design;

FIG. 2 is a top plan view thereof;

FIG. 3 is a bottom plan view thereof;

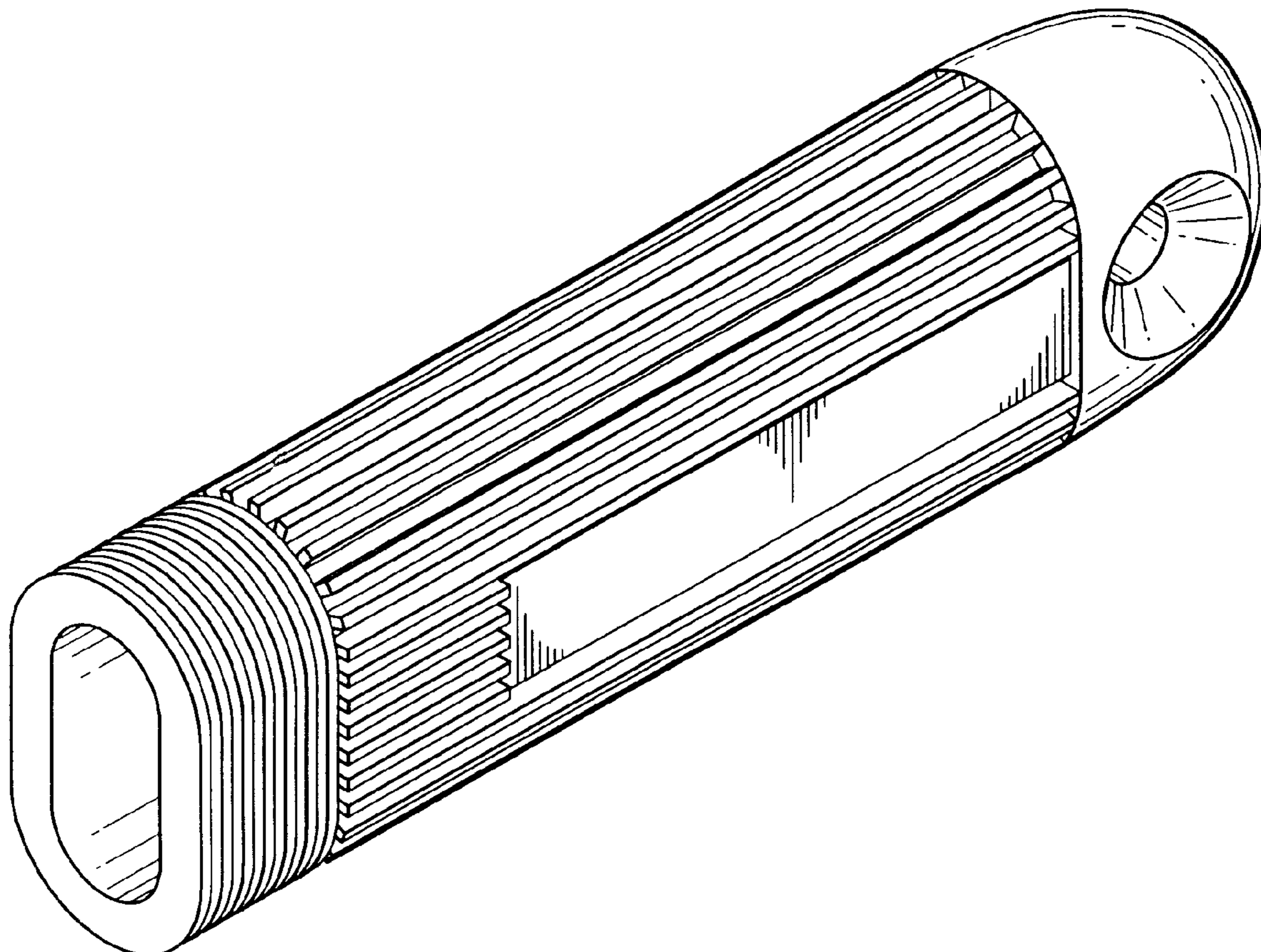
FIG. 4 is an elevational view of one side thereof;

FIG. 5 is an elevational view of an opposite side thereof;

FIG. 6 is an elevational view of one end thereof; and,

FIG. 7 is an elevational view of an opposite end thereof.

1 Claim, 2 Drawing Sheets



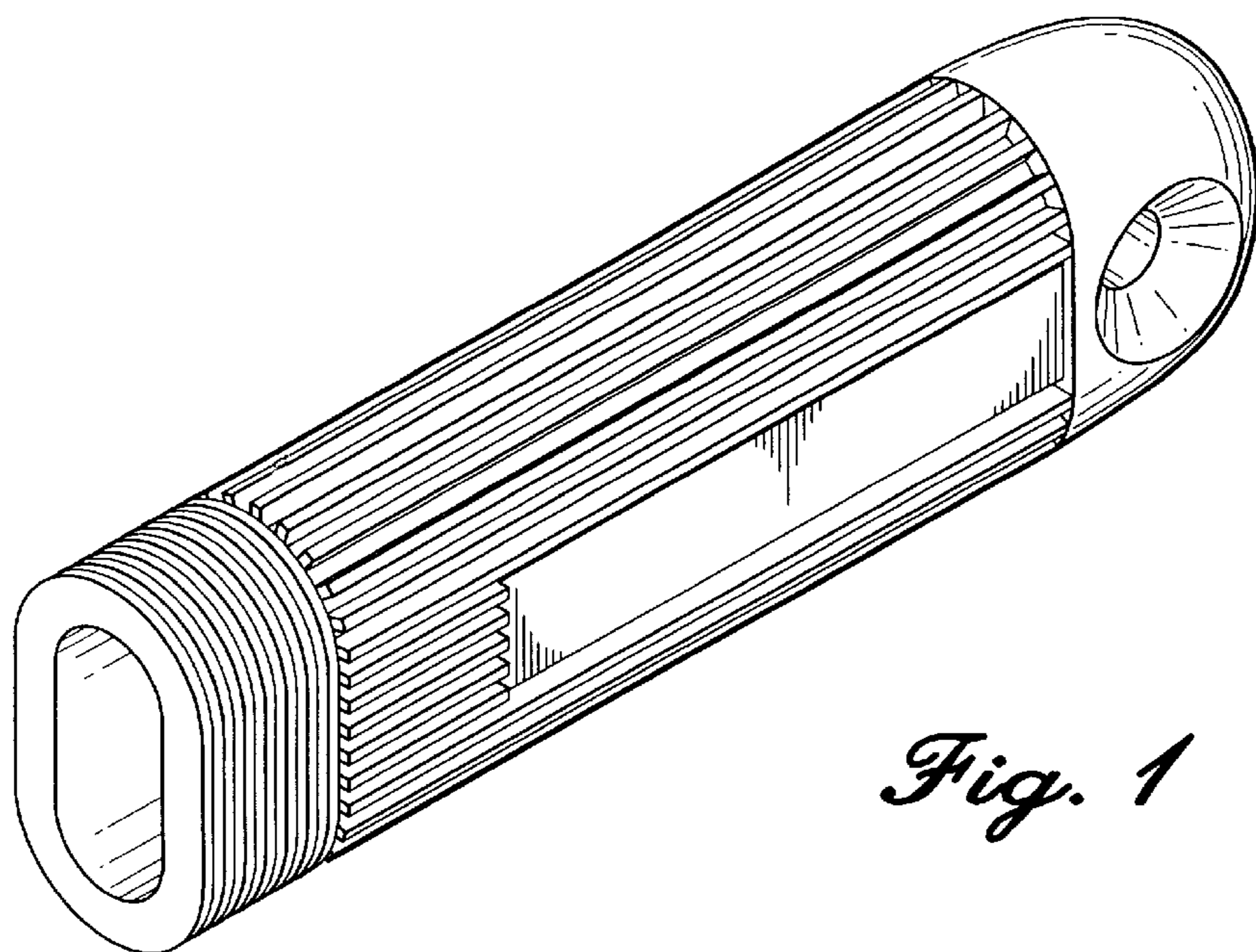


Fig. 1

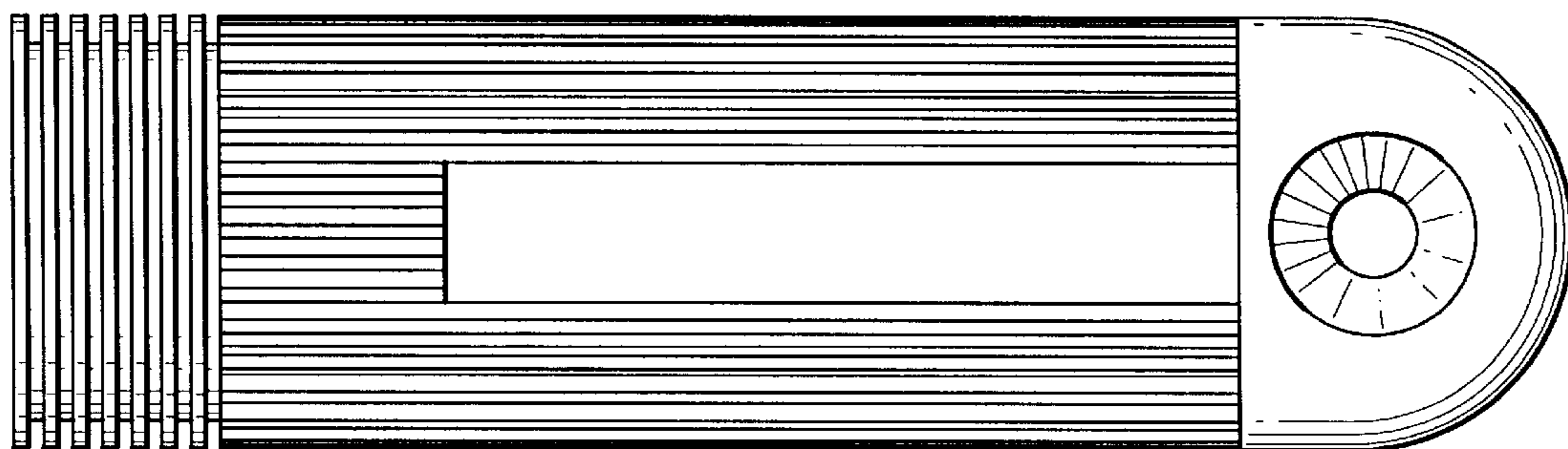


Fig. 2

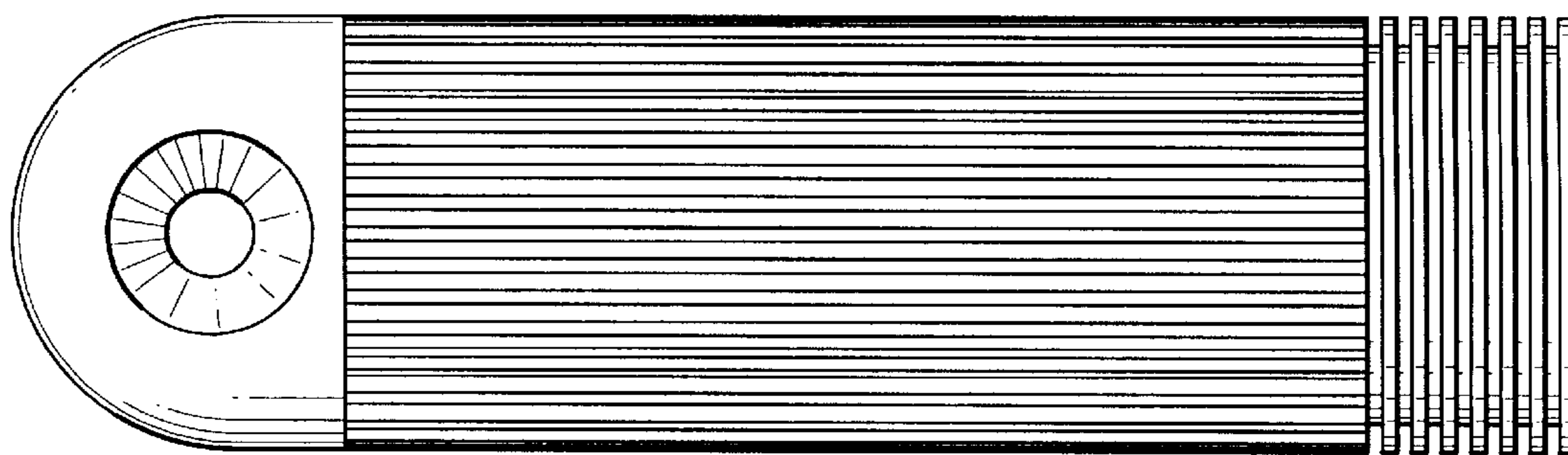


Fig. 3

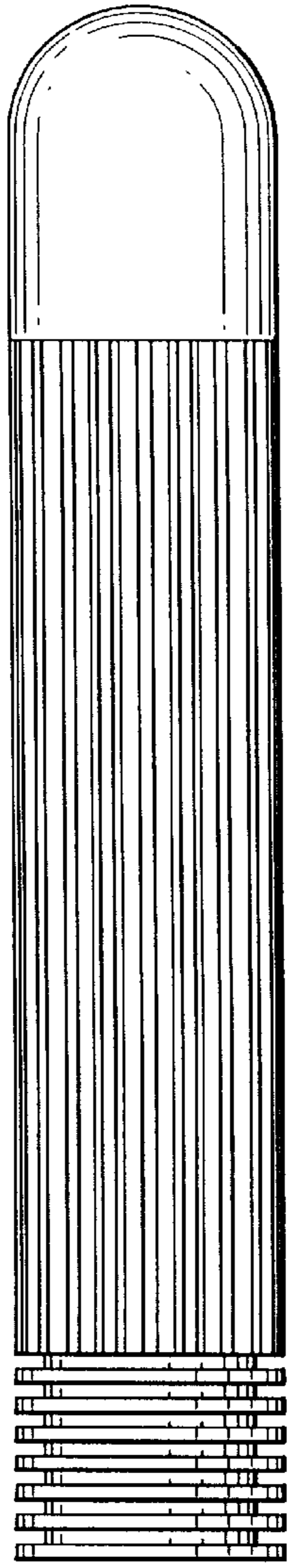


Fig. 4

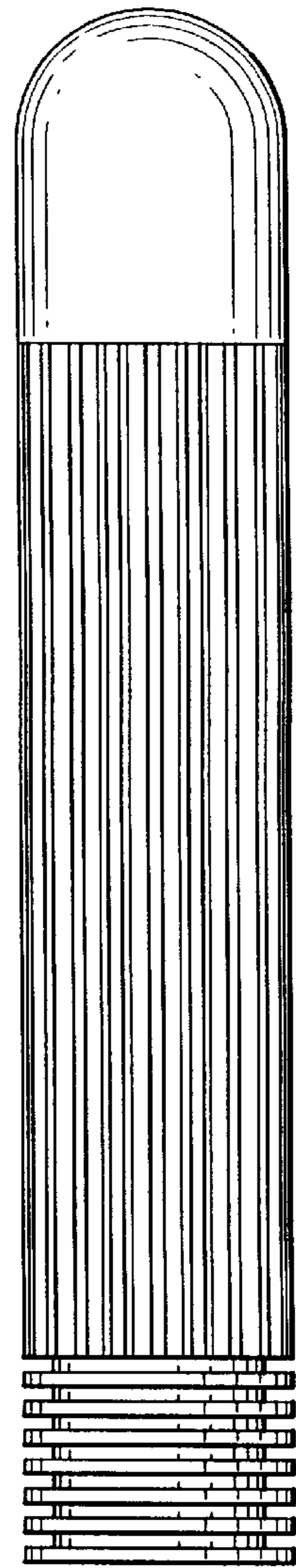


Fig. 5

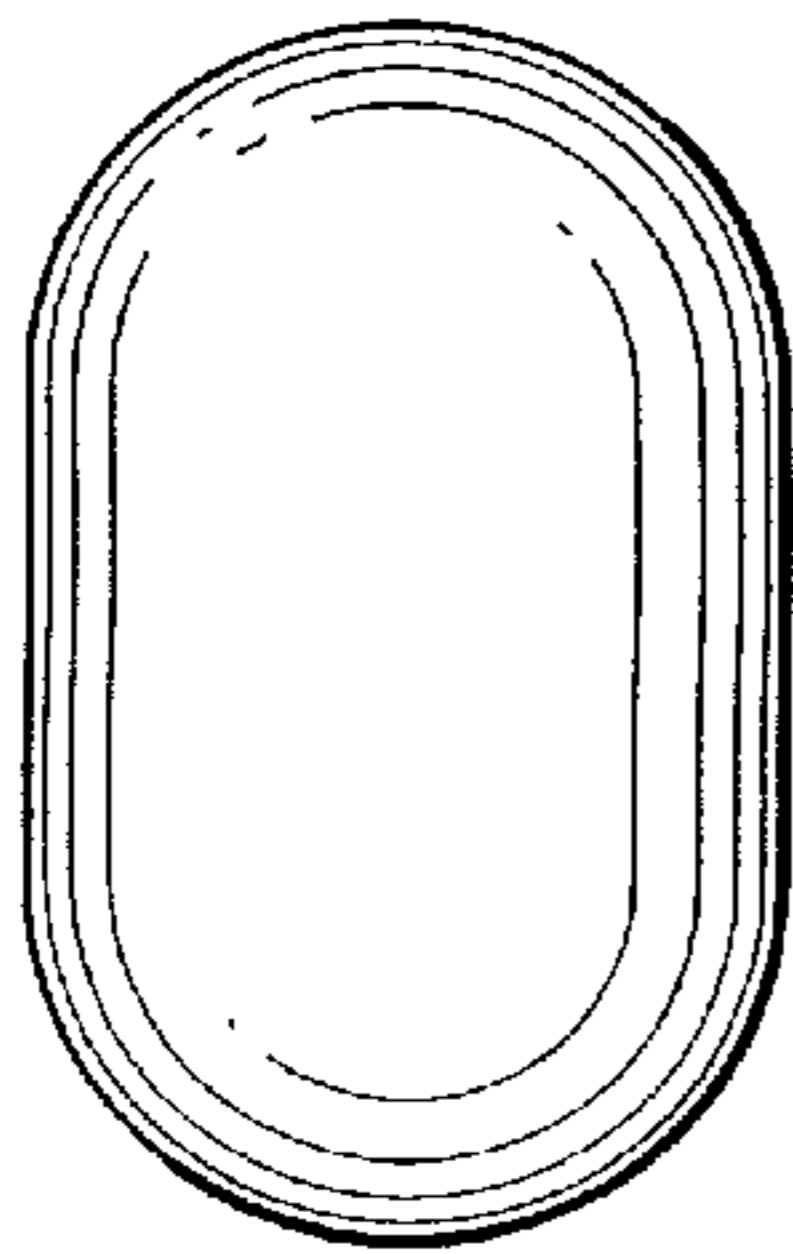


Fig. 6

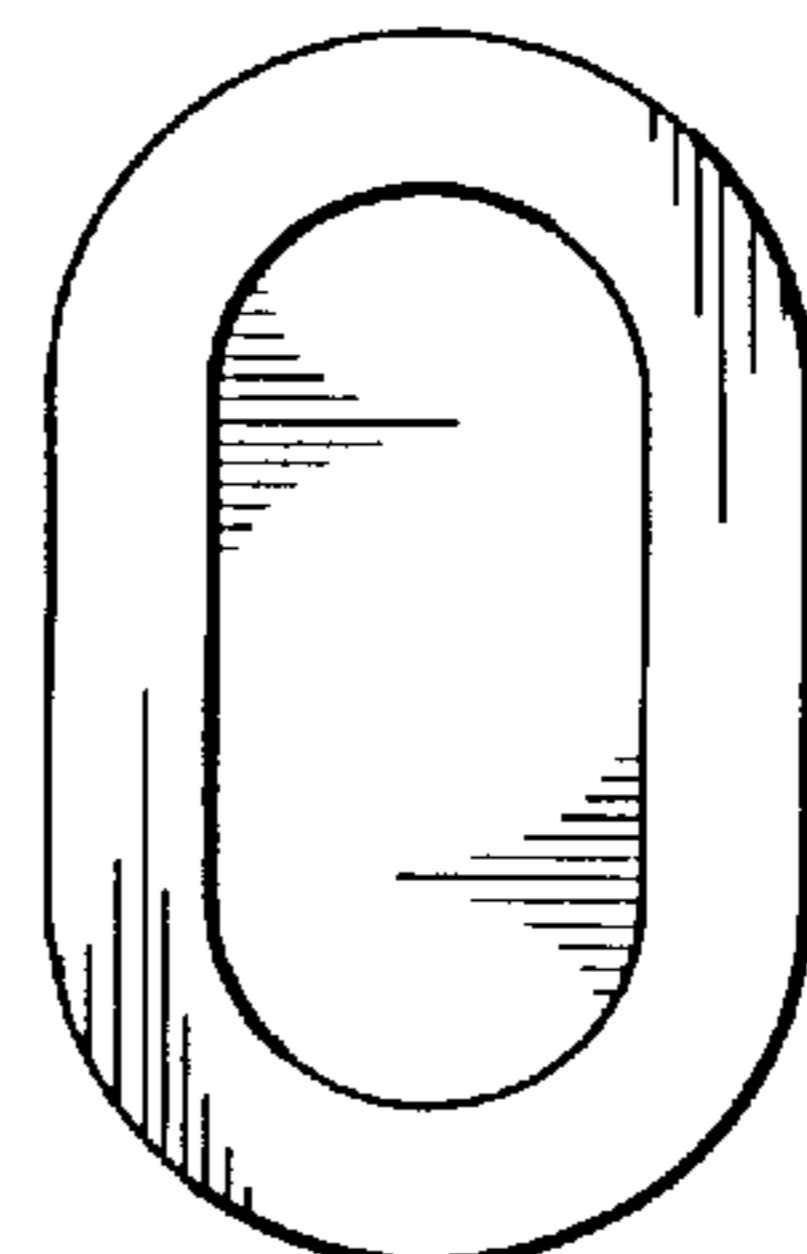


Fig. 7