



US00D414607S

# United States Patent [19]

Trojanowski et al.

[11] Patent Number: **Des. 414,607**

[45] Date of Patent: **\*\* Oct. 5, 1999**

[54] **BRUSHHEAD FOR A TOOTHBRUSH**

D. 386,004	11/1997	Trojanowski et al. ....	D4/104
3,072,944	1/1963	Clayton et al. ....	15/167.1
3,295,156	1/1967	Brant .....	15/167.1

[75] Inventors: **Alan G. Trojanowski**, Monmouth Junction; **Ruby E. Kirkup**, Lawrenceville; **Richard M. Prospero**, Princeton, all of N.J.

*Primary Examiner*—Alan P. Douglas  
*Assistant Examiner*—Lavone D. Tabor  
*Attorney, Agent, or Firm*—Lawrence D. Schuler

[73] Assignee: **McNeil-PPC, Inc.**, Skillman, N.J.

[57] **CLAIM**

[\*\*] Term: **14 Years**

The ornamental design for a brushhead for a toothbrush, as shown and described.

[21] Appl. No.: **29/080,989**

**DESCRIPTION**

[22] Filed: **Dec. 22, 1997**

[51] **LOC (6) Cl.** ..... **04-02**

FIG. 1 is a perspective view showing the brushhead of our new design;

[52] **U.S. Cl.** ..... **D4/104**

FIG. 2 is a top plan view thereof;

[58] **Field of Search** ..... D4/104-112, 132, D4/134, 130; 15/110, 159.1, 160, 167.1, 167.2, 186, 187, 207.2, DIG. 5, DIG. 6; 601/139, 141

FIG. 3 is a side elevational view thereof, the opposite side being a mirror image;

FIG. 4 is a bottom plan view thereof;

FIG. 5 is a front elevational view thereof; and,

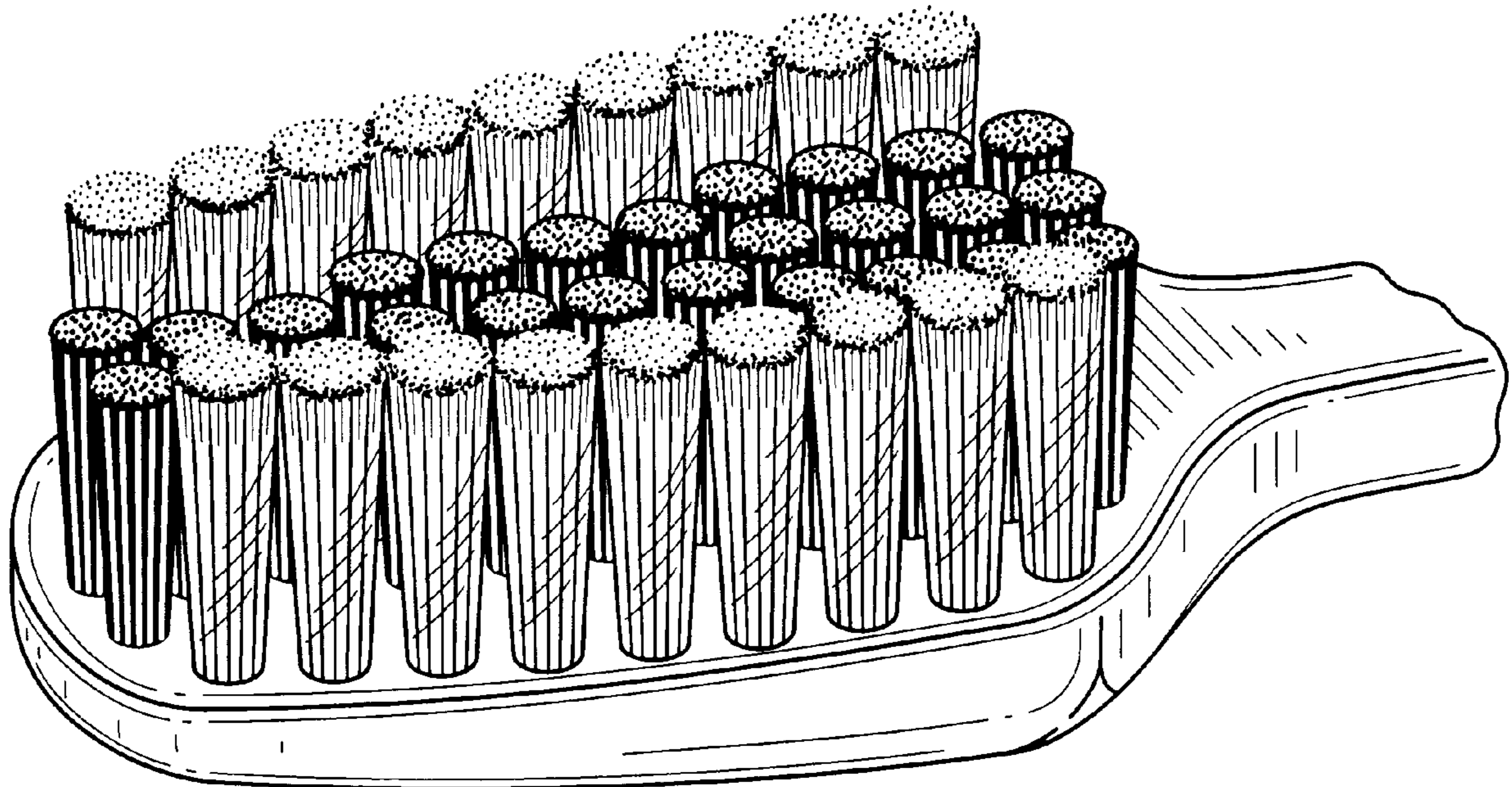
FIG. 6 is a rear elevational view thereof.

[56] **References Cited**

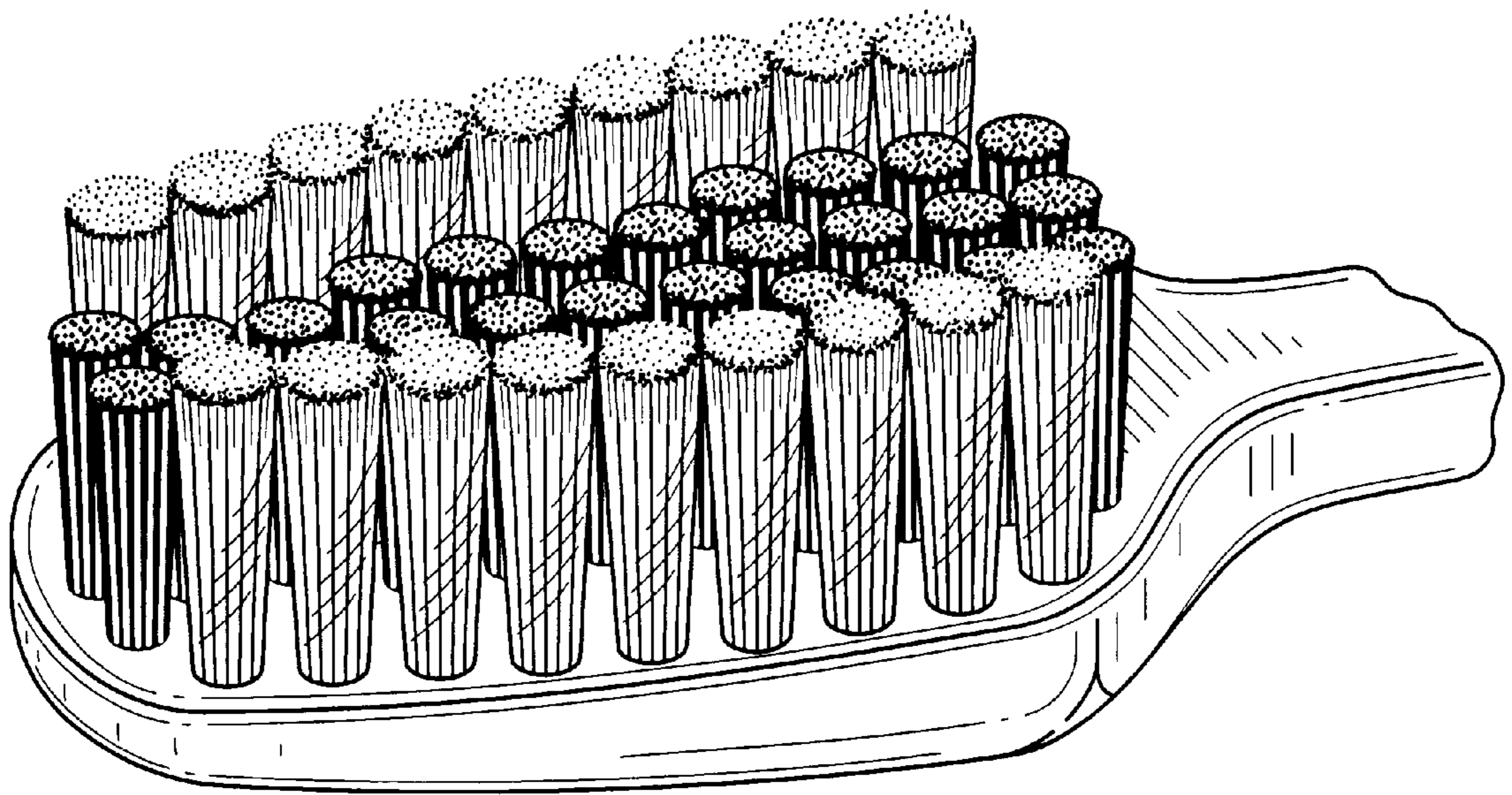
**U.S. PATENT DOCUMENTS**

D. 331,320 12/1992 Kreisher et al. .... D4/104

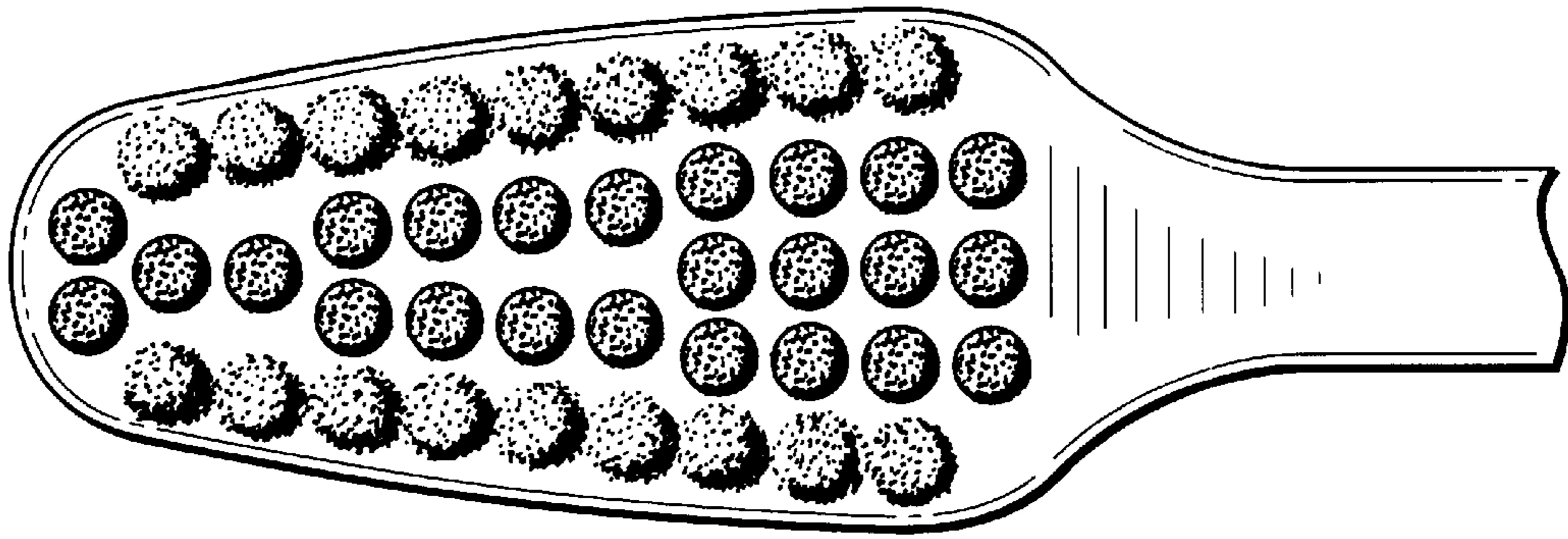
**1 Claim, 3 Drawing Sheets**



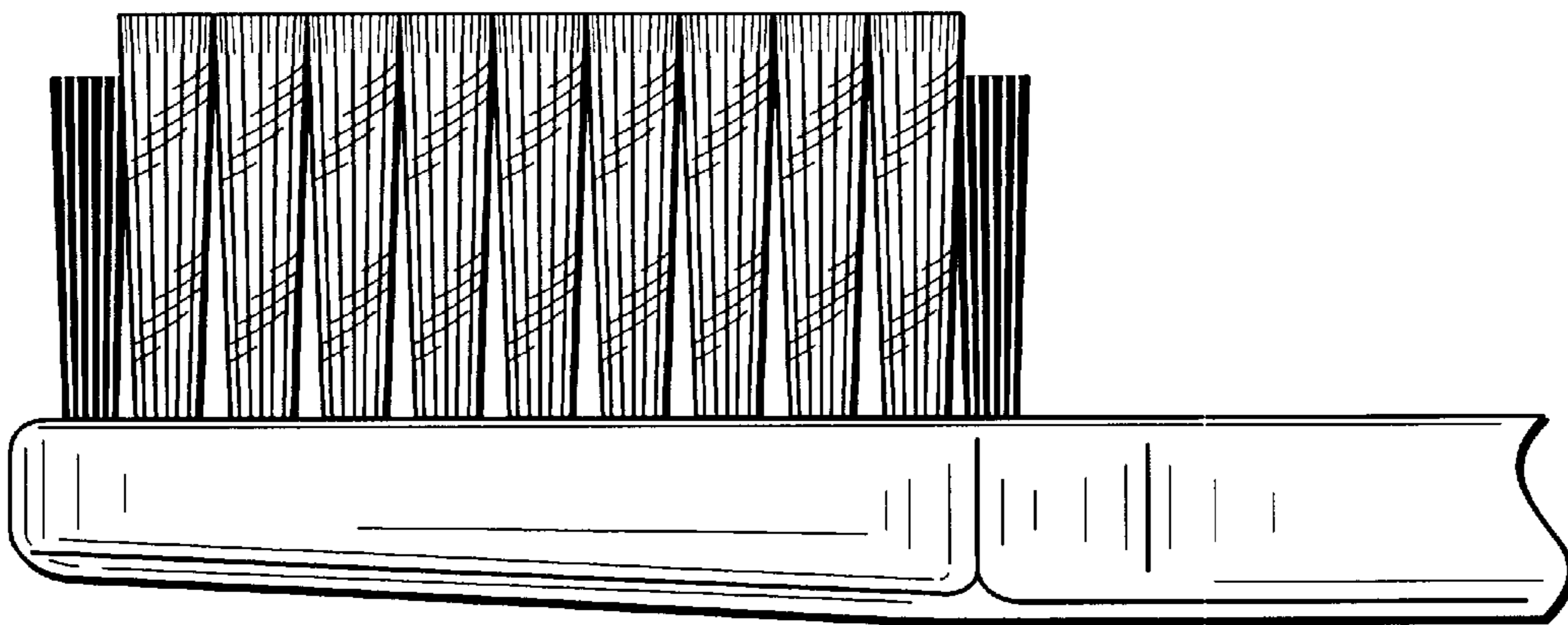
**FIG. 1**



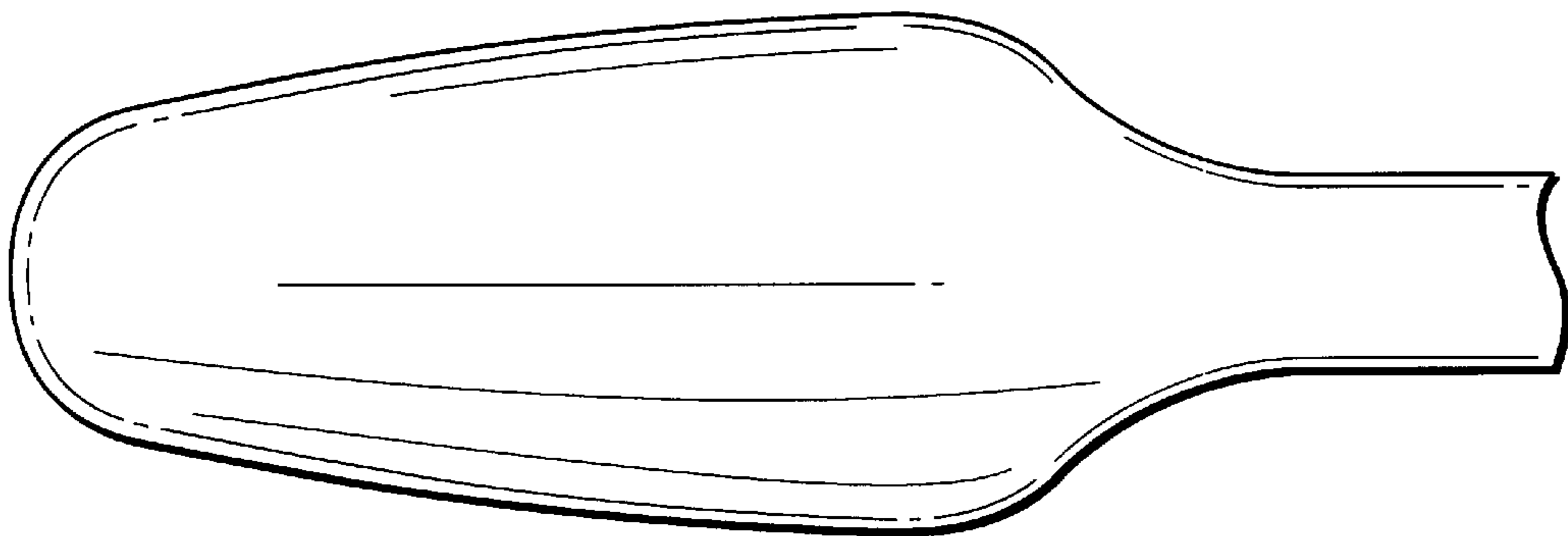
**FIG. 2**



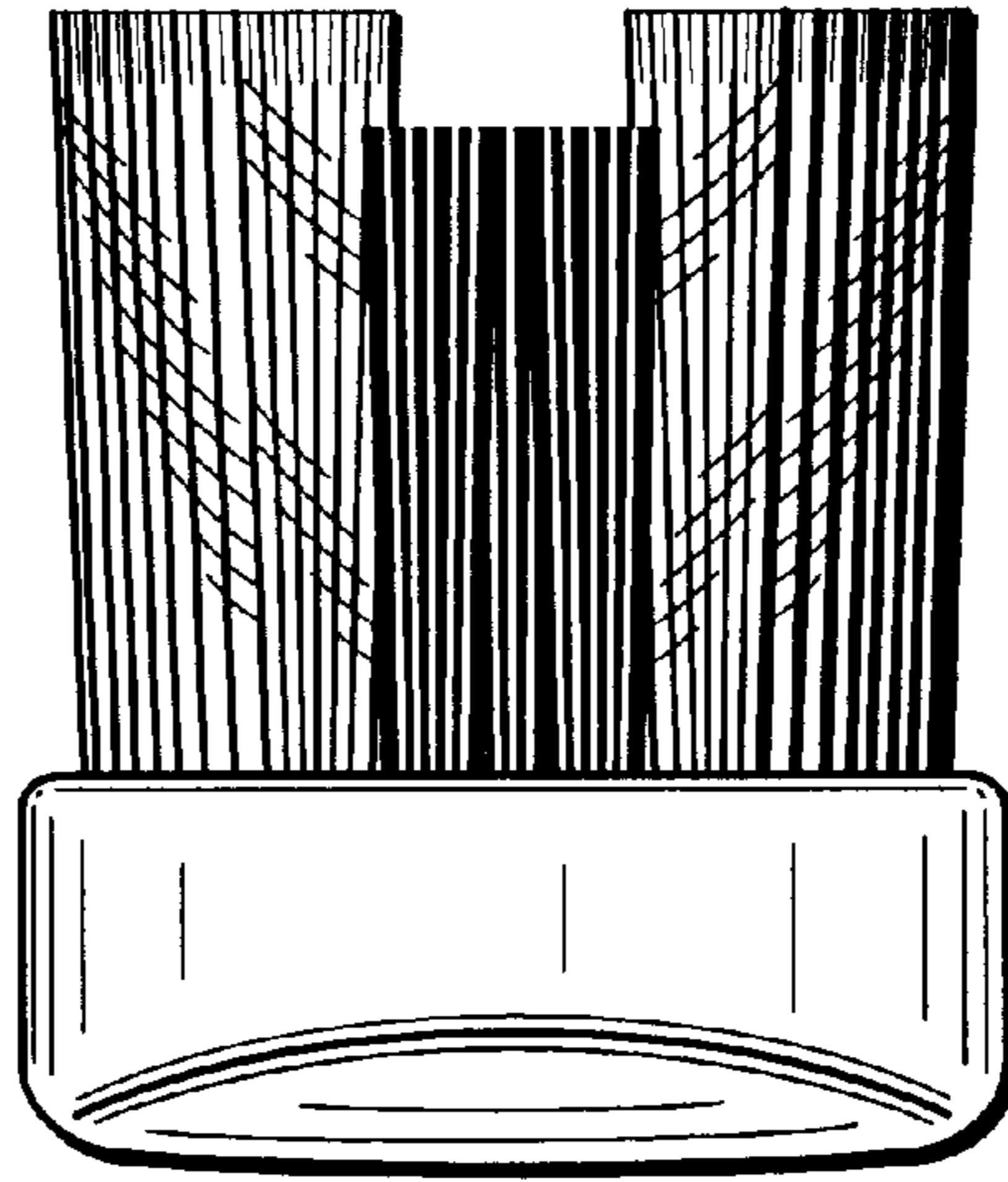
**FIG. 3**



**FIG. 4**



**FIG. 5**



**FIG. 6**

