



US00D414603S

United States Patent [19] Burchett

[11] **Patent Number: Des. 414,603**
[45] **Date of Patent: ** Oct. 5, 1999**

[54] **SUNGLASSES CASE**

[76] Inventor: **Roy Burchett**, P.O. Box 2009, Upland, Calif. 91785

[**] Term: **14 Years**

[21] Appl. No.: **29/081,275**

[22] Filed: **Dec. 29, 1997**

[51] **LOC (6) Cl. 03-01**

[52] **U.S. Cl. D3/265; D3/266; D3/226; D3/219**

[58] **Field of Search D3/201, 263, 264, D3/265, 219, 226, 205; D9/341, 415; D16/134, 136; D28/73, 78; 206/5, 5.1, 6, 316.1; 224/578, 671, 684**

[56] **References Cited**

U.S. PATENT DOCUMENTS

D. 26,394	12/1896	Spencer	D3/265
D. 110,442	7/1938	Pratt	D3/265
D. 259,973	7/1981	Walasek	D3/219
D. 316,932	5/1991	Escher, Jr.	D3/265
D. 318,757	8/1991	Beanum	D3/264
D. 348,980	7/1994	Mathews	D3/265
D. 351,945	11/1994	Kopel	D3/265
D. 371,905	7/1996	Kopel	D3/226
D. 382,708	8/1997	Canning	D3/265

D. 404,568	1/1999	Newcomer	D3/265
D. 408,628	4/1999	Fusco	D3/226
4,899,873	2/1990	Bolle et al.	206/5
5,450,991	9/1995	Neading	224/578
5,577,653	11/1996	Bieker	224/684
5,586,706	12/1996	Ritzenhein	224/671
5,772,014	6/1998	Jacober	206/5.1

Primary Examiner—Celia Murphy
Attorney, Agent, or Firm—Denton Anderson; Sheldon & Mak

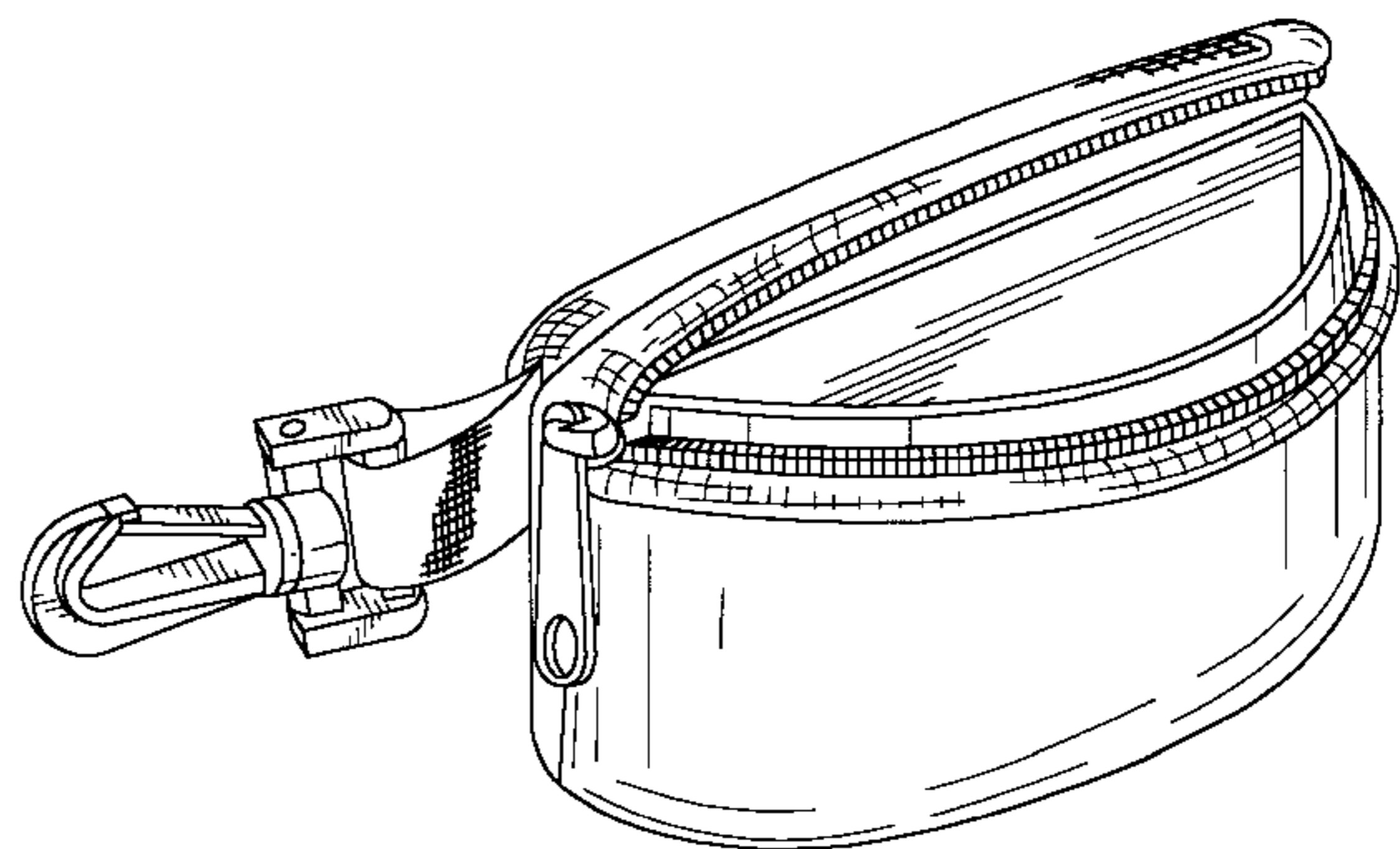
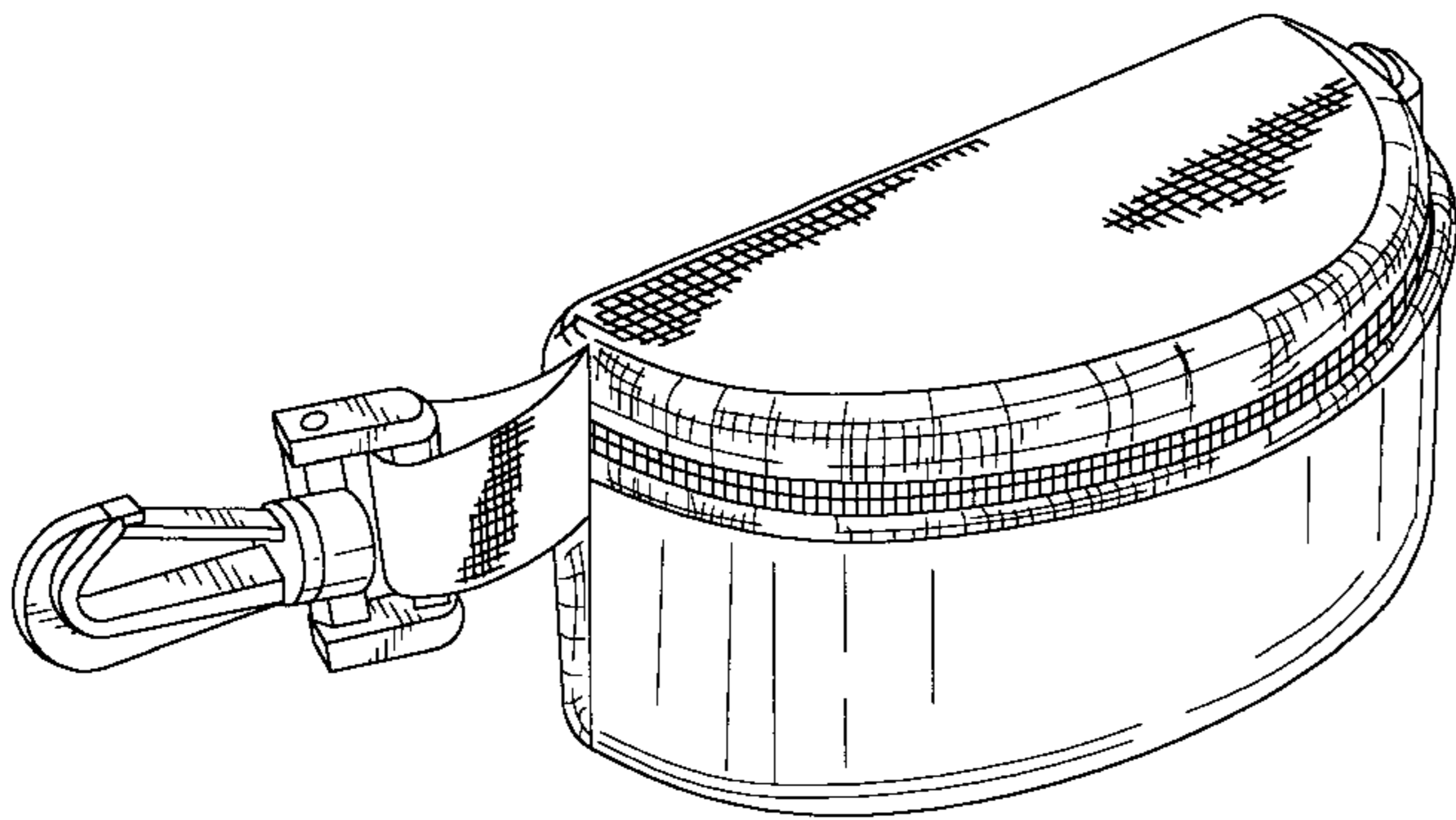
[57] **CLAIM**

The ornamental design for a sunglasses case, as shown and described.

DESCRIPTION

FIG. 1 is a front left perspective view of a sunglasses case showing my new design;
FIG. 2 is a front right perspective view thereof;
FIG. 3 is a front perspective view thereof;
FIG. 4 is a top plan view thereof;
FIG. 5 is a rear perspective view thereof;
FIG. 6 is a bottom plan view thereof;
FIG. 7 is a front left perspective view thereof, shown in a partially open position; and,
FIG. 8 is an enlarged fragmentary view of the woven material covering the lower portion of the case.

1 Claim, 3 Drawing Sheets



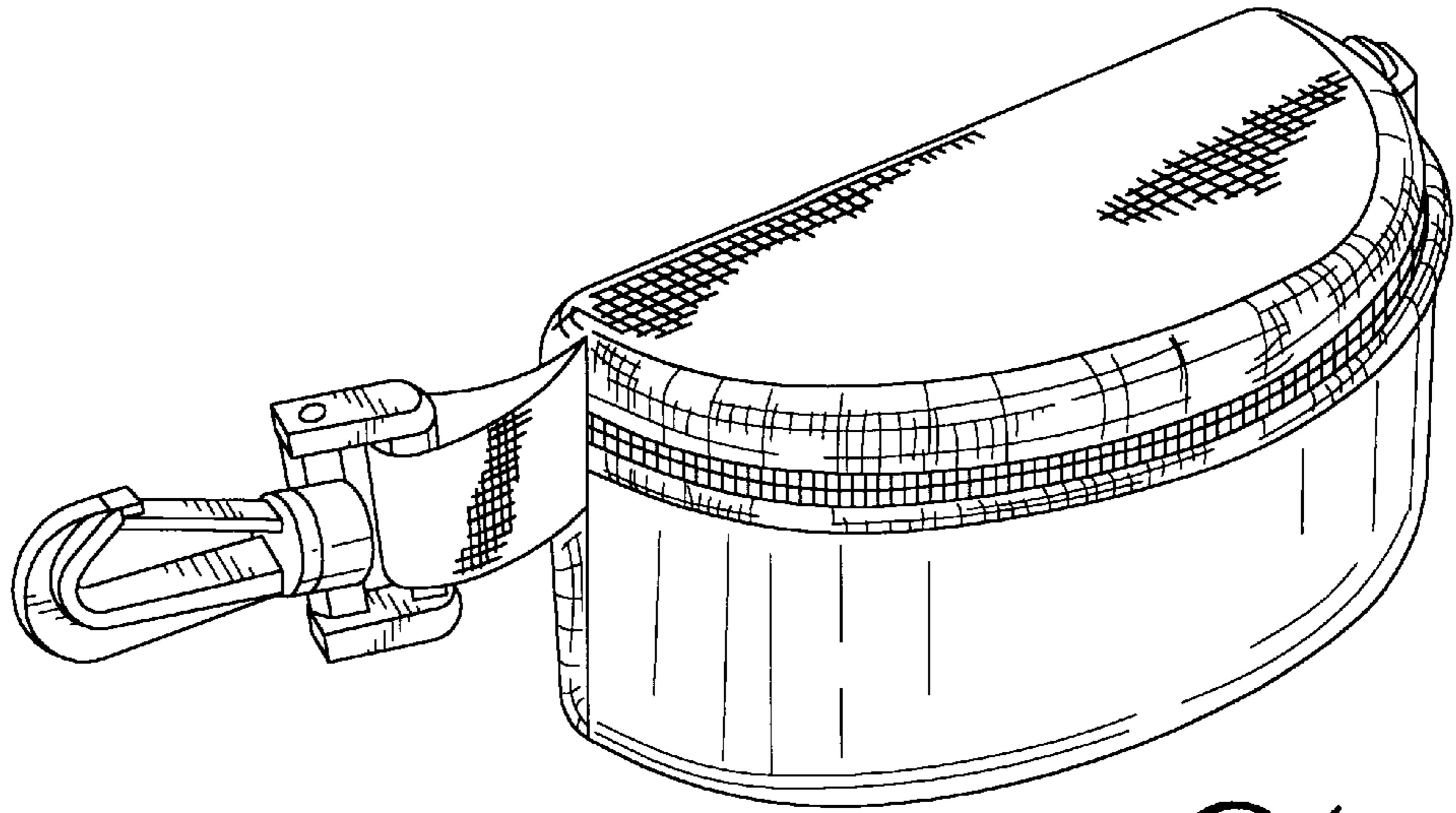


FIG. 1

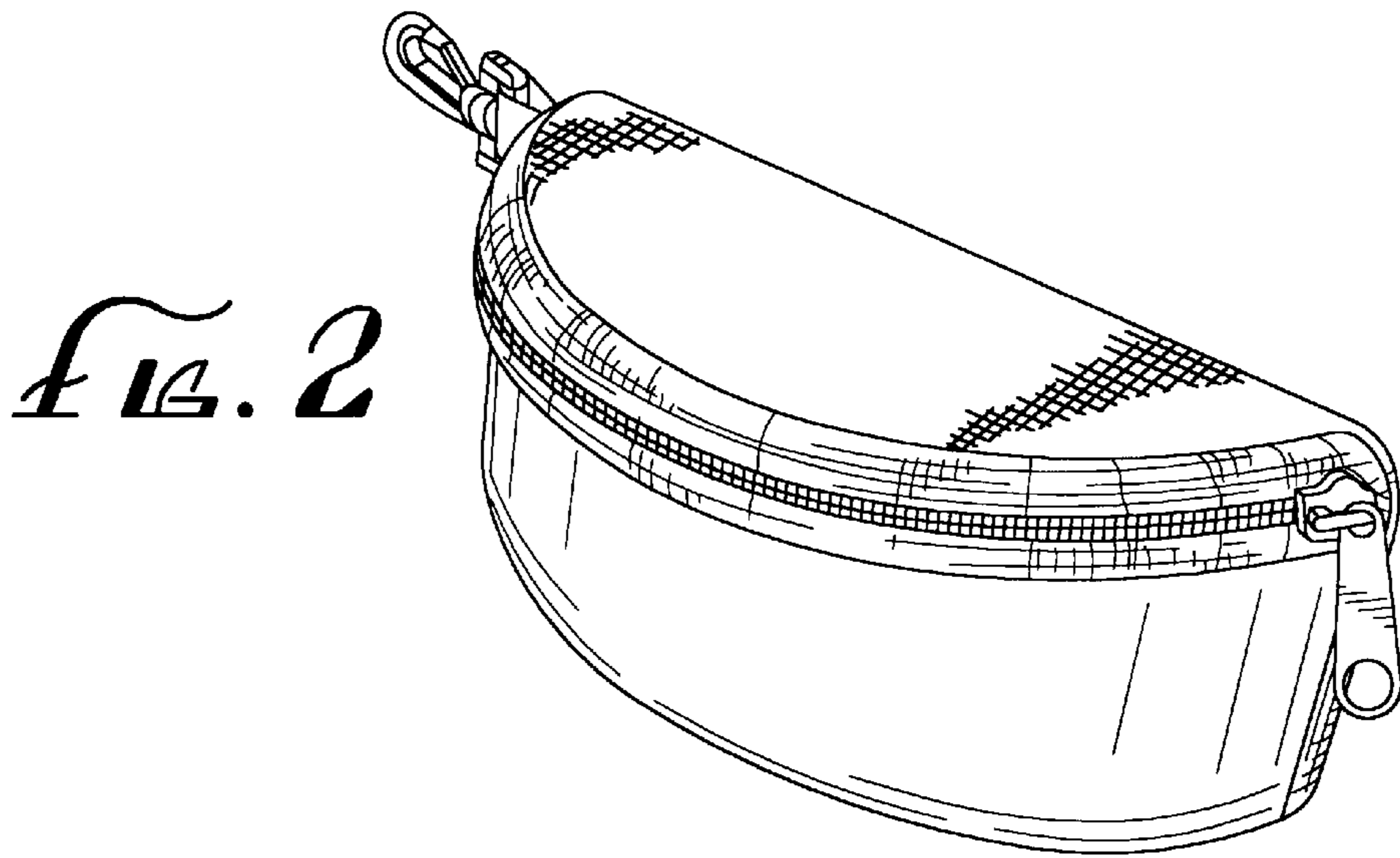


FIG. 2

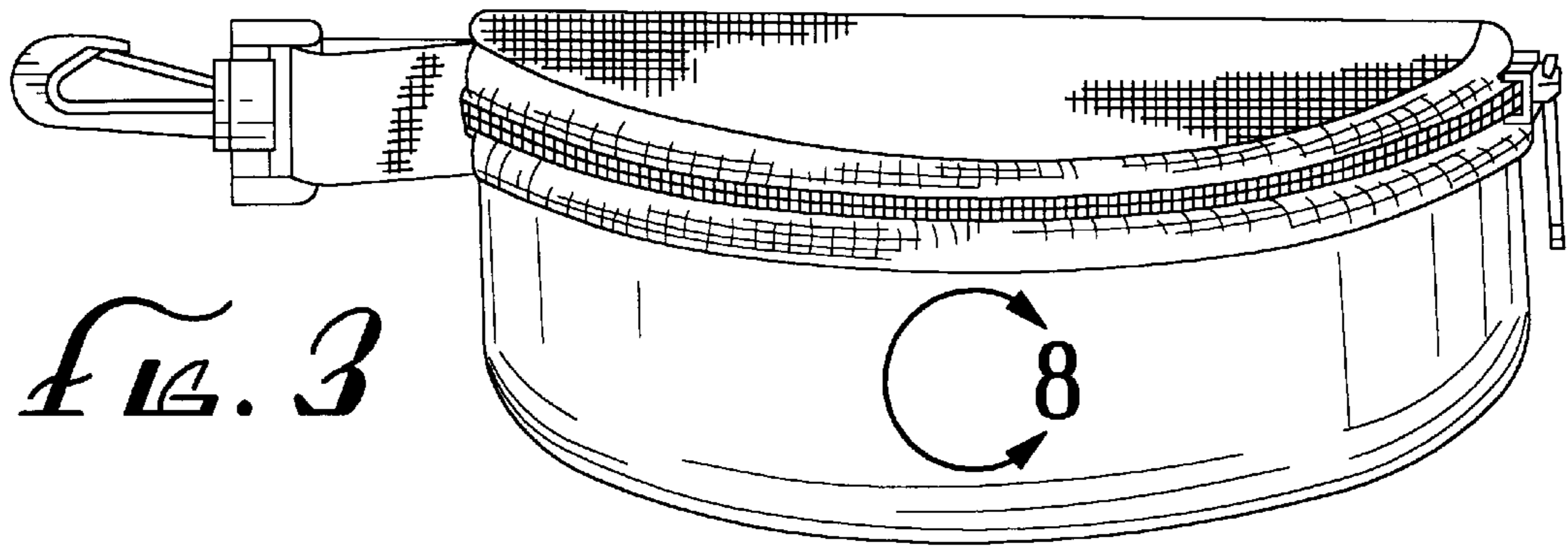


FIG. 3

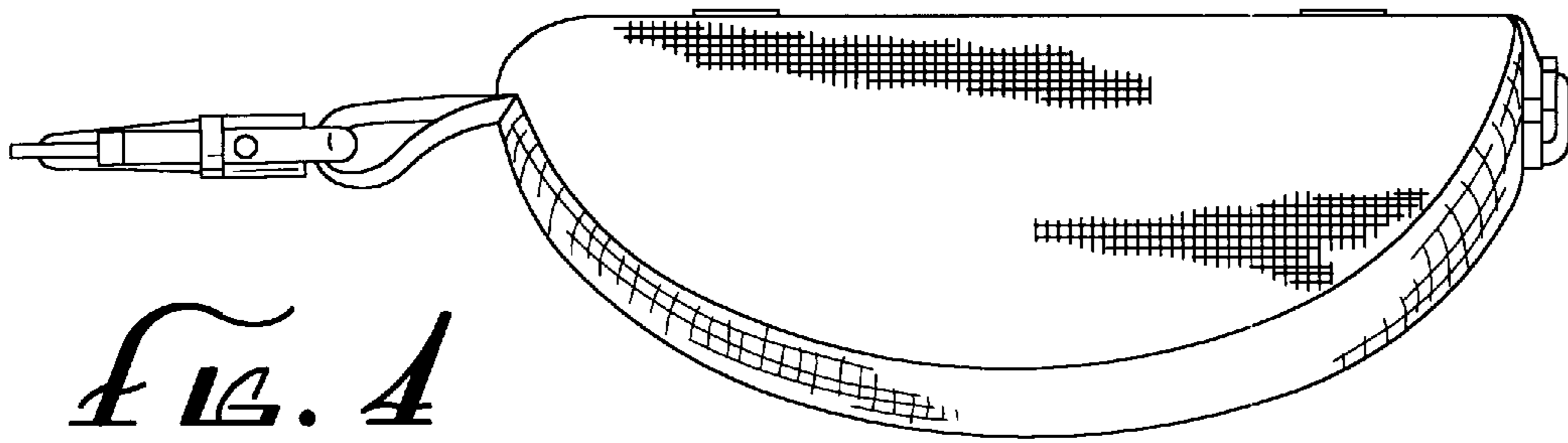


FIG. 4

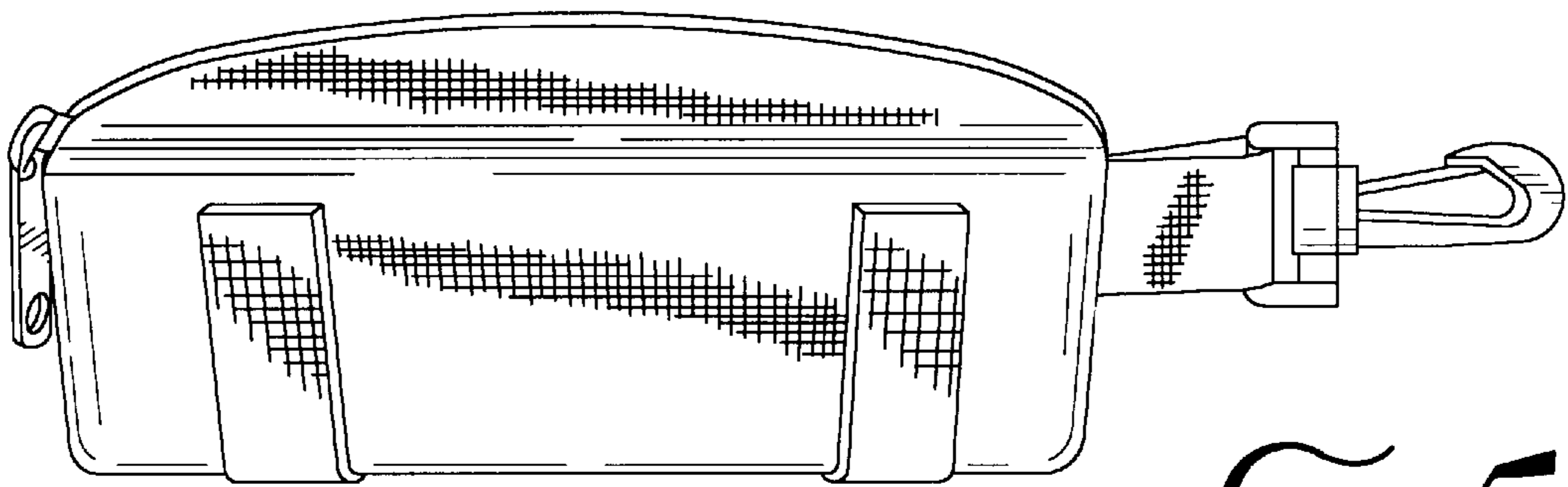


FIG. 5

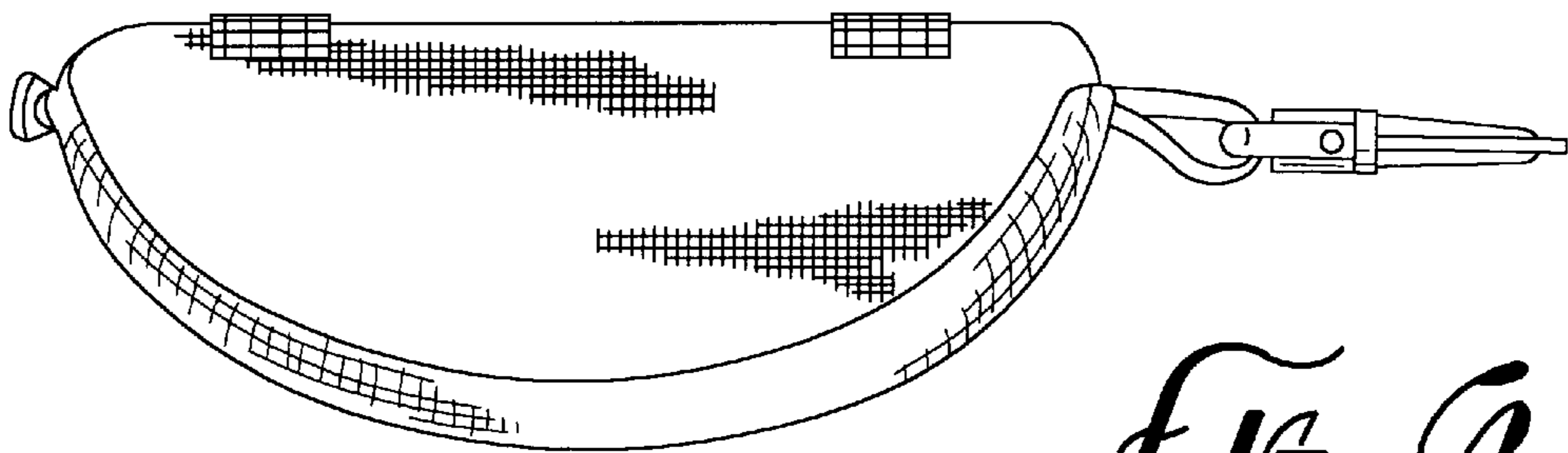


FIG. 6

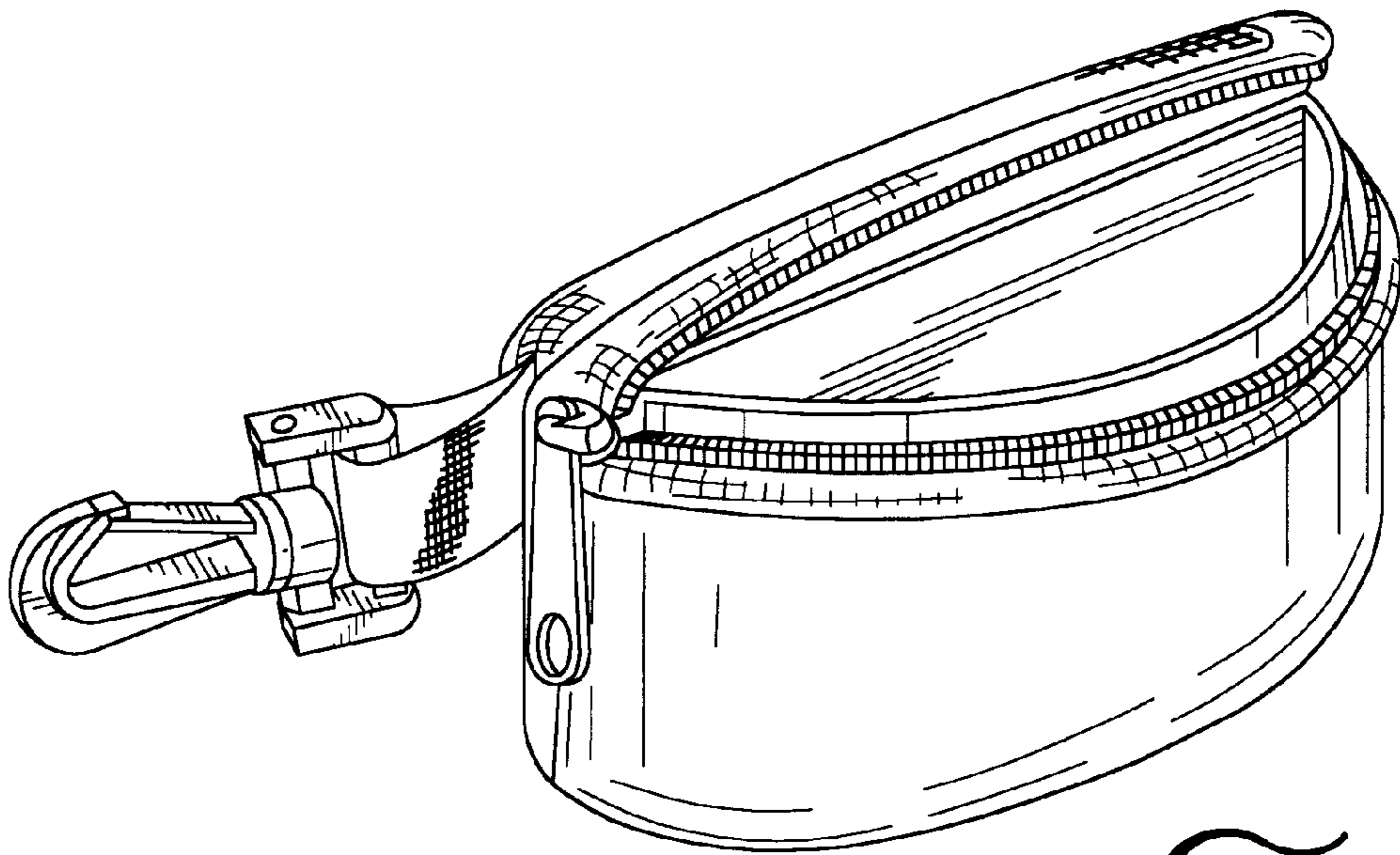


FIG. 7

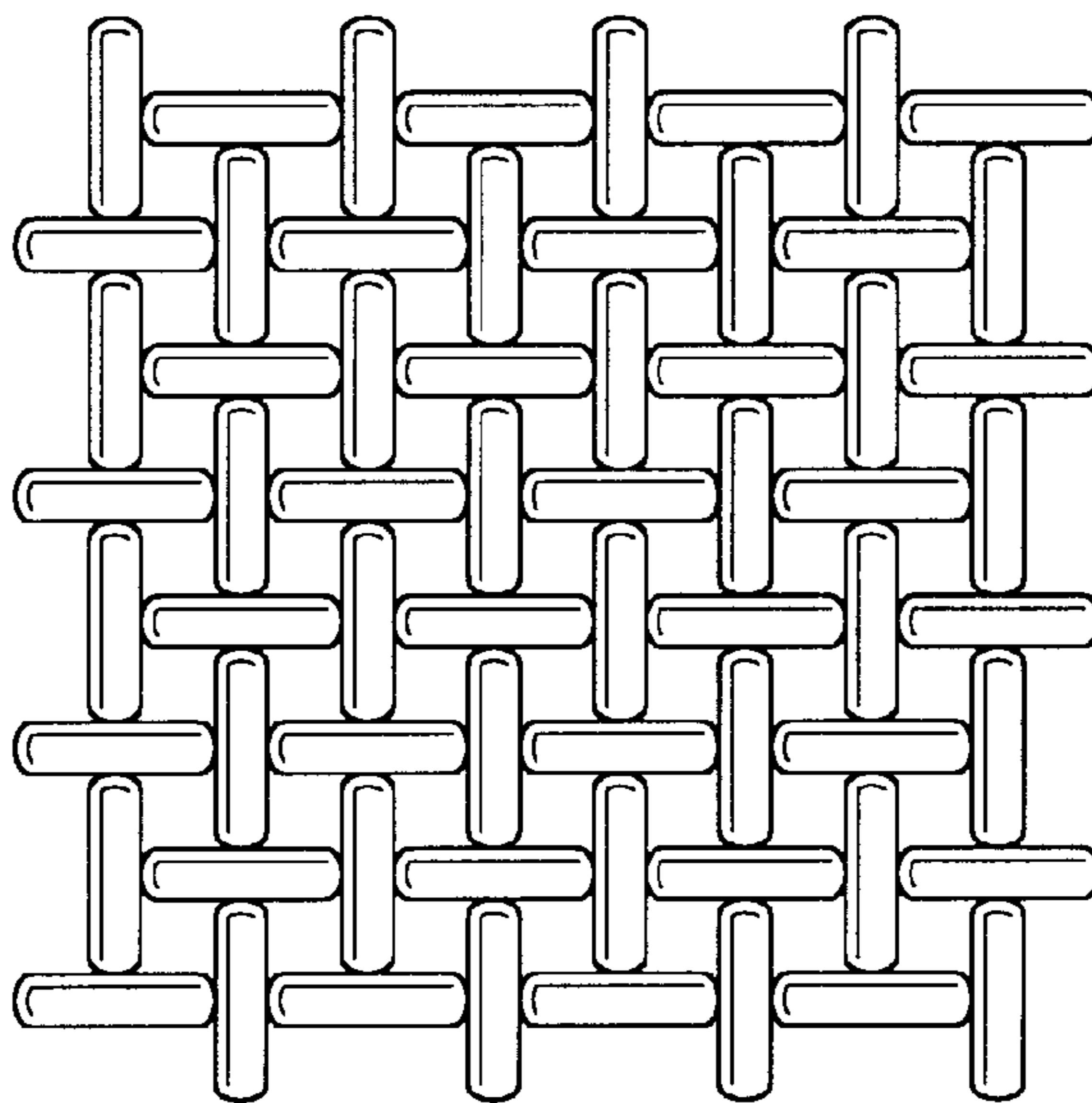


FIG. 8