



US00D414591S

# United States Patent [19] Baker

[11] **Patent Number: Des. 414,591**

[45] **Date of Patent: \*\* Oct. 5, 1999**

[54] **NOVELTY HAT**

D. 393,535	4/1998	Farber	.....	D2/869
D. 397,540	9/1998	Chase	.....	D2/869
D. 399,990	10/1998	Parson et al.	.....	D2/869

[75] Inventor: **Rachel M. Baker**, Tucson, Ariz.

[73] Assignee: **Loaded Hog Headwhare, Inc.**, Tucson, Ariz.

*Primary Examiner*—Paula A. Mortimer  
*Attorney, Agent, or Firm*—Antonio R. Durando

[\*\*] Term: **14 Years**

### [57] CLAIM

[21] Appl. No.: **29/095,885**

The ornamental design of a novelty hat, as shown and described.

[22] Filed: **Nov. 2, 1998**

### DESCRIPTION

[51] **LOC (6) Cl.** ..... **02-03**

FIG. 1 is a front perspective view of a novelty hat showing my new design;

[52] **U.S. Cl.** ..... **D2/869**

FIG. 2 is a front elevational view thereof;

[58] **Field of Search** ..... D2/865, 866, 868, D2/869, 871, 875; 2/171, 181, 195.1, 209.11

FIG. 3 is a rear elevational view thereof;

FIG. 4 is a side elevational view thereof, the opposite side is a mirror image;

### [56] References Cited

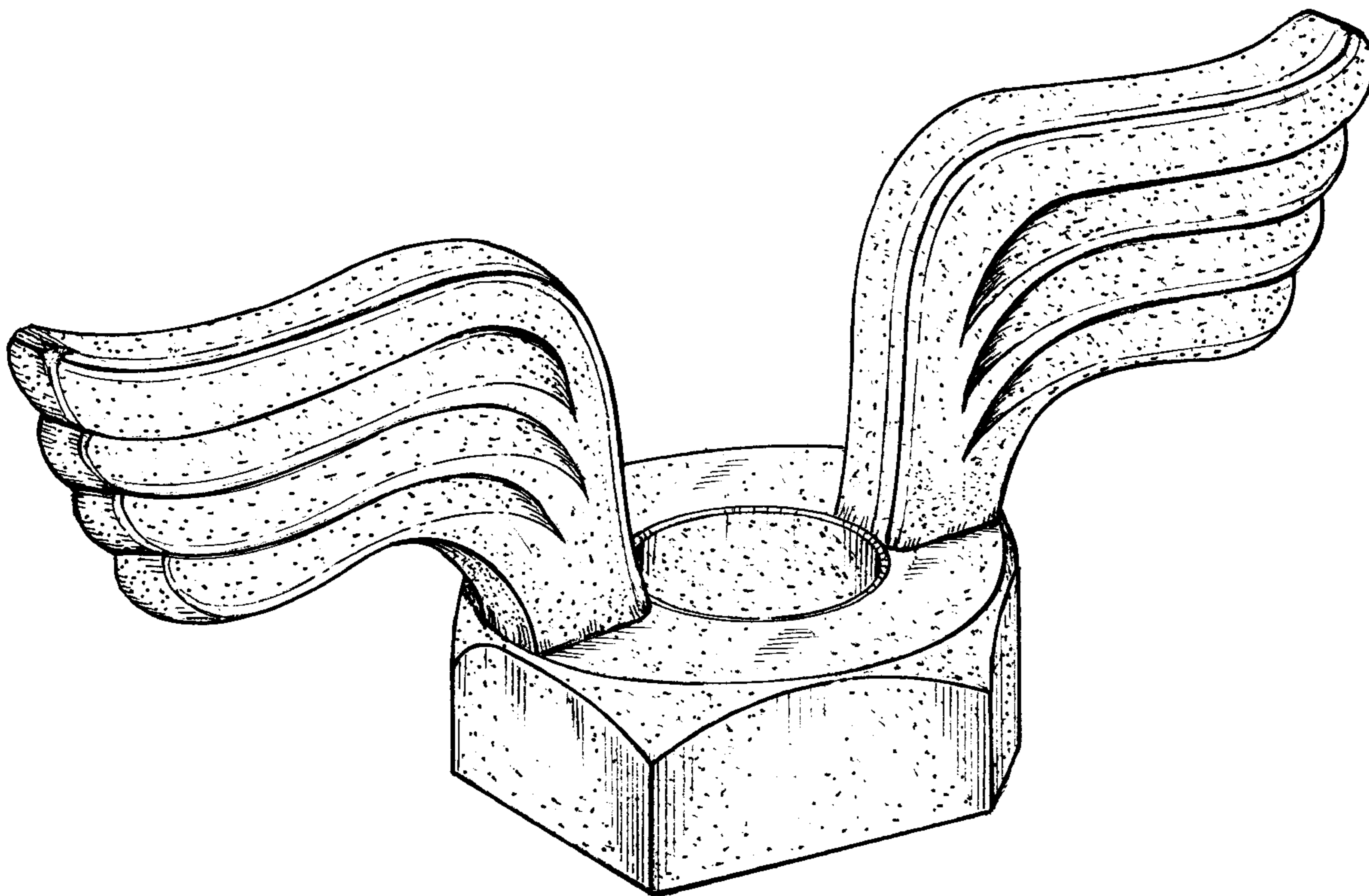
#### U.S. PATENT DOCUMENTS

D. 357,344	4/1995	Norten	.....	D2/869
D. 387,541	12/1997	Kellman et al.	.....	D2/871

FIG. 5 is a top plan view thereof; and,

FIG. 6 is a bottom plan view thereof.

**1 Claim, 6 Drawing Sheets**



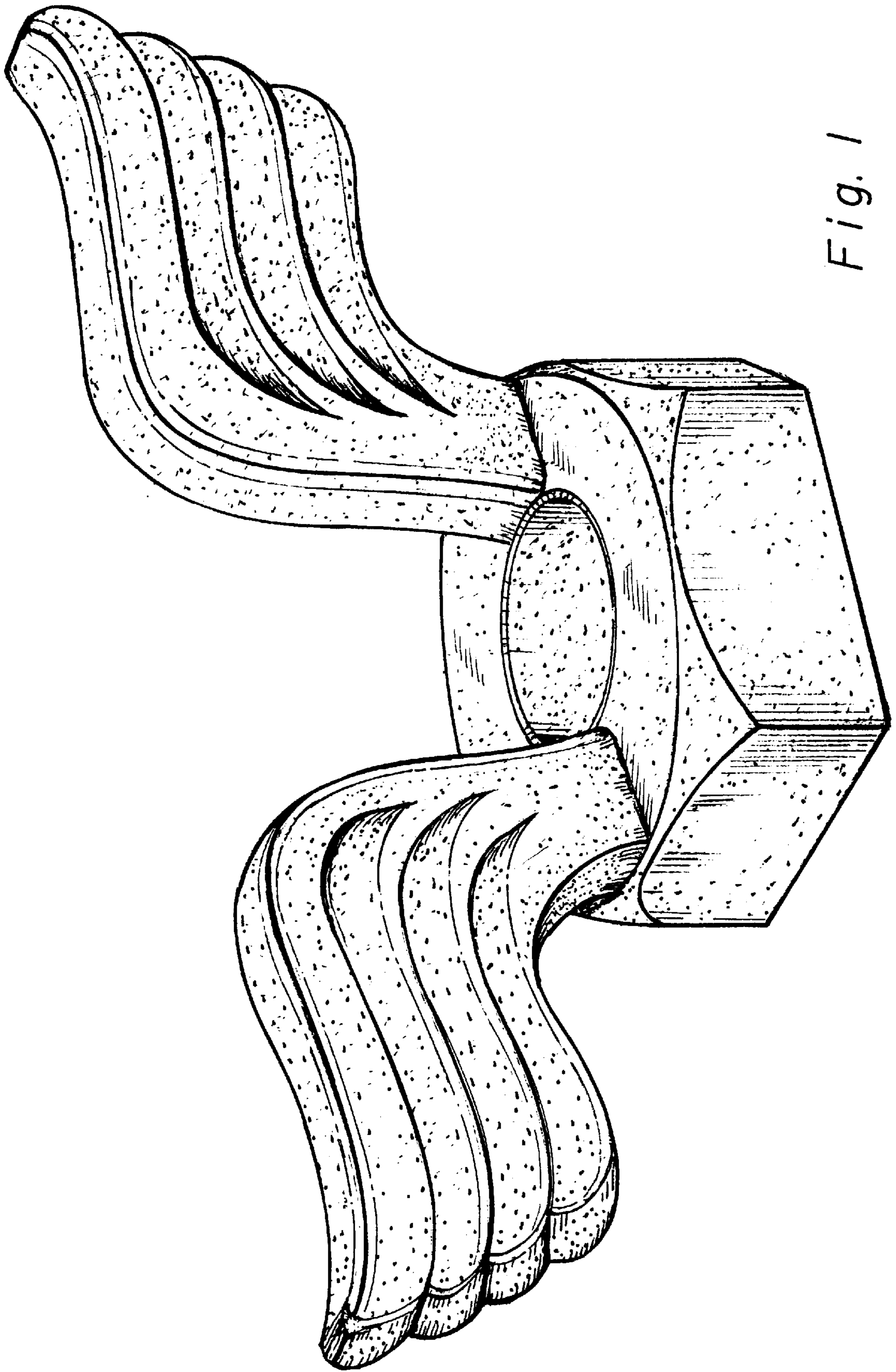


Fig. 1

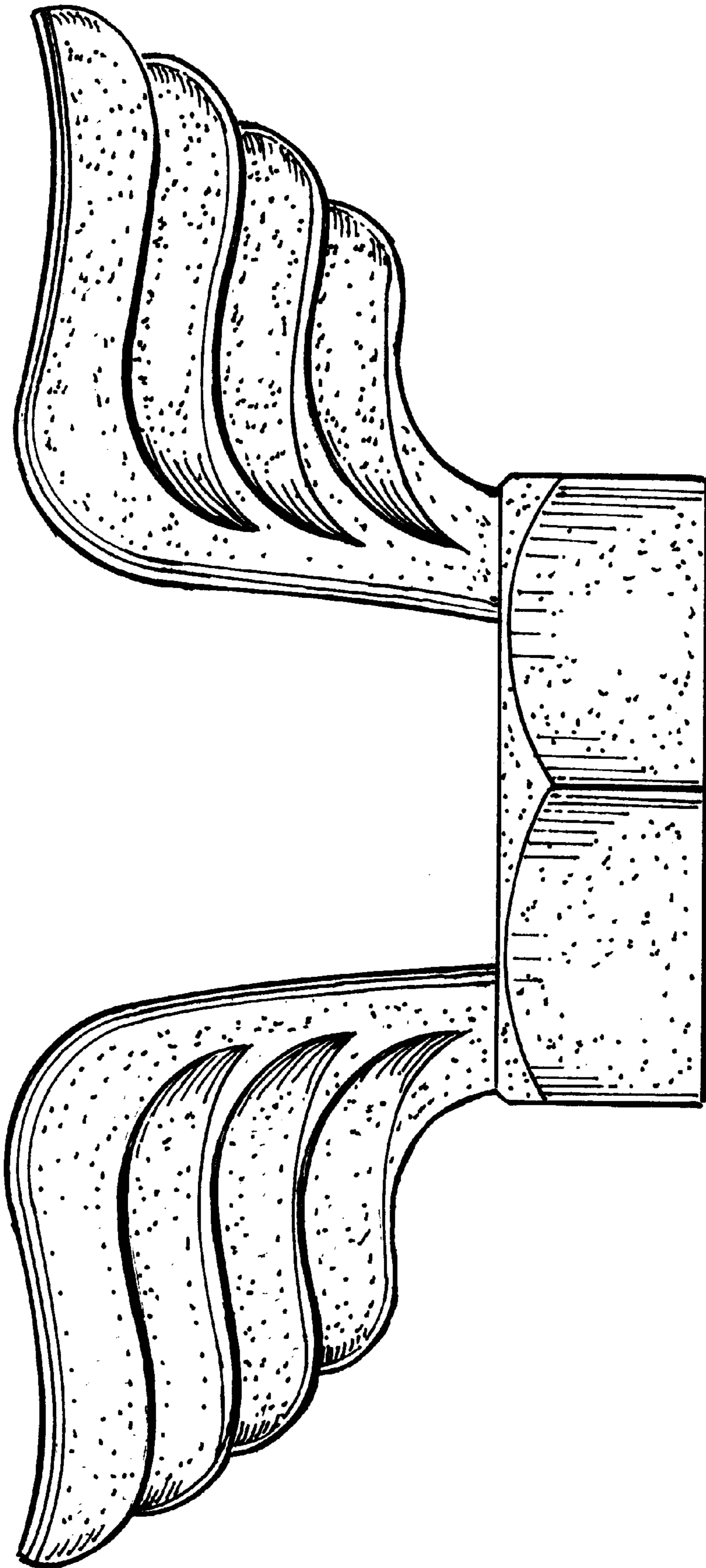


Fig. 2

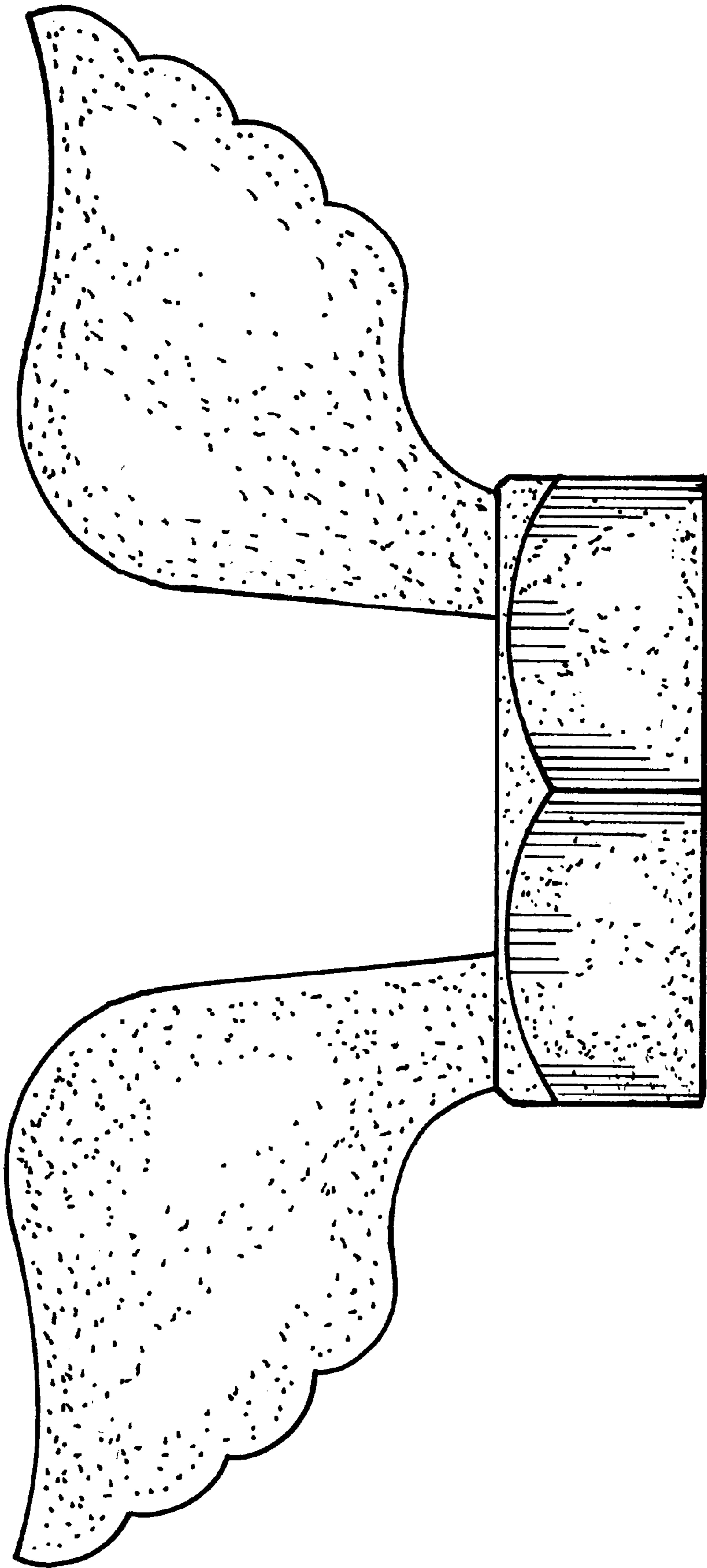
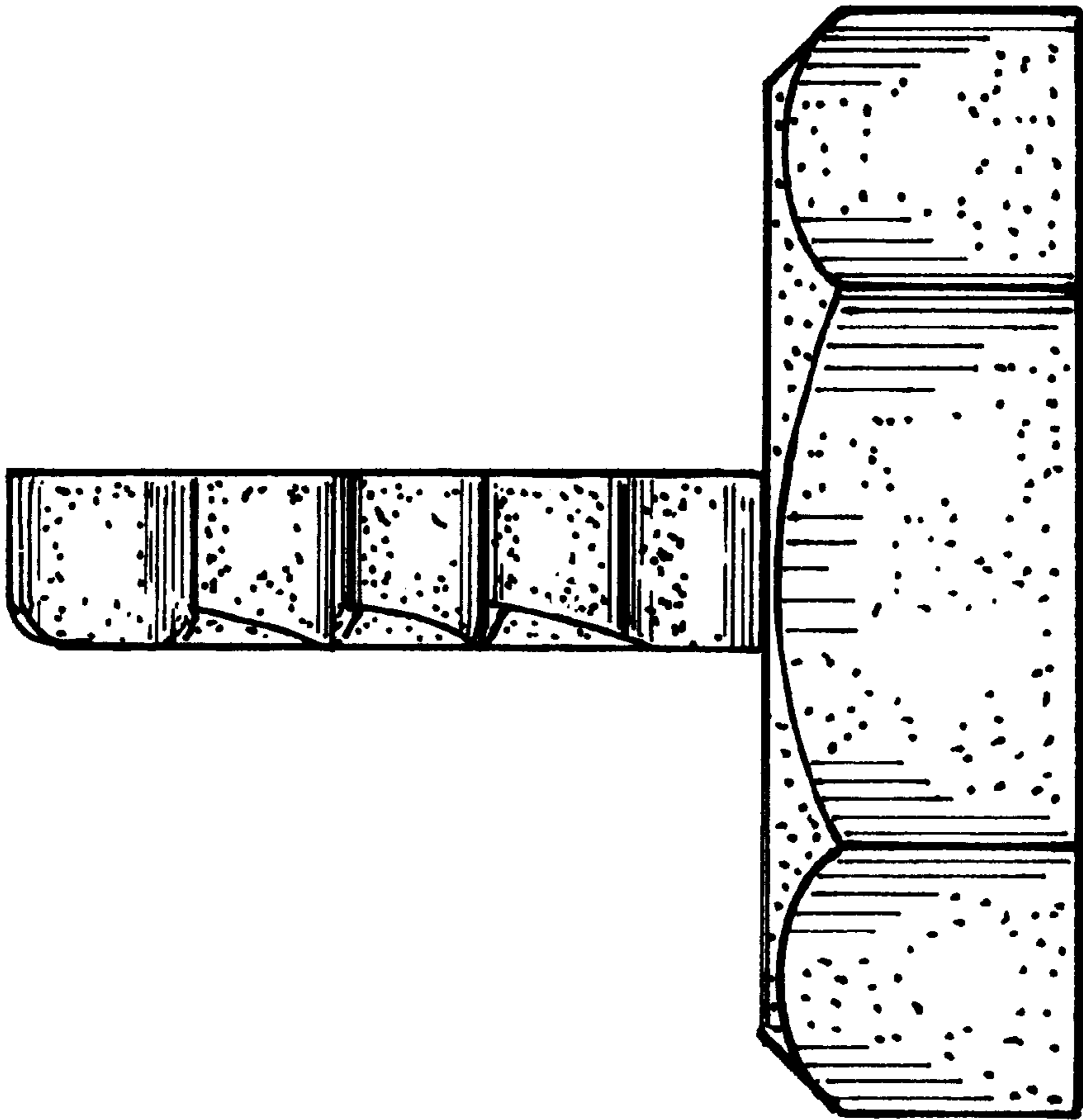


Fig. 3





*Fig. 4*

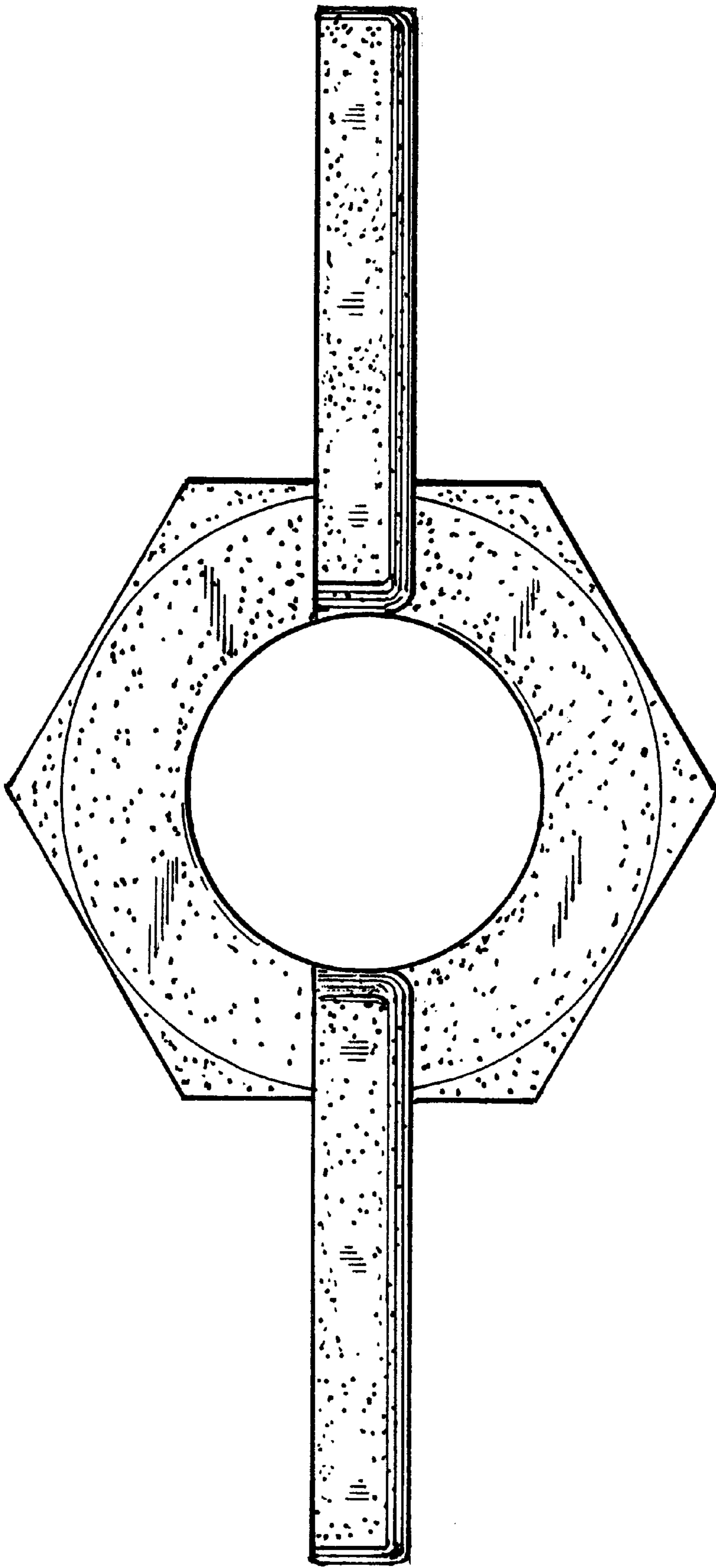


Fig. 5

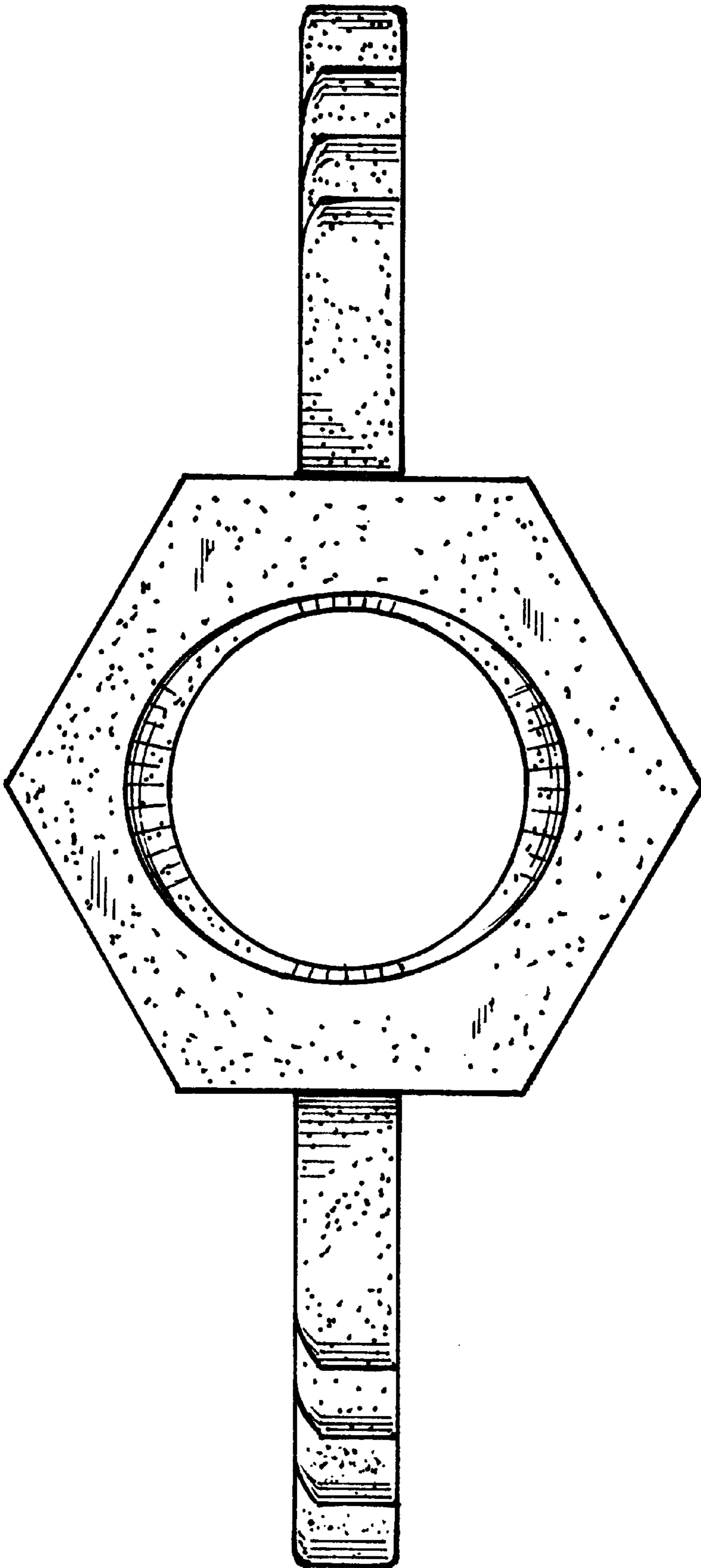


Fig. 6