



US00D414586S

United States Patent [19]
Yuen

[11] **Patent Number: Des. 414,586**

[45] **Date of Patent: ** Sep. 28, 1999**

[54] **TOOL KIT LANTERN**

D. 384,202 9/1997 Gilmore D26/38
D. 389,593 1/1998 Shiao D26/38

[75] Inventor: **John Se-Kit Yuen**, Kowloon, The Hong Kong Special Administrative Region of the People's Republic of China

Primary Examiner—Marcus A. Jackson
Attorney, Agent, or Firm—Fay, Sharpe, Beall, Fagan, Minnich & McKee

[73] Assignee: **John Manufacturing Limited**, Kowloon, The Hong Kong Special Administrative Region of the People's Republic of China

[57] **CLAIM**

The ornamental design for a "tool kit lantern," as shown and described.

[**] Term: **14 Years**

DESCRIPTION

[21] Appl. No.: **29/092,632**

FIG. 1 is a perspective view from front and top of a tool kit lantern showing my new design;
FIG. 2 is a perspective view from rear and top showing part in an alternative position thereof;
FIG. 3 is a perspective view from front and top showing part in a further alternative position thereof;
FIG. 4 is a top plan view thereof;
FIG. 5 is a front elevational view thereof;
FIG. 6 is a bottom plan view thereof;
FIG. 7 is a left side elevational view thereof;
FIG. 8 is a rear elevational view thereof; and,
FIG. 9 is a right side elevational view thereof.

[22] Filed: **Aug. 24, 1998**

[51] **LOC (6) Cl.** **26-02**

[52] **U.S. Cl.** **D32/38; 3/274; 3/905**

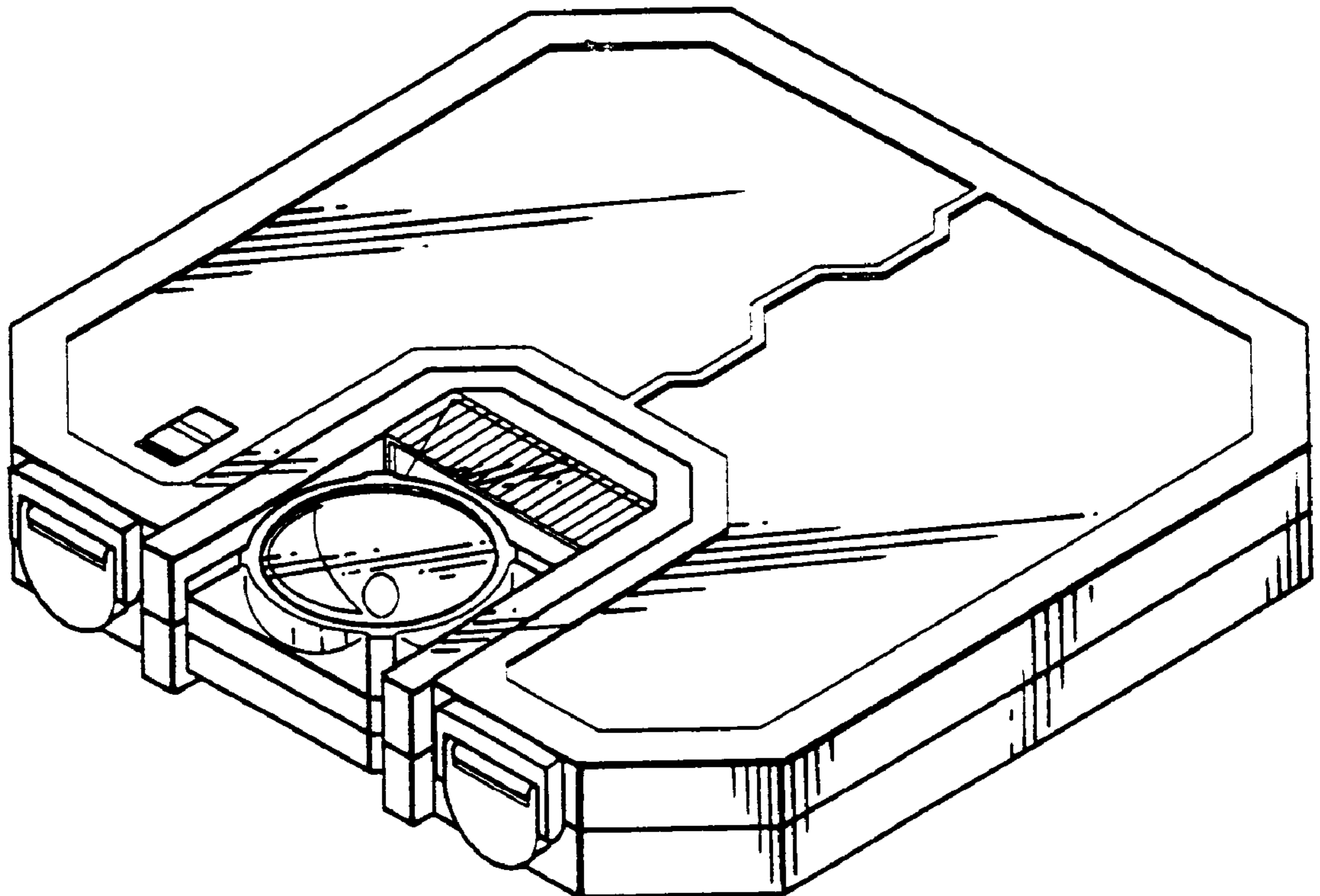
[58] **Field of Search** **D26/37-50; D3/905, D3/274; 362/157, 158, 181, 183-208**

[56] **References Cited**

U.S. PATENT DOCUMENTS

D. 376,908 12/1996 Hsu D26/38
D. 383,483 9/1997 Ho D26/38

1 Claim, 3 Drawing Sheets



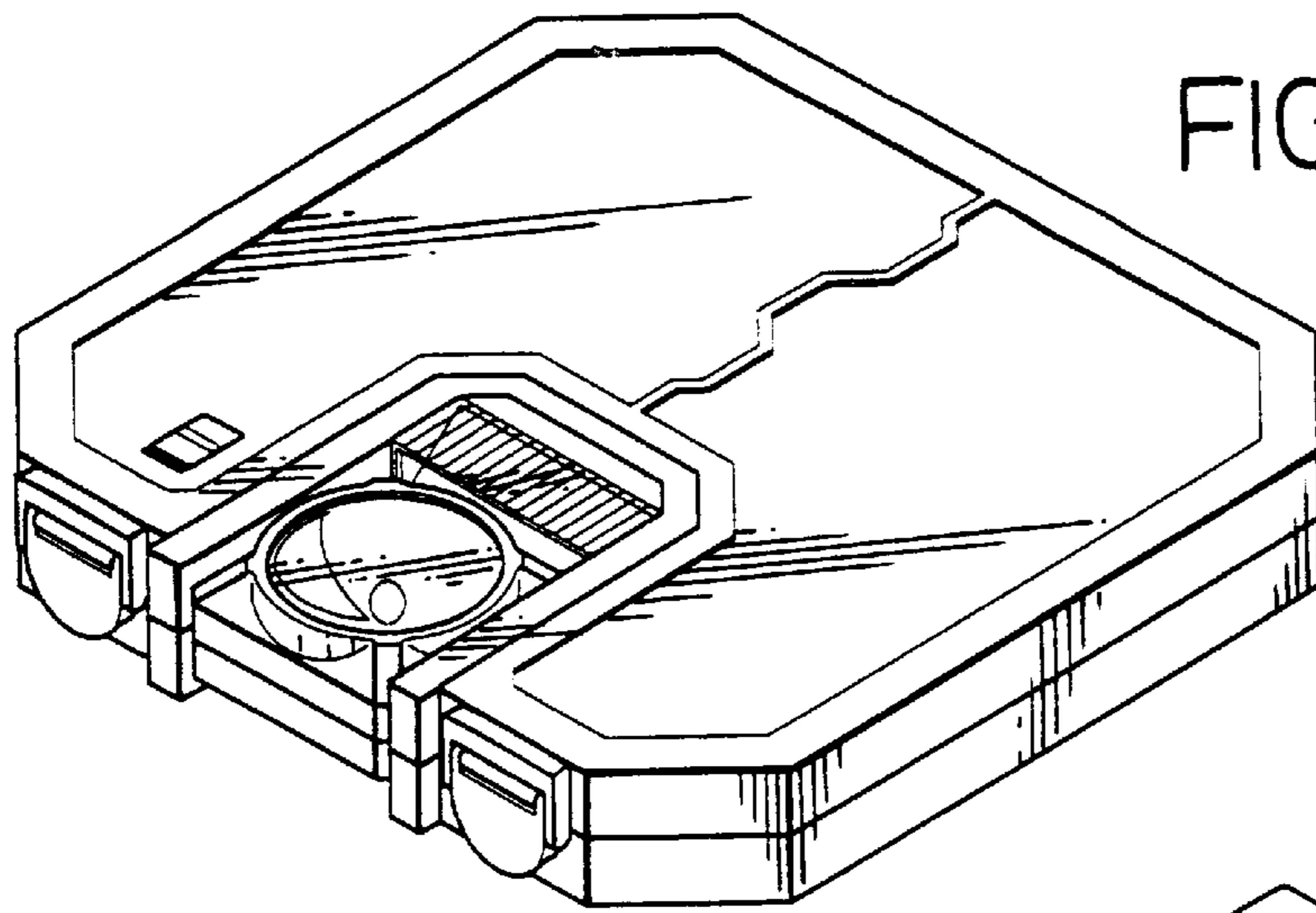


FIG. 1

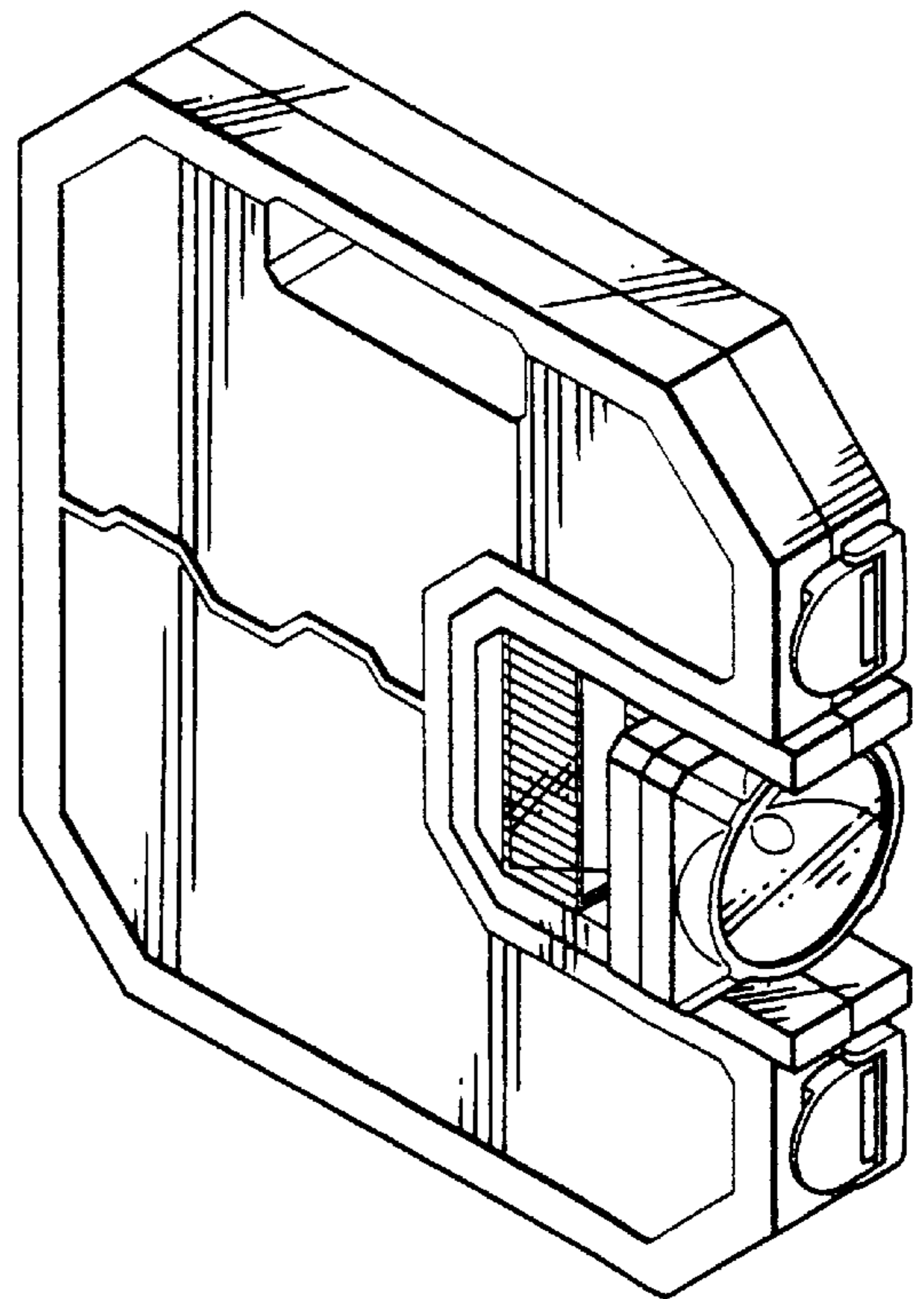


FIG. 2

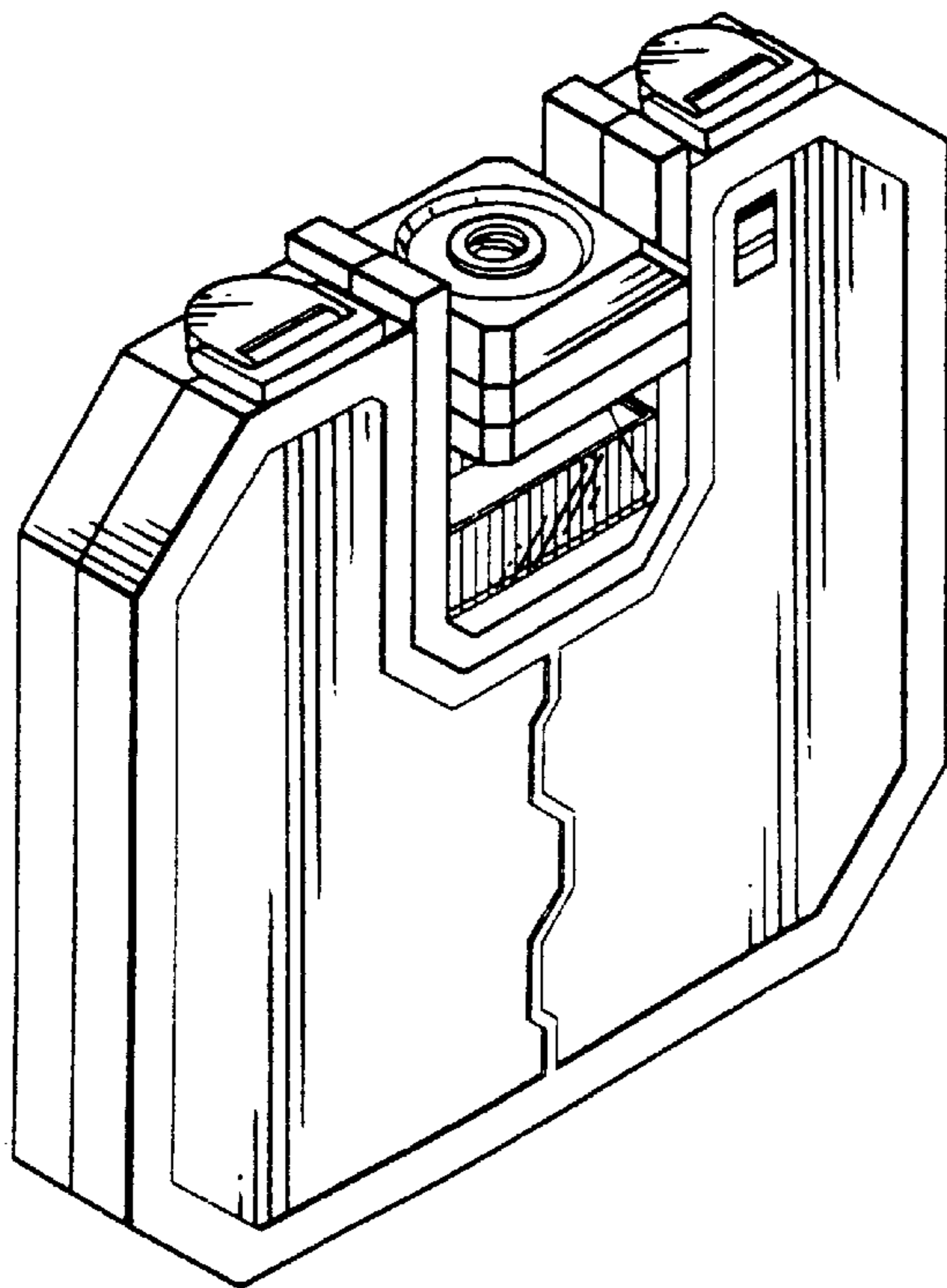


FIG. 3

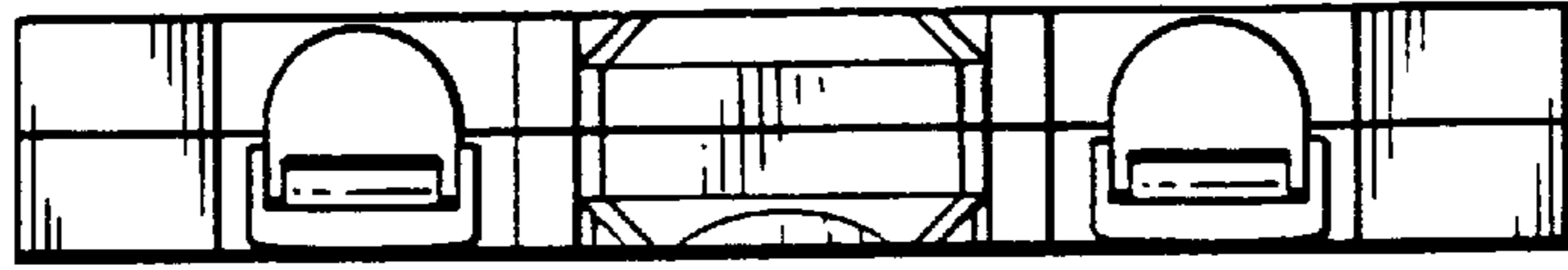


FIG. 4

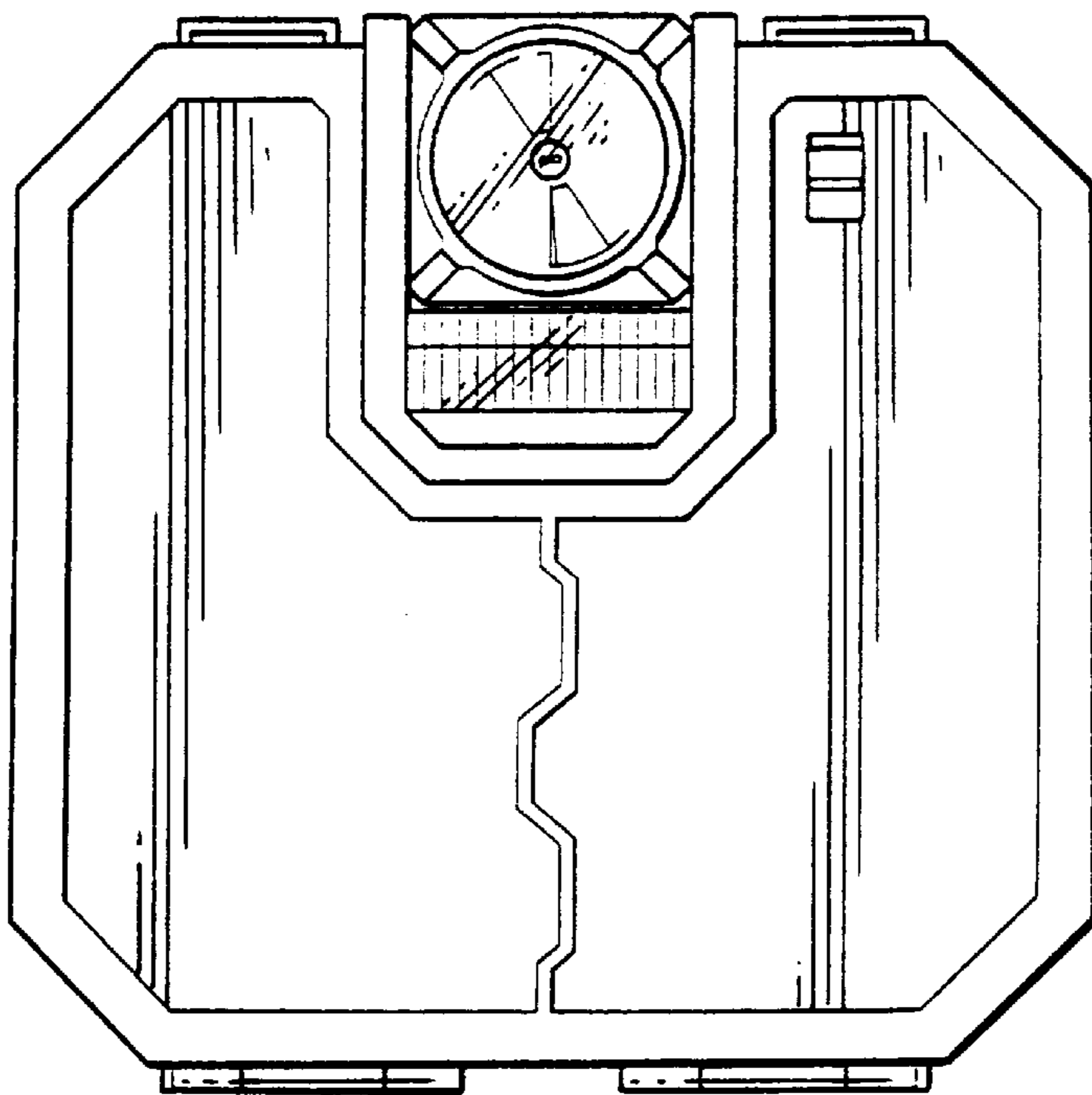


FIG. 5

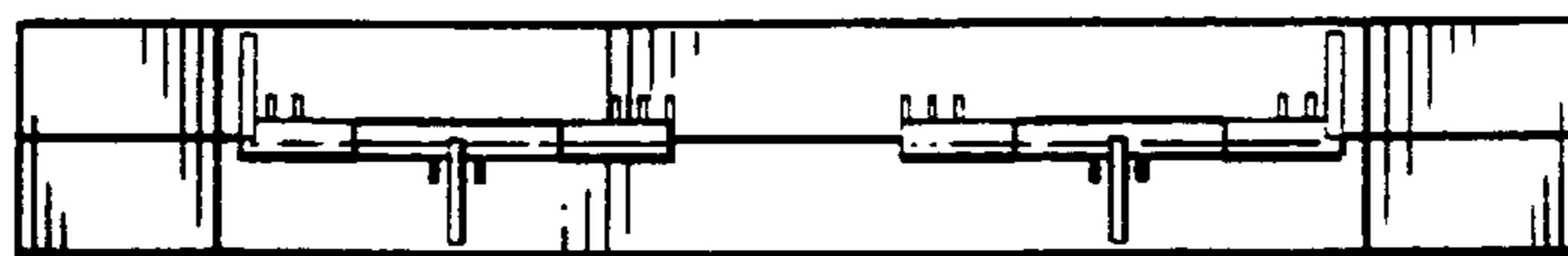


FIG. 6

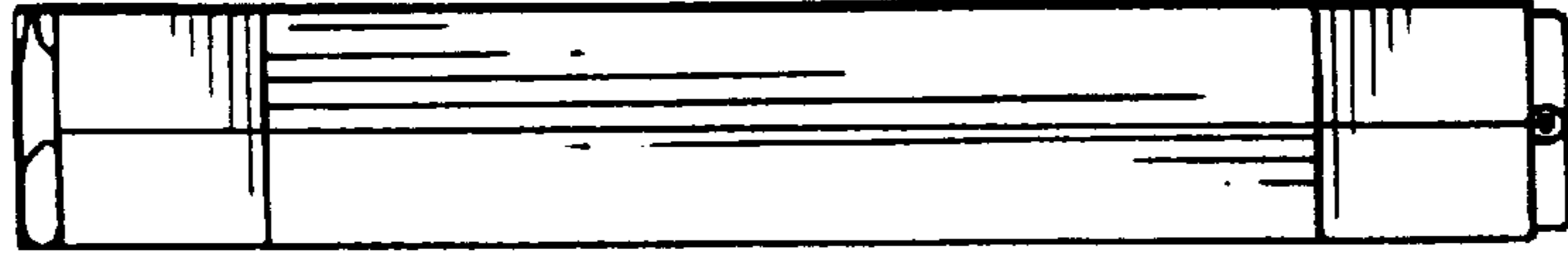


FIG. 9

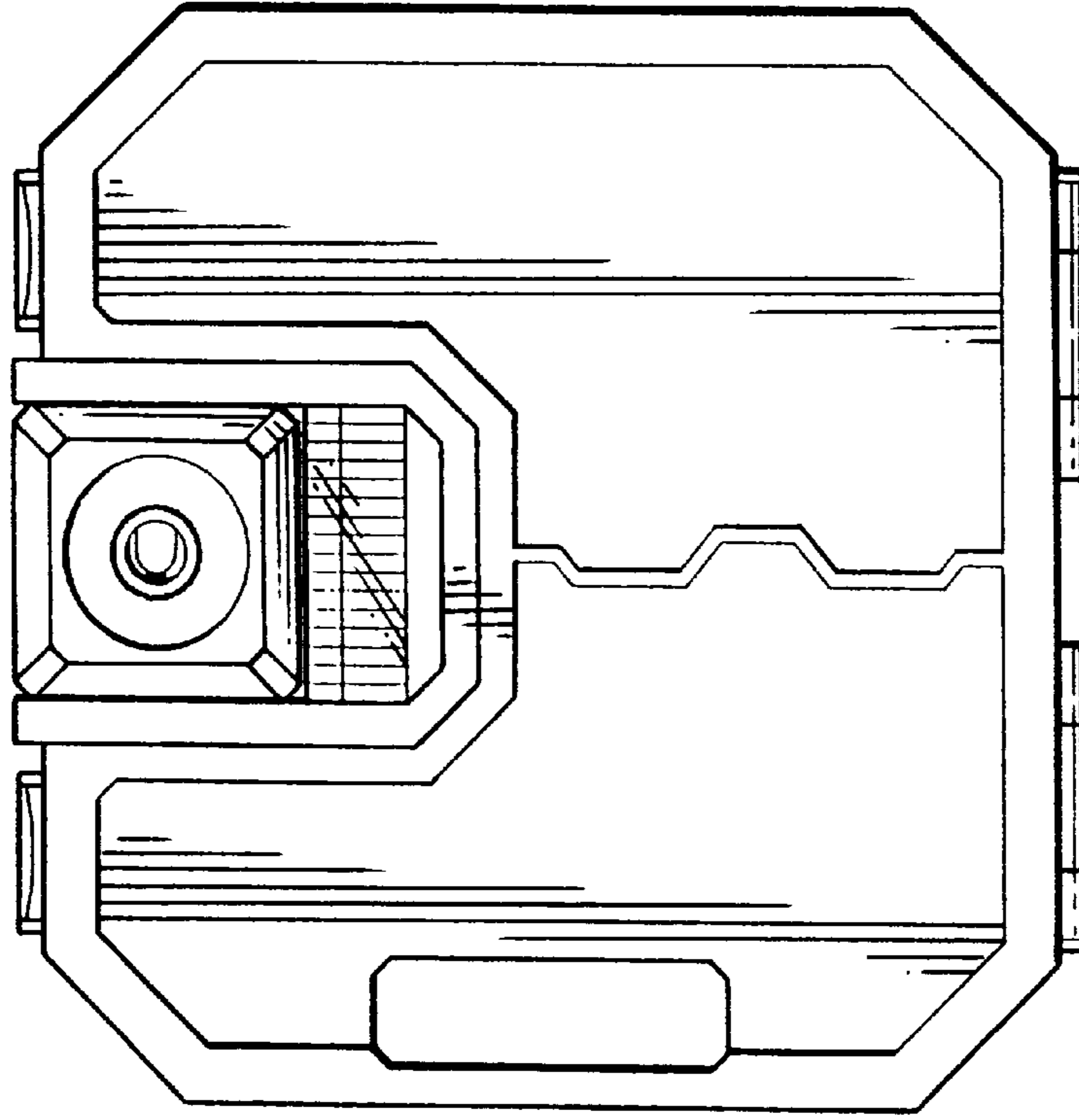


FIG. 8

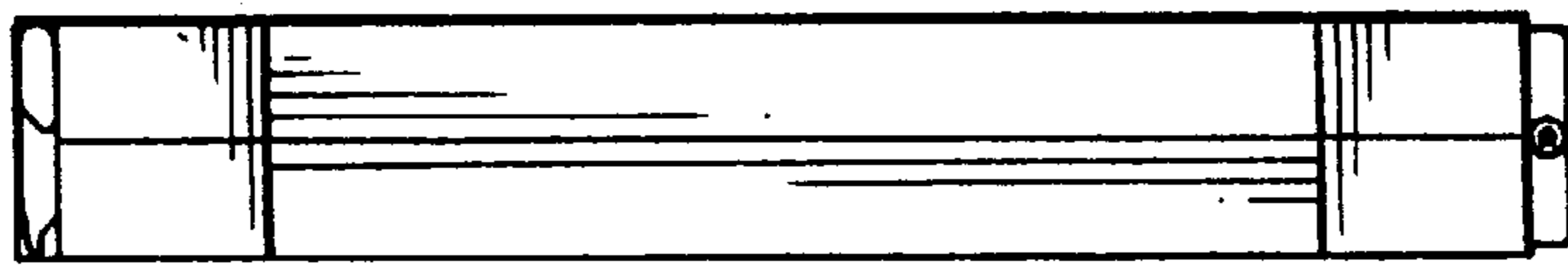


FIG. 7