



US00D414583S

United States Patent [19] Yasuda

[11] Patent Number: **Des. 414,583**

[45] Date of Patent: **** Sep. 28, 1999**

[54] **HAIR CLIP**

5,549,127 8/1996 Chang 132/277
5,642,740 7/1997 Chen 132/277

[75] Inventor: **Masahiro Yasuda**, Osaka, Japan

FOREIGN PATENT DOCUMENTS

[73] Assignee: **Kabushiki Kaisha Yasuda Corporation**, Osaka, Japan

332899 11/1903 France 132/133
270307 2/1996 Taiwan .

[**] Term: **14 Years**

OTHER PUBLICATIONS

[21] Appl. No.: **29/068,495**

Hong Kong Enterprise Oct. 1995, p. 961—item No. 232.

[22] Filed: **Mar. 21, 1997**

Primary Examiner—Ted Shooman

Assistant Examiner—C. Tuttle

[30] Foreign Application Priority Data

Attorney, Agent, or Firm—Armstrong, Westerman, Hattori, McLeland & Naughton

Dec. 27, 1996 [JP] Japan 8-39887

[51] **LOC (6) Cl.** **28-03**

[57] CLAIM

[52] **U.S. Cl.** **D28/40; D28/25; D28/29**

The ornamental design for a hair clip, as shown and described.

[58] **Field of Search** D28/25, 29, 39-43;
132/273-279, 126-129, 131-133, 138-139,
144-145, 148

DESCRIPTION

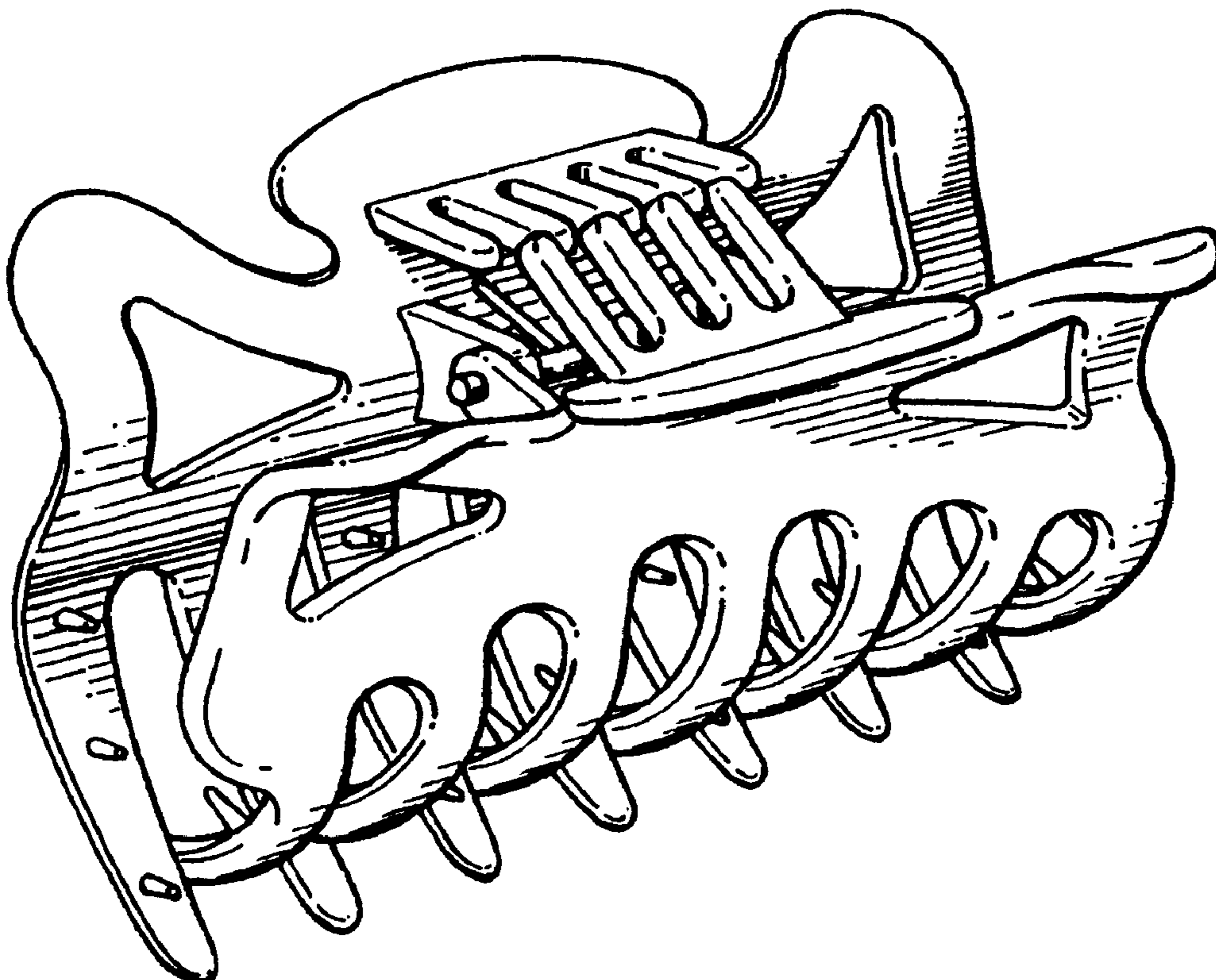
[56] References Cited

U.S. PATENT DOCUMENTS

184,793 11/1876 Morse 132/128
D. 381,119 7/1997 Chang D28/40
D. 381,767 7/1997 Chang D28/40
D. 384,786 10/1997 LaFauci D28/40 X
914,979 3/1909 Shadle 132/129
918,203 4/1909 Schwarzer 132/133
2,712,319 7/1955 Roitner 132/129
5,494,060 2/1996 Potut 132/277

FIG. 1 is a top view of a hair clip showing my new ornamental design;
FIG. 2 is a front elevational view thereof;
FIG. 3 is a bottom view thereof;
FIG. 4 is a side view thereof taken from the left side;
FIG. 5 is a side view thereof taken from the right side;
FIG. 6 is a rear elevational view thereof; and,
FIG. 7 is a perspective view thereof taken from the top left hand end of FIG. 1.

1 Claim, 2 Drawing Sheets



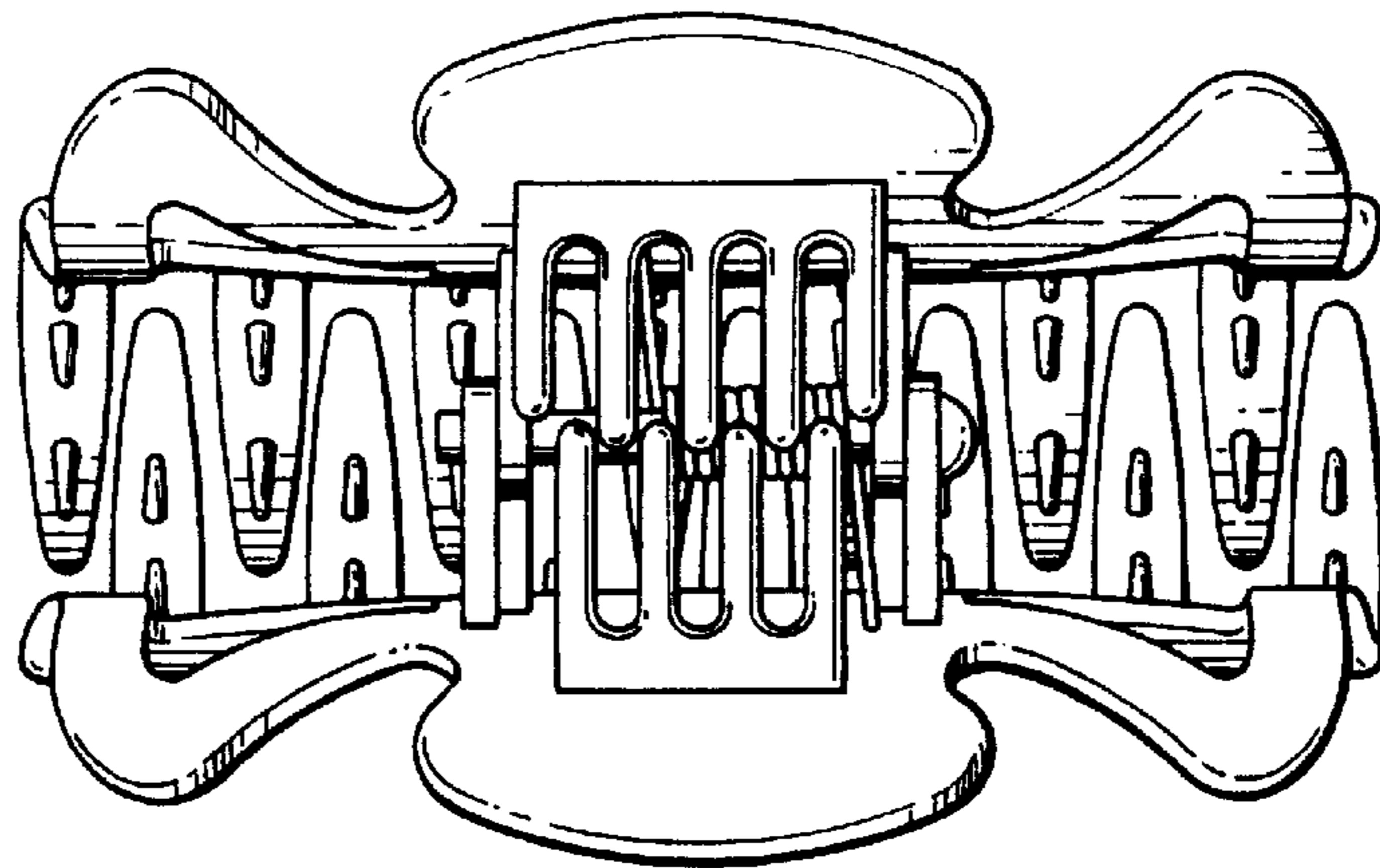


FIG. 1

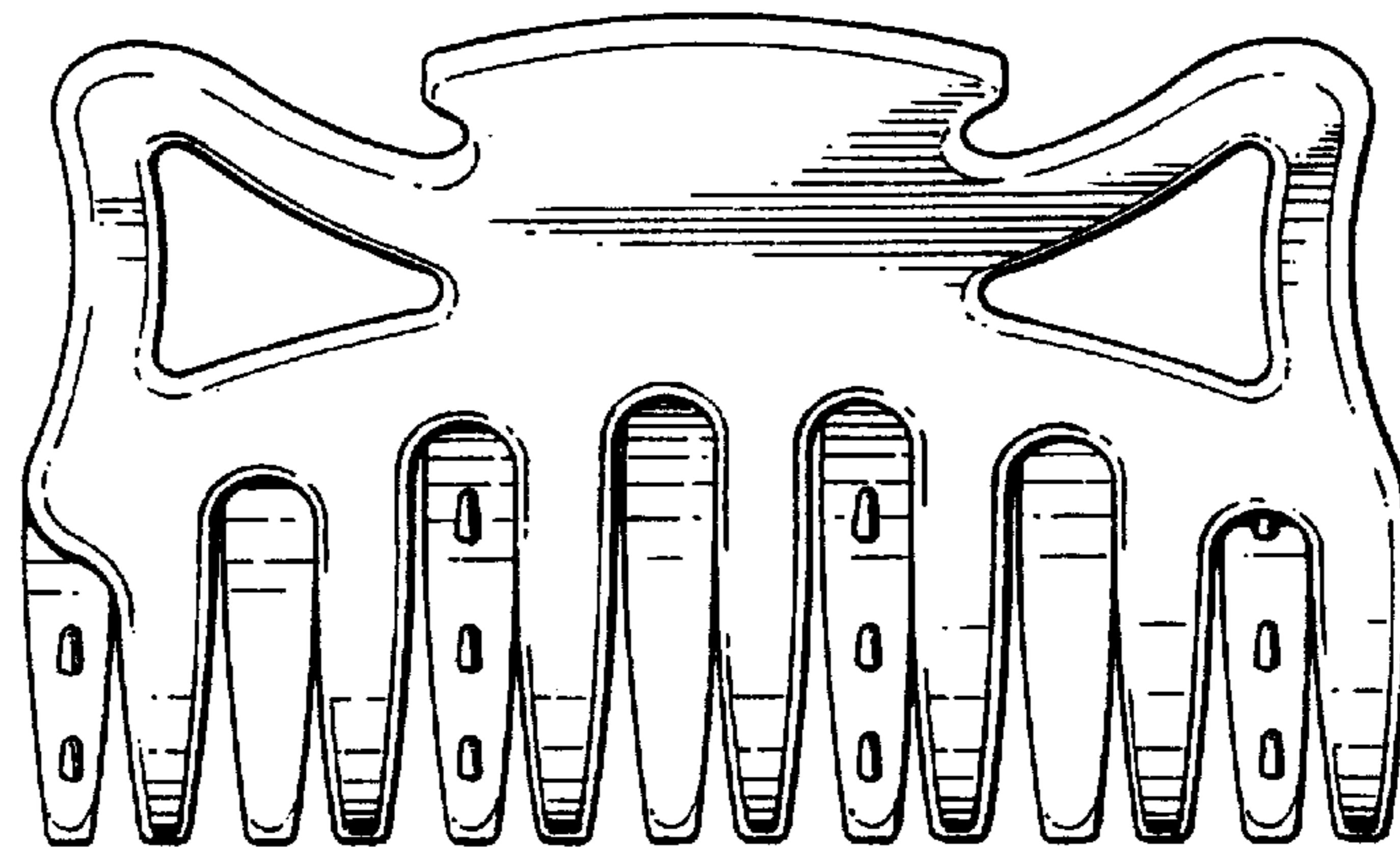


FIG. 2

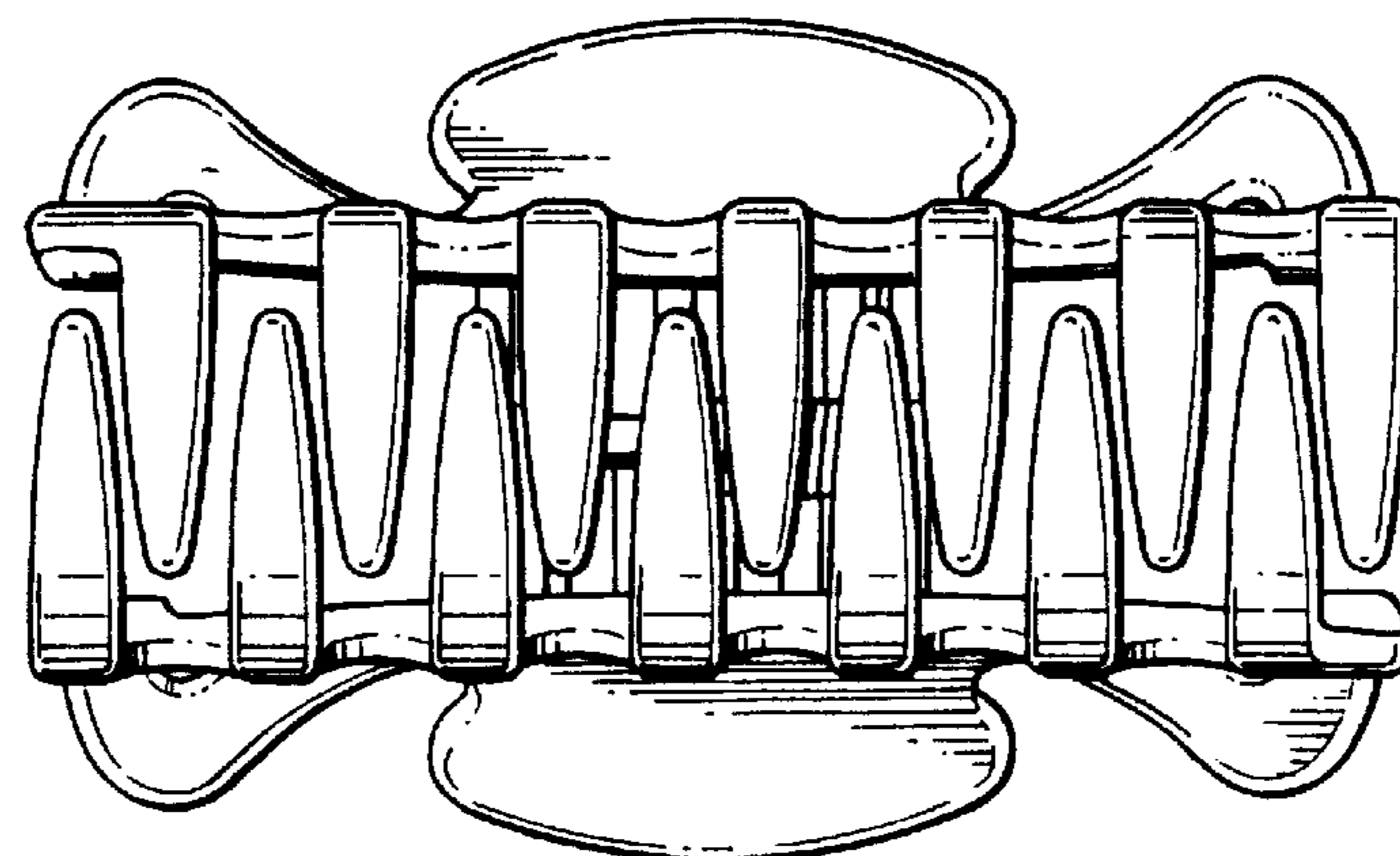


FIG. 3

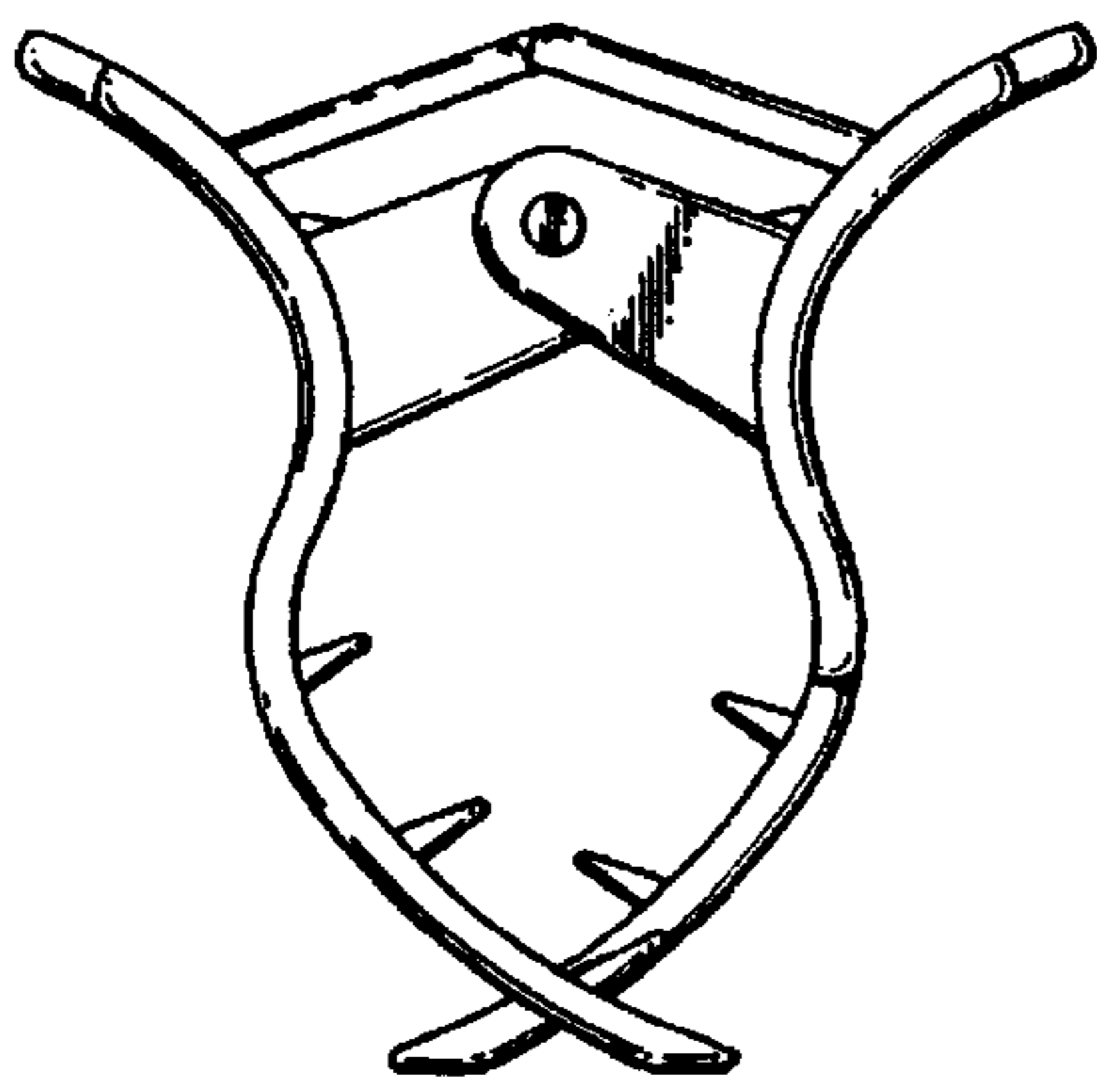


FIG. 4

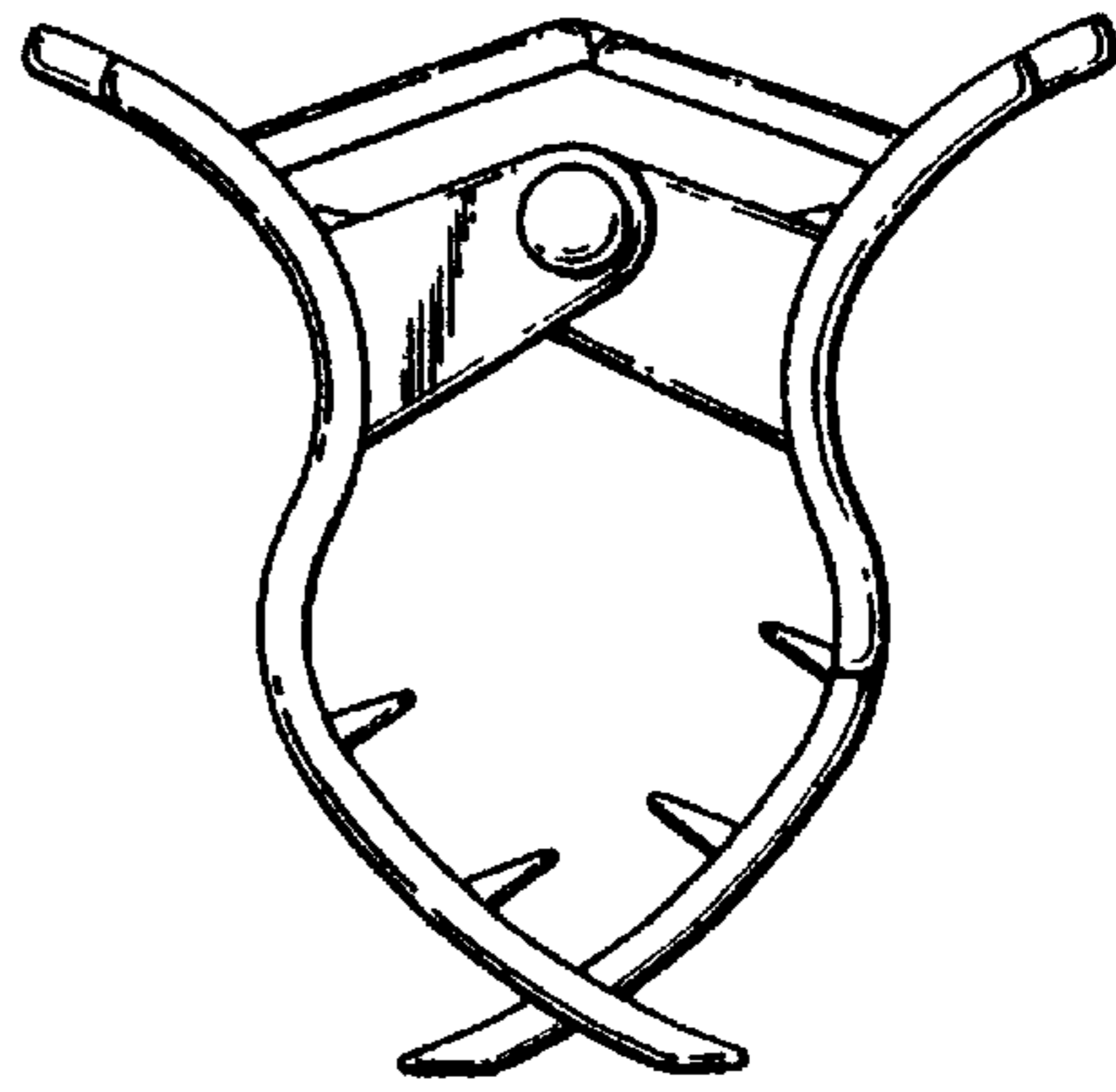


FIG. 5

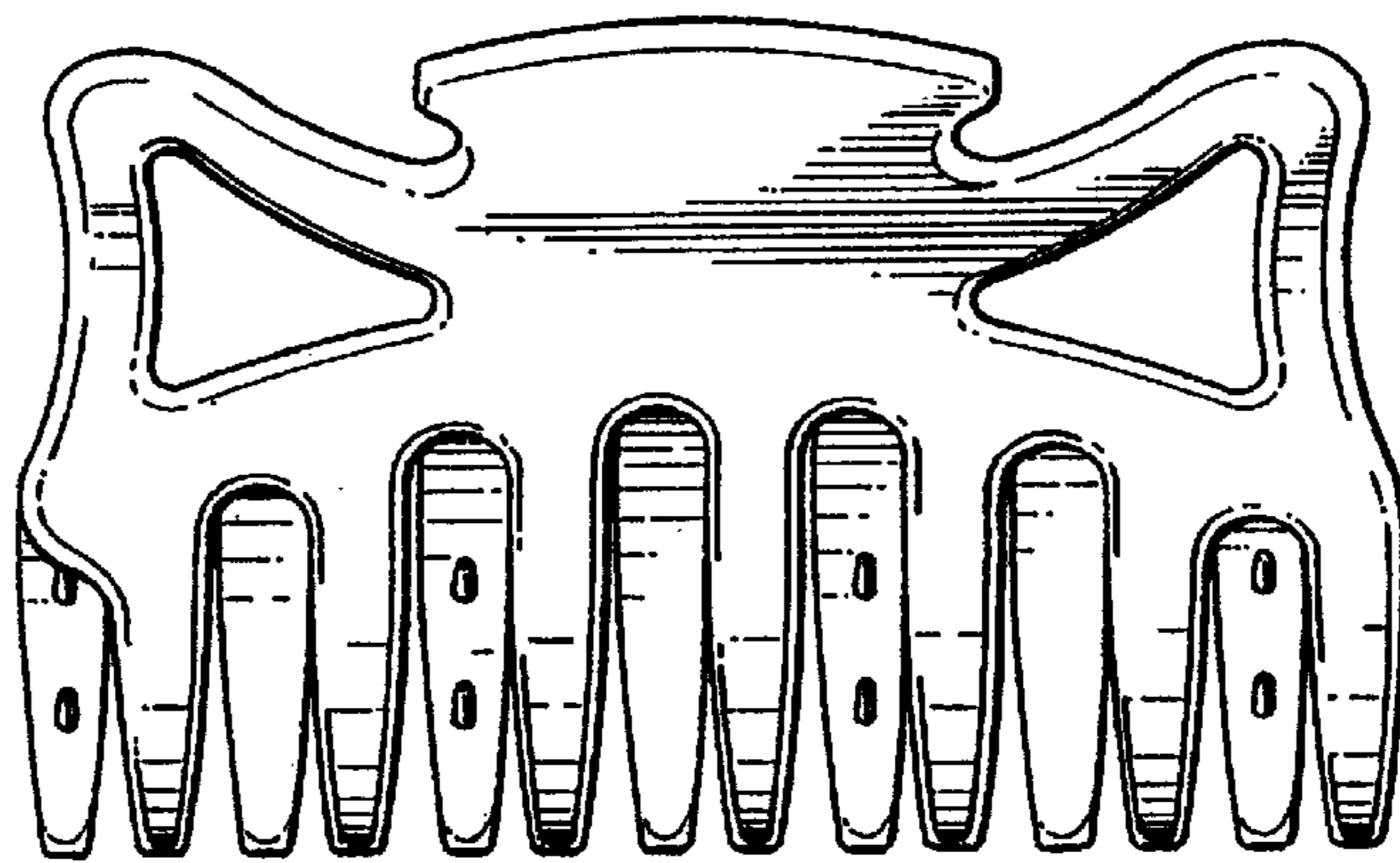


FIG. 6

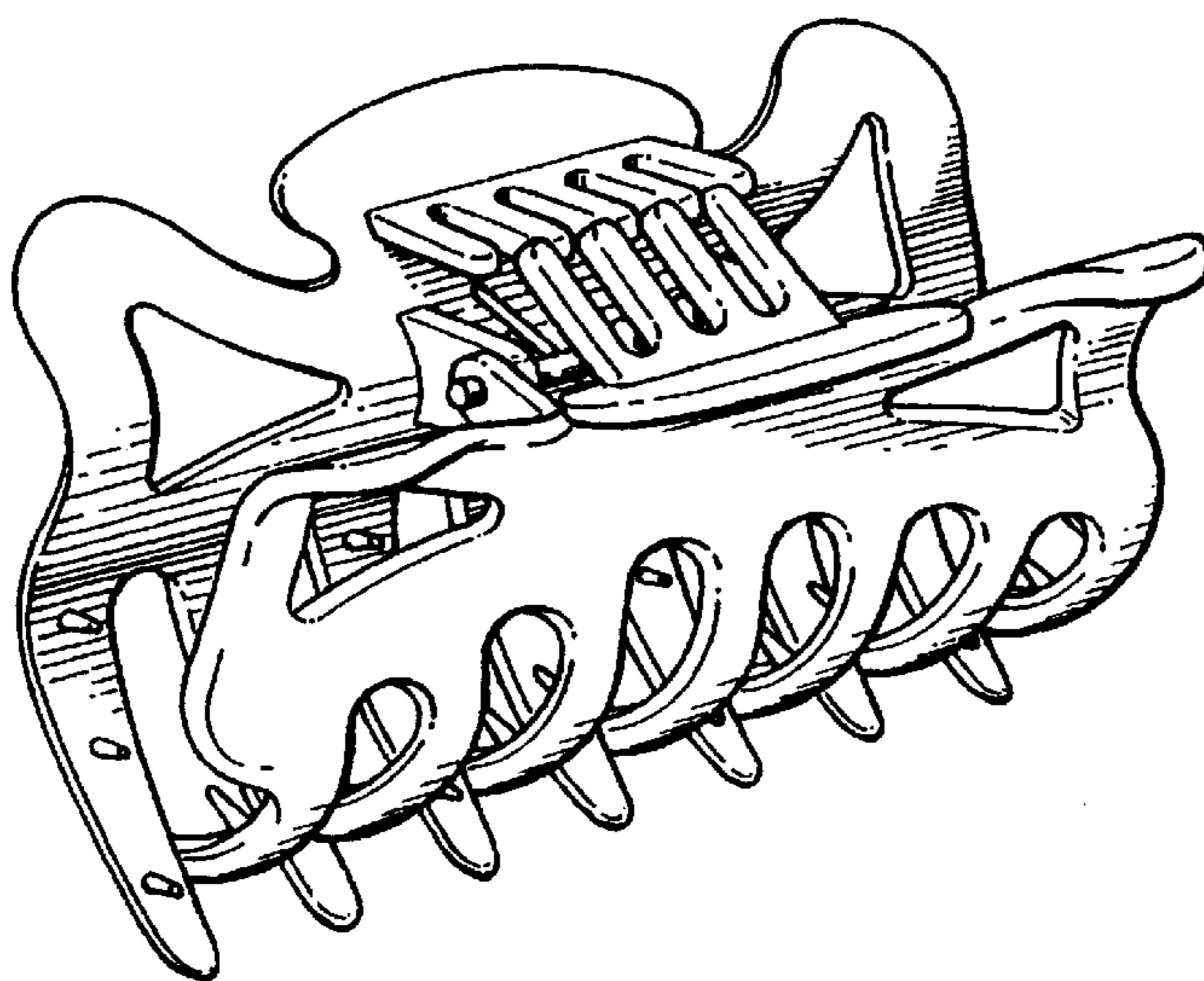


FIG. 7