



US00D414581S

# United States Patent [19] Yurk

[11] Patent Number: **Des. 414,581**

[45] Date of Patent: **\*\* Sep. 28, 1999**

[54] **ASH PAN**

[75] Inventor: **Arno Roland Yurk**, Kalamazoo, Mich.

[73] Assignee: **Landscape Forms, Inc.**, Kalamazoo, Mich.

[\*\*] Term: **14 Years**

[21] Appl. No.: **29/091,087**

[22] Filed: **Jul. 22, 1998**

[51] **LOC (6) Cl.** ..... **27-03**

[52] **U.S. Cl.** ..... **D27/104; D27/125; D27/102**

[58] **Field of Search** ..... **D27/102-107, D27/117-118, 121-125, 133-137; 131/213, 240.1, 241, 234, 235.1, 238, 256**

[56] **References Cited**

**U.S. PATENT DOCUMENTS**

Re. 21,080	5/1939	De Boer	.....	131/241	X
D. 347,924	6/1994	Yurk	.....	D99/5	
D. 370,081	5/1996	Mauldin	.....	D27/105	
3,220,419	11/1965	Nicholson	.....	131/241	
3,753,441	8/1973	Bennett	.....	131/235.1	

*Primary Examiner*—Susan J. Lucas  
*Assistant Examiner*—Jennifer Rivard  
*Attorney, Agent, or Firm*—Heslin & Rothenberg, P.C.

[57] **CLAIM**

The ornamental design for an ash pan, as shown and described.

**DESCRIPTION**

FIG. 1 is a perspective view of an ash pan which embodies my design;

FIG. 2 is a front elevational view thereof, the rear elevational view being a mirror image thereof;

FIG. 3 is a right-side elevational view thereof, the left-side elevational view being a mirror image thereof;

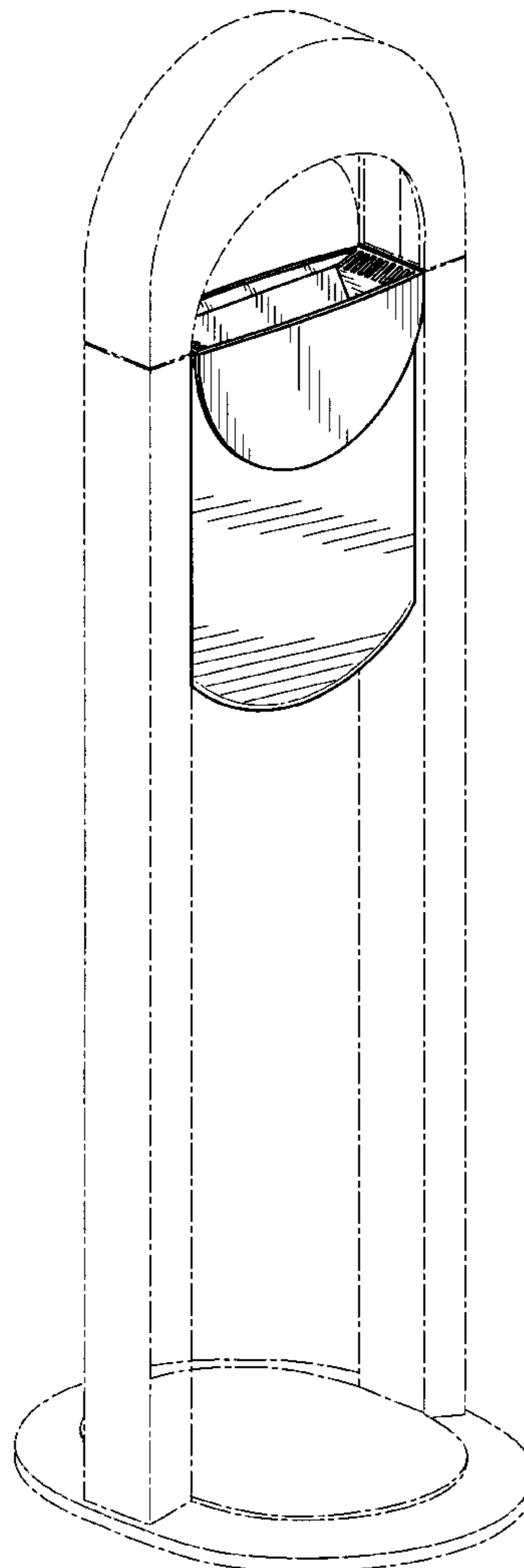
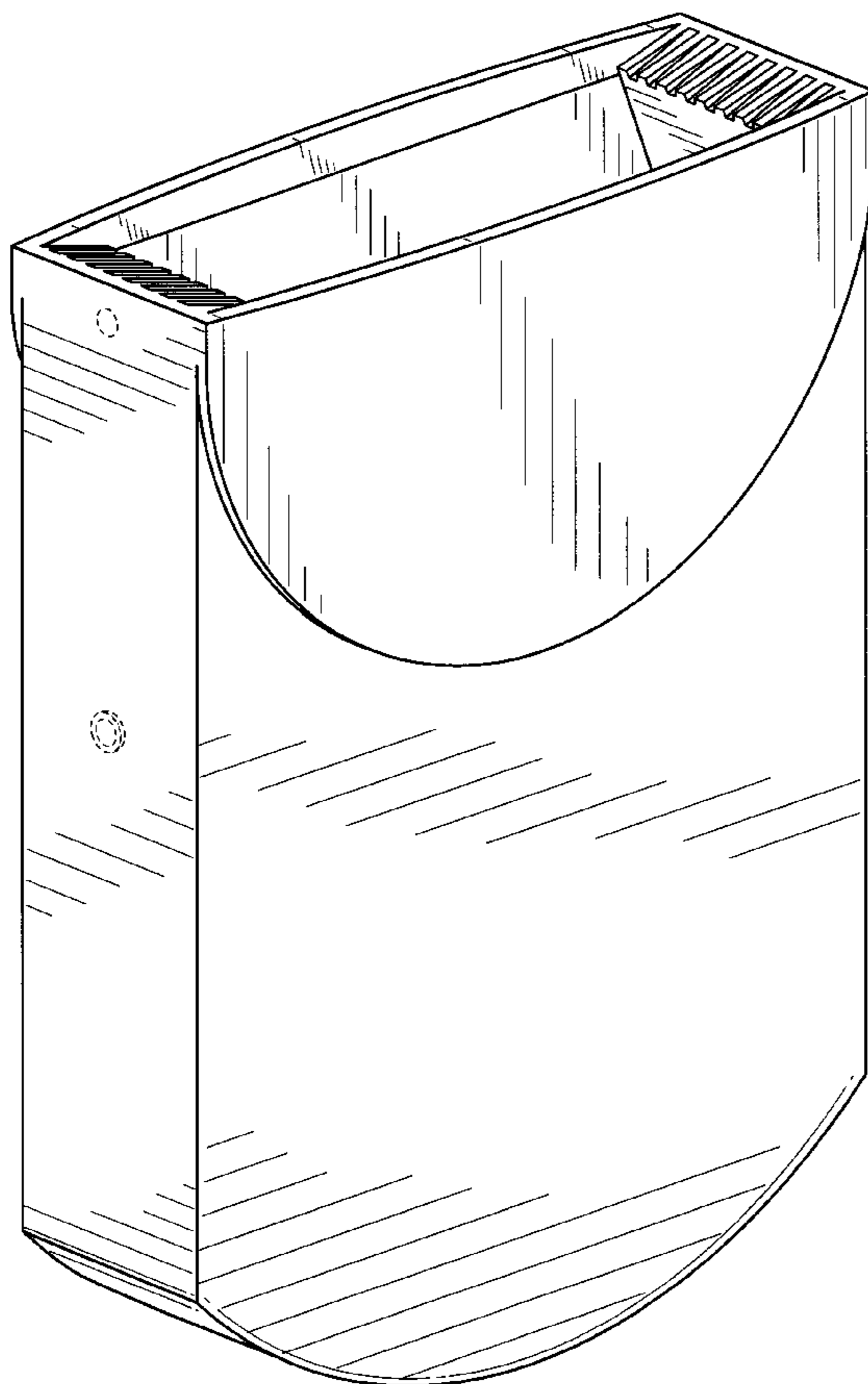
FIG. 4 is a top plan view thereof;

FIG. 5 is a bottom plan view thereof; and,

FIG. 6 is a perspective view of the ash pan employed as part of an ash urn.

The broken line showings in the drawing figures are for illustrative purposes only and form no part of the claimed design.

**1 Claim, 4 Drawing Sheets**



*FIG. 1*

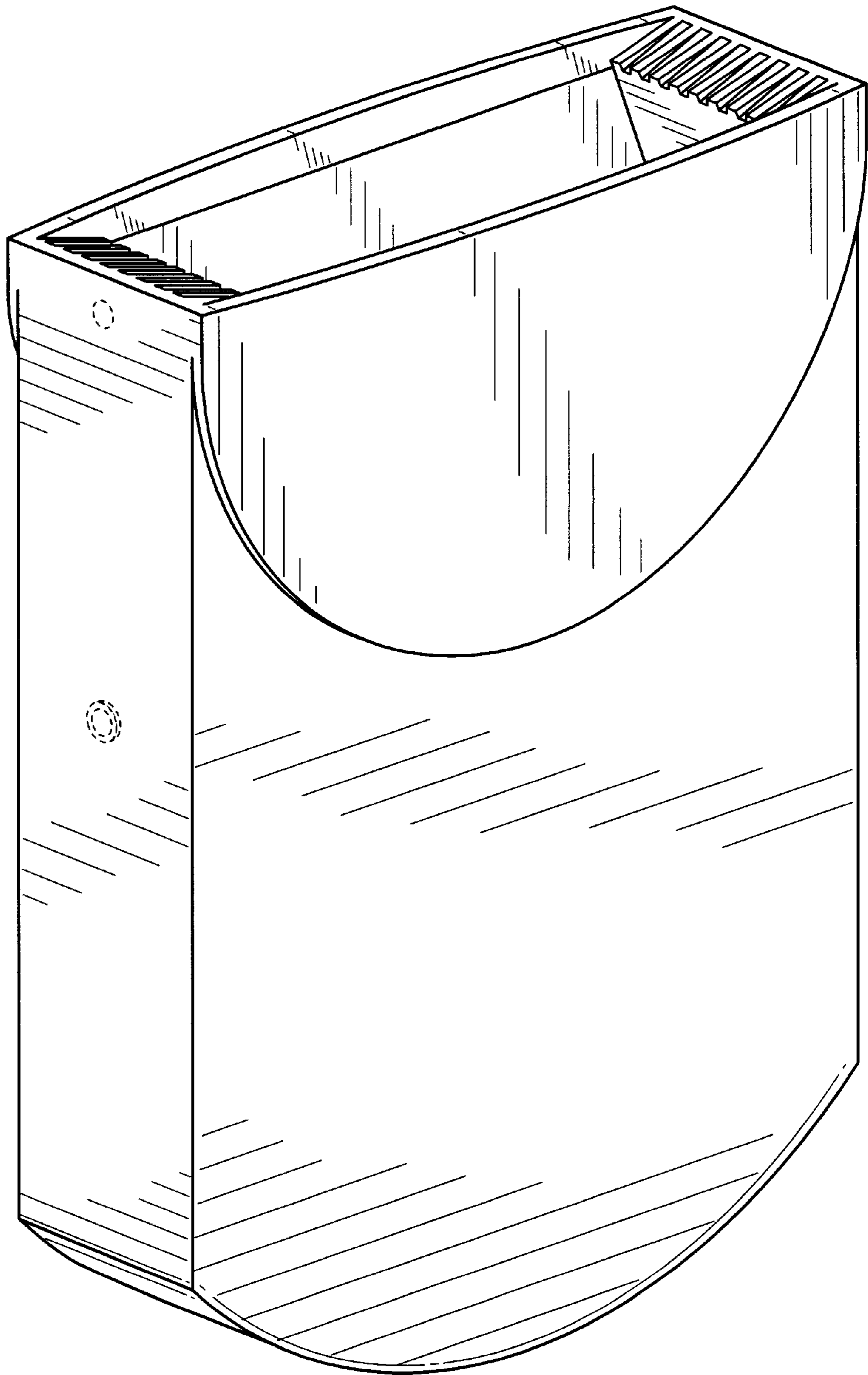


FIG. 3

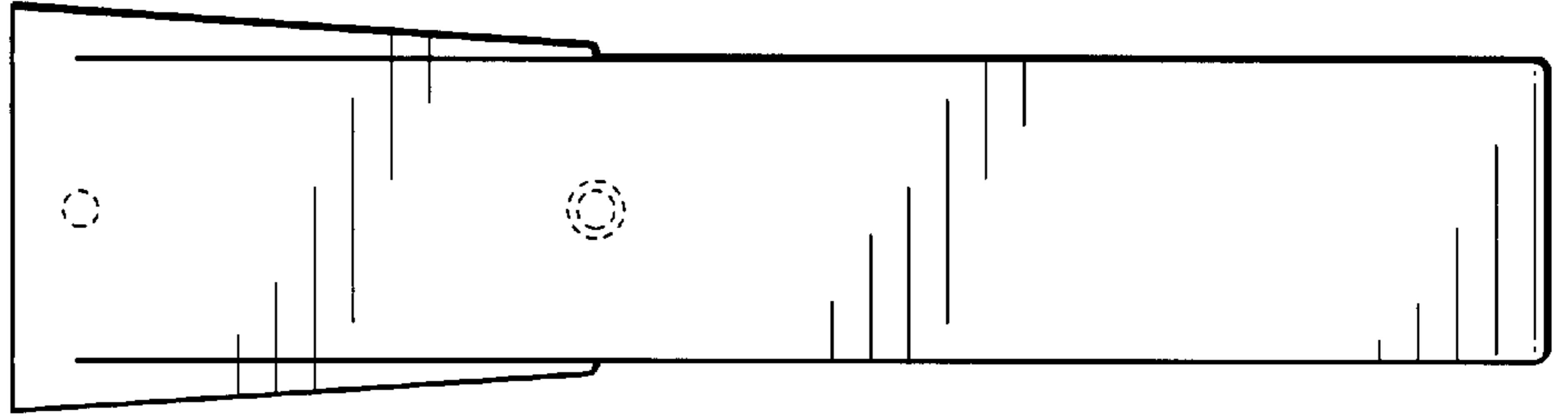
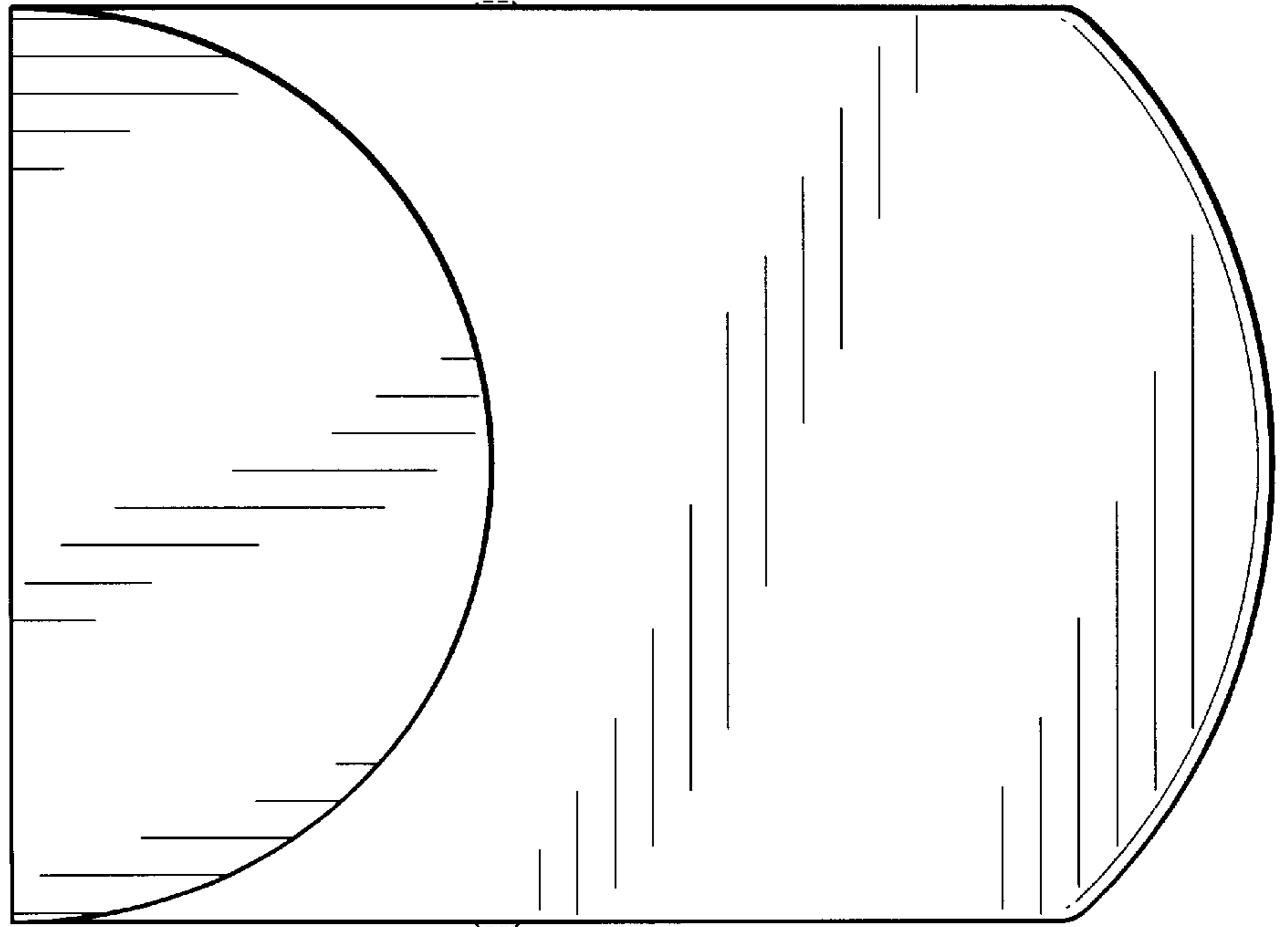
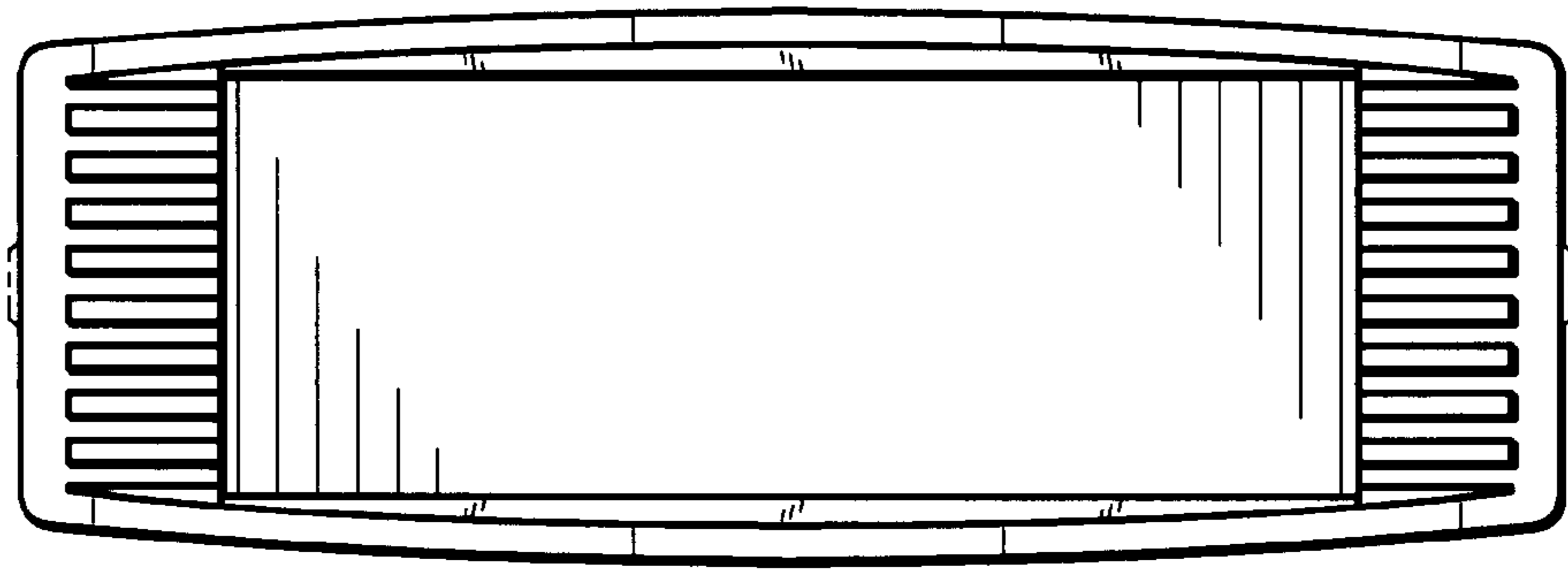


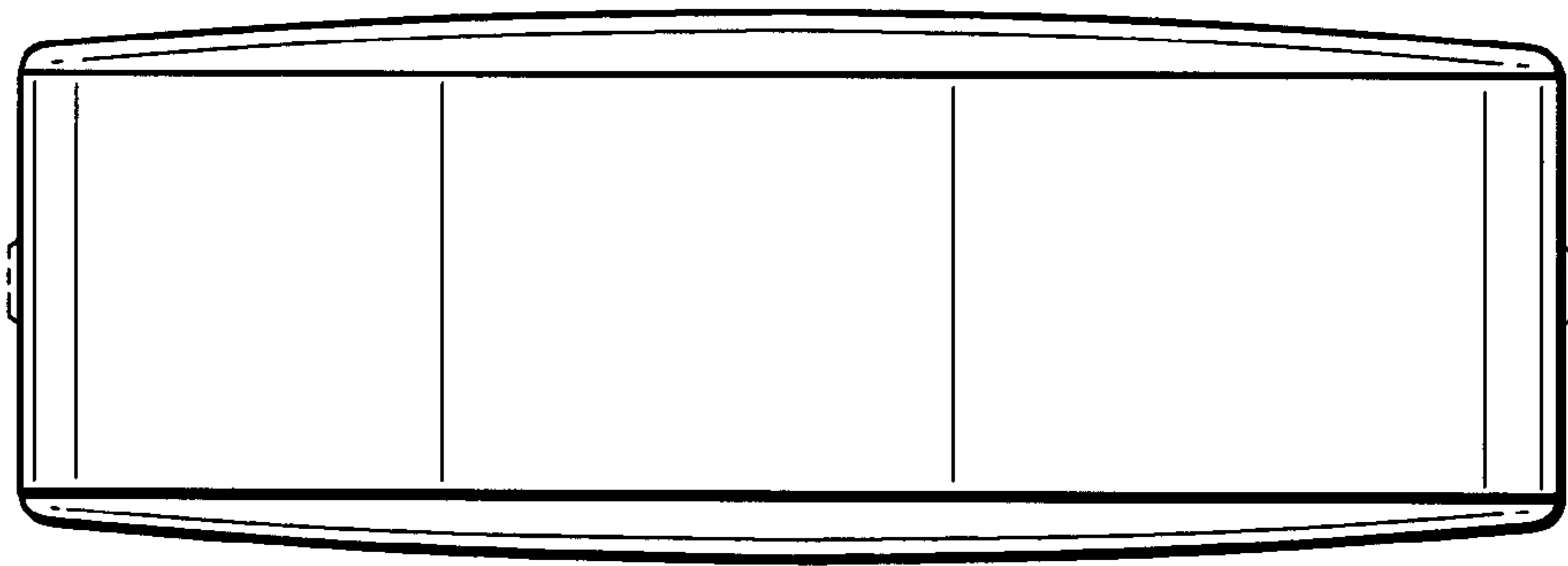
FIG. 2



*FIG. 4*



*FIG. 5*



*FIG. 6*

