



US00D414580S

United States Patent [19]

Herst

[11] **Patent Number: Des. 414,580**

[45] **Date of Patent: ** Sep. 28, 1999**

[54] **DIRECT-INDIRECT LUMINAIRE HOUSING**

[75] Inventor: **Douglas J. Herst**, Ross, Calif.

[73] Assignee: **NSI Enterprises, Inc.**, Atlanta, Ga.

[**] Term: **14 Years**

[21] Appl. No.: **29/096,337**

[22] Filed: **Nov. 10, 1998**

D. 363,805	10/1995	Cole, Jr.	D26/76
D. 365,651	12/1995	Herst et al.	D26/77
4,351,017	9/1982	Ball	362/147

OTHER PUBLICATIONS

Voigt Lighting Industries, universal downlights, top light, Group 2900, Dec. 1993.

Primary Examiner—Susan J. Lucas
Attorney, Agent, or Firm—Donald L. Beeson

[57] CLAIM

The ornamental design for a direct-indirect luminaire housing, as shown and described.

DESCRIPTION

FIG. 1 is a broken away bottom perspective view of a direct-indirect luminaire housing in accordance with my new design;
 FIG. 2 is a broken away bottom plan view thereof;
 FIG. 3 is a broken away front elevational view thereof, the rear being a mirror image thereof; and,
 FIG. 4 is a left side elevational view thereof, the right side being a mirror image thereof.
 FIGS. 1-3 are broken away to indicate indeterminate length.

Related U.S. Application Data

[62] Division of application No. 29/054,872, May 23, 1996, Pat. No. Des. 401,000.

[51] **LOC (6) Cl.** **26-05**

[52] **U.S. Cl.** **D26/76**

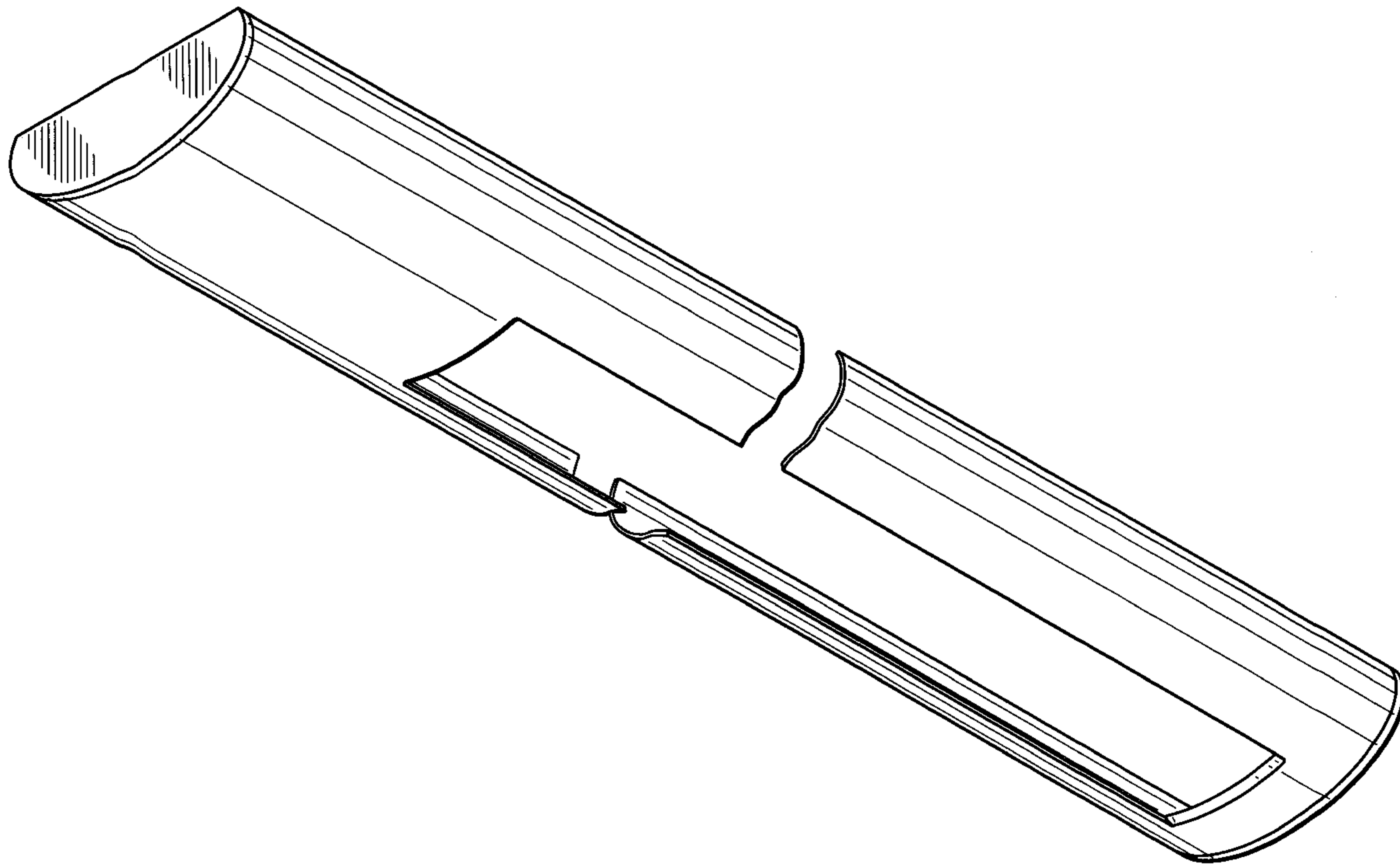
[58] **Field of Search** D26/76-79; 362/147, 362/217, 222, 223, 224

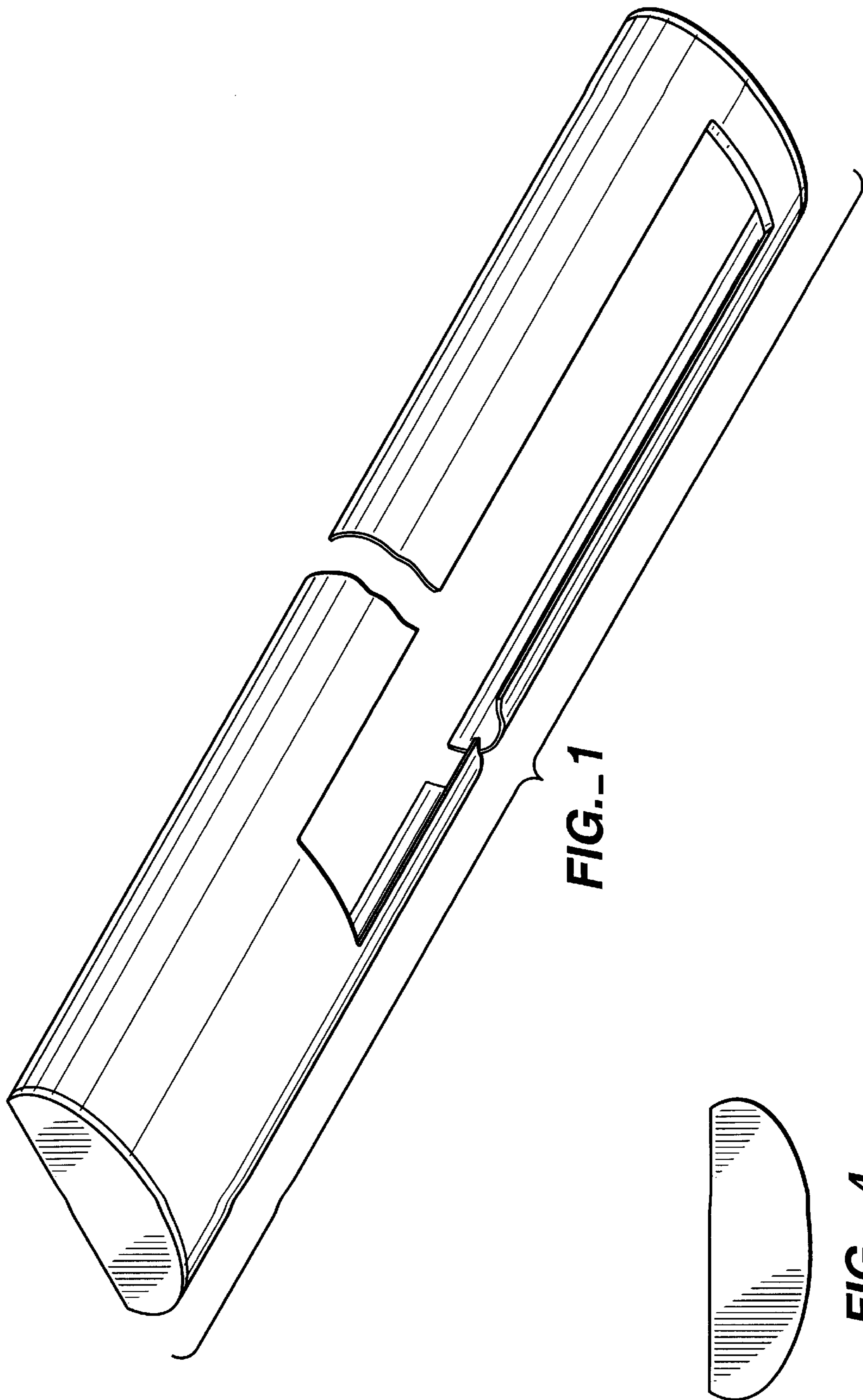
[56] References Cited

U.S. PATENT DOCUMENTS

D. 150,830	9/1948	Duepner	D26/77
D. 344,605	2/1994	Aspenwall	D26/76
D. 362,315	9/1995	Herst et al.	D26/76

1 Claim, 2 Drawing Sheets





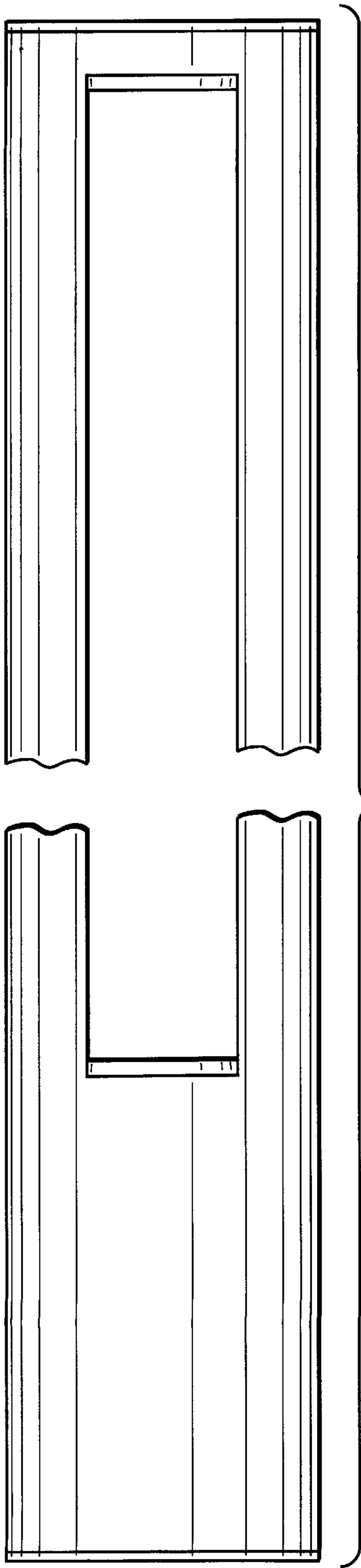


FIG. 2

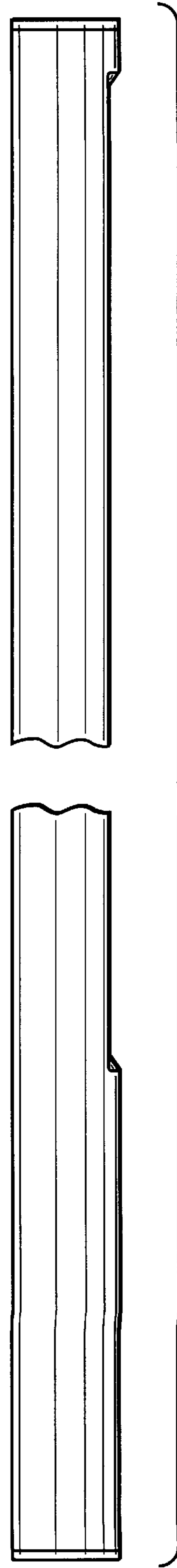


FIG. 3