



US00D414579S

United States Patent [19]

[11] **Patent Number: Des. 414,579**

Denison et al.

[45] **Date of Patent: ** Sep. 28, 1999**

[54] **OUTDOOR ELECTRICAL LIGHTING
FIXTURE**

[75] Inventors: **John F. Denison**, Lake Villa, Ill.;
Robert D. Giese, Kenosha, Wis.

[73] Assignee: **Intermatic Incorporated**, Spring
Grove, Ill.

[**] Term: **14 Years**

[21] Appl. No.: **29/092,534**

[22] Filed: **Aug. 21, 1998**

Related U.S. Application Data

[63] Continuation of application No. 29/066,447, Feb. 11, 1997,
abandoned.

[51] **LOC (6) Cl.** **26-05**

[52] **U.S. Cl.** **D26/68; D26/63**

[58] **Field of Search** D26/60, 61, 63,
D26/67, 68, 69; 362/431, 147, 153, 153.1,
269, 275, 285, 287, 418, 419, 427

[56] **References Cited**

U.S. PATENT DOCUMENTS

- D. 333,529 2/1993 Denison et al. .
- D. 370,070 5/1996 Kay .
- 5,651,606 7/1997 Krogman 362/267 X

OTHER PUBLICATIONS

Bright Lighting catalog, p. 82, exterior lighting fixture,
#C-7002H, (Jan.1995).

Intermatic Landscape lighting catalog, p. 4, exterior lighting
fixture, #PL131, (1992).

Shalda Garden Lighting Fixtures catalog, p. 6, exterior
lighting fixture #531, (Jul.1996).

Bright Lin Hiey Co., Ltd., Garden Lighting catalog No. 300,
p. 82, (Jan. 1995).

Dabmar, Energy Efficient Lighting catalog, p. 2 (May 1997).
DMF Lighting, Low Voltage Garden Lighting catalog, p. 51
(1996).

Fondgear Co., Ltd., Halogen Garden Lights (1997).

Home Depot, Intermatic Malibu and Redodot Line Voltage
(1997).

Intermatic, Architectural Grade Landscape Lighting Prod-
ucts, p. 3 (May 1995).

Rockscapes, Inc., Light Fare (Aug. 1997).

Ruud Lighting, Low Voltage Landscaping Lighting (1997).

Wang Chiang Enterprise Co., Ltd, Spot Lighting, p. 198
(1996).

Hanover Lantern catalog, p. 12, Terralight exterior light #
6389, 1989.

Primary Examiner—Susan J. Lucas

Attorney, Agent, or Firm—Brinks Hofer Gilson & Lione

[57] **CLAIM**

The ornamental design for an outdoor electrical lighting
fixture, as shown and described.

DESCRIPTION

FIG. 1 is a perspective view of an outdoor electrical lighting
fixture showing our new design;

FIG. 2 is a side view thereof the opposite side being a mirror
image;

FIG. 3 is a front view thereof;

FIG. 4 is a back view thereof; and

FIG. 5 is a top view thereof; and,

FIG. 6 is a bottom view thereof.

The broken lines are shown for illustrative purposes and
form no part of the claimed design.

1 Claim, 2 Drawing Sheets

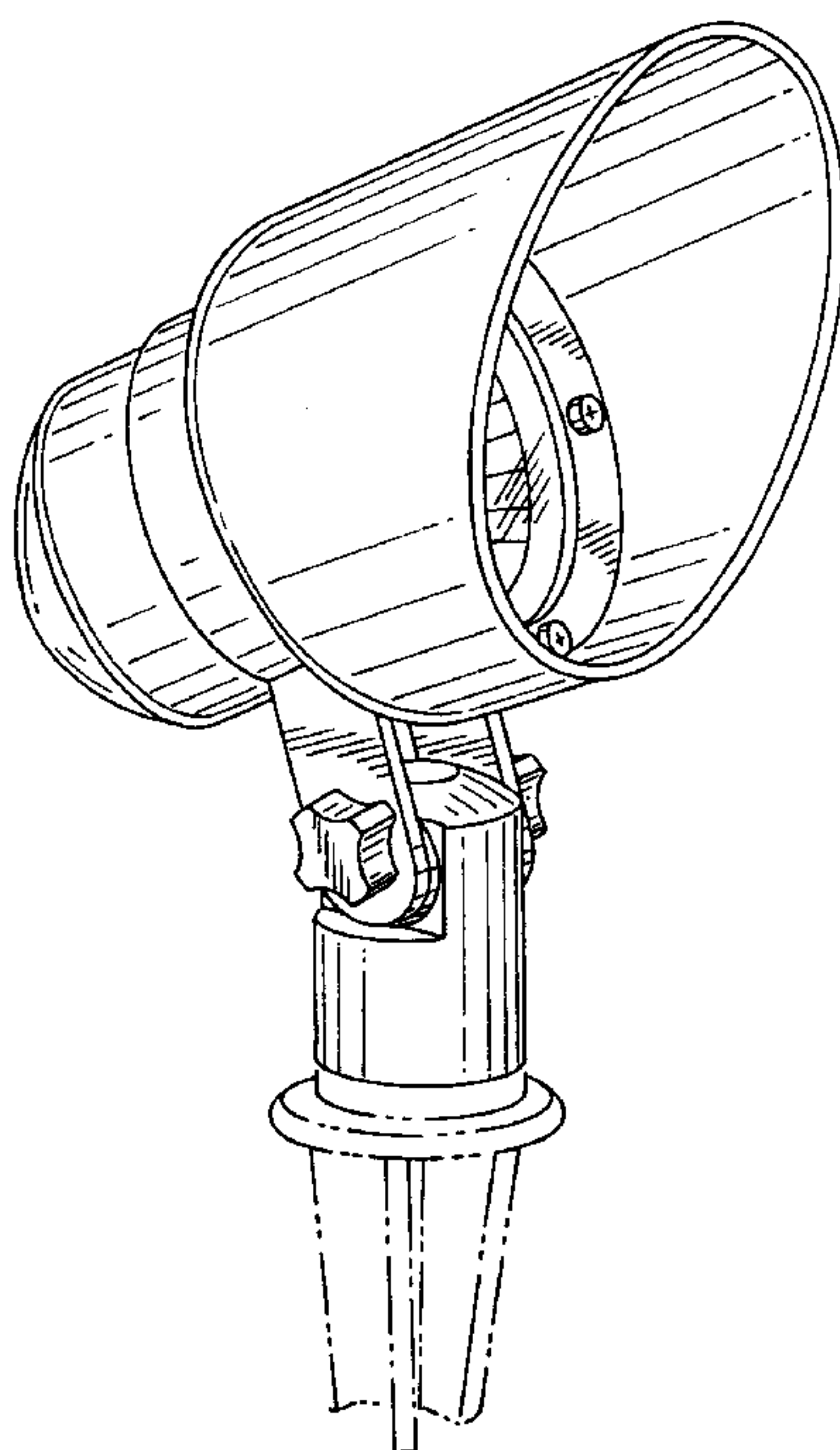


FIG. 3

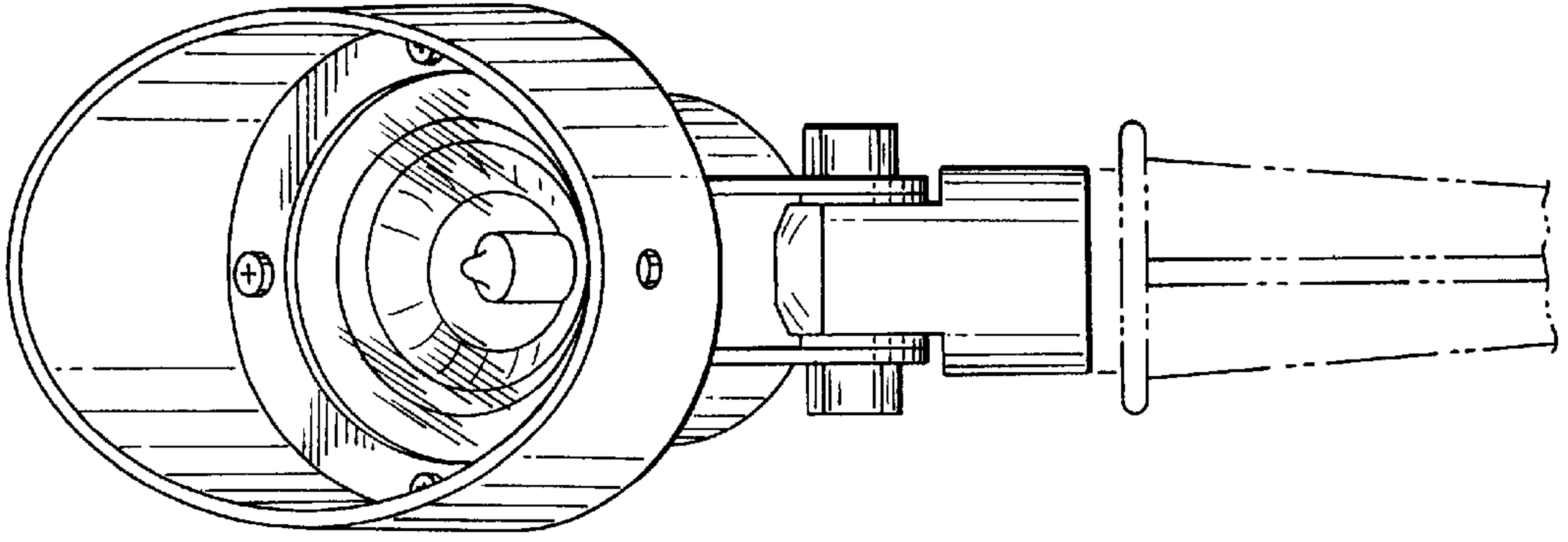


FIG. 2

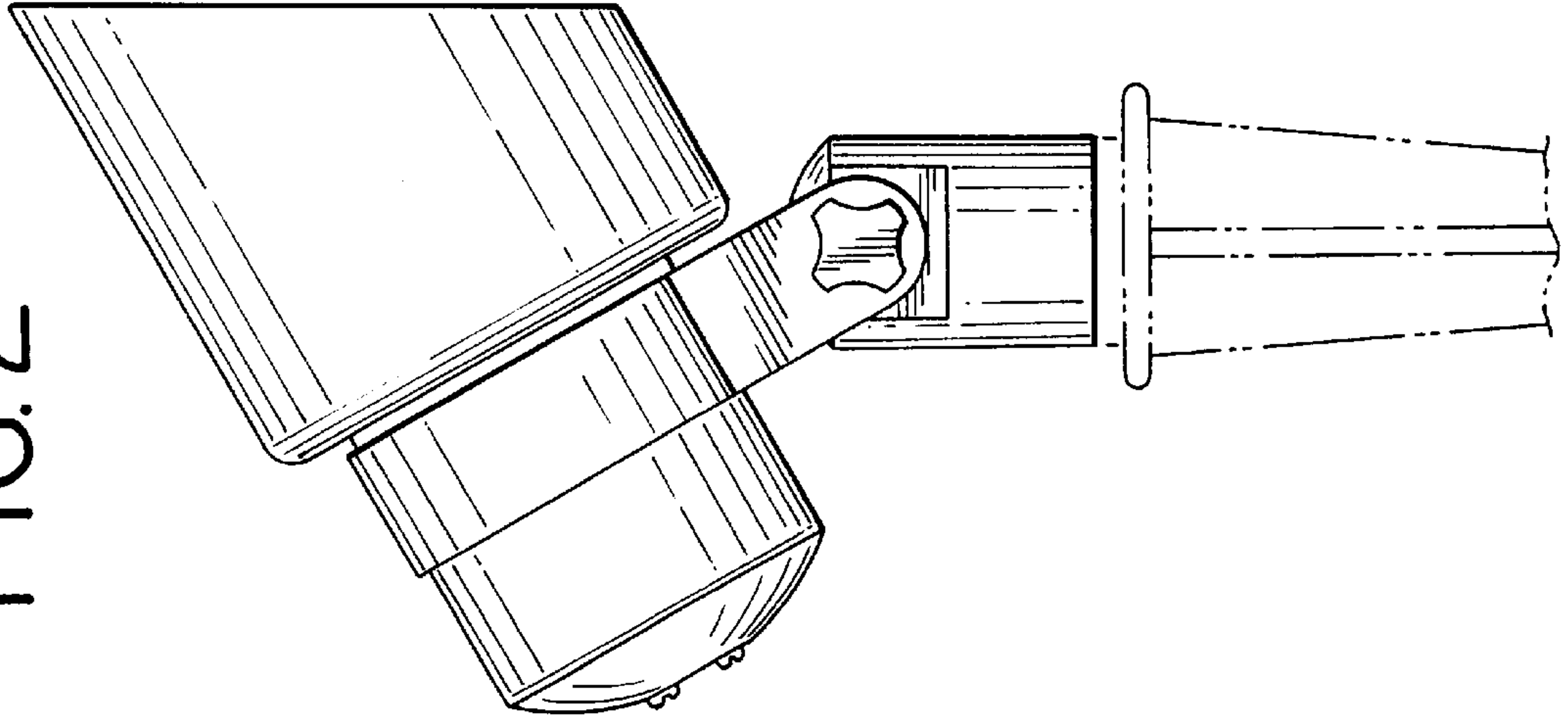


FIG. 1

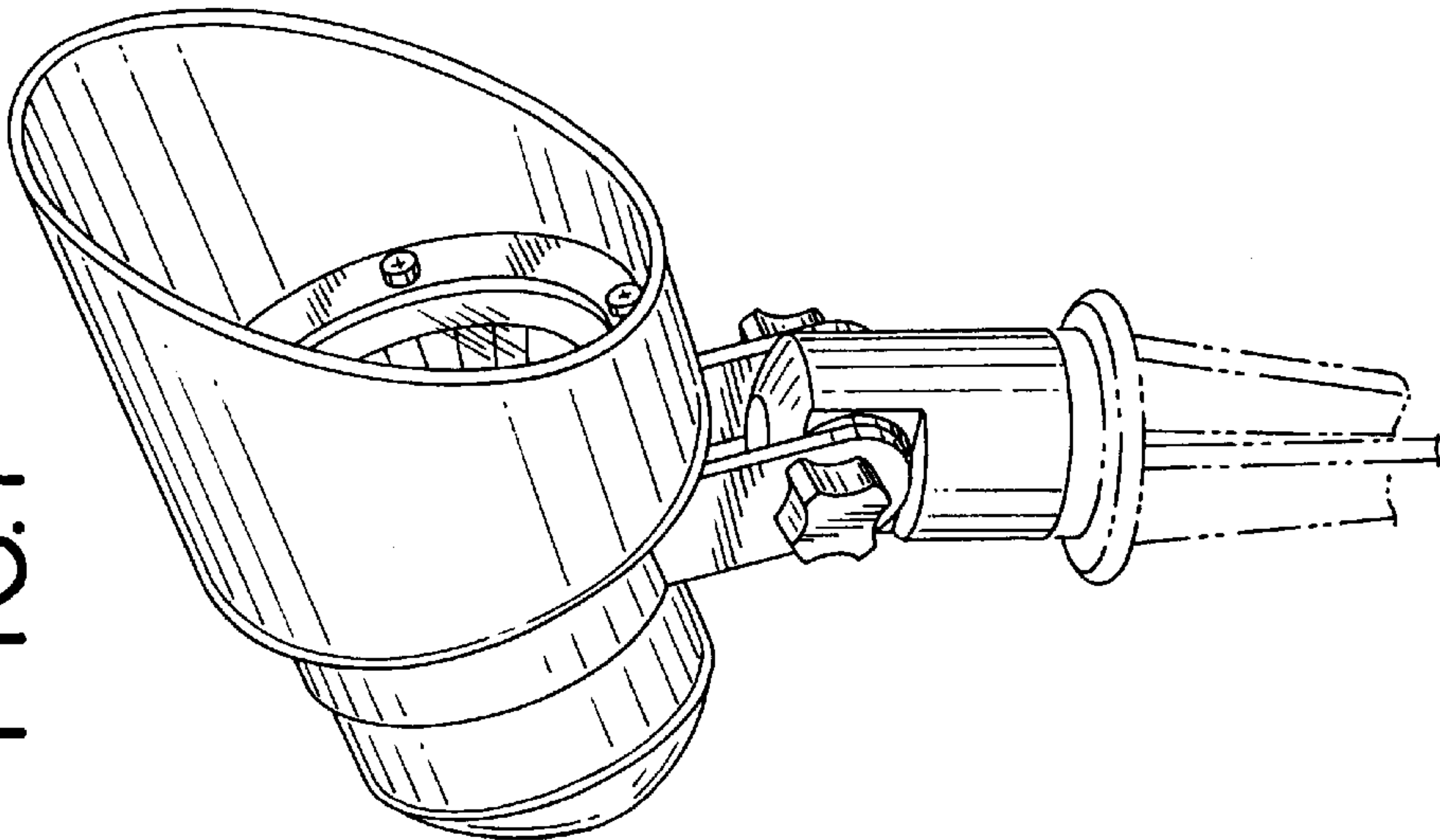


FIG. 4

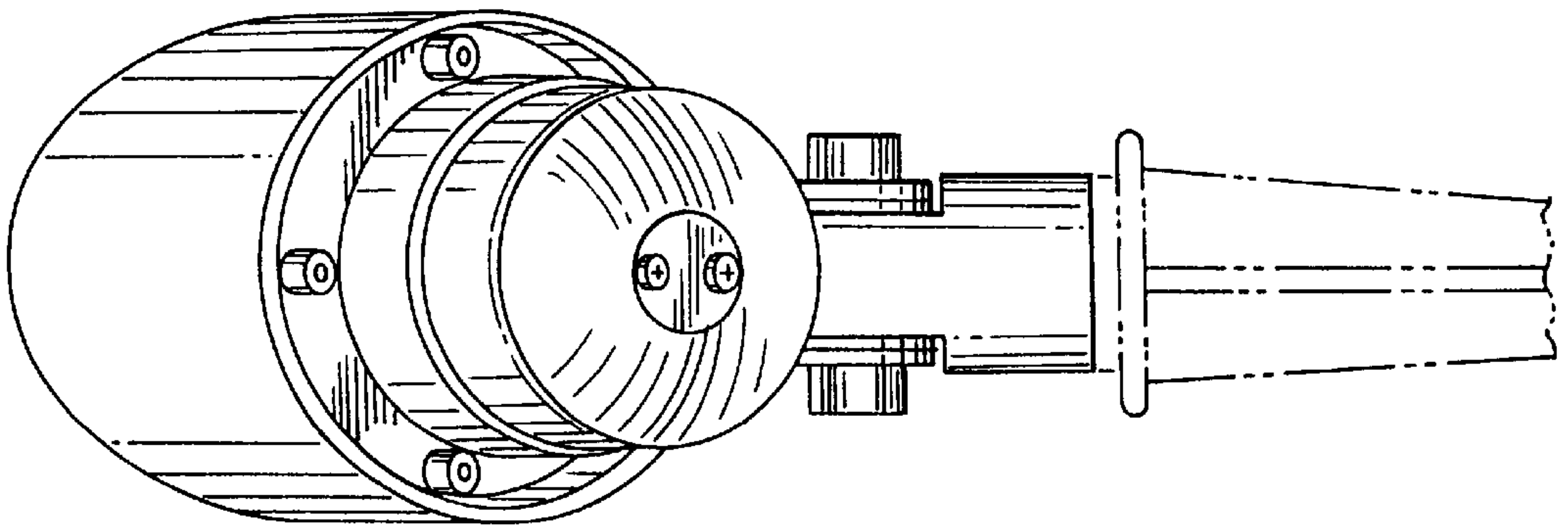


FIG. 5

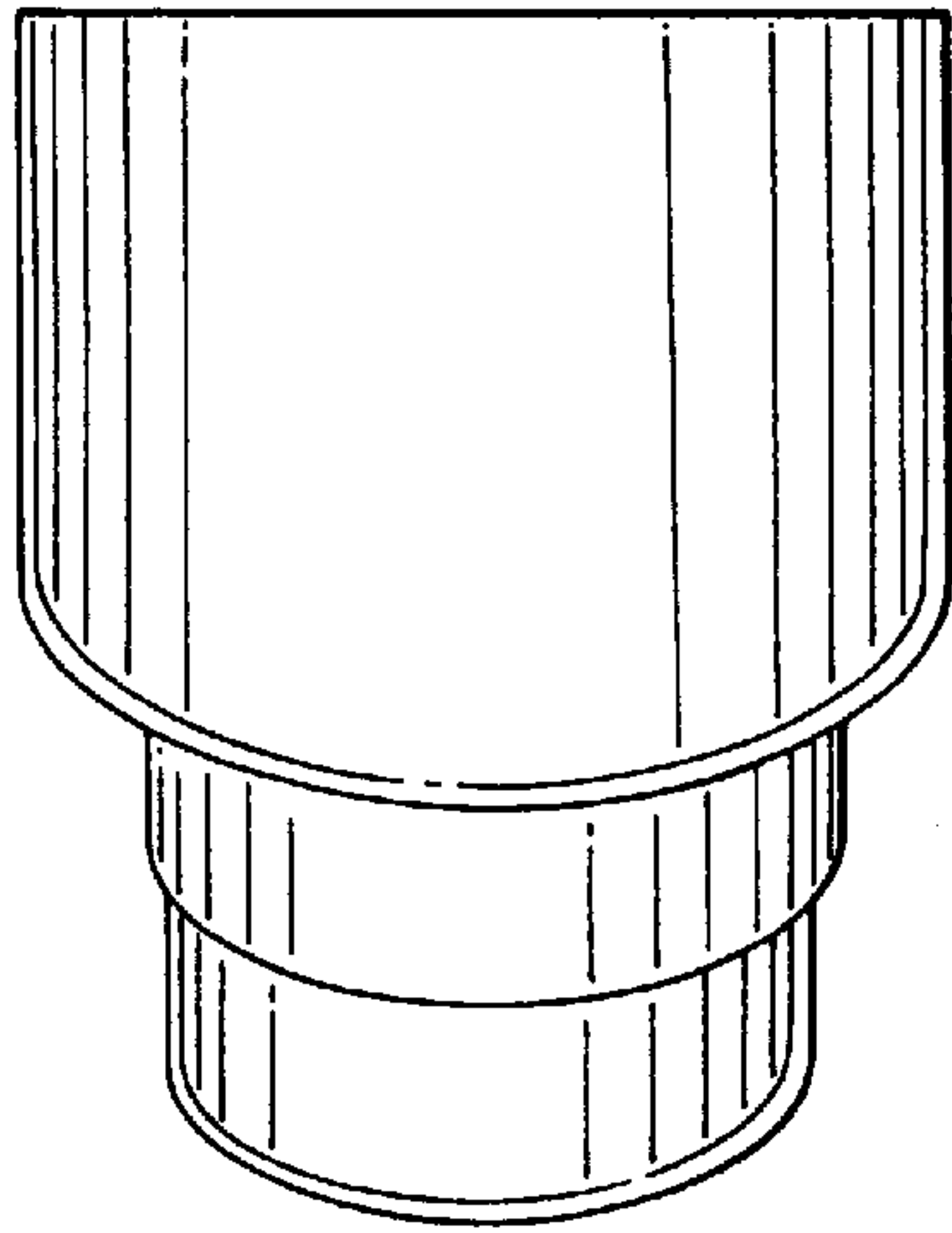


FIG. 6

