



US00D414578S

# United States Patent [19]

[11] Patent Number: Des. 414,578

Chen et al.

[45] Date of Patent: \*\* Sep. 28, 1999

## [54] TASK LIGHT

## OTHER PUBLICATIONS

[75] Inventors: **Edwin T. Chen**, St. Paul; **Perry S. Dotterman**, Maplewood; **Kenneth J. Kirchhoff**, Gem Lake, all of Minn.; **Lawrence J. Fenske**, Oregon; **Michael J. Brock**, Madison, both of Wis.

“Vision”, Luxo Lamp Corporation (2 pages), 1996.  
“Asymmetric Fluorescent Task Lighting”, Luxo Lamp Corporation (6 pages), 1990.  
“Euro-Select Series—Geneva: task lighting for a multi-task environment.”, Waldmann Lighting, (4 pages), Brochure No. GR-47-0496-5, 1996.  
“Euro-Select Series—Roma: Task lighting designed for the 21<sup>st</sup> century”, Waldmann Lighting, (4 pages), Brochure No. RR46-1096-5, 1996.  
“Euro-Select Series—Barcelona: contemporary elegance, superior task lighting”, Waldmann Lighting, (4 pages), Brochure No. 48-0496-5, 1996.  
“Euro-Select Series—Vienna: task lighting that gets down to business”, Waldmann Lighting, (4 pages), Brochure No. VIR-1000, 1996.  
“Undercabinet 218 Task Light Features Parabolic Louver System”, Waldmann Lighting (2 pages).  
“Office Products Task Lighting Price List”, Waldmann Lighting, (8 pages), Brochure No. 41-0895-2, Aug. 15, 1995.

[73] Assignee: **Minnesota Mining and Manufacturing Company**, Saint Paul, Minn.

[\*\*] Term: **14 Years**

[21] Appl. No.: **29/079,341**

[22] Filed: **Nov. 12, 1997**

[51] **LOC (6) Cl.** ..... **26-05**

[52] **U.S. Cl.** ..... **D26/65**

[58] **Field of Search** ..... D26/60-66; 362/410-414, 362/269, 275, 287, 418, 419, 427, 401

## [56] References Cited

*Primary Examiner*—Susan J. Lucas  
*Attorney, Agent, or Firm*—Michaele A. Hakamaki

### U.S. PATENT DOCUMENTS

## [57] CLAIM

D. 268,529	4/1983	Lebowitz	.....	D26/65
D. 324,274	2/1992	Schwamkrug et al.	.....	D26/66
D. 382,362	8/1997	Huang	.....	D26/65
D. 385,646	10/1997	Chan	.....	D26/61 X
D. 392,068	3/1998	Newhouse	.....	D26/61 X
2,151,877	3/1939	Walker	.....	248/123
2,233,300	2/1941	Trythall	.....	248/123
3,188,460	6/1965	Thorsen et al.	.....	240/52
3,239,184	3/1966	Kirkeby	.....	248/286
3,604,923	9/1971	Moffatt	.....	240/52 R
4,165,530	8/1979	Sowden	.....	362/401
4,314,319	2/1982	Terry et al.	.....	362/287
4,494,177	1/1985	Matthews	.....	362/402
4,703,909	11/1987	Dayton et al.	.....	248/280.1
5,065,297	11/1991	Santambrogio	.....	362/413
5,092,552	3/1992	Dayton et al.	.....	248/280.1
5,141,325	8/1992	Huang	.....	362/285

The ornamental design for a task light, as shown.

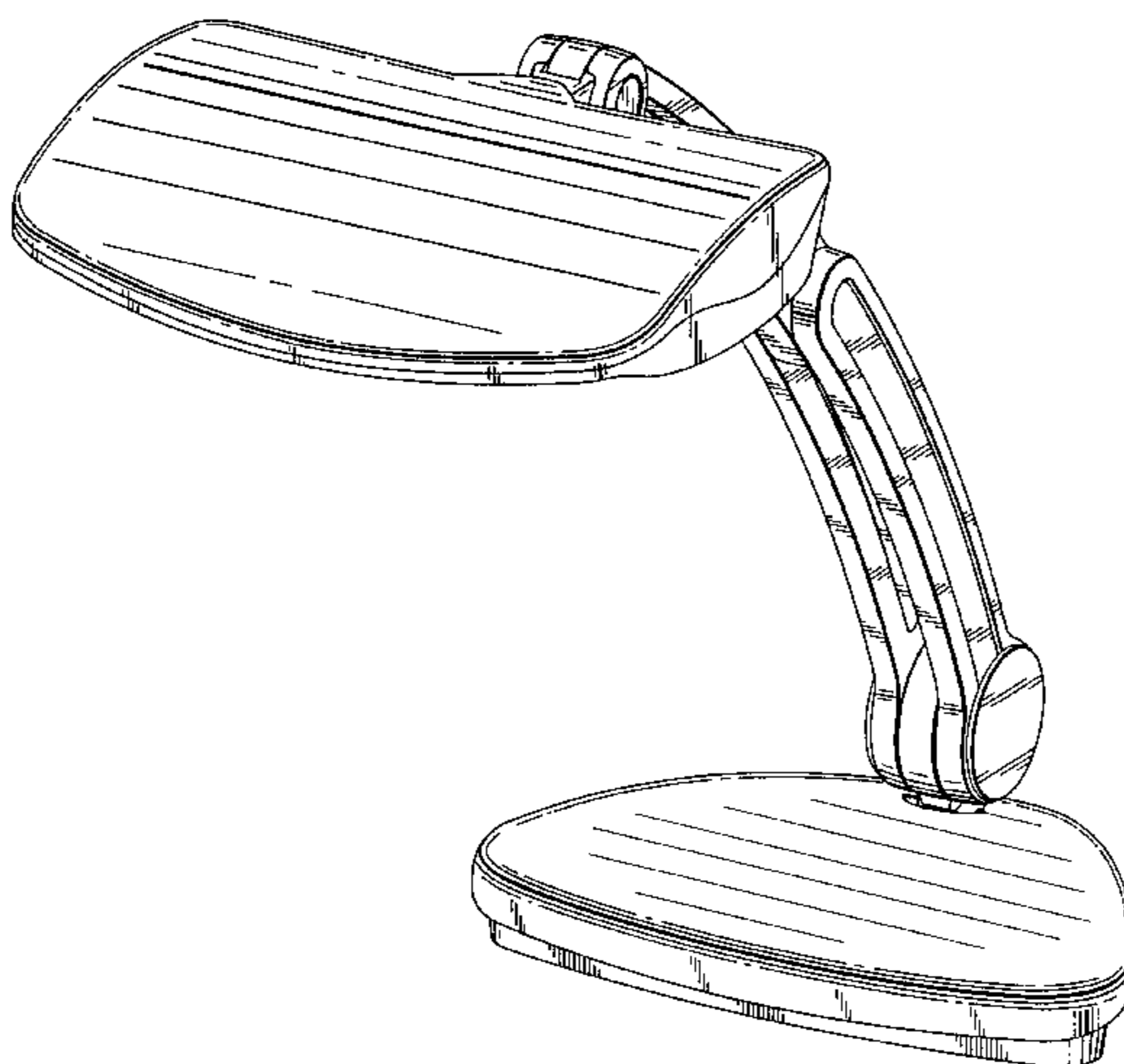
## DESCRIPTION

### FOREIGN PATENT DOCUMENTS

452486	11/1948	Canada .
1099686	4/1981	Canada .

FIG. 1 is an isometric view of a task lamp according to the present invention;  
FIG. 2 is a front elevational view of the task lamp illustrated in FIG. 1;  
FIG. 3 is a rear elevational view of the task lamp illustrated in FIG. 1;  
FIG. 4 is left side elevational view of the task lamp illustrated in FIG. 1;  
FIG. 5 is a right side elevational view of the task lamp illustrated in FIG. 1;  
FIG. 6 is a top plan view of the task lamp illustrated in FIG. 1;  
FIG. 7 is a bottom plan view of the task lamp illustrated in FIG. 1.

**1 Claim, 7 Drawing Sheets**



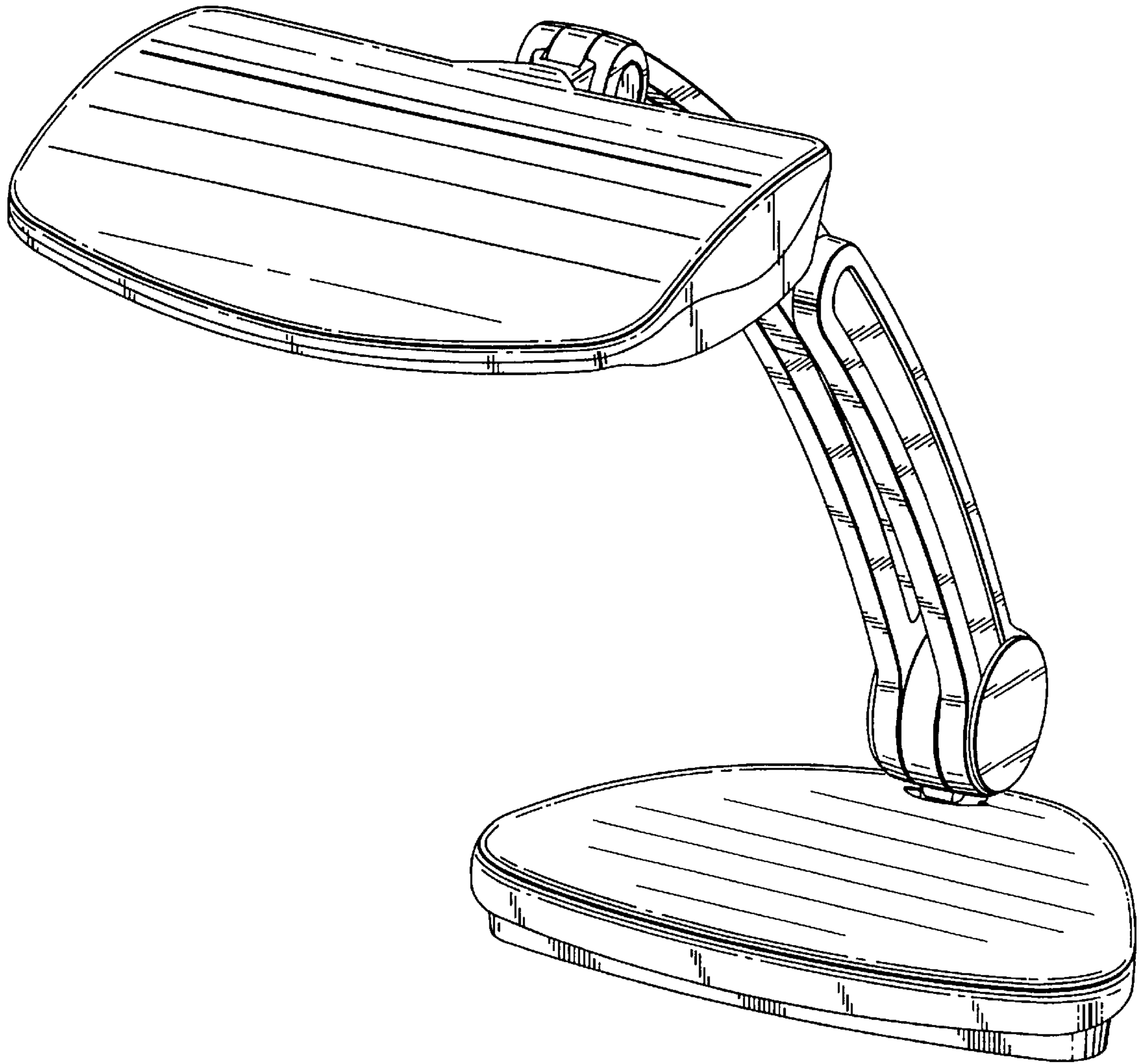


Fig. 1

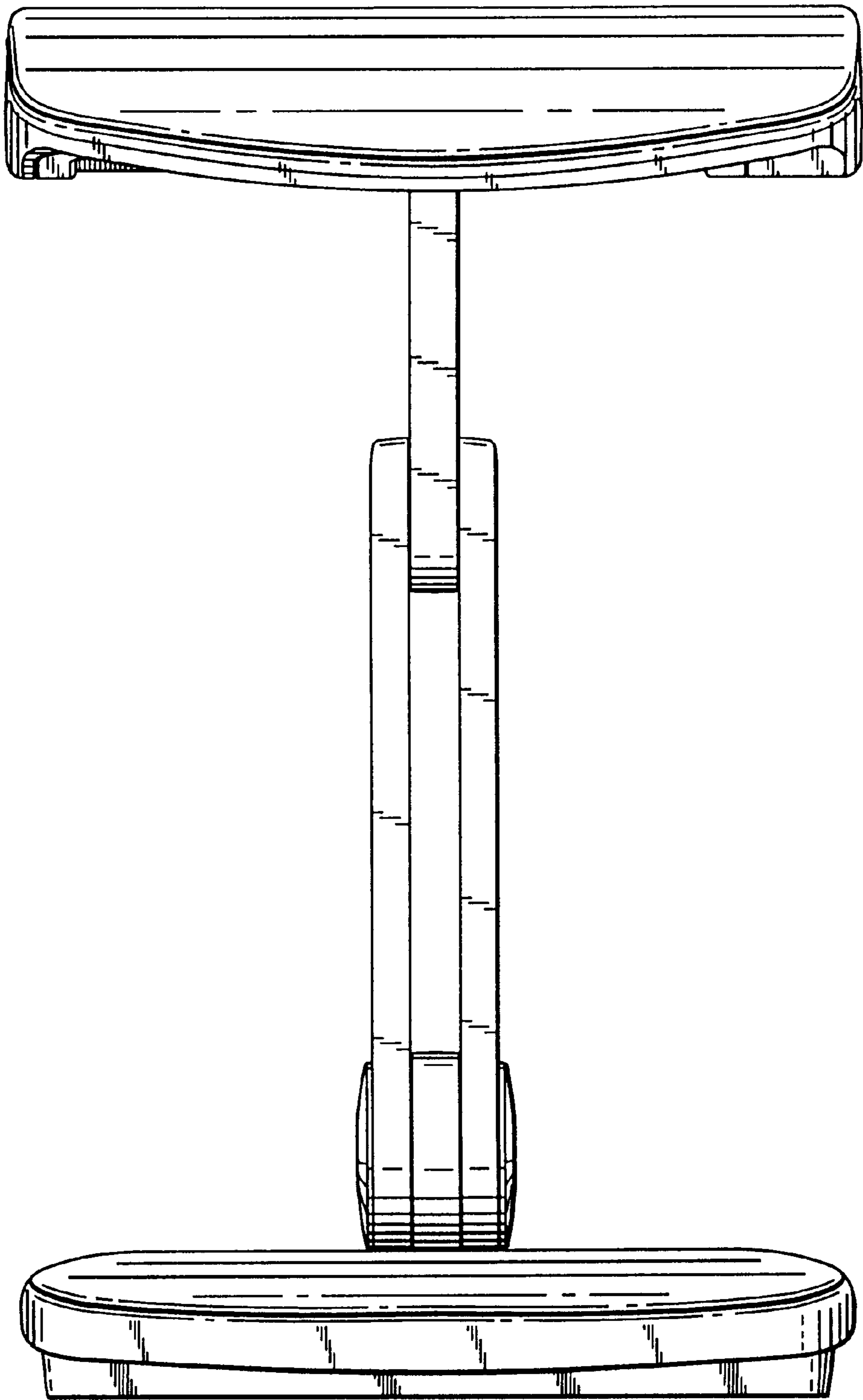
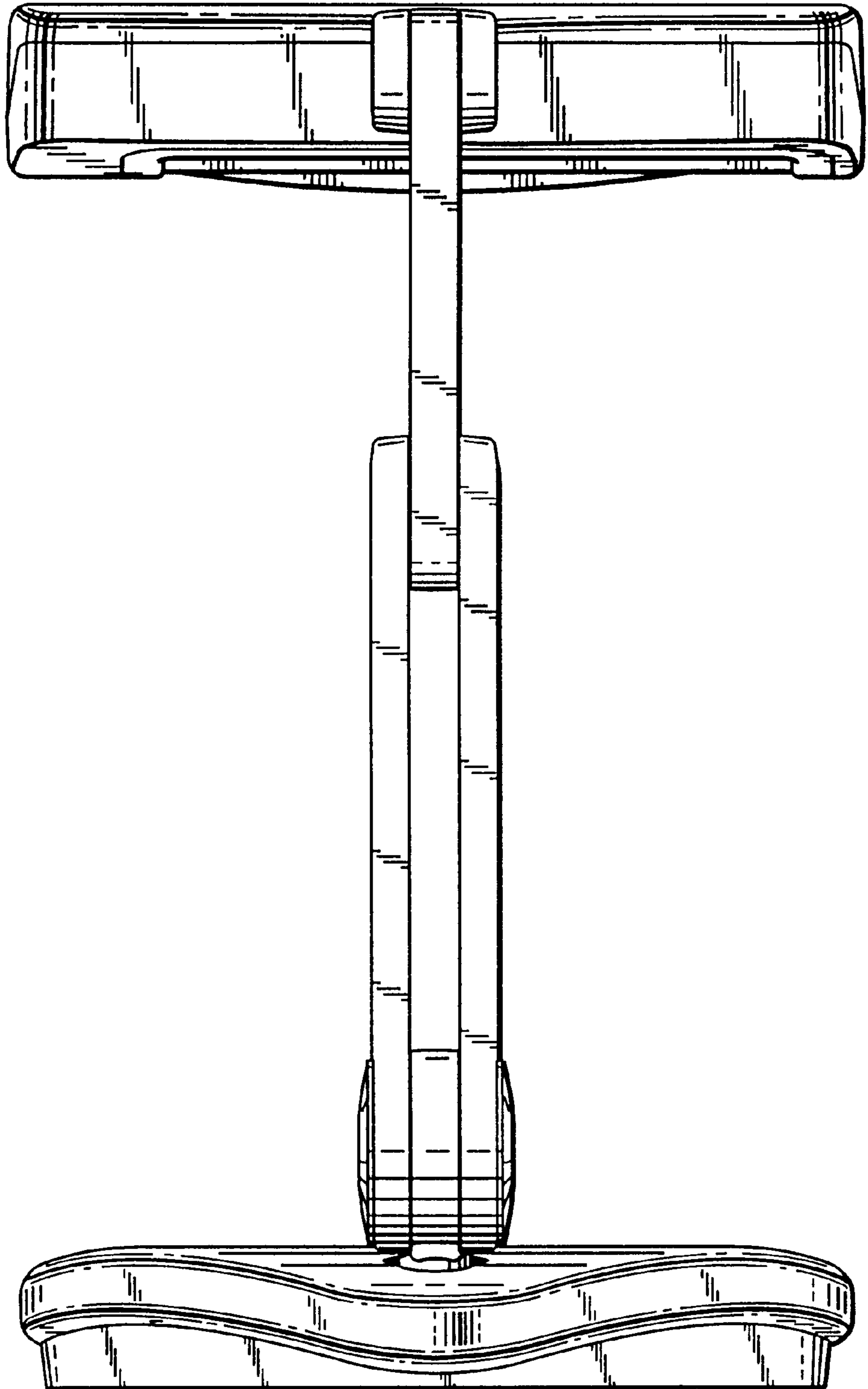


Fig. 2



**Fig. 3**

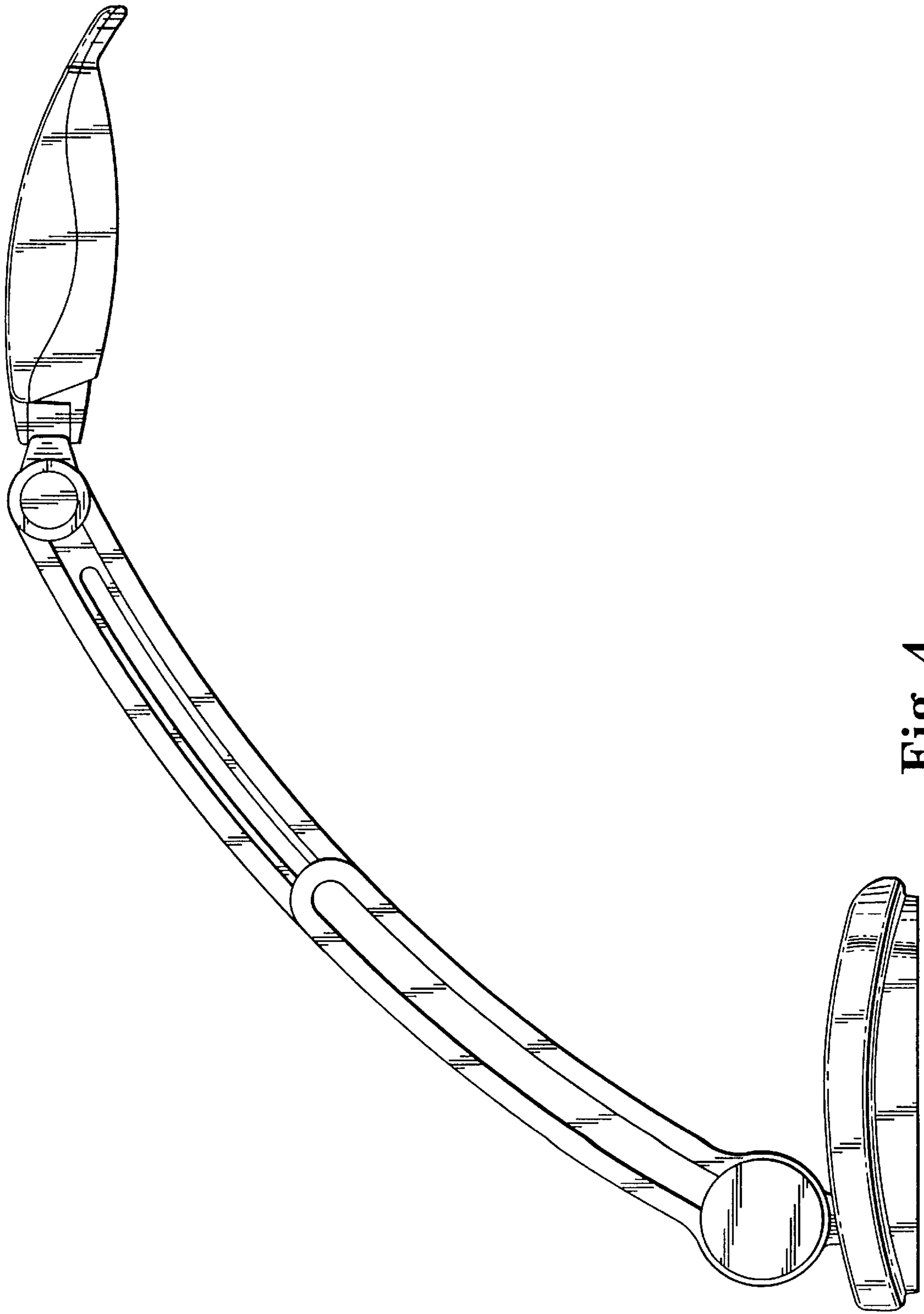


Fig. 4



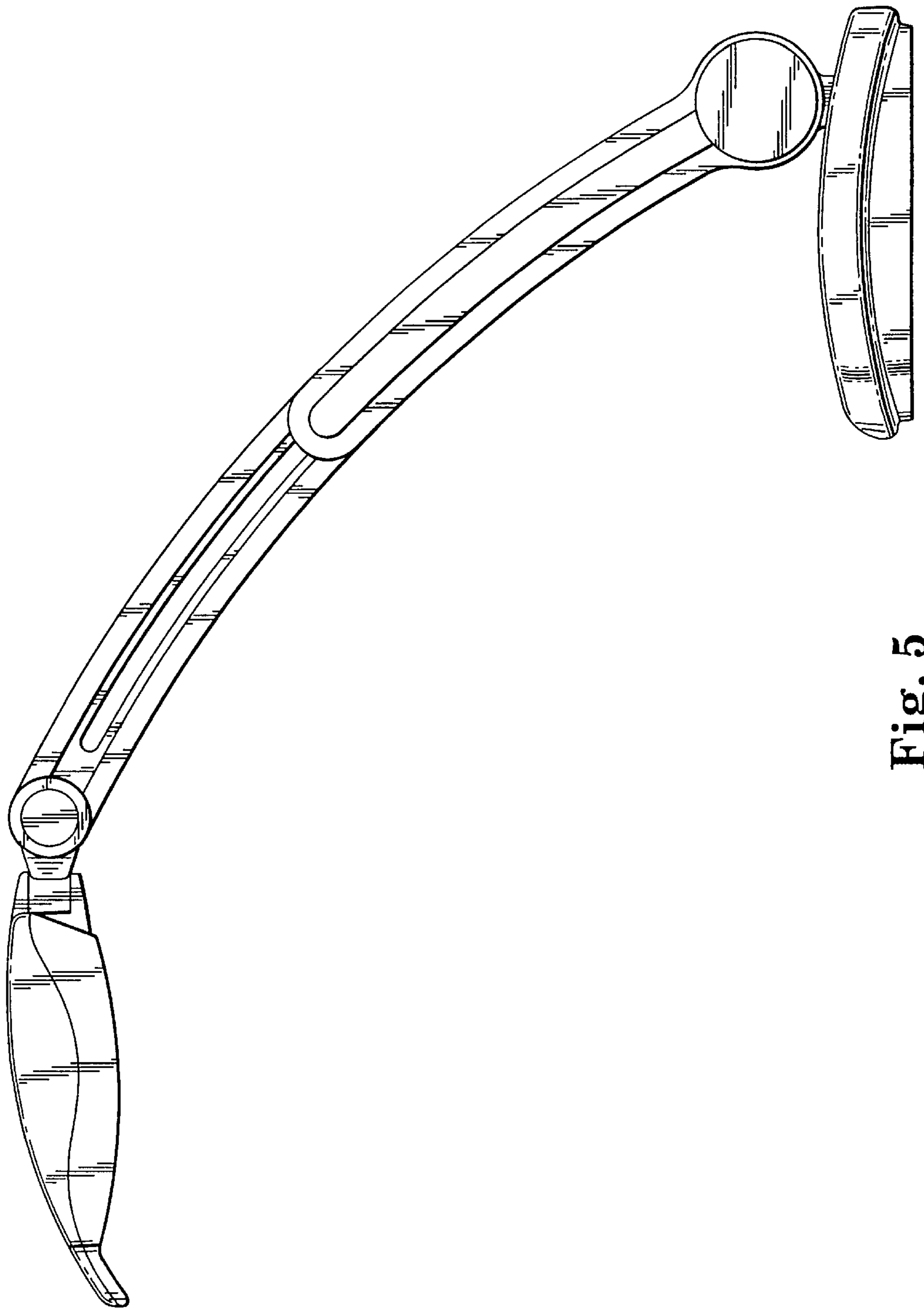


Fig. 5

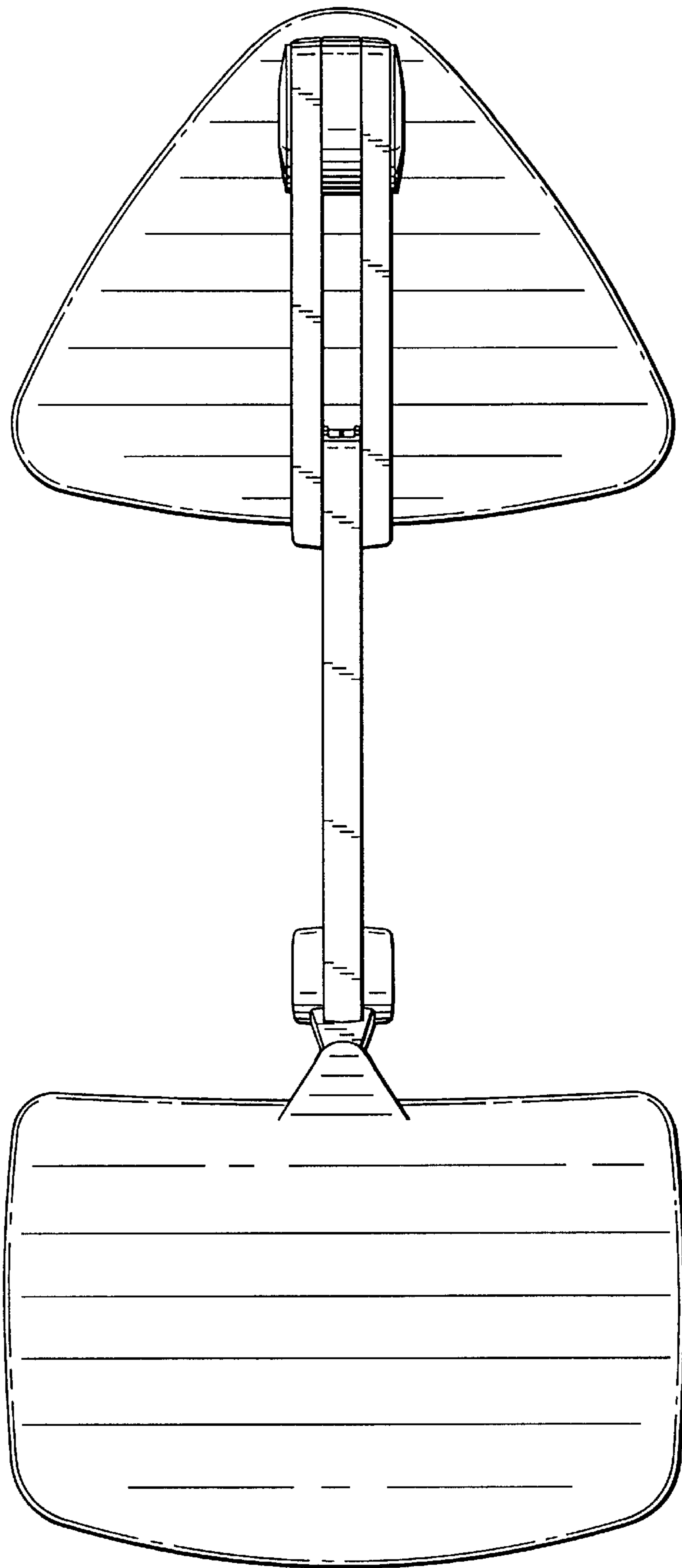


Fig. 6

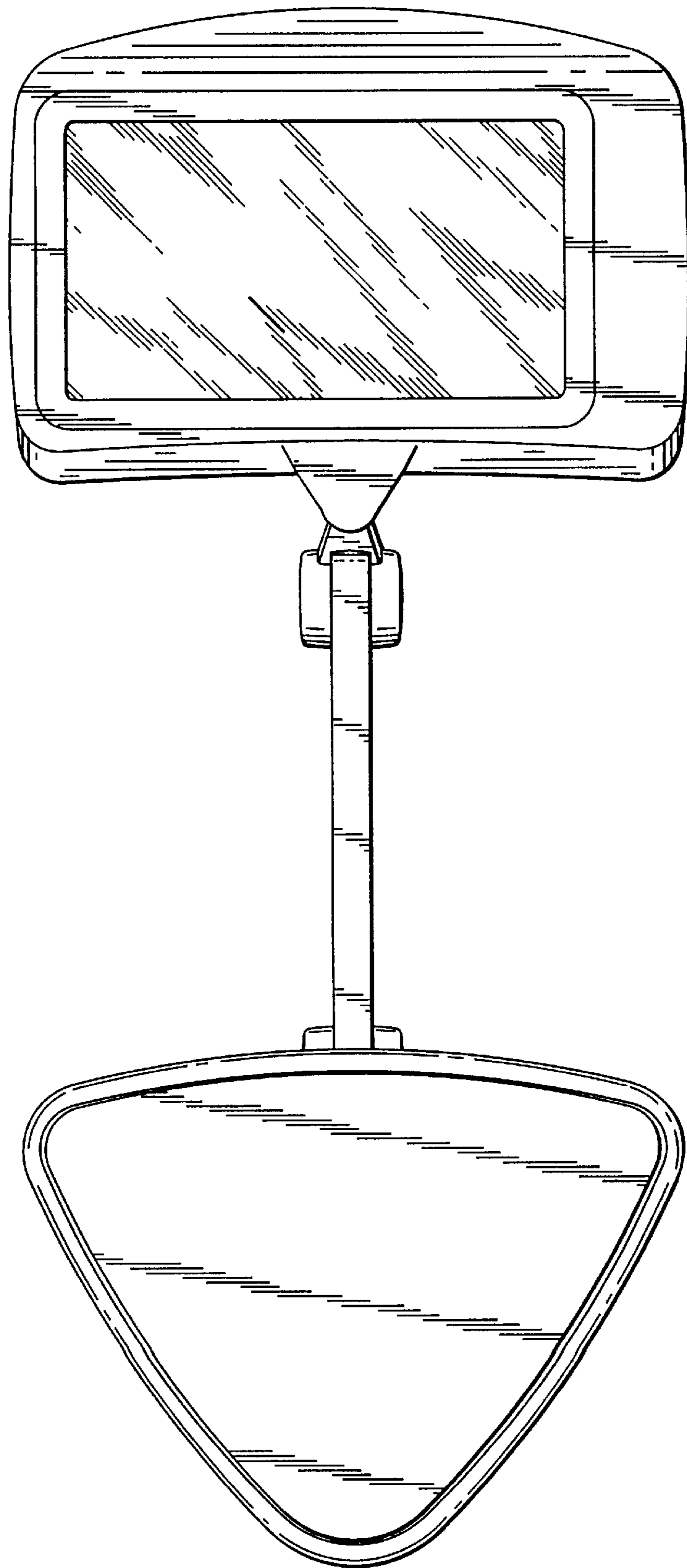


Fig. 7