



US00D414577S

United States Patent [19]
Huang

[11] **Patent Number: Des. 414,577**

[45] **Date of Patent: ** Sep. 28, 1999**

[54] **LAMP WITH TILTING ARM AND SWIVEL HEAD**

[76] Inventor: **Thomas M. Huang**, 5649 N. Peck Rd., Arcadia, Calif. 91006

[**] Term: **14 Years**

[21] Appl. No.: **29/057,345**

[22] Filed: **Jul. 23, 1996**

[51] **LOC (6) Cl.** **26-05**

[52] **U.S. Cl.** **D26/65**

[58] **Field of Search** D26/60-66; 362/410-414, 362/269, 275, 287, 418, 419, 427

[56] **References Cited**

U.S. PATENT DOCUMENTS

D. 135,479 4/1943 Hopkins D26/60
5,016,153 5/1991 Gismondi 362/413

OTHER PUBLICATIONS

Karol Thomas Piano & Desk Lights catalog, p. 1, desk lamp #P10-190-M, 1990.

Primary Examiner—Susan J. Lucas

Attorney, Agent, or Firm—Sheldon & Mak

[57] **CLAIM**

The ornamental design for a lamp with tilting arm and swivel head, as shown and described.

DESCRIPTION

FIG. 1 is a perspective view of the lamp with tilting arm of my invention;

FIG. 2 is a left side view of the lamp of FIG. 1, with the tilt arm tilted to a different position, and with the lamp head swivelled to an approximately horizontal position;

FIG. 3 is a front elevational view of the lamp of FIG. 2;

FIG. 4 is a right side view of the lamp of FIG. 2;

FIG. 5 is a rear elevational view of the lamp of FIG. 2;

FIG. 6 is top view of the lamp of FIG. 2;

FIG. 7 is a bottom view of the lamp of FIG. 2;

FIG. 8 is a perspective view of another embodiment of the lamp of the present invention;

FIG. 9 is a left side view of the lamp of FIG. 8, with the tilt arm titled to a different position, and with the lamp head swivelled to an approximately horizontal position;

FIG. 10 is a front elevational view of the lamp of FIG. 9;

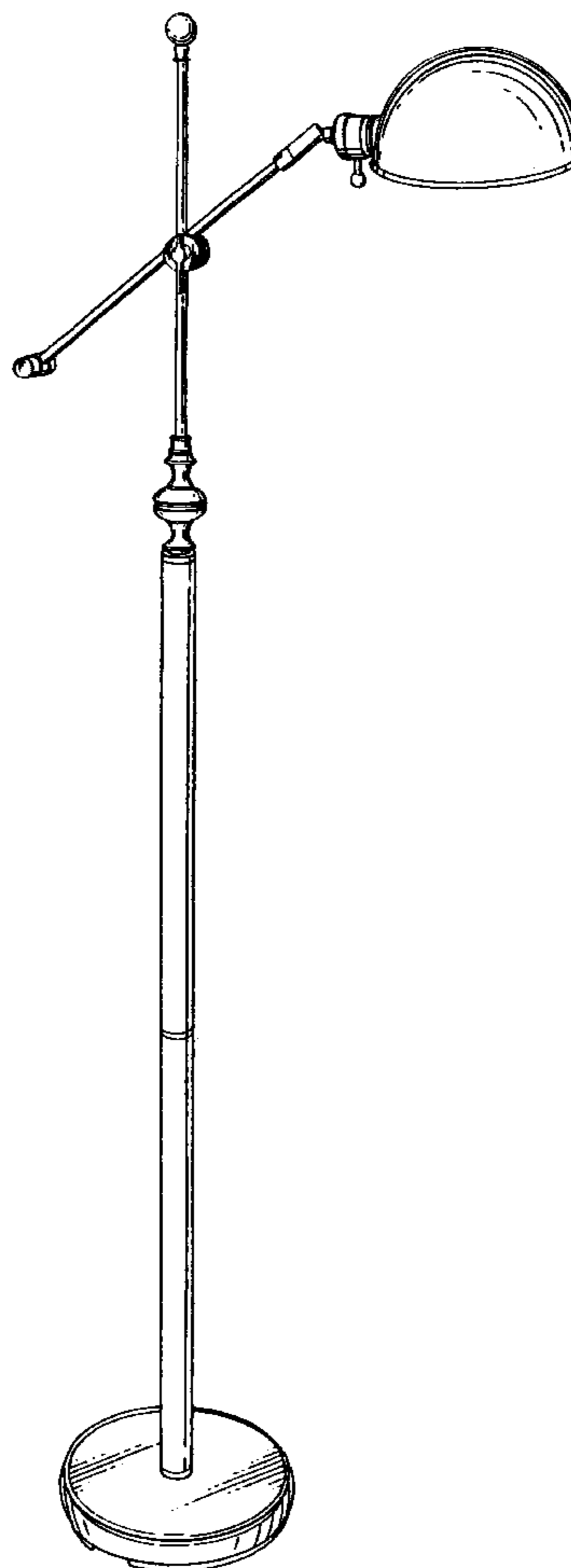
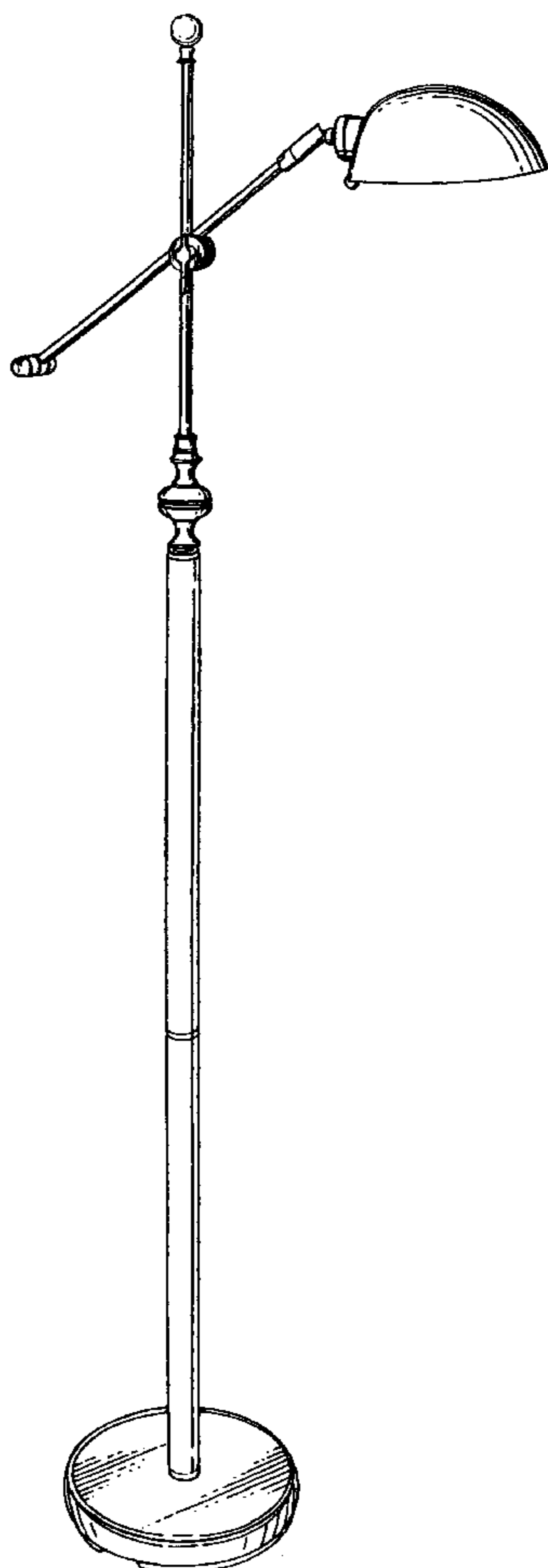
FIG. 11 is a right side view of the lamp of FIG. 9;

FIG. 12 is a rear elevational view of the lamp of FIG. 9;

FIG. 13 is a top view of the lamp of FIG. 9; and,

FIG. 14 is a bottom view of the lamp of FIG. 9.

1 Claim, 8 Drawing Sheets



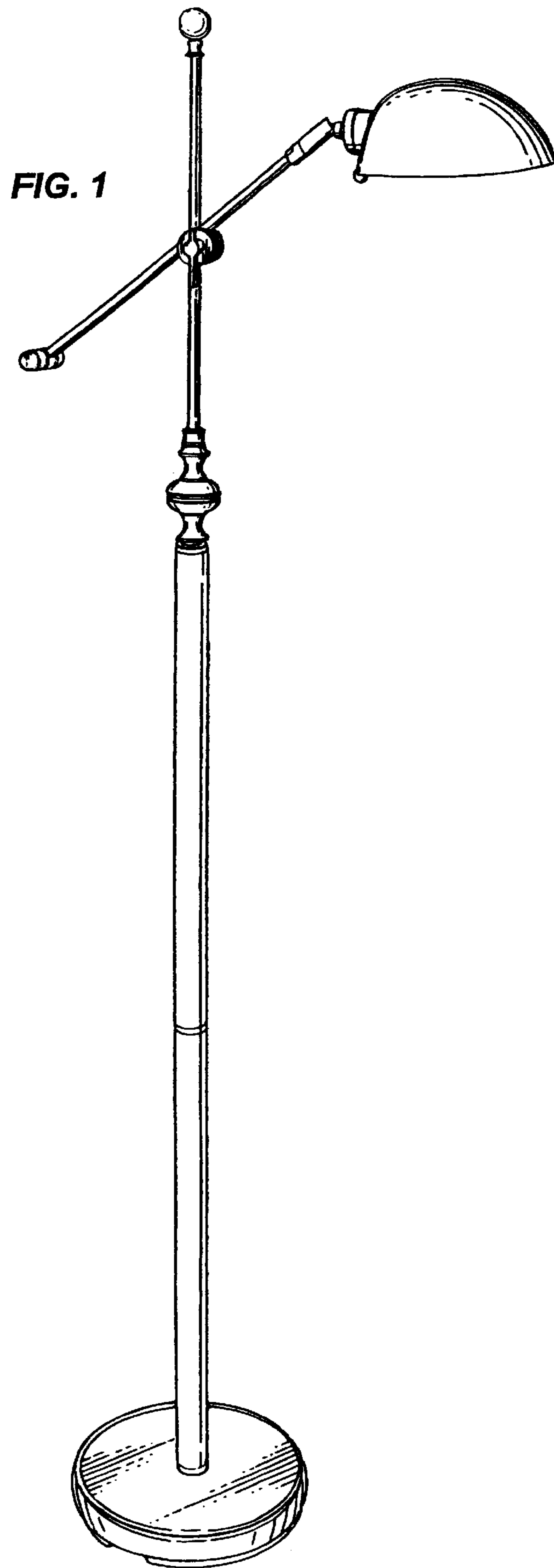


FIG. 2

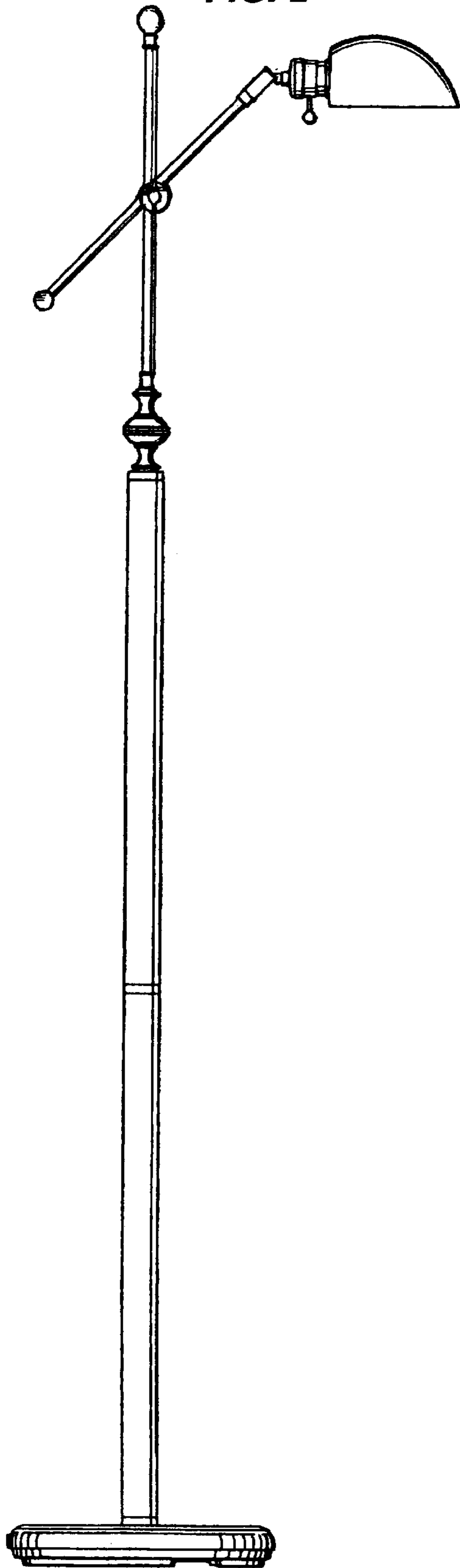


FIG. 3

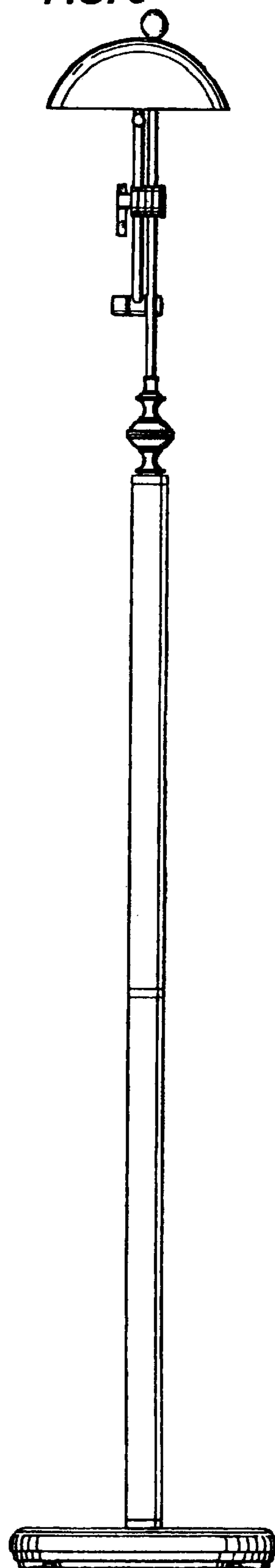


FIG. 4

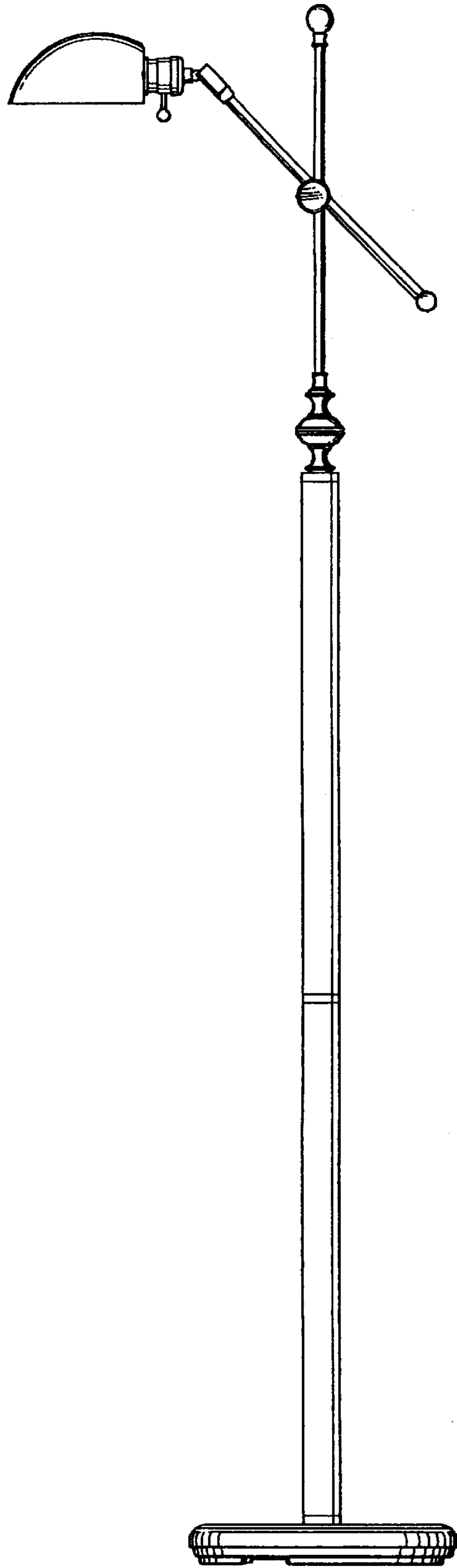
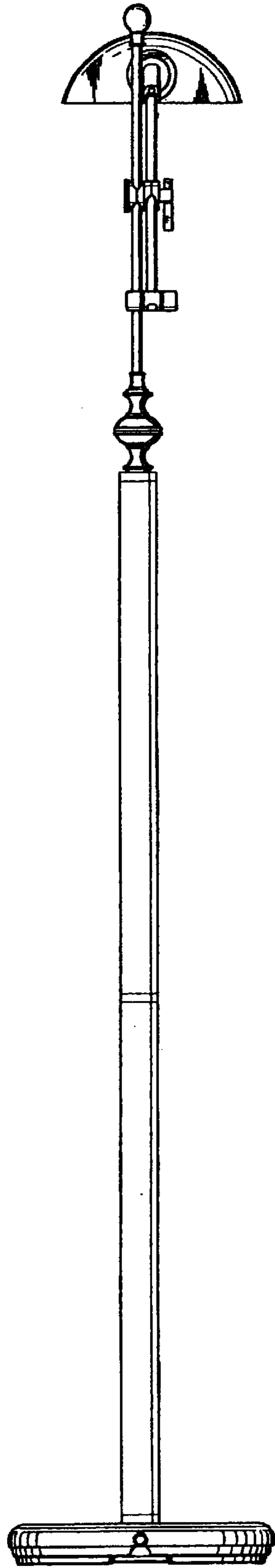


FIG. 5



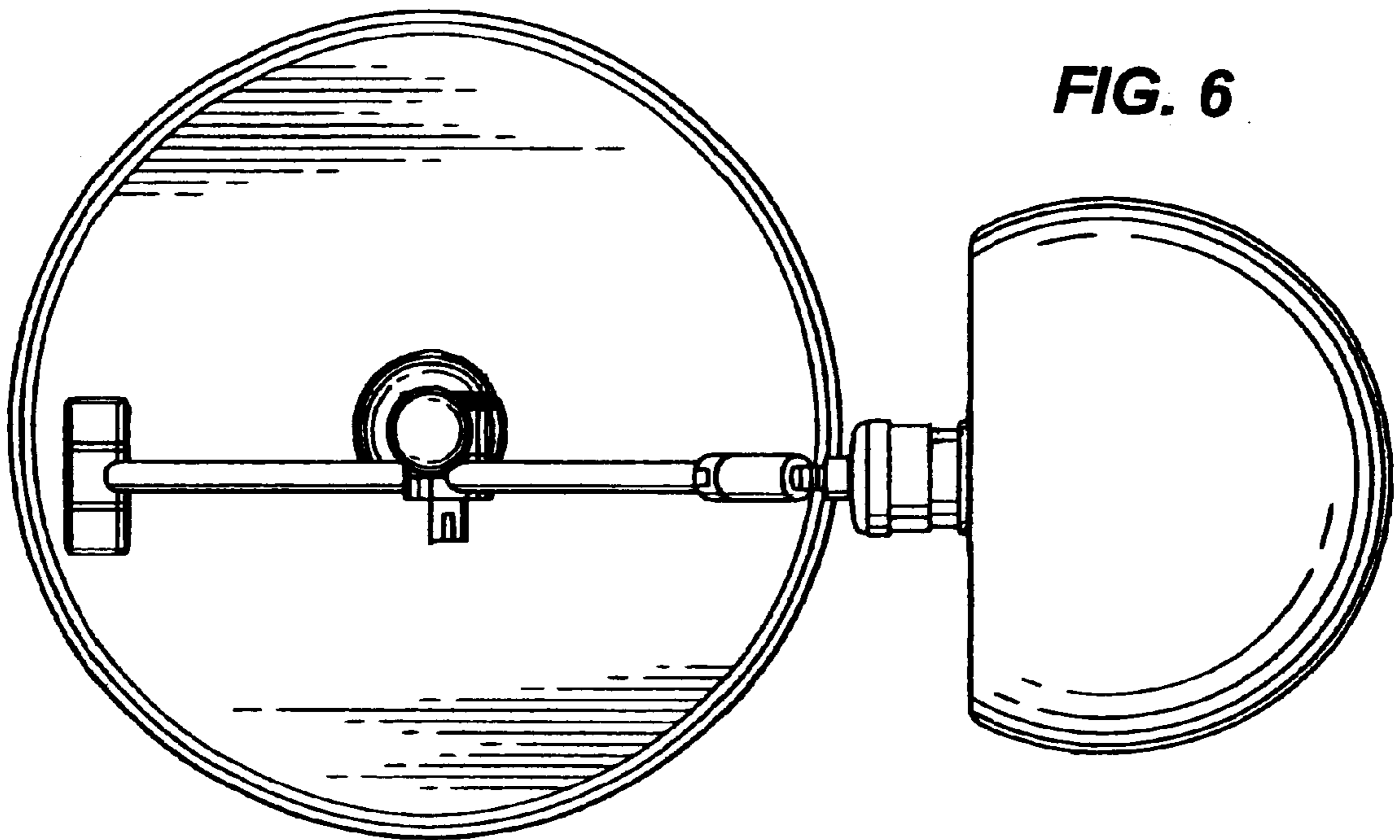


FIG. 6

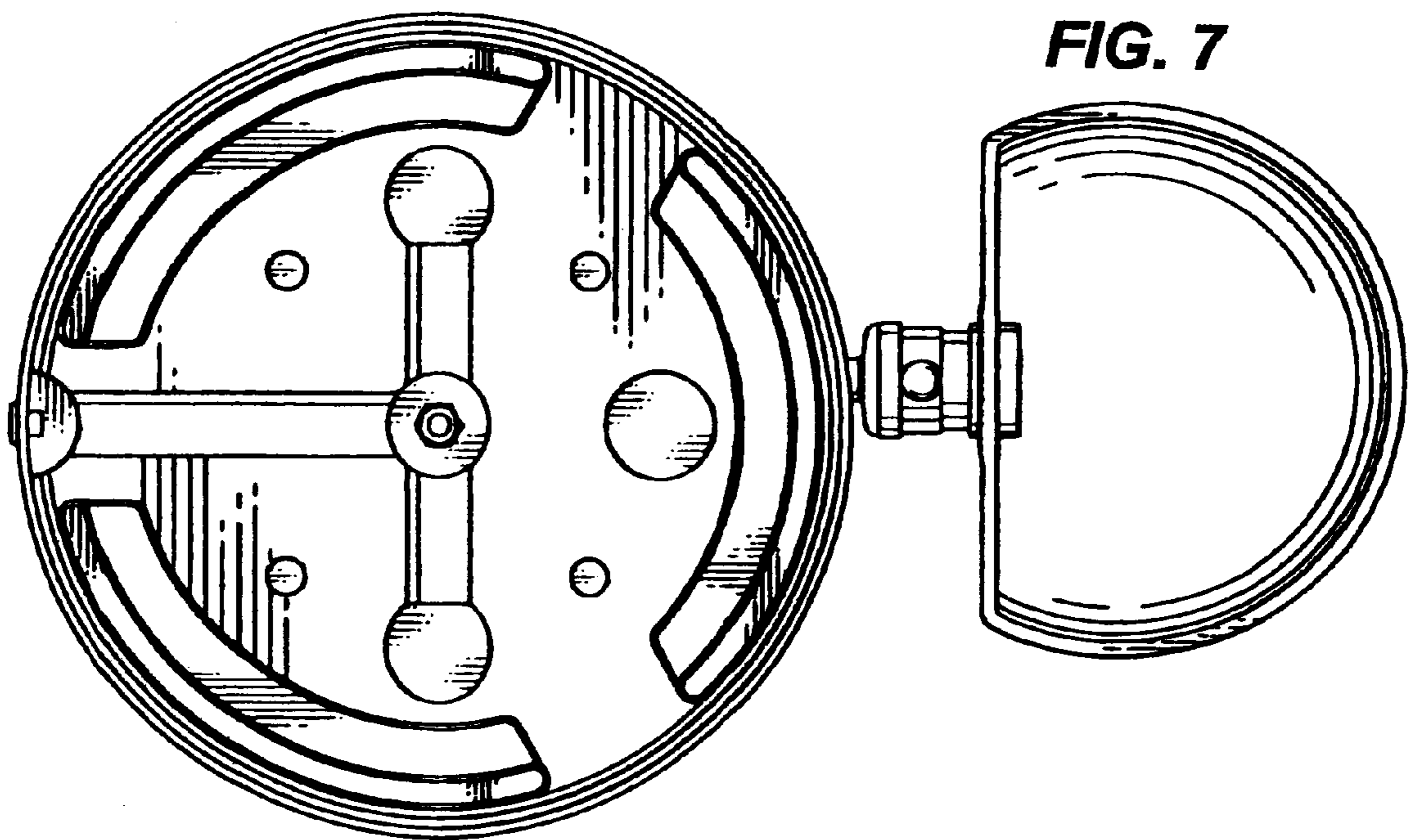


FIG. 7

FIG. 8

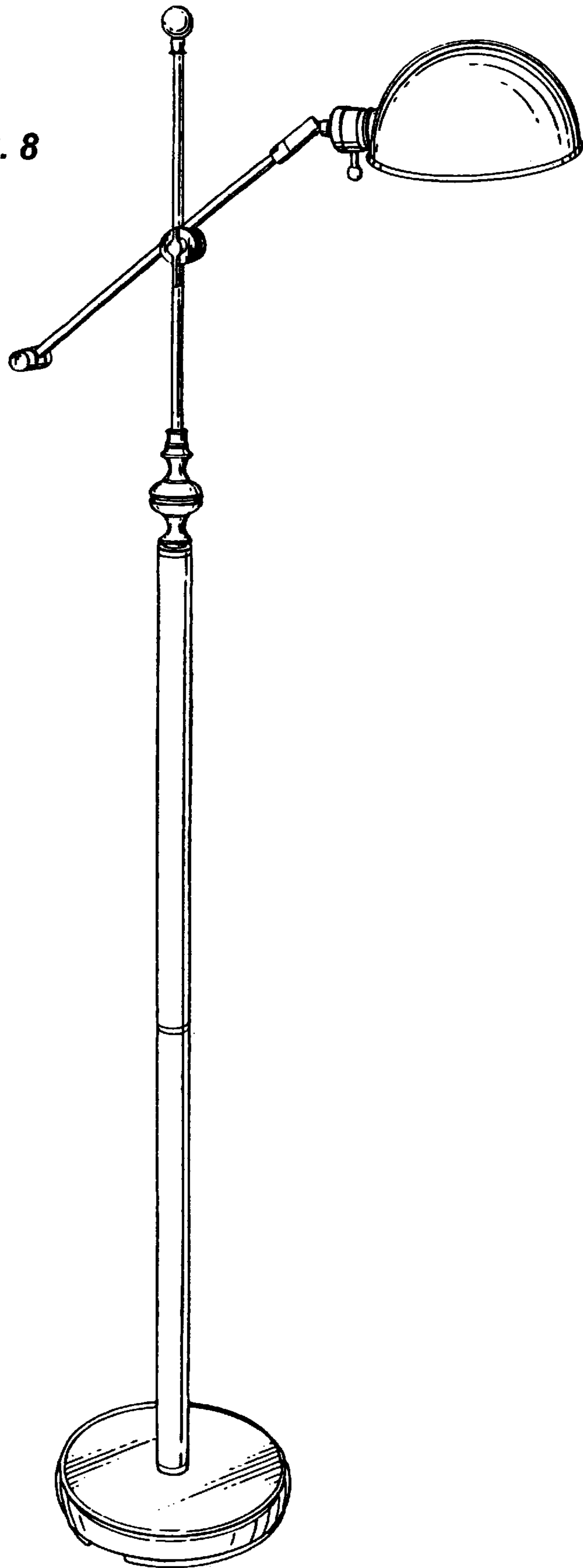


FIG. 9

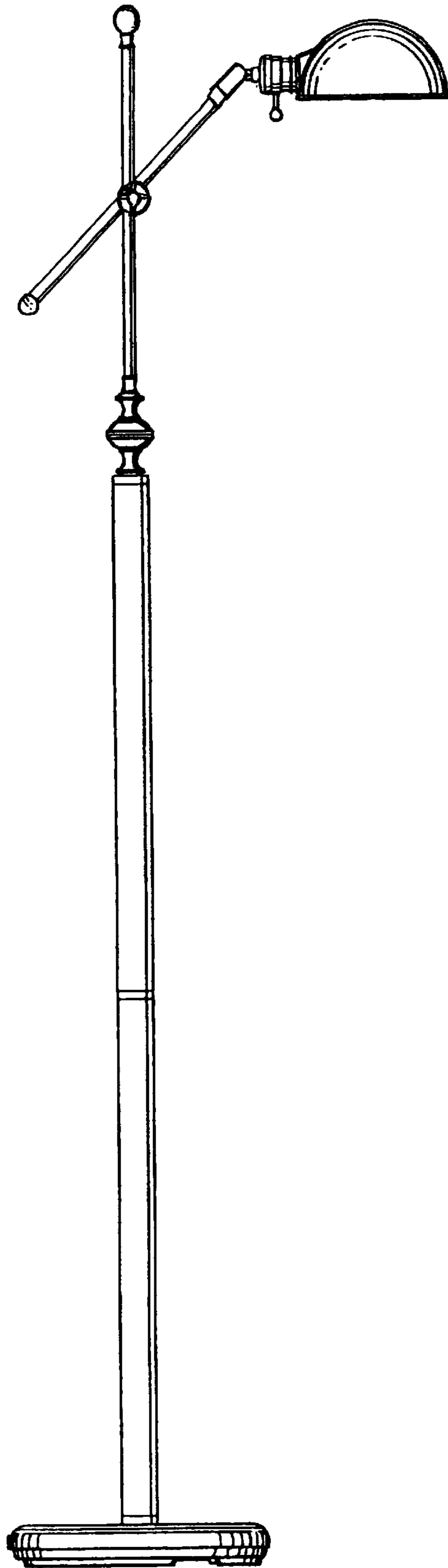


FIG. 10

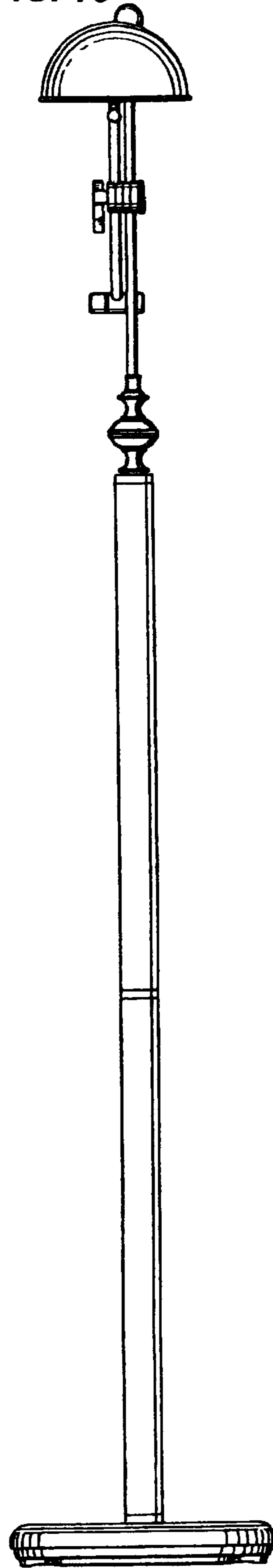


FIG. 11

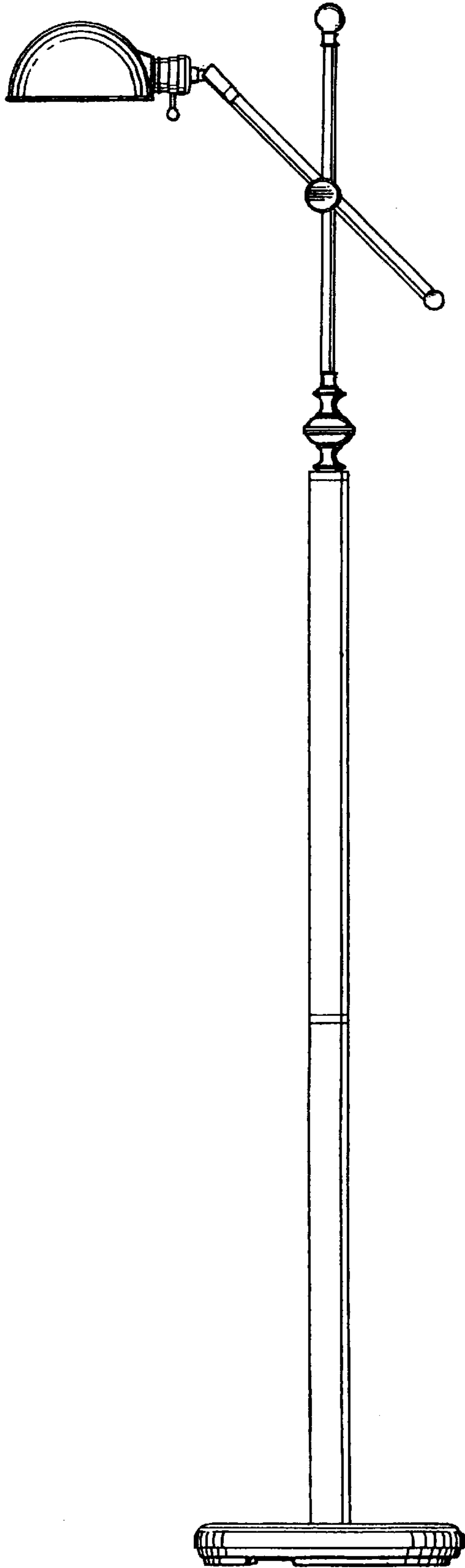
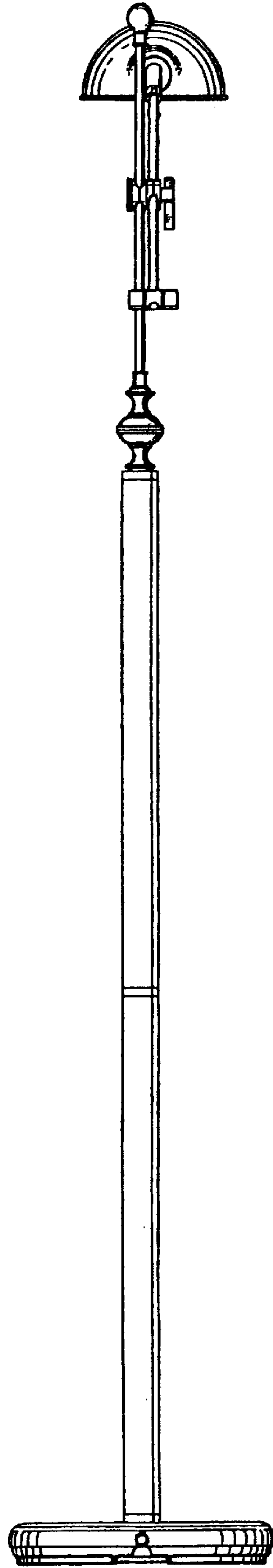


FIG. 12



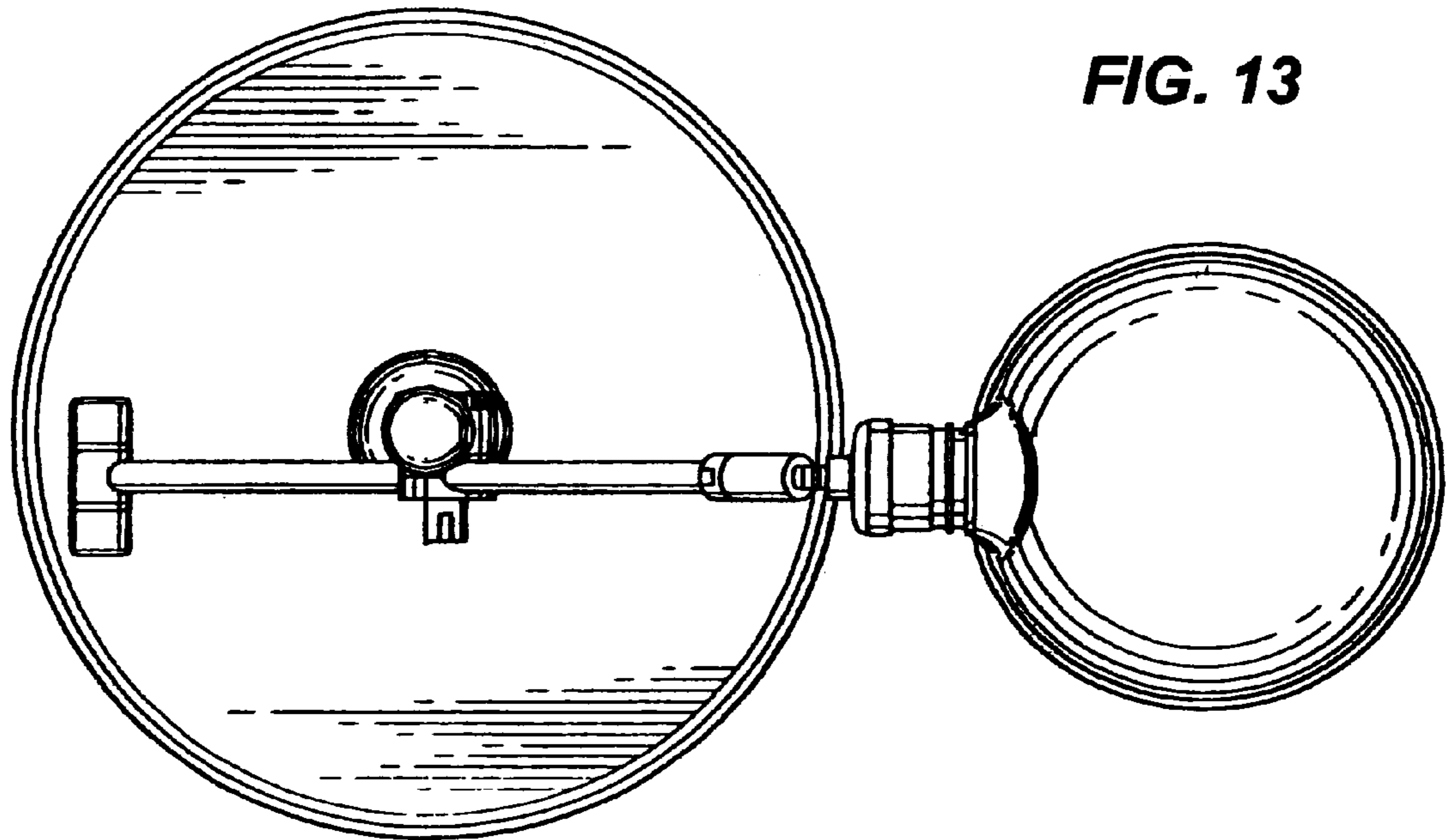


FIG. 13

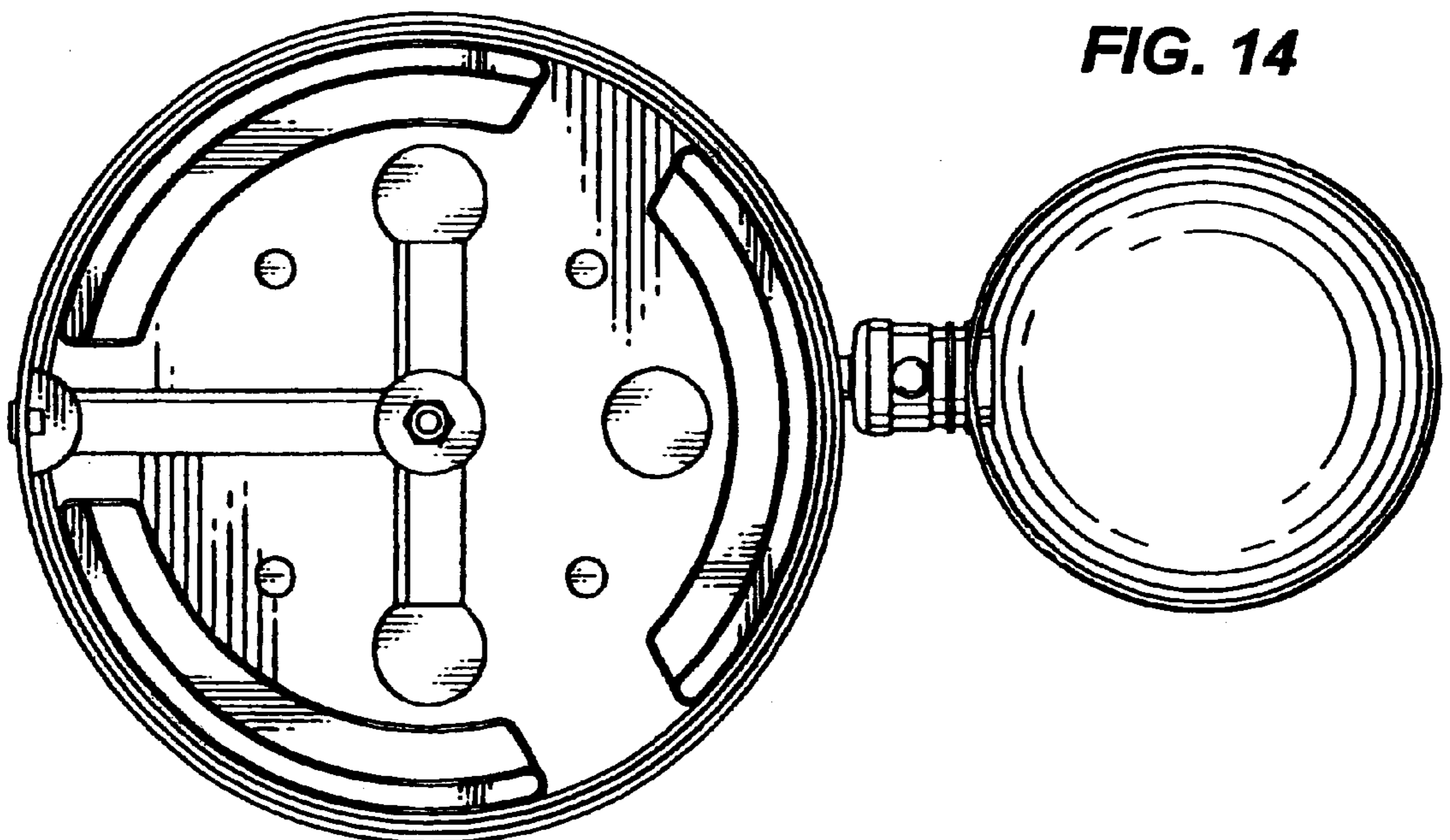


FIG. 14