



US00D414576S

United States Patent [19]

Yuen

[11] Patent Number: Des. 414,576

[45] Date of Patent: ** Sep. 28, 1999

[54] MULTI-FUNCTION FLUORESCENT LANTERN

2038249 4/1994 United Kingdom .
2071317 7/1998 United Kingdom .

[75] Inventor: John Se-Kit Yuen, Kowloon, The Hong Kong Special Administrative Region of the People's Republic of China

OTHER PUBLICATIONS

U.S. application No. 29/089,531.

[73] Assignee: John Manufacturing Limited, Kowloon, The Hong Kong Special Administrative Region of the People's Republic of China

Primary Examiner—Marcus A. Jackson
Attorney, Agent, or Firm—Fay, Sharpe, Beall, Fagan, Minnich & McKee

[**] Term: 14 Years

[57] CLAIM

The ornamental design for a multi function fluorescent lantern, as shown and described.

[21] Appl. No.: 29/089,549

DESCRIPTION

[22] Filed: Jun. 17, 1998

[30] Foreign Application Priority Data

Dec. 23, 1997 [GB] United Kingdom 2071315

[51] LOC (6) Cl. 26-02

[52] U.S. Cl. D26/42

[58] Field of Search D26/37-50; 362/157, 362/158, 181, 183-208

FIG. 1 is a front elevational view of a multi function fluorescent lantern showing my new design;
FIG. 2 is a top plan thereof;
FIG. 3 is a rear elevational view thereof;
FIG. 4 is a bottom plan view thereof;
FIG. 5 is a left side elevational view thereof;
FIG. 6 is a right side elevational view thereof;
FIG. 7 is a rear elevational view showing spotlight in an alternative position thereof;
FIG. 8 is a bottom plan view showing spotlight in an alternative position thereof;
FIG. 9 is a top plan showing spotlight in an alternative position thereof;
FIG. 10 is a left side elevational view showing spotlight in an alternative position thereof;
FIG. 11 is a right side elevational view showing spotlight in an alternative position thereof; and,
FIG. 12 is a sectional view thereof.

[56] References Cited

U.S. PATENT DOCUMENTS

- D. 344,152 2/1994 Yuen D26/42
- D. 348,941 7/1994 Yuen D26/42
- D. 350,210 8/1994 Yuen D26/42
- D. 354,364 1/1995 Yuen D26/42
- D. 363,563 10/1995 Yuen .
- D. 377,839 2/1997 Yuen D26/42

FOREIGN PATENT DOCUMENTS

2074990 of 0000 United Kingdom .

1 Claim, 4 Drawing Sheets

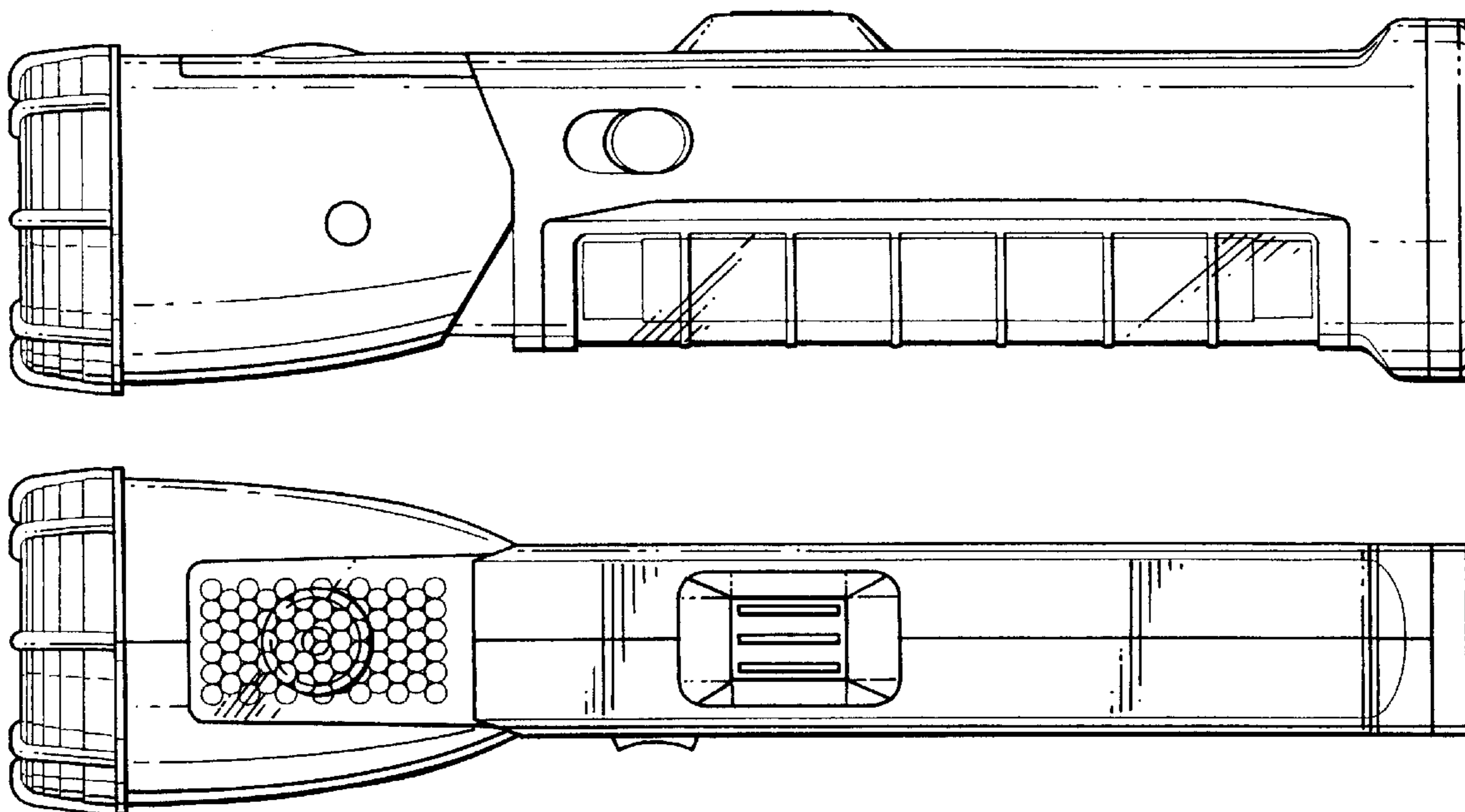


FIG. 1

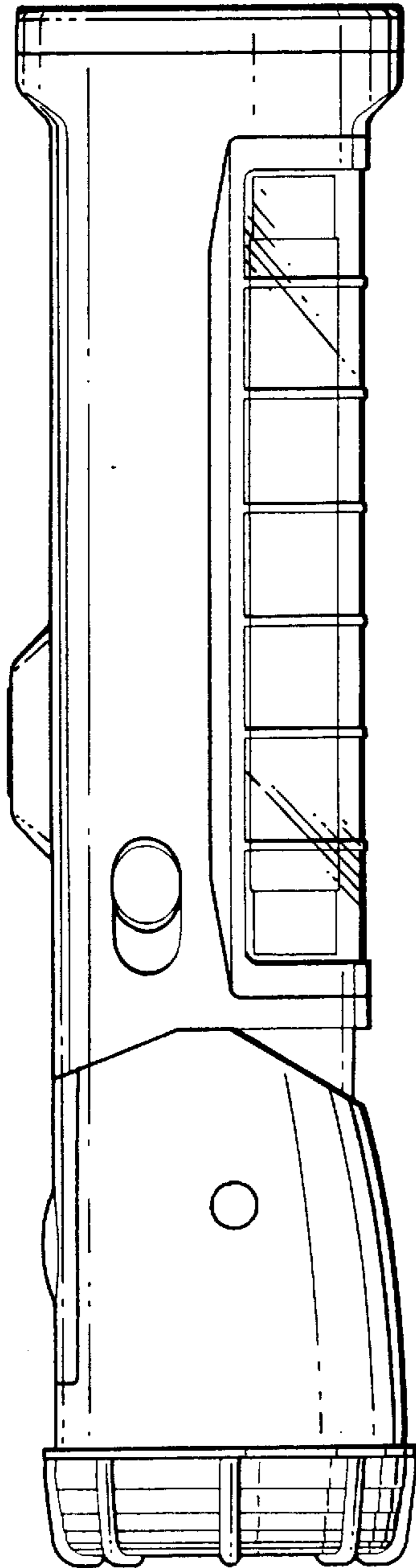


FIG. 2

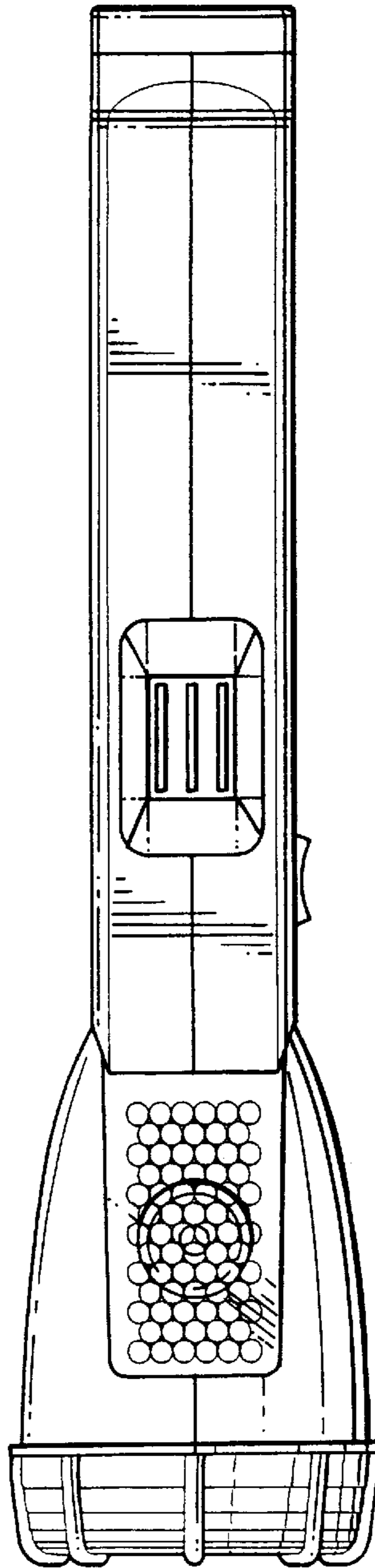
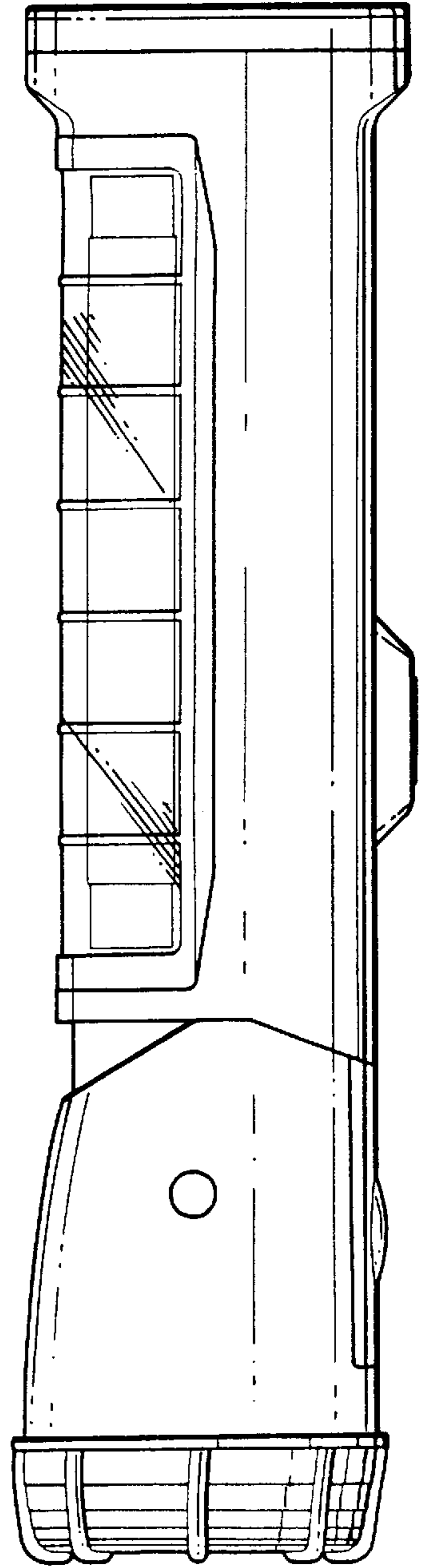


FIG. 3



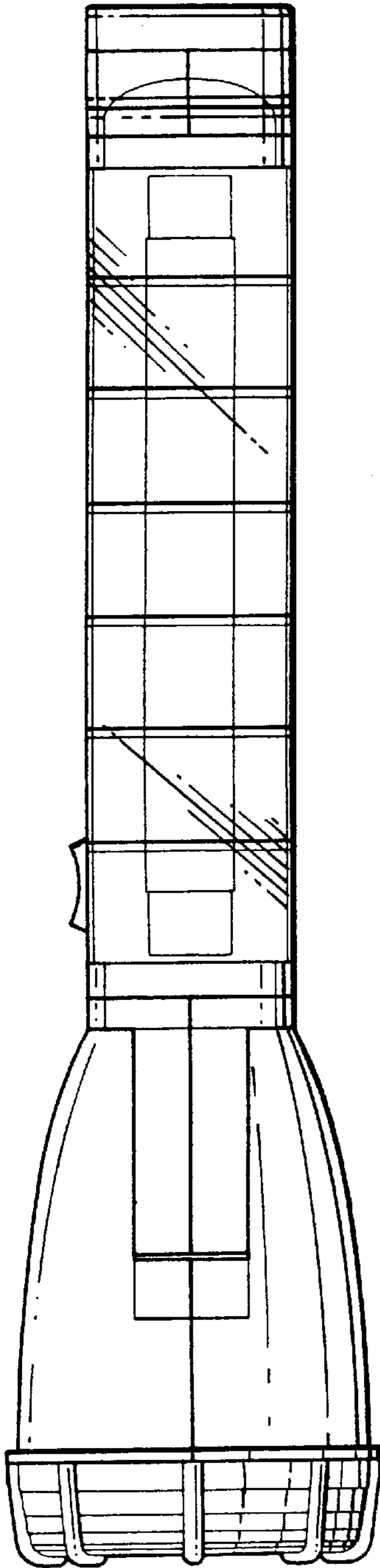


FIG. 4

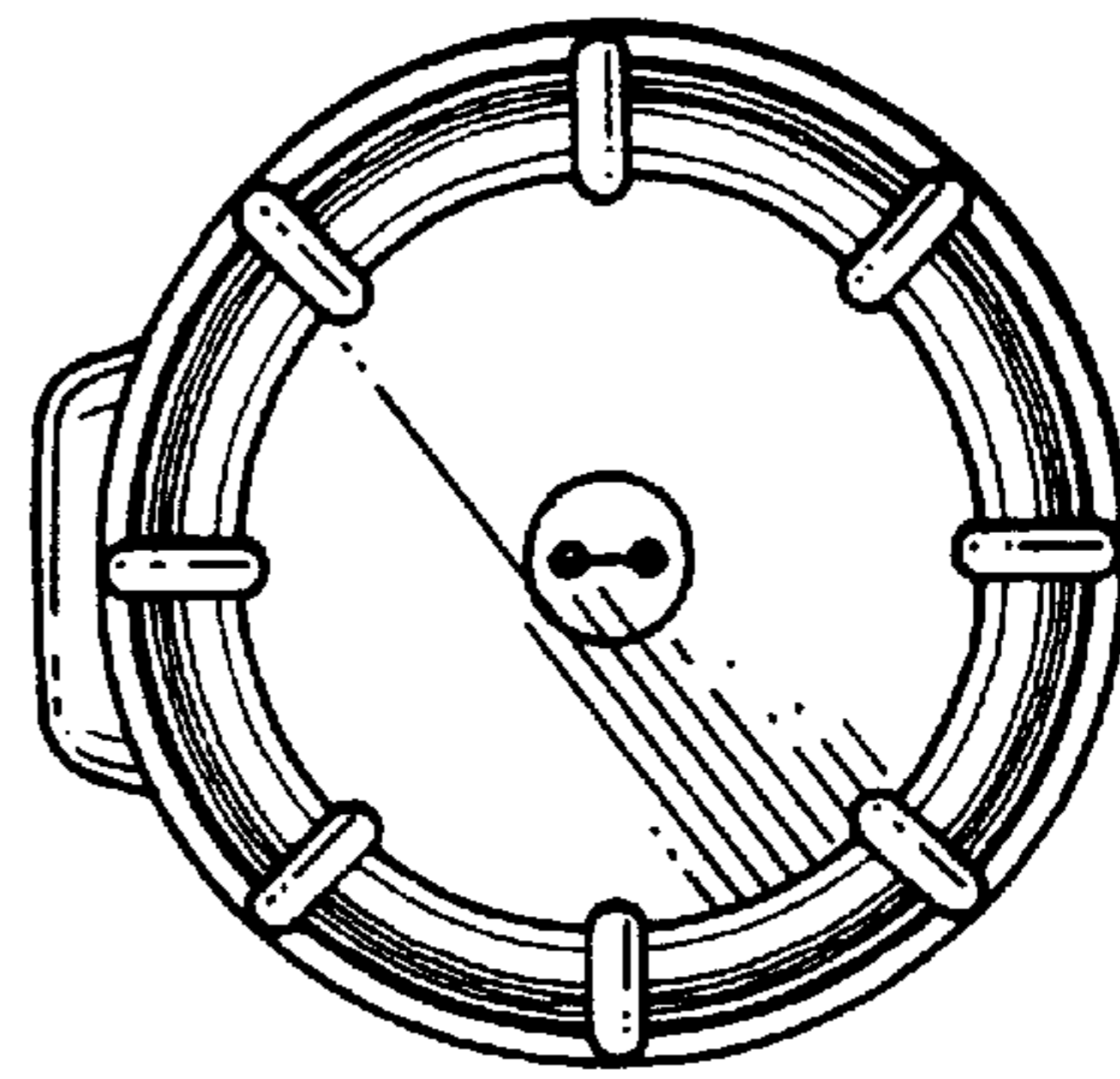


FIG. 5

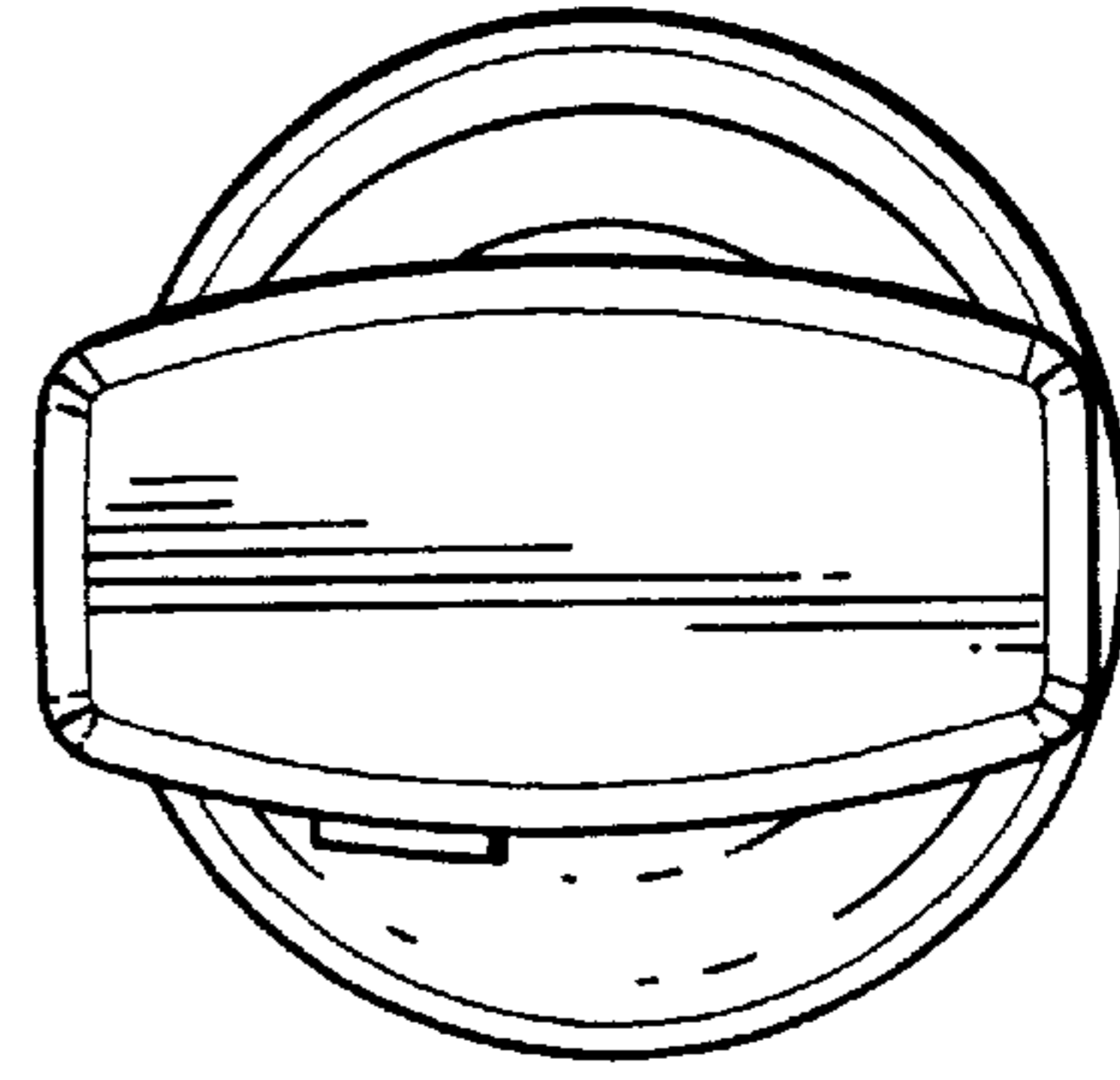


FIG. 6

FIG. 7

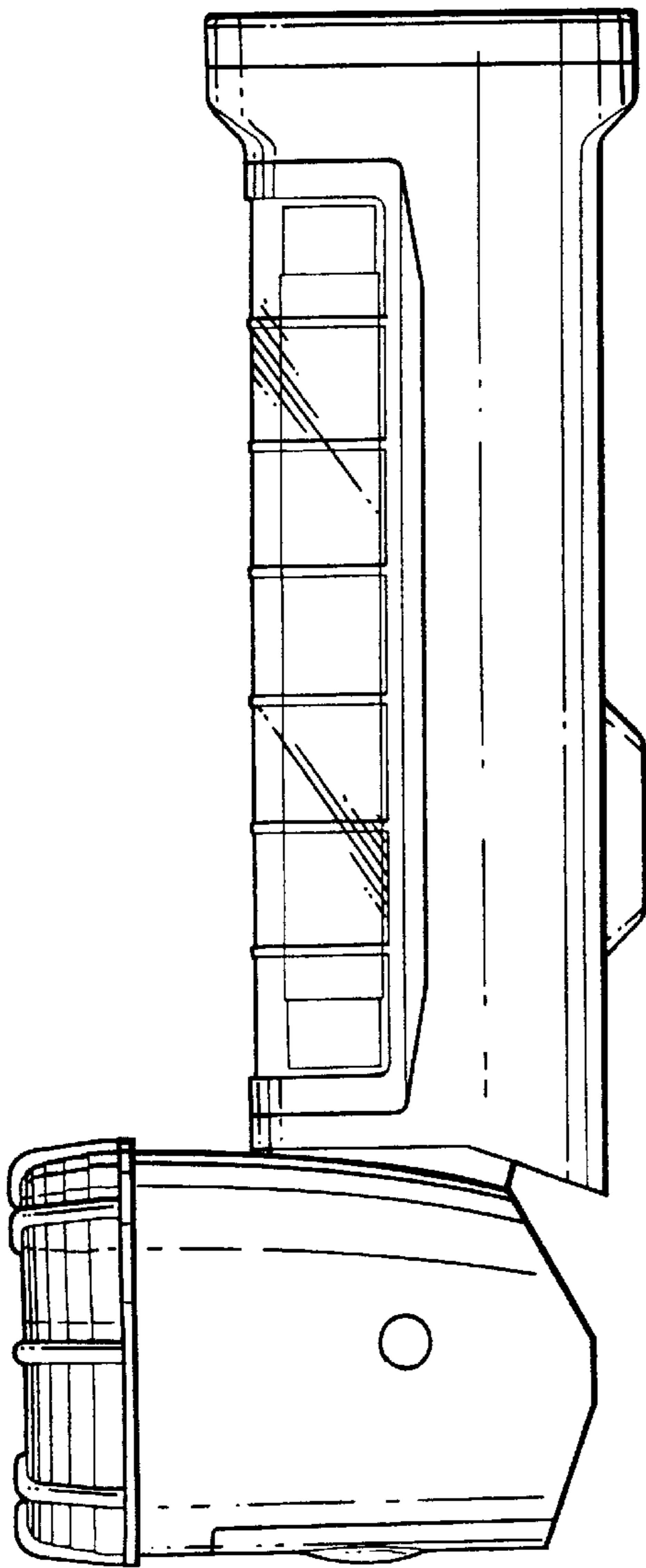


FIG. 8

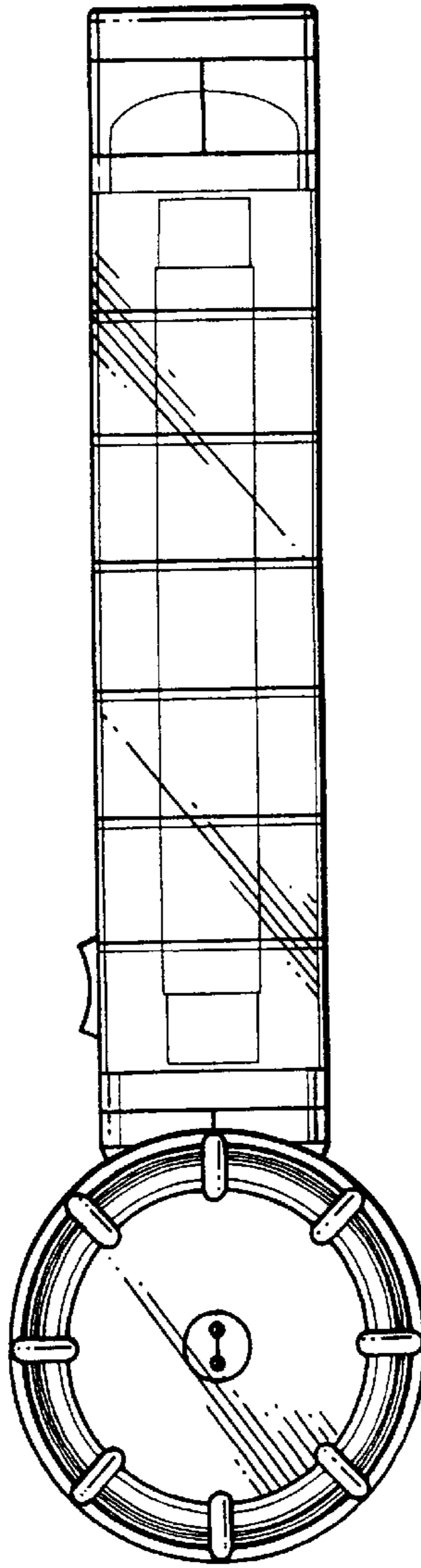
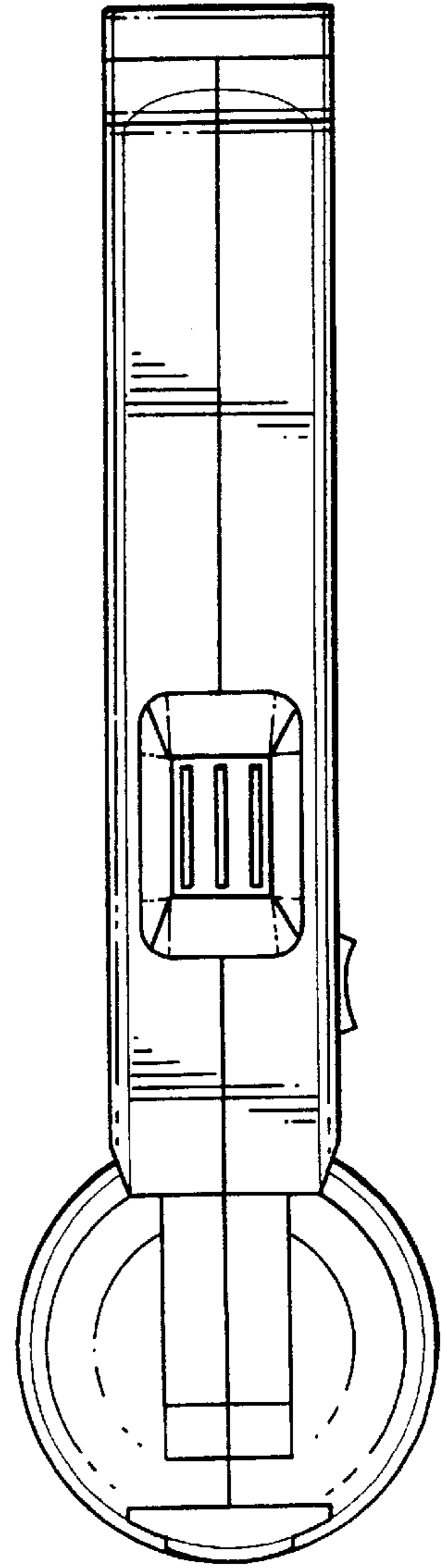


FIG. 9



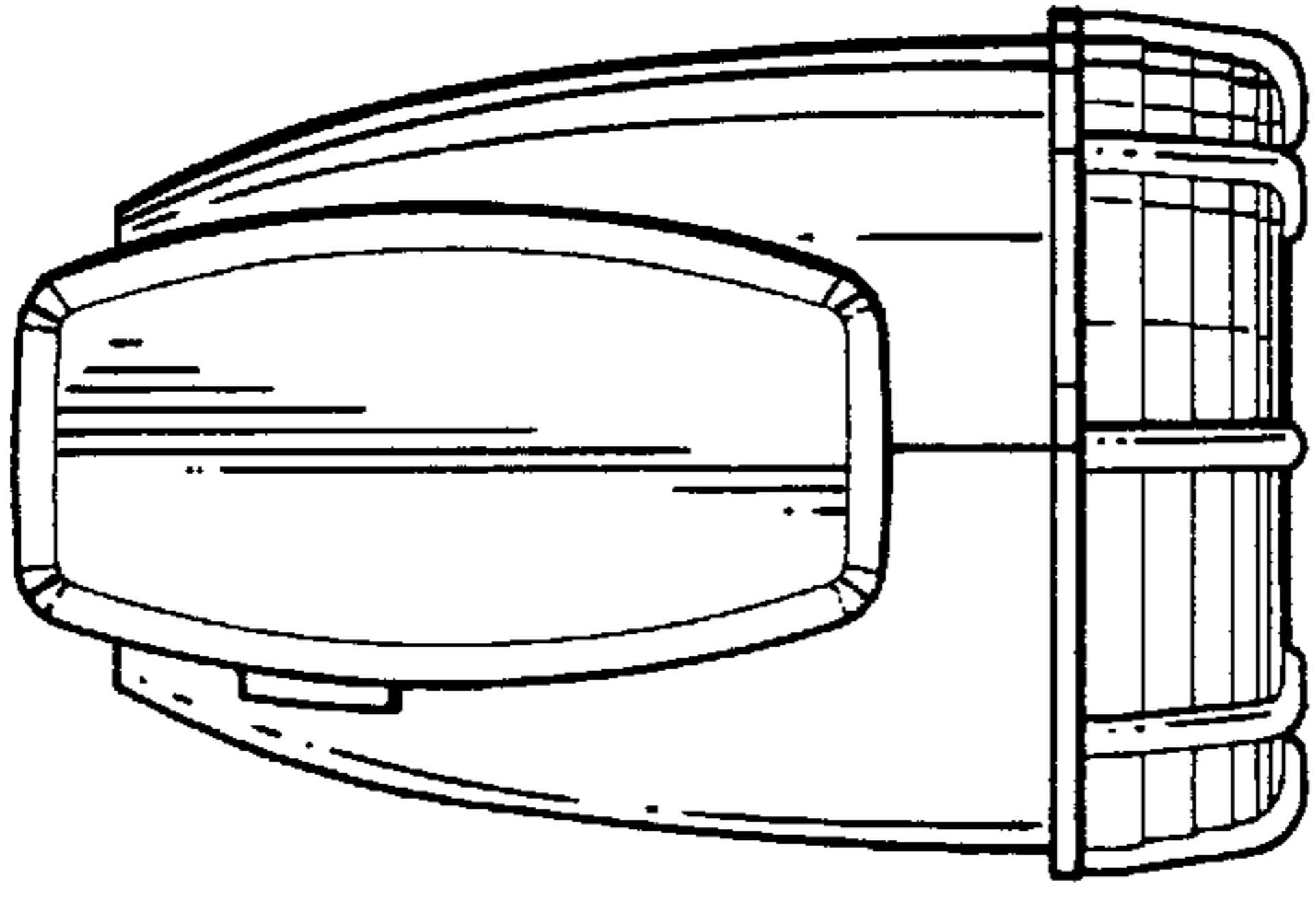


FIG.11

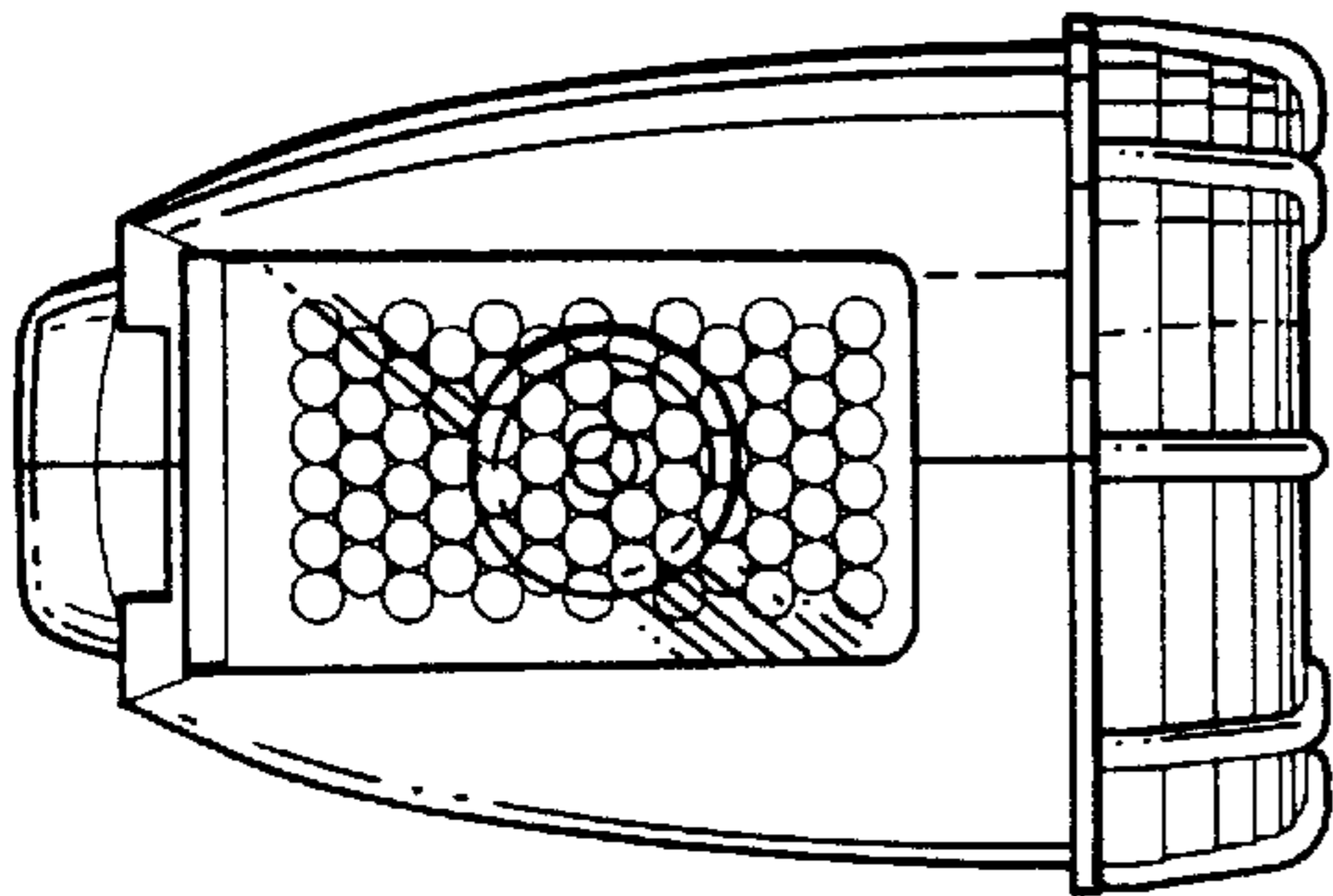


FIG.10

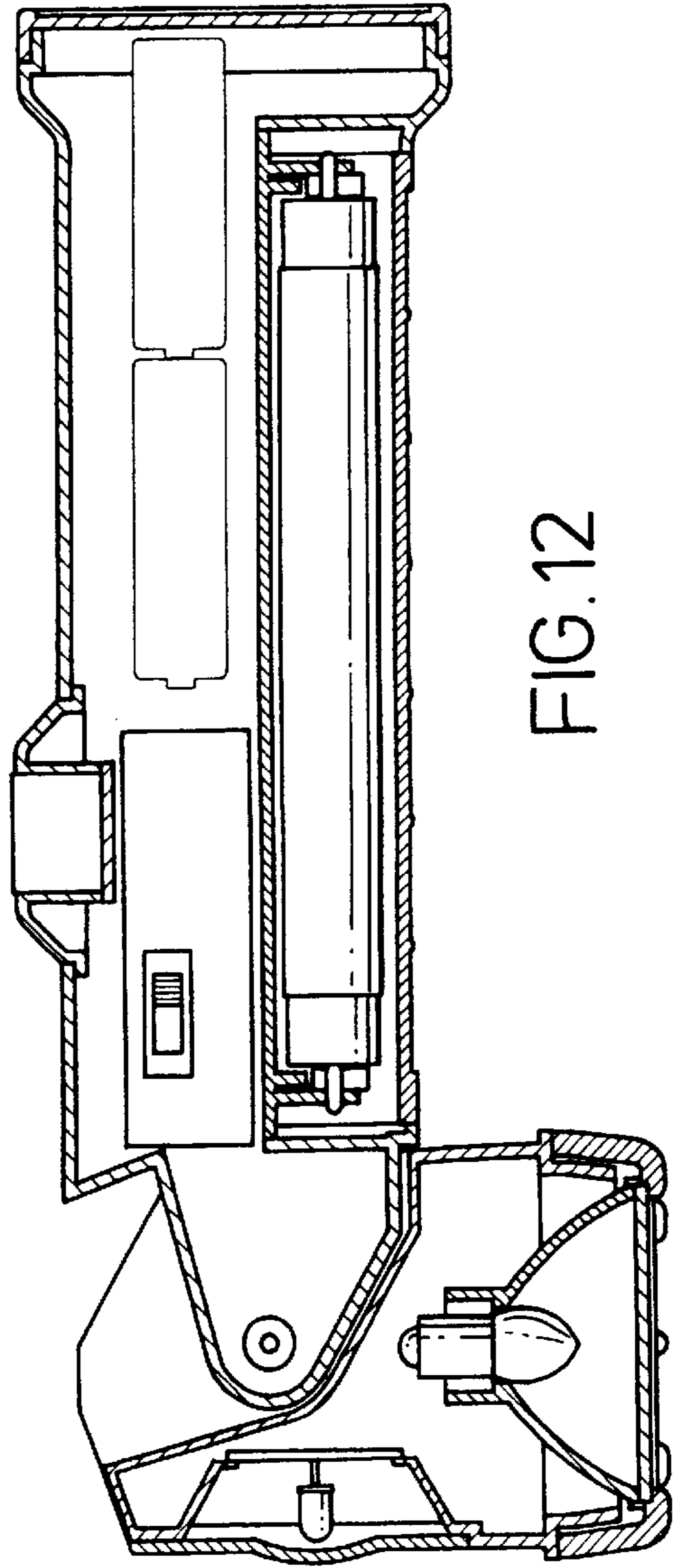


FIG.12