



US00D414575S

United States Patent [19]

Yuen

[11] **Patent Number: Des. 414,575**

[45] **Date of Patent: ** Sep. 28, 1999**

[54] **COMBINED LANTERN AND TOOL HOLDER**

[75] Inventor: **John Se-Kit Yuen**, Kowloon, The Hong Kong Special Administrative Region of the People's Republic of China

[73] Assignee: **John Manufacturing Limited**, Kowloon, The Hong Kong Special Administrative Region of the People's Republic of China

[**] Term: **14 Years**

[21] Appl. No.: **29/088,050**

[22] Filed: **May 14, 1998**

[30] **Foreign Application Priority Data**

Nov. 17, 1997 [GB] United Kingdom 2070562

[51] **LOC (6) Cl.** **26-02**

[52] **U.S. Cl.** **D26/38; D3/274; D3/905**

[58] **Field of Search** **D26/37-50; 362/72, 362/83, 87, 157, 158, 183-208; D14/169, 168**

[56] **References Cited**

U.S. PATENT DOCUMENTS

D. 376,663 12/1996 Yuen .

D. 376,908 12/1996 Hsu D26/38
D. 384,202 9/1997 Gilmore D26/38
D. 389,593 1/1998 Shiro D26/38

FOREIGN PATENT DOCUMENTS

2049724 1/1996 United Kingdom .

Primary Examiner—Marcus A. Jackson
Attorney, Agent, or Firm—Fay, Sharpe, Beall, Fagan, Minnich & McKee

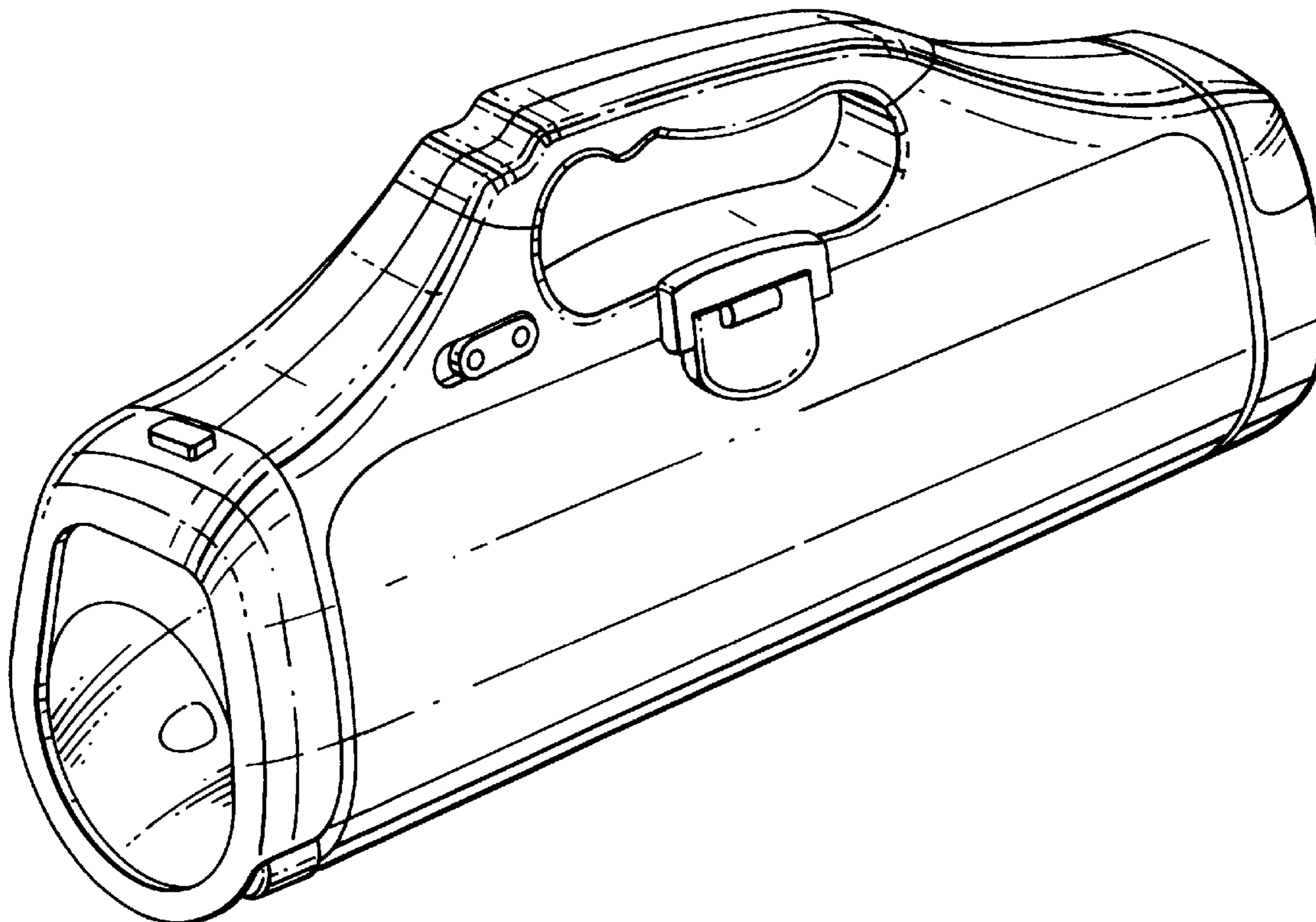
[57] **CLAIM**

The ornamental design for a combined lantern and tool holder, as shown and described.

DESCRIPTION

FIG. 1 is a perspective view of a combined lantern and tool holder showing my new design;
FIG. 2 is a perspective view with tool holder lid open thereof;
FIG. 3 is a front elevational view thereof;
FIG. 4 is a top plan elevational view thereof;
FIG. 5 is a rear elevational view thereof;
FIG. 6 is an underneath plan view thereof;
FIG. 7 is a left side elevational view thereof; and,
FIG. 8 is a right side elevational view thereof.

1 Claim, 4 Drawing Sheets



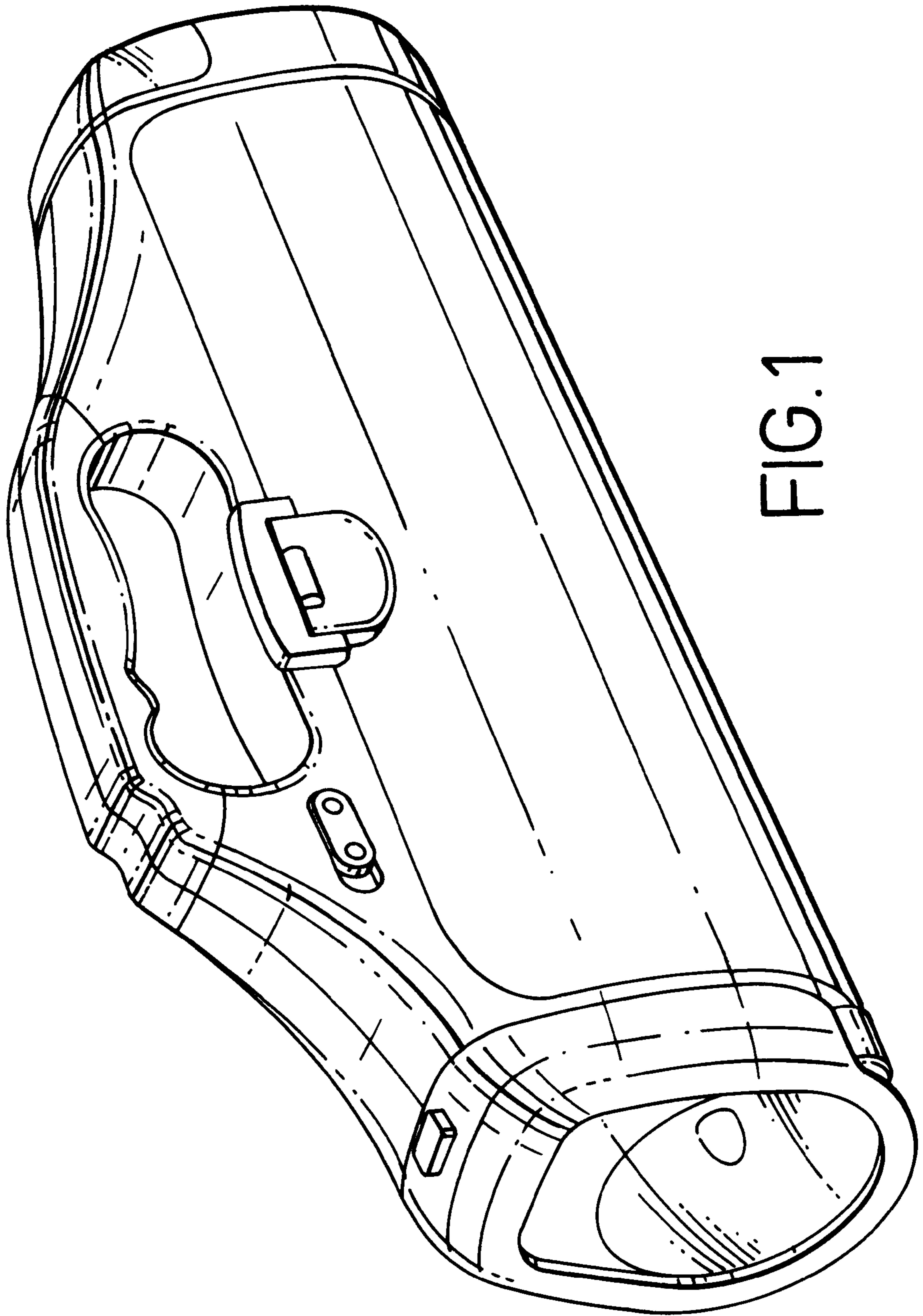


FIG.1

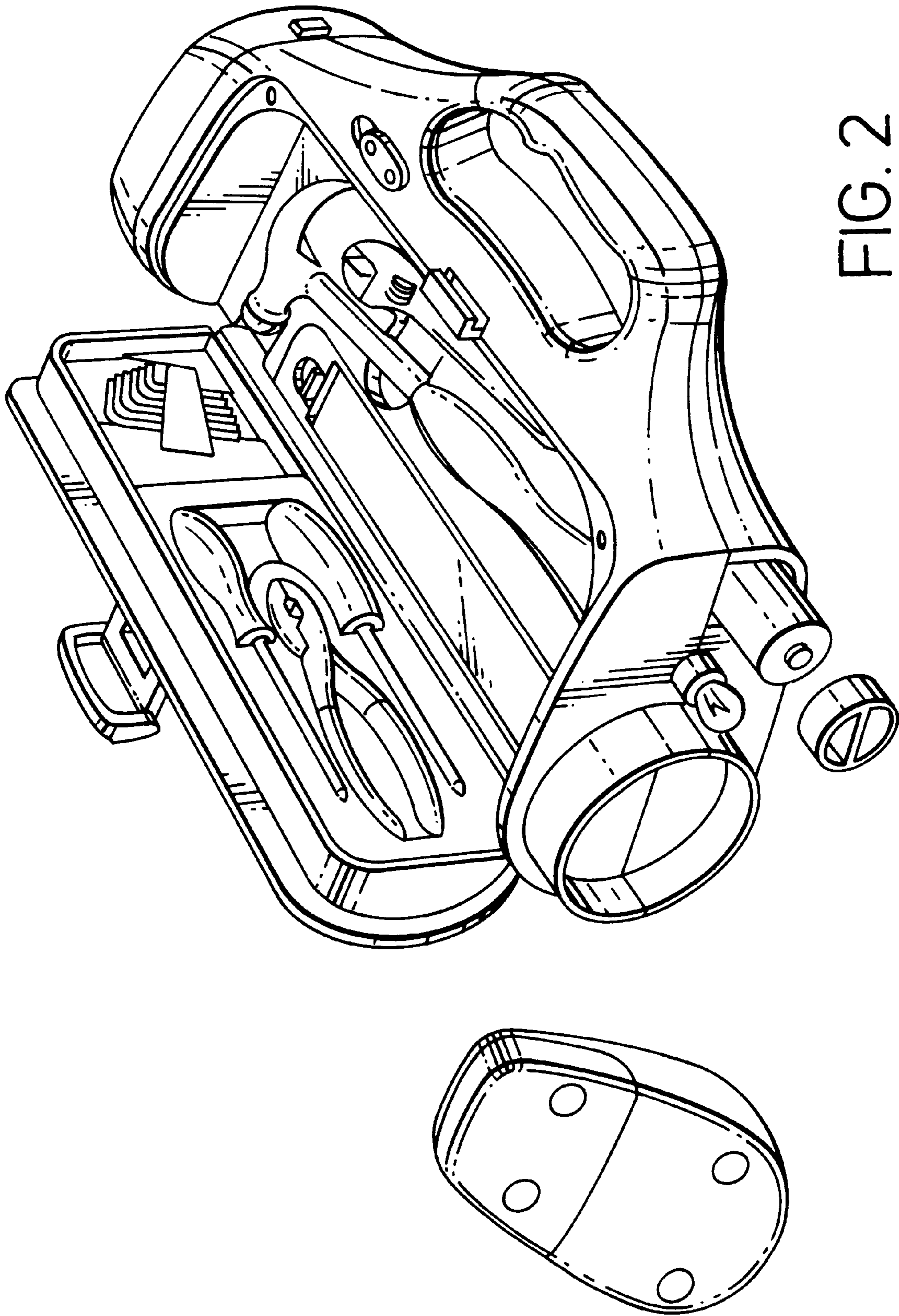


FIG. 2

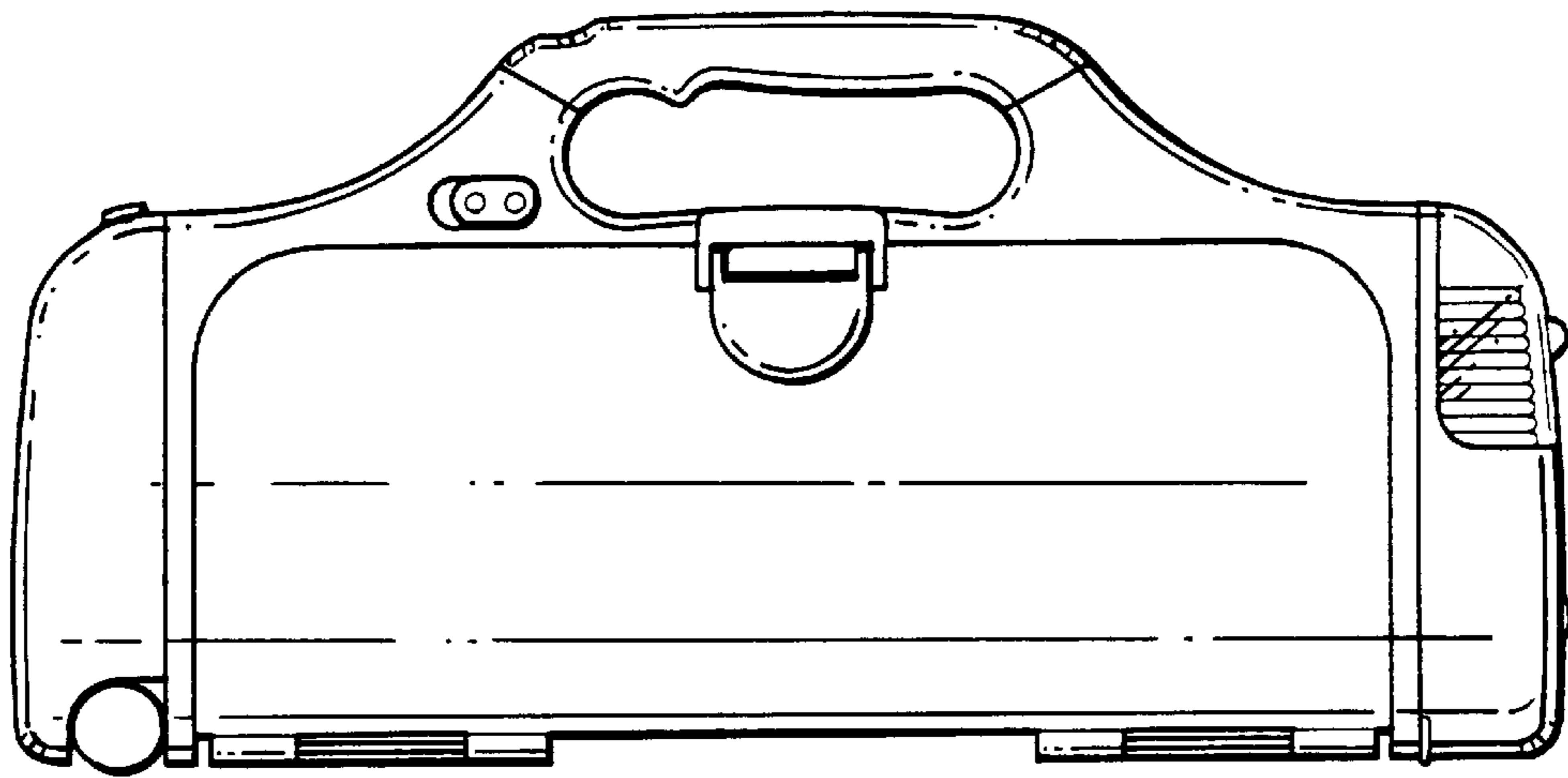


FIG. 3

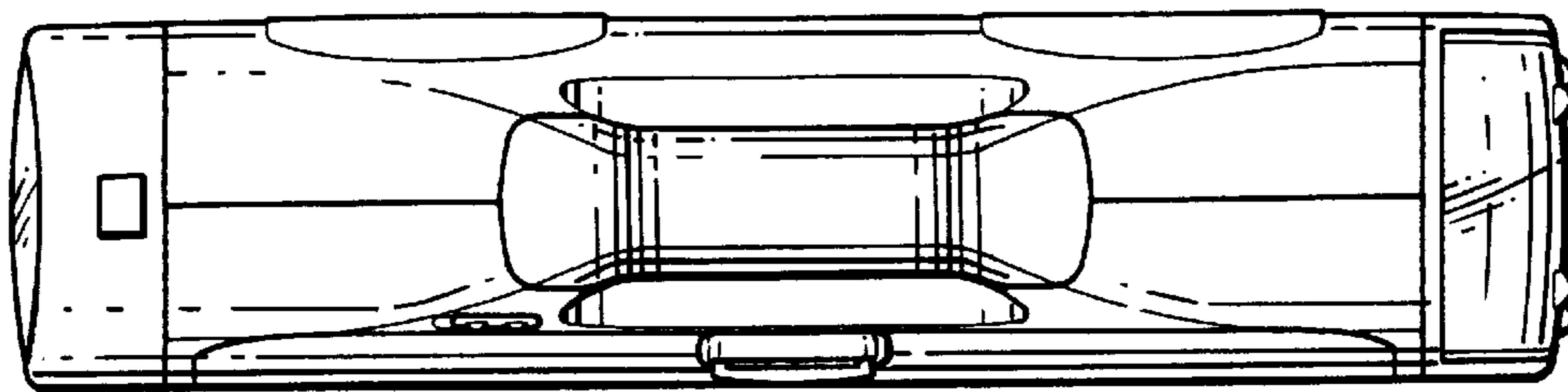


FIG. 4

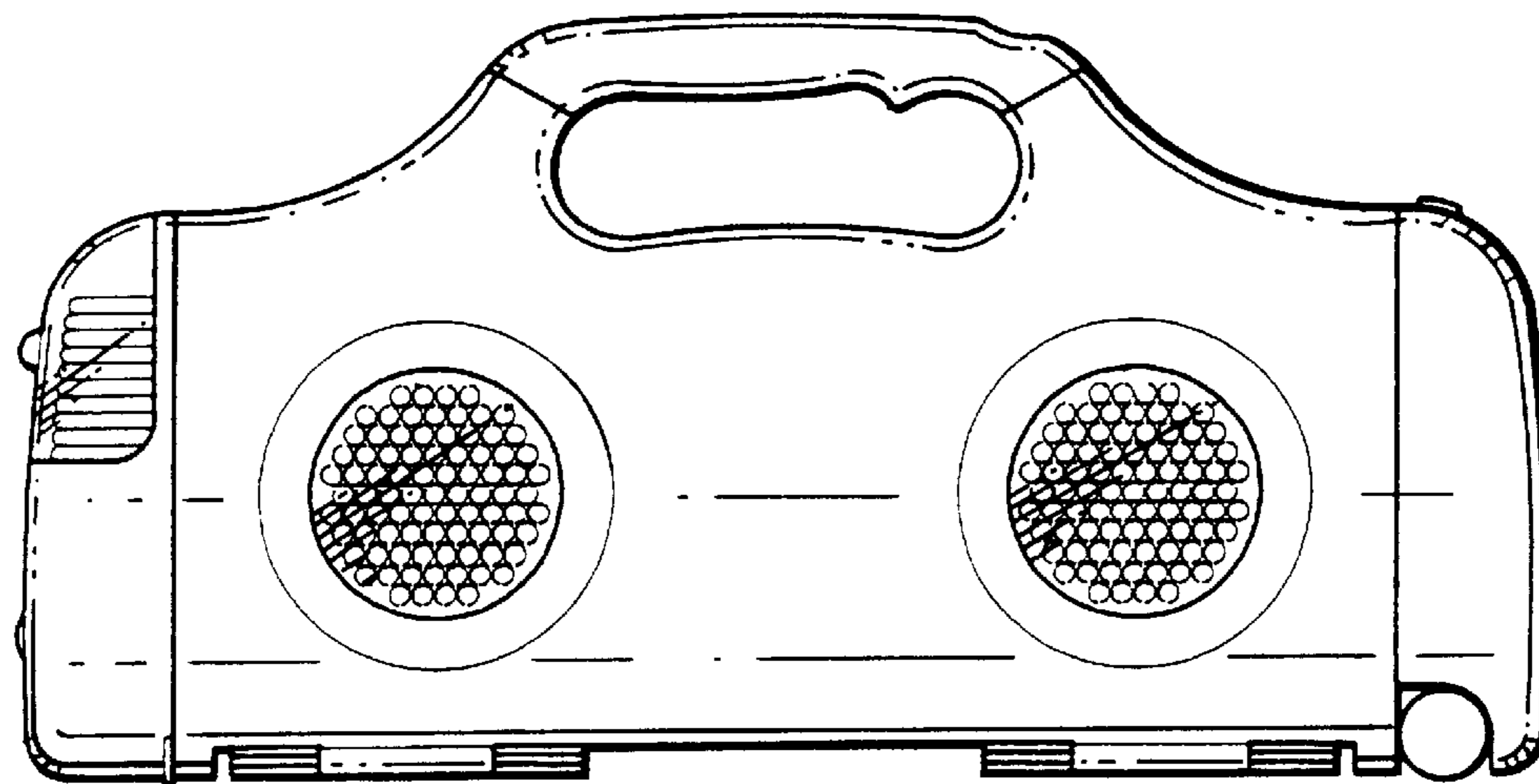


FIG. 5

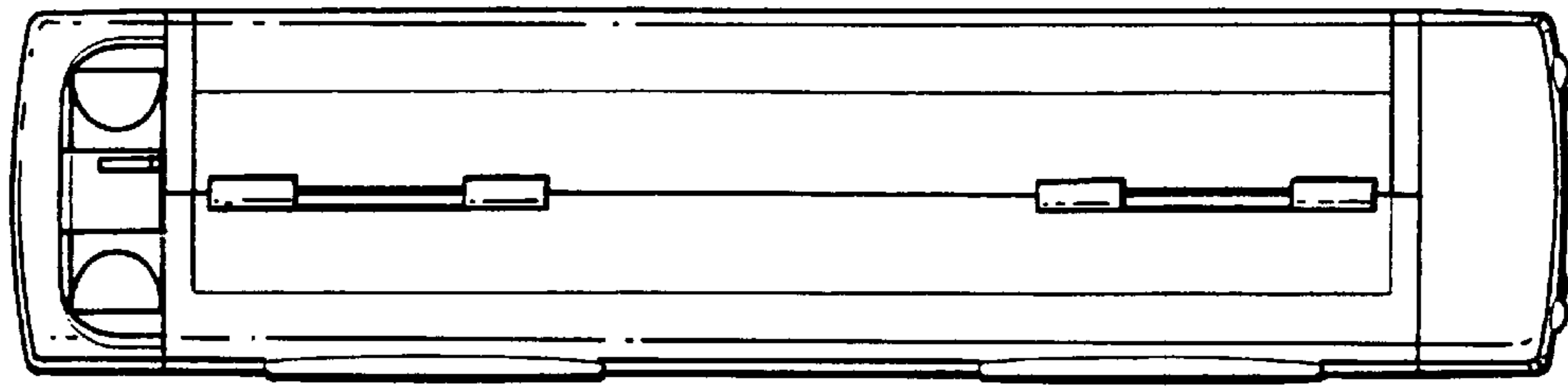


FIG. 6

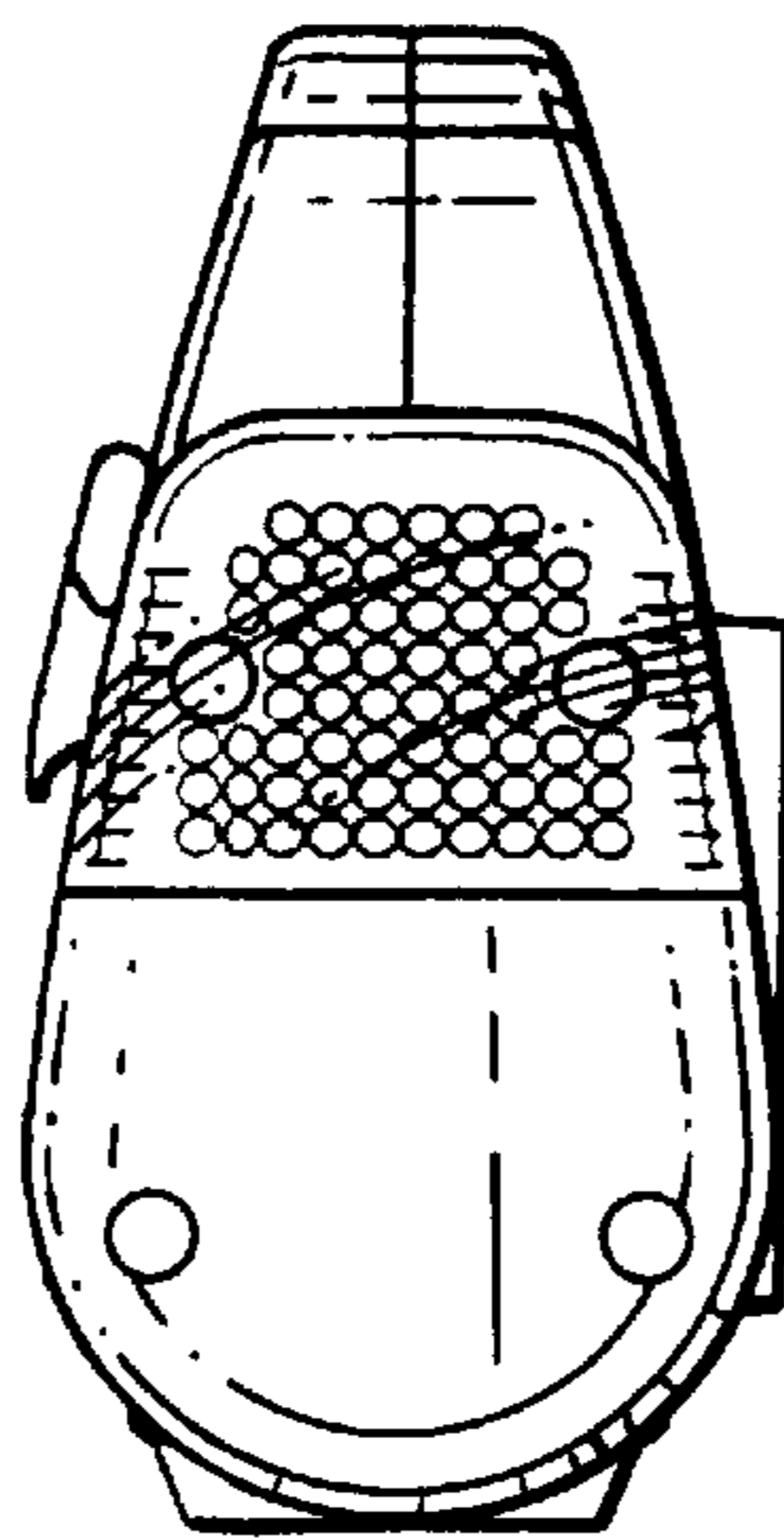


FIG. 7

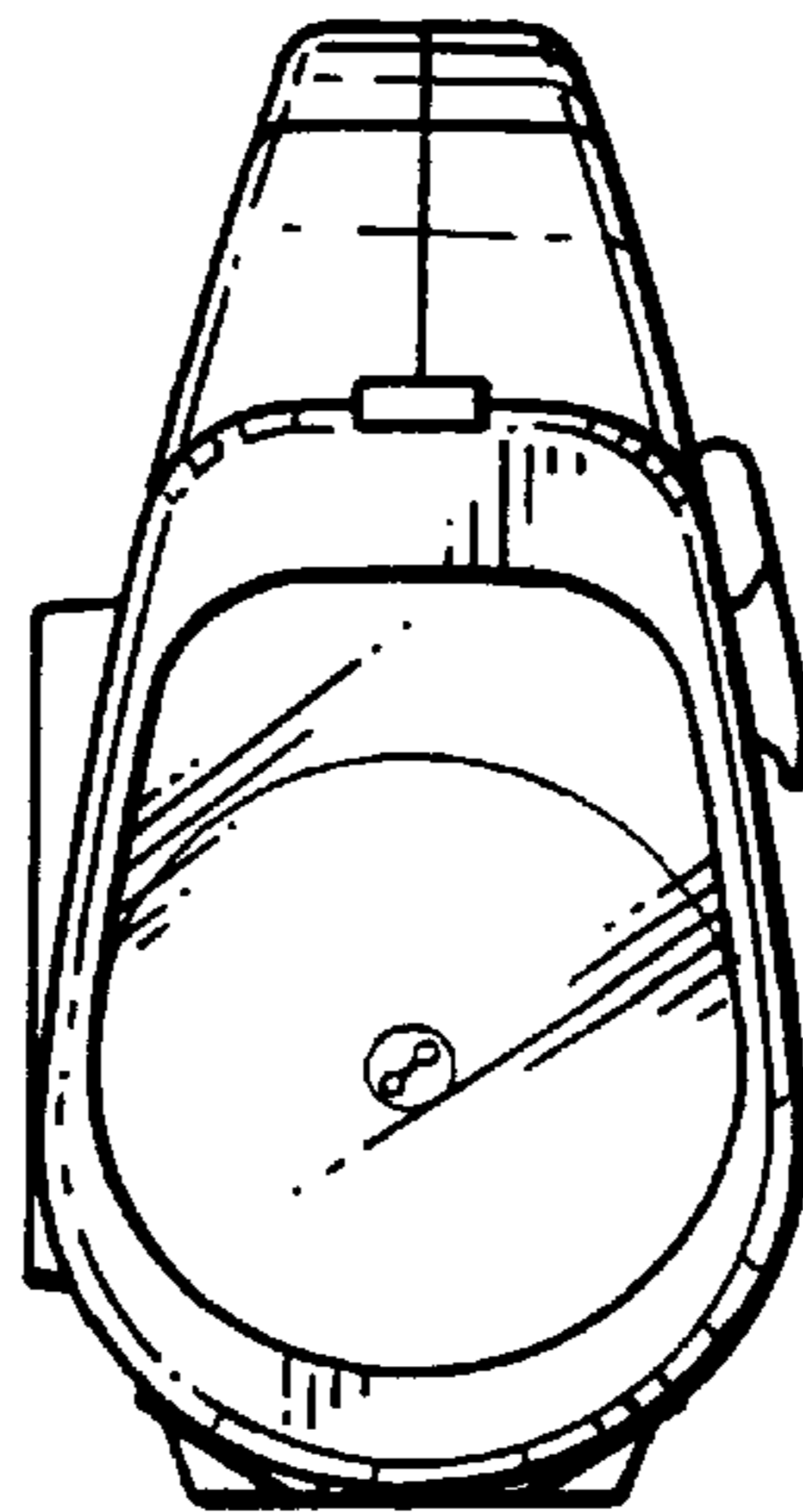


FIG. 8