



US00D414569S

# United States Patent [19]

[11] Patent Number: Des. 414,569

Kato et al.

[45] Date of Patent: \*\* Sep. 28, 1999

[54] **SELF-BALLASTED COMPACT FLUORESCENT LAMPS**

[75] Inventors: **Masayoshi Kato; Takeshi Matsumura; Shiro Iida**, all of Osaka, Japan

[73] Assignee: **Matsushita Electronics Corporation**, Japan

[\*\*] Term: **14 Years**

[21] Appl. No.: **29/098,285**

[22] Filed: **Dec. 24, 1998**

[51] **LOC (6) Cl.** ..... **26-04**

[52] **U.S. Cl.** ..... **D26/3**

[58] **Field of Search** ..... D26/1, 2, 3, 4, D26/26; 313/313, 315, 318, 493; 315/53, 56, 57, 58

97 301533 2/1998 China .  
 97 301683 2/1998 China .  
 97 301724 2/1998 China .  
 97 301725 2/1998 China .  
 97 302023 2/1998 China .  
 77685 6/1979 France .  
 DM/003871 6/1984 Hague Agreement .  
 DM/011712 9/1988 Hague Agreement .  
 DM/017294 8/1990 Hague Agreement .  
 DM/042173 7/1997 Hague Agreement .  
 631924 8/1984 Japan .  
 631926 8/1984 Japan .  
 631926 6/1985 Japan .  
 8-255592 10/1996 Japan .  
 2 035326 11/1993 United Kingdom .  
 2 062441 1/1997 United Kingdom .  
 2 066733 6/1997 United Kingdom .

*Primary Examiner*—Marcus A. Jackson  
*Attorney, Agent, or Firm*—Saidman DesignLaw Group

[56] **References Cited**  
 U.S. PATENT DOCUMENTS

D. 275,948 10/1984 Vakil ..... D26/3  
 D. 283,504 4/1986 Zess ..... D26/3  
 D. 290,110 6/1987 Blaisdell et al. .... D26/3  
 D. 302,860 8/1989 Anema ..... D26/2  
 D. 304,030 10/1989 Vakil ..... D26/3

FOREIGN PATENT DOCUMENTS

96 318751 1/1998 China .  
 97 301218 2/1998 China .  
 97 301221 2/1998 China .  
 97 301222 2/1998 China .  
 97 301223 2/1998 China .  
 97 301224 2/1998 China .  
 97 301318 2/1998 China .

[57] **CLAIM**

The ornamental design for a self-ballasted compact fluorescent lamps, as shown and described.

**DESCRIPTION**

FIG. 1 is a perspective view of the top, front and right side of a self-ballasted compact fluorescent lamps showing our new design, with the broken line showing for illustrative purposes only and forming no part of the claimed design; FIG. 2 is a front view thereof; FIG. 3 is a right side thereof; FIG. 4 is a top plan view thereof; FIG. 5 is a bottom view thereof; FIG. 6 is a rear view thereof; and, FIG. 7 is a left side view thereof.

**1 Claim, 2 Drawing Sheets**

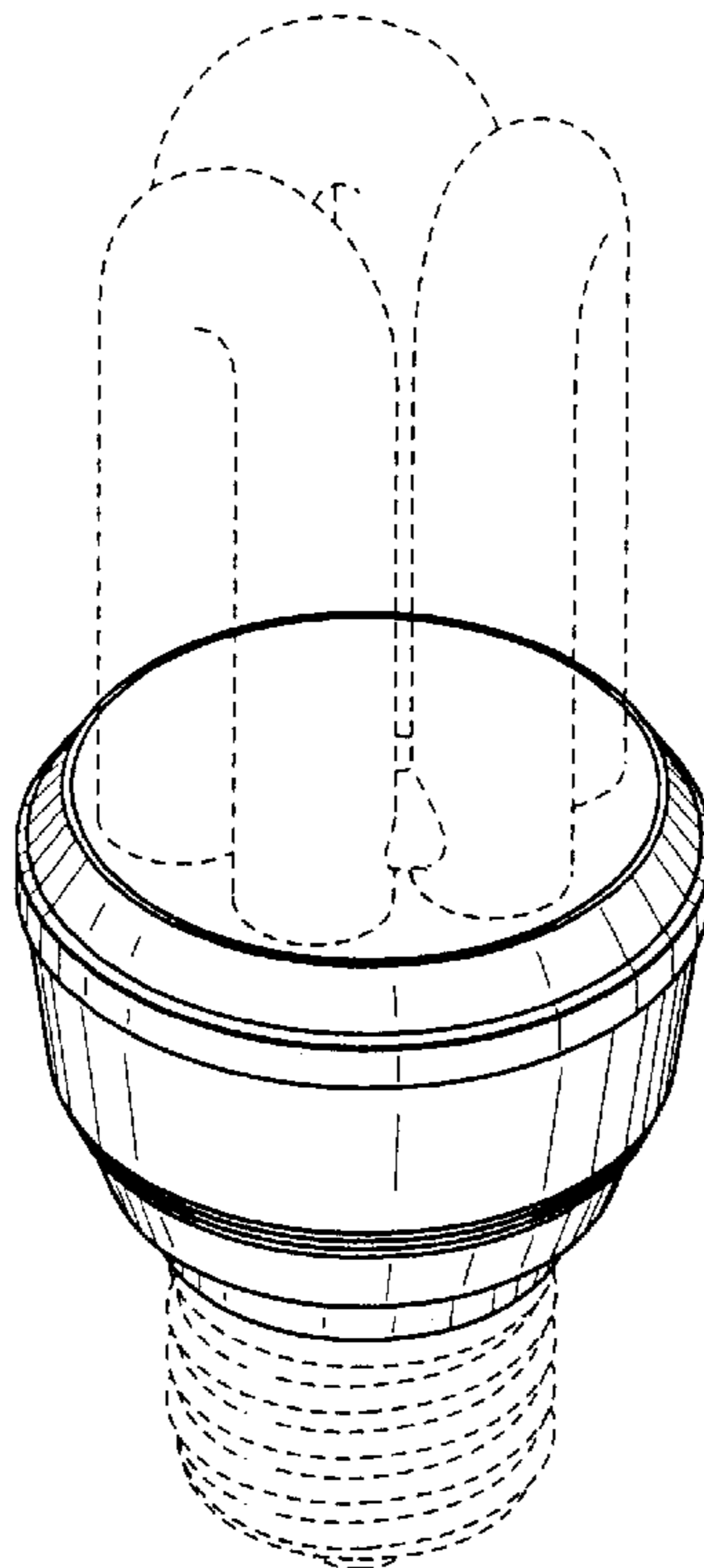


FIG. 1

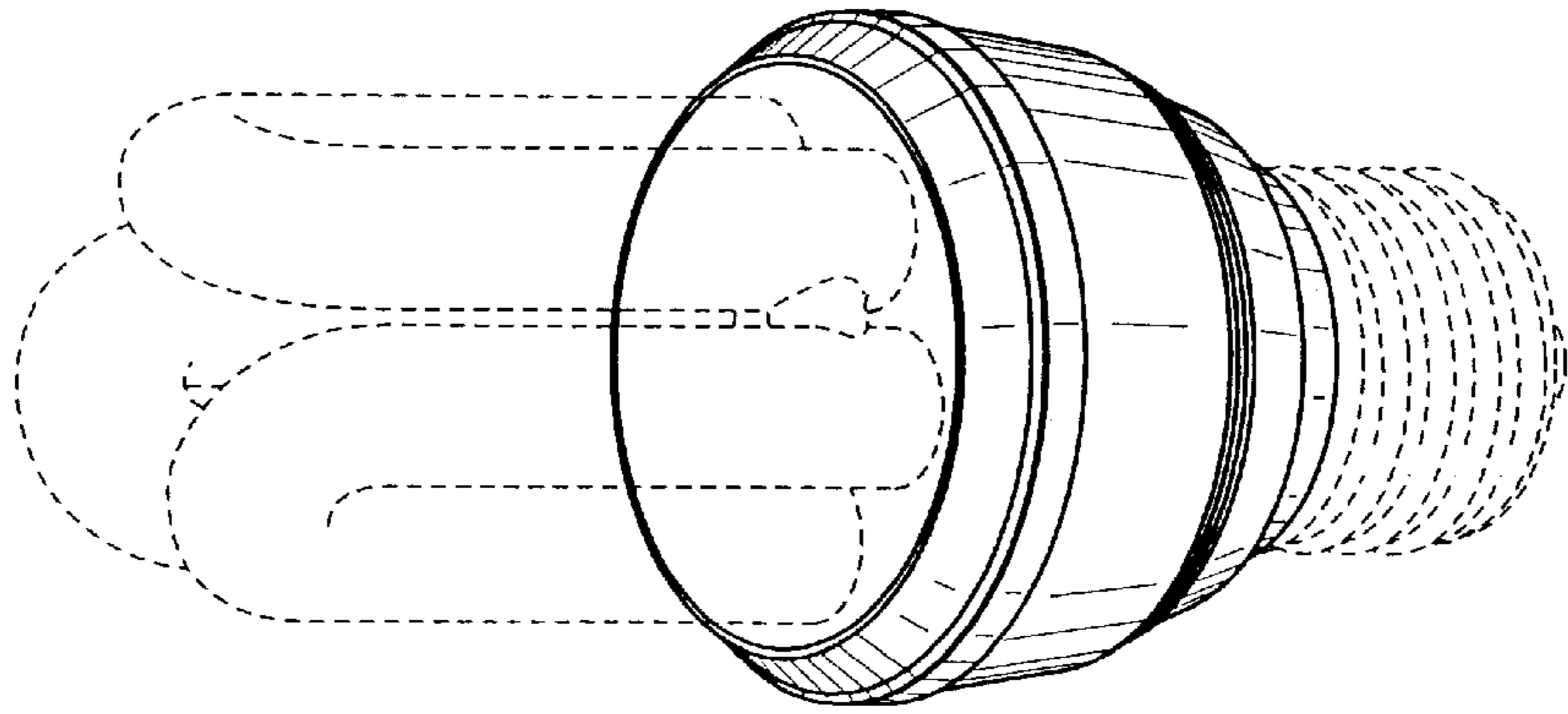


FIG. 2

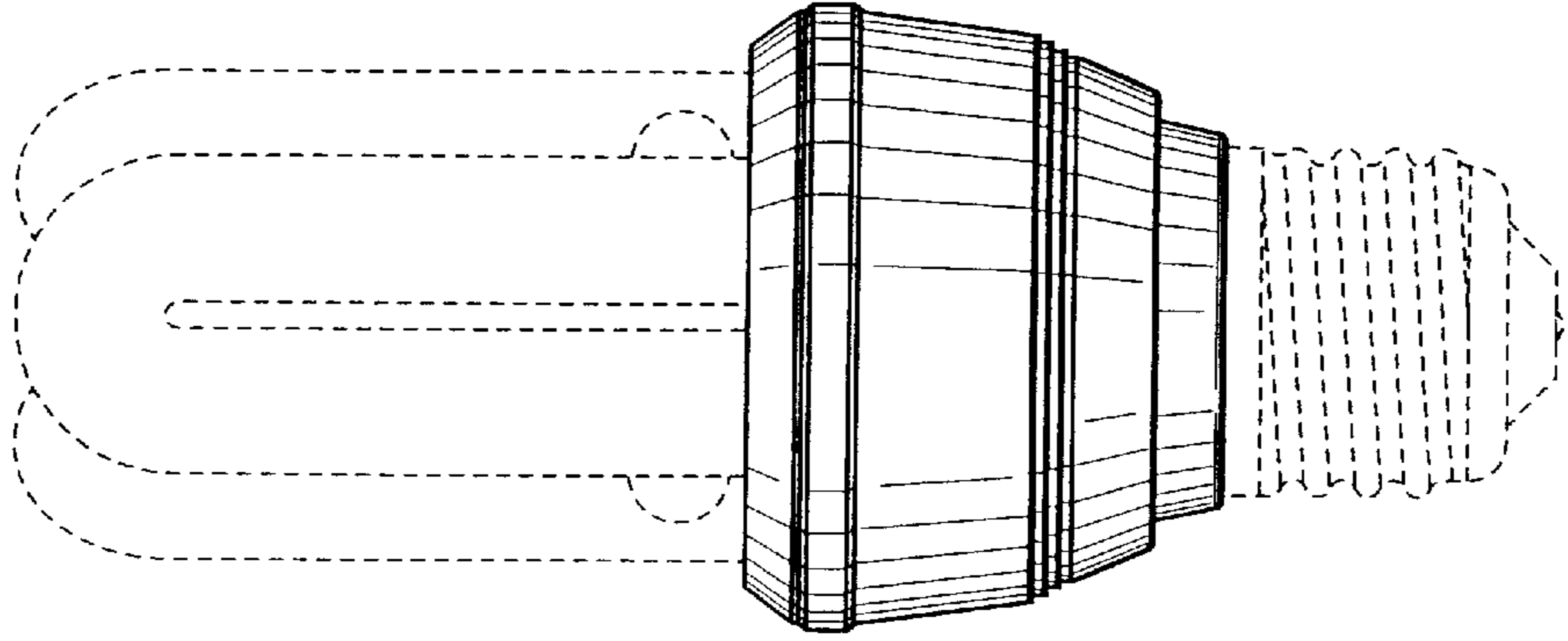
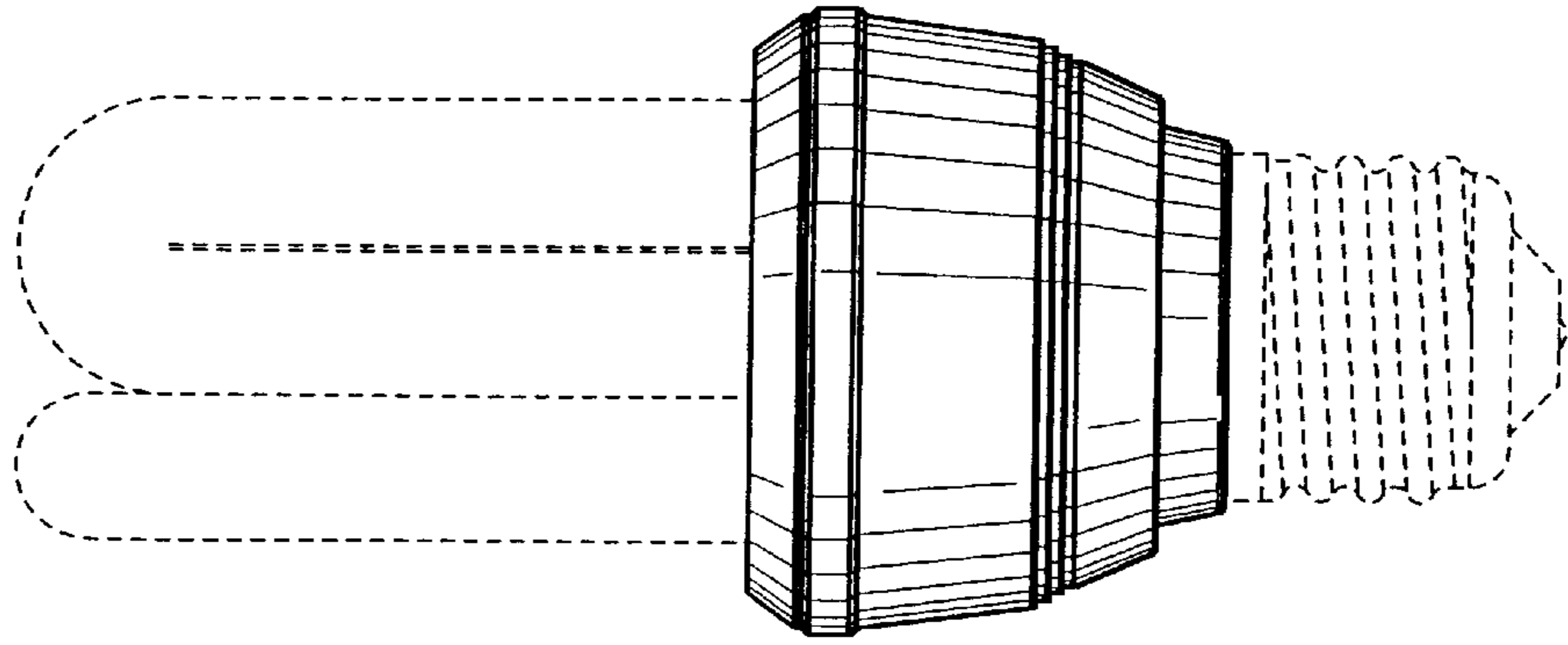
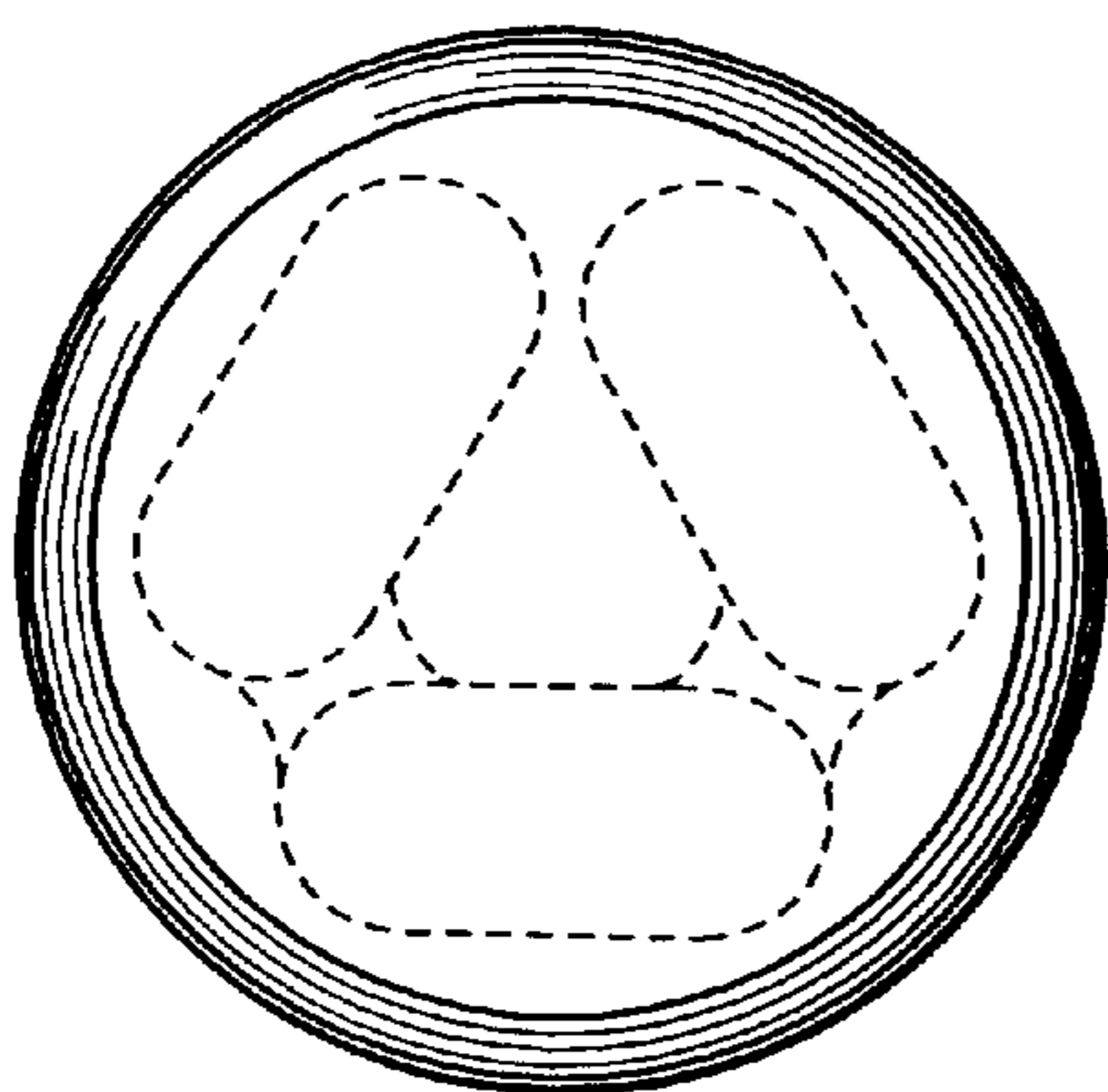


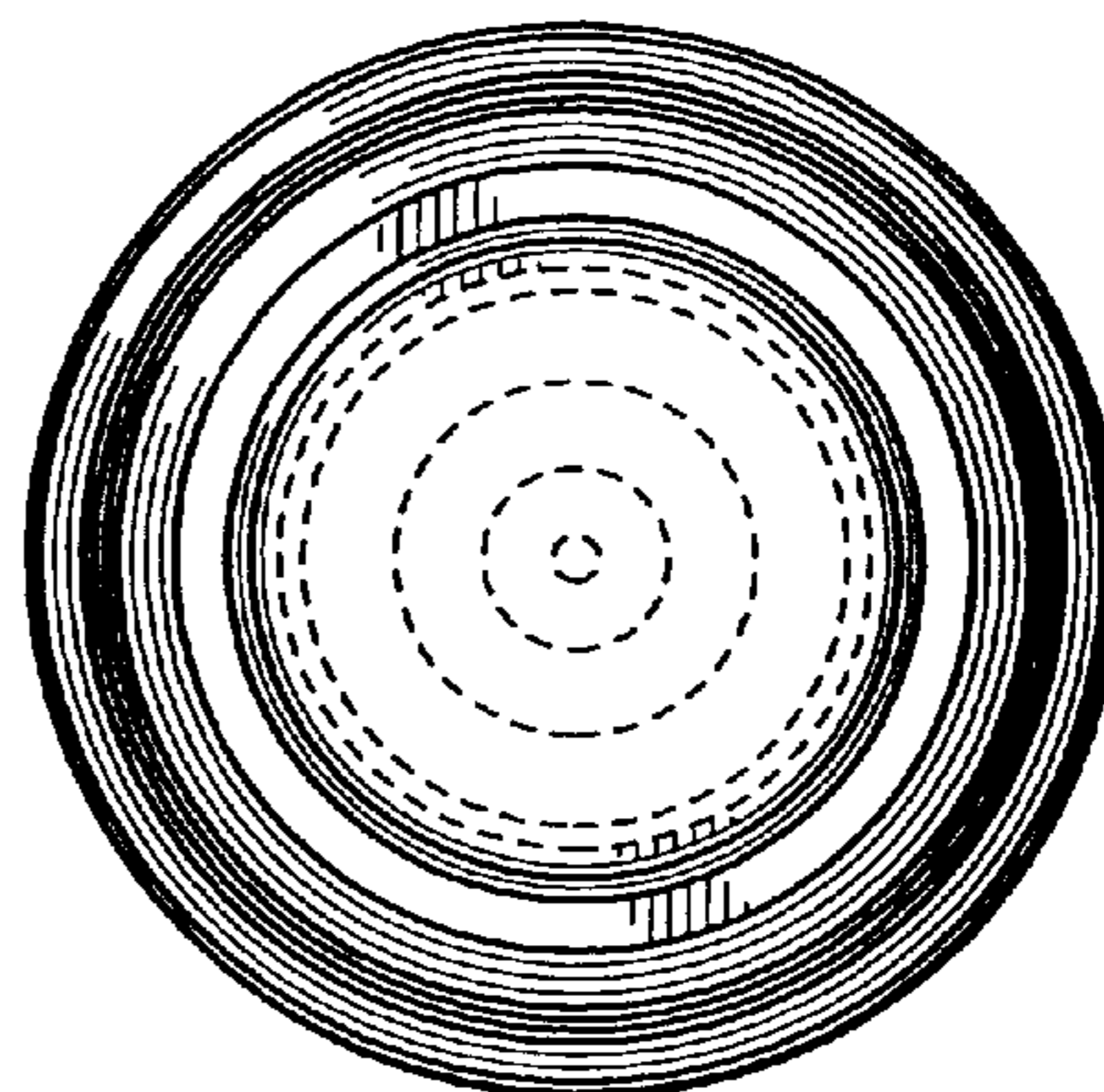
FIG. 3



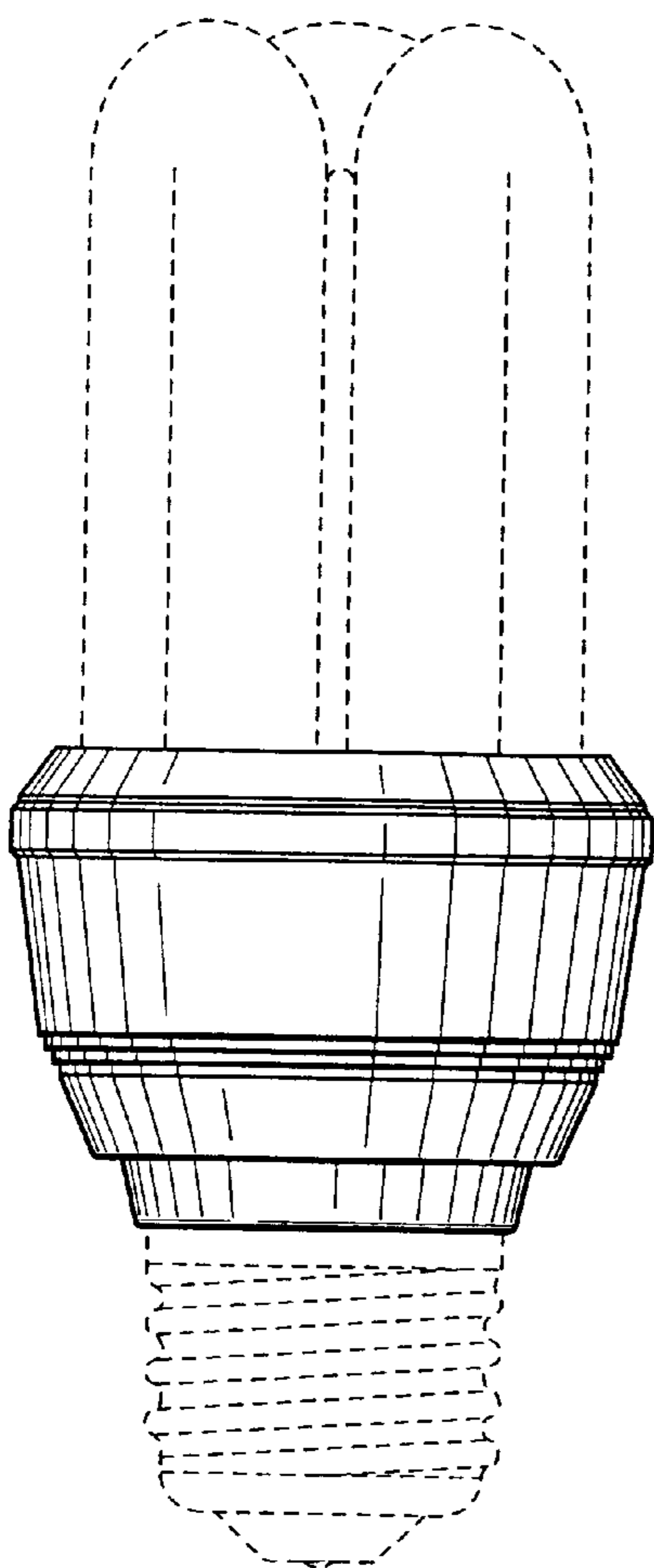
**FIG. 4**



**FIG. 5**



**FIG. 6**



**FIG. 7**

